

# 8I845PE-RZ Schematics

Revision 1.0

SHEET

TITLE

01	COVER SHEET
02	BOM & PCB MODIFY HISTORY
03	BLOCK DIAGRAM
04	P4_478A
05	P4_478B
06	P4_478C
07	GMCH-BROOKDALE-G_A
08	GMCH-BROOKDALE-G_B
09	GMCH-BROOKDALE-G_C
10	DDR SERIAL TERMINATION
11	DDR1 & DDR2
12	DDR3 & DDR TERM.
13	AGP SLOT
14	ICH4_1
15	ICH4_2
16	FWH
17	ICS950211AF CLOCK GEN
18	PCI1 & PCI2 SLOT
19	PCI3 & PCI4 SLOT
20	PCI5 SLOT
21	LPC IO ITE 8702 & FLOPPY & FAN
22	FRONT USB2.0
23	FRONT PANEL

SHEET

TITLE

24	IDE CONNECTOR
25	PS/2 K/B & M/S
26	COM & PRT PORT
27	AC97 CODEC
28	LINE OUT/IN/MIC/FRONT AUDIO & GAME
29	VGA CONNECTOR
30	MISC. PWR & ATX POWER
31	VCORE PWM(FAN5093)
32	DDR POWER
33	REALTEK8110C
34	PCI ROUNTING
35	GPIO PIN LIST

<b>GIGABYTE</b>			
Title COVER SHEET			
Size	Document Number	Rev	
Custom	8I845PE-RZ	1.0	
Date:	星期四, 二月 26, 2004	Sheet	1 of 35

Model Name: 8I845PE-RZ

Version:1.0

29.3cm X 21.0cm 60+-15% C Type

Component value change history

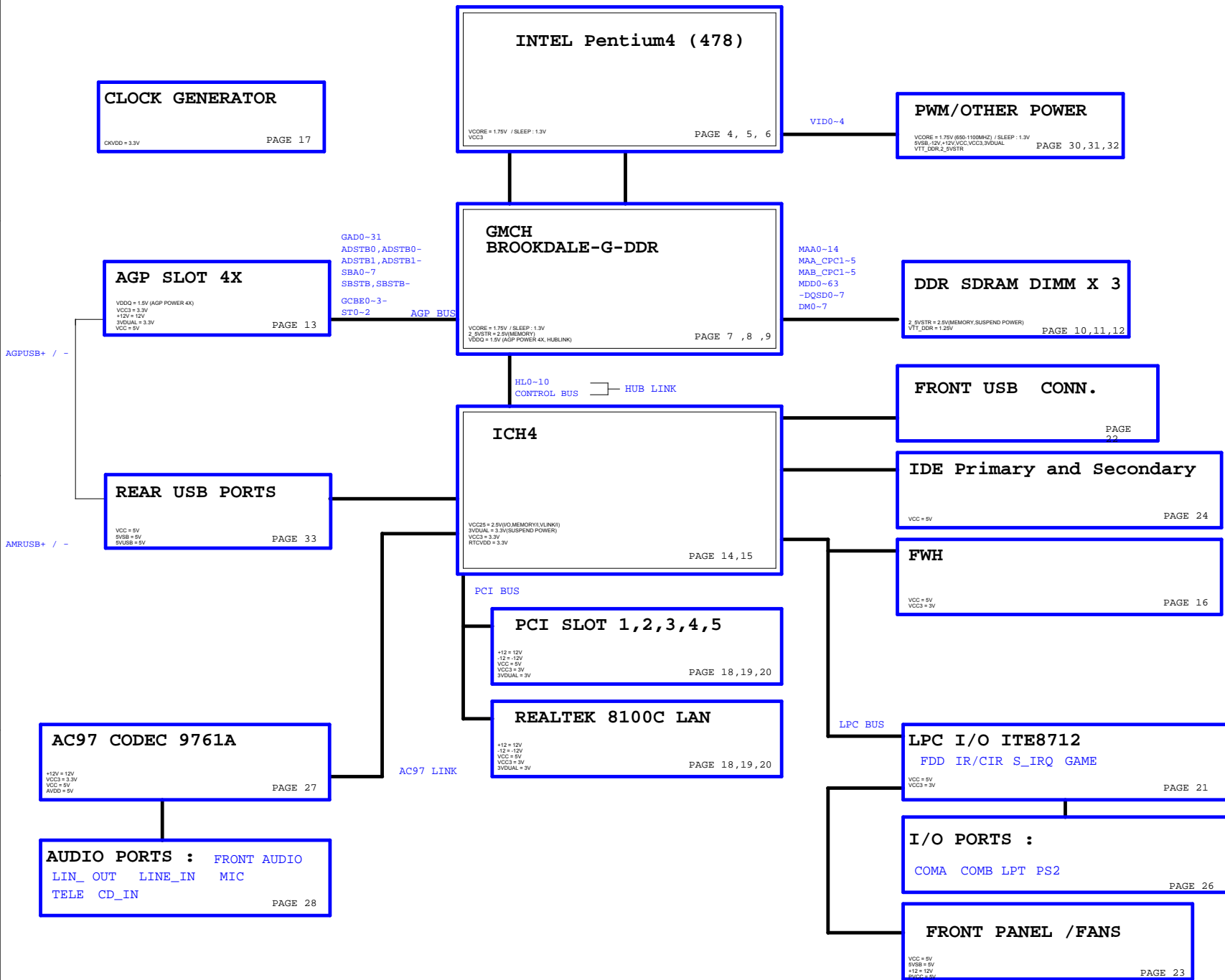
DATE	Change Item	Reason
2004/01/14	1.0A NEW BOM RELEASE	
2004/02/03	1.0A ECN CHANGE DIRVER CD.	
2004/02??	Remember to add EMI solution	

Circuit or PCB layout change for next version

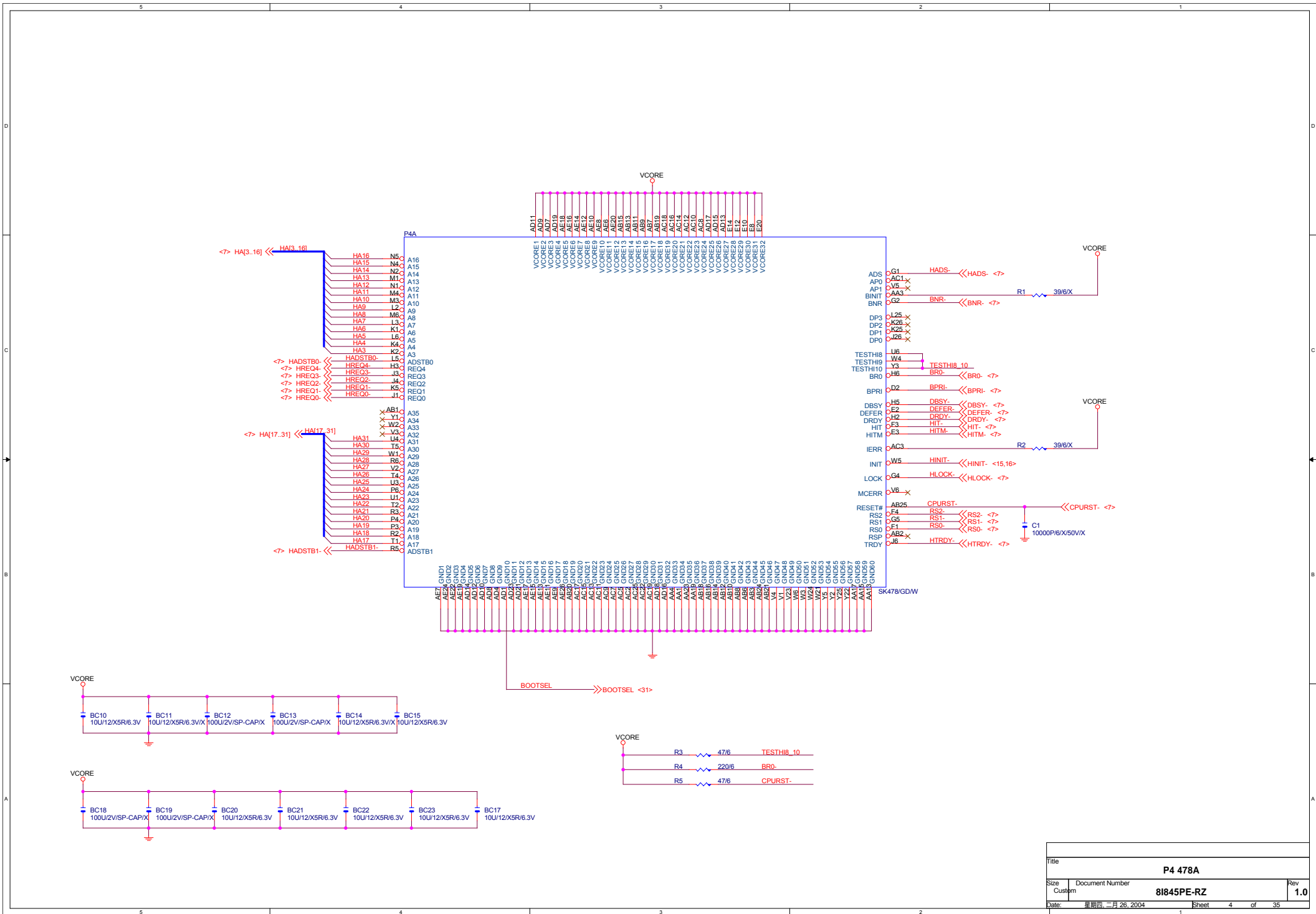
DATE	Change Item	Reason
2004/01/14	1.0 GERBER OUT.	

<b>GIGABYTE</b>		
Title: BOM & PCB MODIFY HISTORY		
Size Custom	Document Number: 8I845PE-RZ	Rev: 1.0
Date: 星期四, 二月 26, 2004	Sheet 2 of 35	

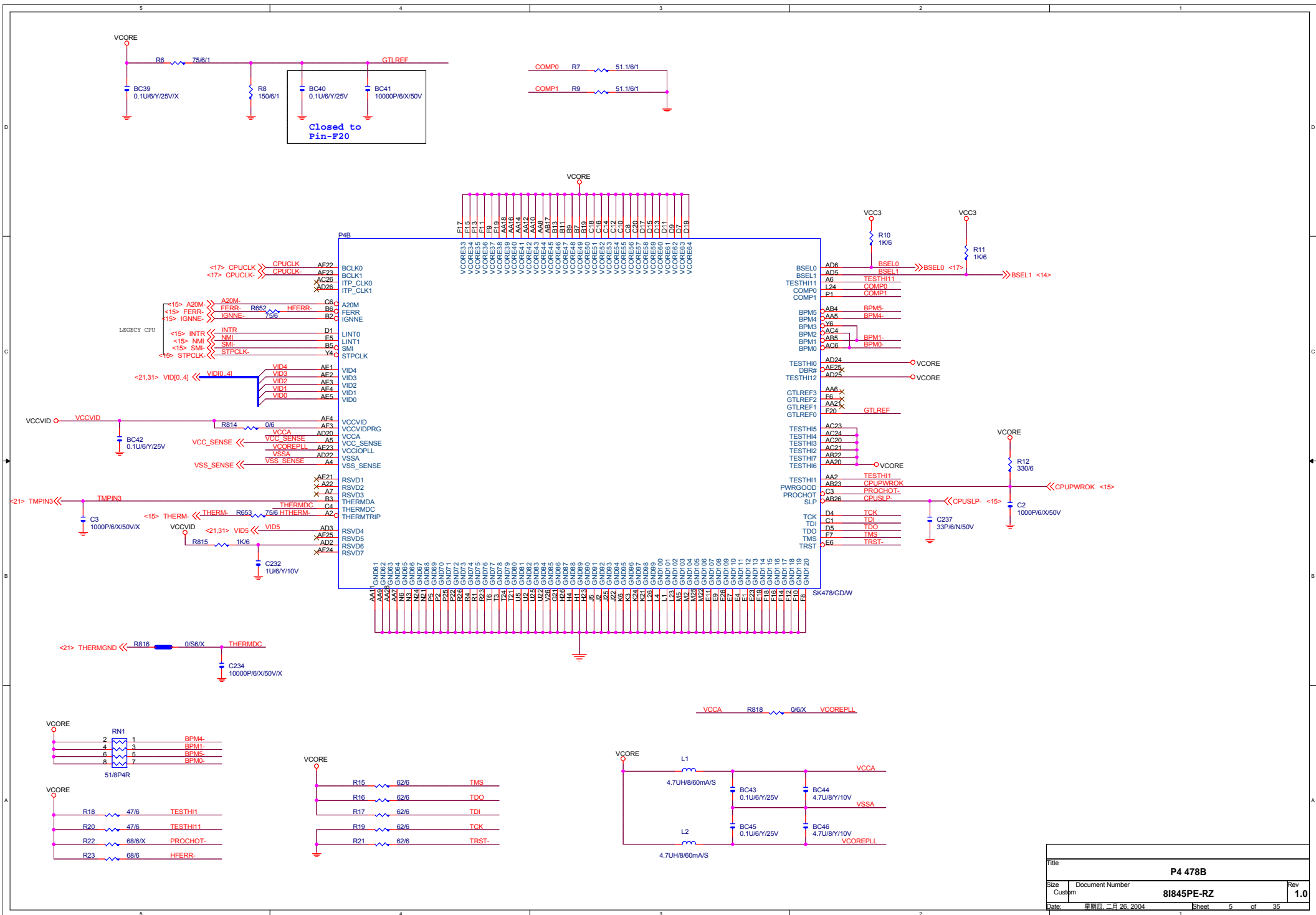
# BLOCK DIAGRAM



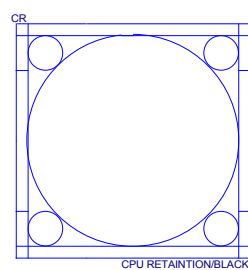
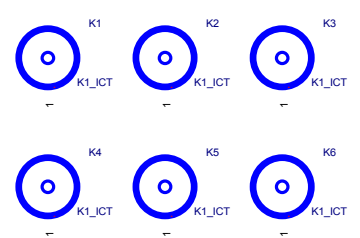
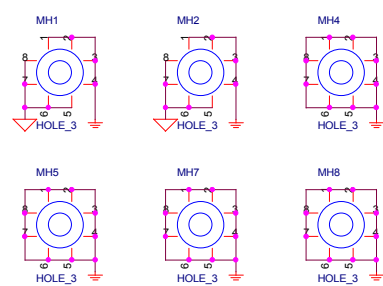
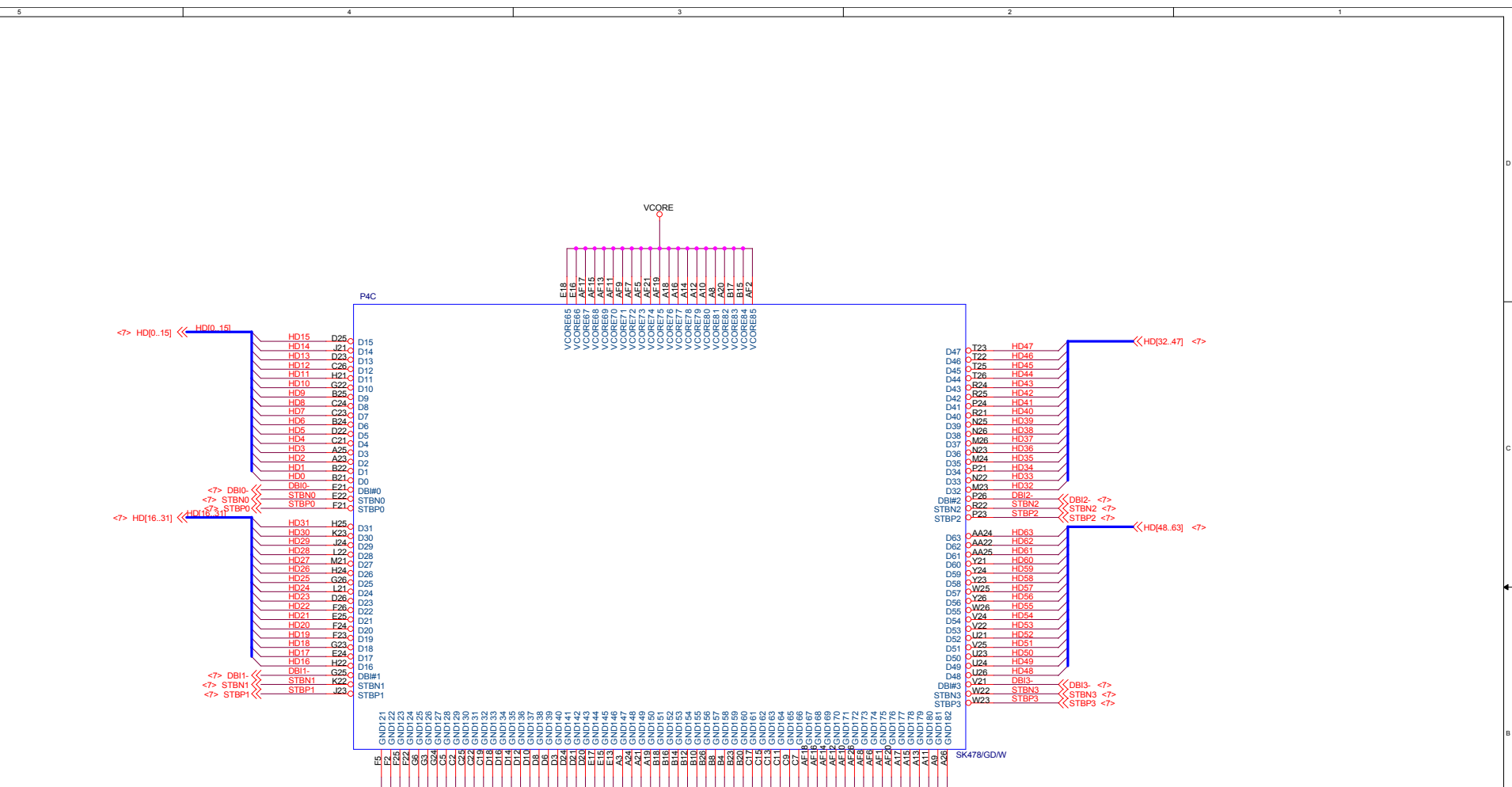
<b>GIGABYTE</b>			
<b>BOM &amp; PCB MODIFY HISTORY</b>			
File	Document Number	Rev	
Size	81845PE-RZ	1.0	
Custom			
Date	2004-08-26	Sheet	3 of 35



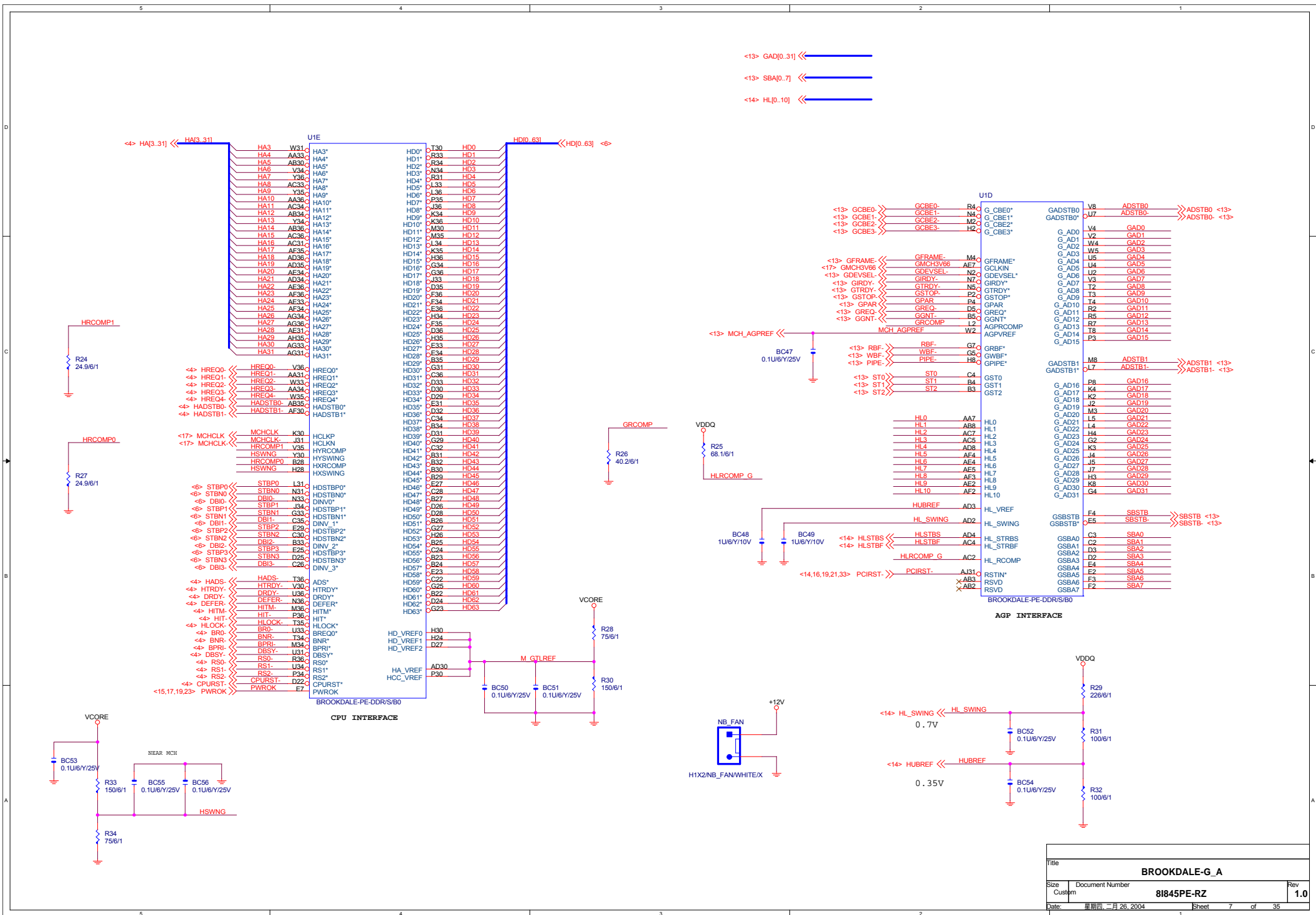
Title		
P4 478A		
Size	Document Number	Rev
Custom	81845PE-RZ	1.0
Date:	星期四, 二月 26, 2004	Sheet 4 of 35



Title			P4 478B		
Size	Document Number			Rev	1.0
Custom	81845PE-RZ				
Date:	星期四, 二月 26, 2004	Sheet	5	of	35



Title		
<b>P4 478C</b>		
Size	Document Number	Rev
Custom	<b>81845PE-RZ</b>	<b>1.0</b>
Date:	星期四, 二月 26, 2004	Sheet 6 of 35

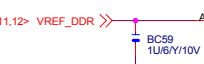
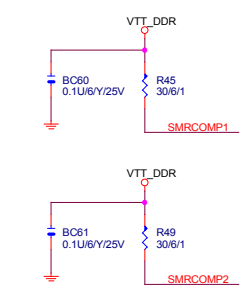


Title		
<b>BROOKDALE-G_A</b>		
Size	Document Number	Rev
Custom	<b>81845PE-RZ</b>	<b>1.0</b>
Date:	星期二, 二月 26, 2004	Sheet 7 of 35

<11,12> MAA[0..12] >> MAA0..12  
 <11,12> MAA\_CPC[1..5] >> MAA\_CPC1..5  
 <11,12> MAB\_CPC[1..5] >> MAB\_CPC1..5  
 <10> DM[0..7] >> DM0..7  
 <10> MD[0..63] >> MD0..63  
 <10> -DQS[0..7] >> -DQS0..7

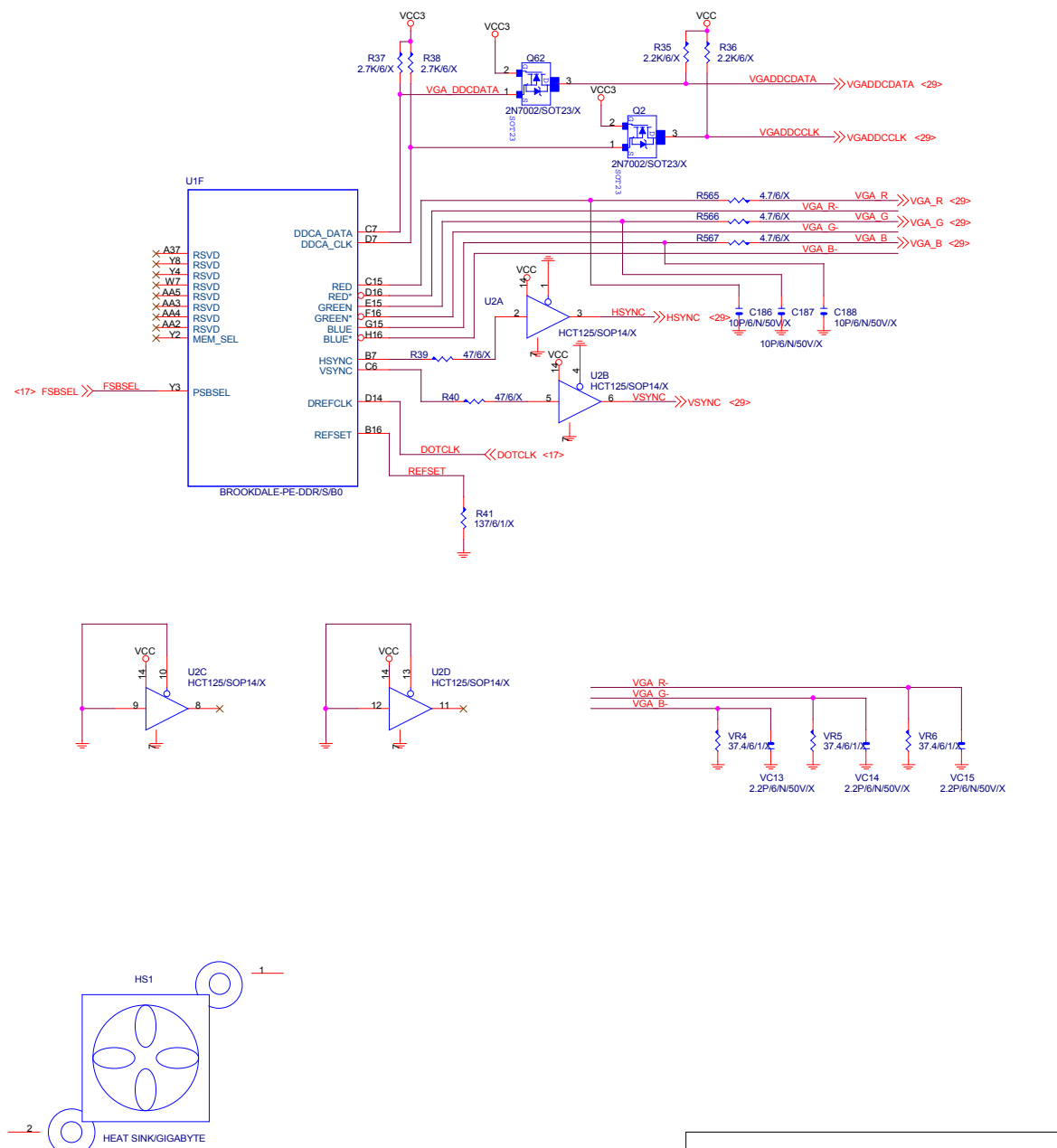
U1C  
 MAA0 AL25  
 MAA\_CPC1 AN25  
 MAA\_CPC2 AR23  
 MAA3 AK20  
 MAA\_CPC4 AL19  
 MAA\_CPC5 AL17  
 MAA6 AP28  
 MAA7 AP17  
 MAA8 AN17  
 MAA9 AK18  
 MAA10 AK25  
 MAA11 AL15  
 MAA12 AN15  
 SMAA0  
 SMAA1  
 SMAA2  
 SMAA3  
 SMAA4  
 SMAA5  
 SMAA6  
 SMAA7  
 SMAA8  
 SMAA9  
 SMAA10  
 SMAA11  
 SMAA12  
 SMAB1  
 SMAB2  
 SMAB3  
 SMAB4  
 SMAB5  
 SWE\* AP29C  
 SCASA AN29C  
 SRASA AK28C  
 SBA0  
 SBA1  
 SCS0\* AL29C  
 SCS1\* AP31C  
 SCS2\* AK30C  
 SCS3\* AN31C  
 SCKE0 AP13  
 SCKE1 AN13  
 SCKE2 AK14  
 SCKE3 AL13  
 SCMD\_CLK0  
 SCMD\_CLK0\*  
 SCMD\_CLK1  
 SCMD\_CLK1\*  
 SCMD\_CLK2  
 SCMD\_CLK2\*  
 SCMD\_CLK3  
 SCMD\_CLK3\*  
 SCMD\_CLK4  
 SCMD\_CLK4\*  
 SCMD\_CLK5  
 SCMD\_CLK5\*  
 SRCVEN\_OUT\*  
 SRCVEN\_IN\*  
 SM\_VREF  
 SMXRCOMP1 AF10  
 SMXRCOMP2 AJ34  
 SMXRCOMP1 AD16

Total trace = 100 mils



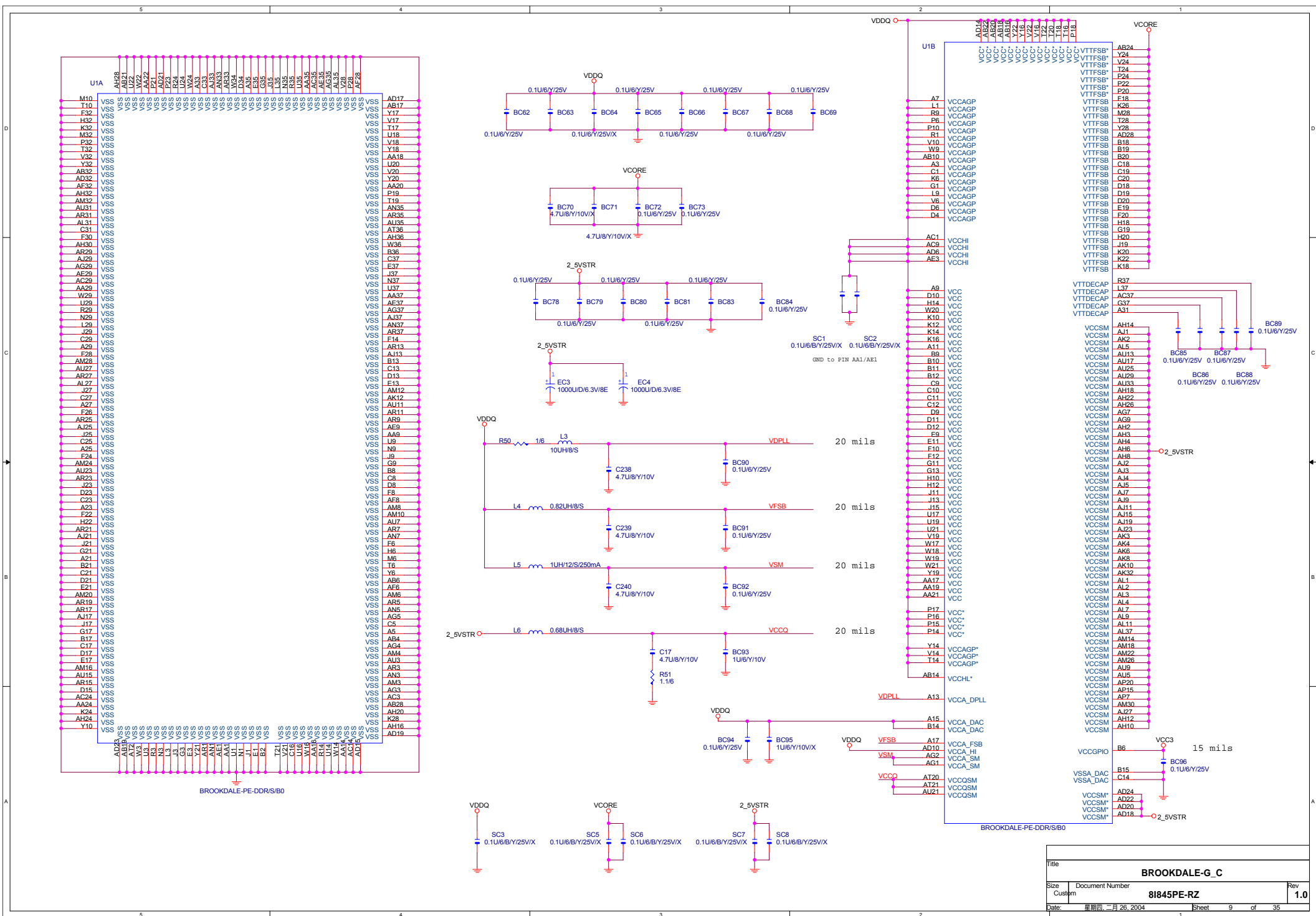
SDQS0	AR2	-DQS0
SDM0	AP4	DM0
SDQ0	AN4	MD0
SDQ1	AP2	MD1
SDQ2	AT3	MD2
SDQ3	AP5	MD3
SDQ4	AN2	MD4
SDQ5	AP3	MD5
SDQ6	AR4	MD6
SDQ7	AT4	MD7
SDQS1	AT7	-DQS1
SDM1	AR8	DM1
SDQ8	AT5	MD8
SDQ9	AR6	MD9
SDQ10	AT9	MD10
SDQ11	AT6	MD12
SDQ12	AT8	MD14
SDQ13	AP6	MD13
SDQ14	AT8	MD15
SDQ15	AR8	MD15
SDQS2	AT12	-DQS2
SDM2	AP12	DM2
SDQ16	AP10	MD16
SDQ17	AT11	MD17
SDQ18	AT13	MD18
SDQ19	AT14	MD19
SDQ20	AT10	MD20
SDQ21	MD21	
SDQ22	AP14	MD23
SDQ23	AT17	-DQS3
SDM3	AR18	DM3
SDQ24	AT15	MD24
SDQ25	AP16	MD25
SDQ26	AT18	MD26
SDQ27	AT19	MD27
SDQ28	AR16	MD28
SDQ29	AT16	MD29
SDQ30	AP18	MD30
SDQ31	AR20	MD31
SDQS4	AR24	-DQS4
SDM4	AT24	DM4
SDQ32	AR22	MD32
SDQ33	AP22	MD33
SDQ34	AP24	MD34
SDQ35	AT26	MD35
SDQ36	AT22	MD36
SDQ37	AT23	MD37
SDQ38	AT25	MD38
SDQ39	AR26	MD39
SDQS5	AT29	-DQS5
SDM5	AP28	DM5
SDQ40	AP26	MD40
SDQ41	AT28	MD41
SDQ42	AR30	MD42
SDQ43	AP30	MD43
SDQ44	AT27	MD44
SDQ45	AR28	MD45
SDQ46	AT30	MD46
SDQ47	AT31	MD47
SDQS6	AT34	-DQS6
SDM6	AR34	DM6
SDQ48	AR32	MD48
SDQ49	AT32	MD49
SDQ50	AR36	MD50
SDQ51	AP35	MD51
SDQ52	AT33	MD53
SDQ53	NC	
SDQ54	AP34	MD54
SDQ55	AT35	MD55
SDQS7	AL36	-DQS7
SDM7	AL34	DM7
SDQ56	AN36	MD56
SDQ57	AM36	MD57
SDQ58	AK36	MD58
SDQ59	AJ36	MD59
SDQ60	AP36	MD60
SDQ61	AM35	MD61
SDQ62	AK35	MD62
SDQ63	AK34	MD63

BROOKDALE-PE-DDR/S/B0  
 DDR INTERFACE



Title			
BROOKDALE-G_B			
Size	Document Number	Rev	
Custom	81845PE-RZ	1.0	
Date:	星期四, 二月 26, 2004	Sheet	8 of 35





Title		
<b>BROOKDALE-G_C</b>		
Size	Document Number	Rev
Custom	<b>81845PE-RZ</b>	<b>1.0</b>
Date:	星期四, 二月 26, 2004	Sheet 9 of 35

<11,12> MD[0..63] << MD[0..63] <-8>

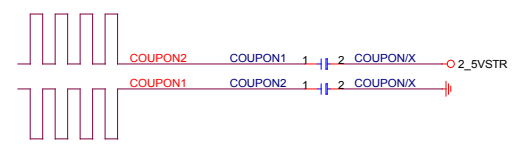
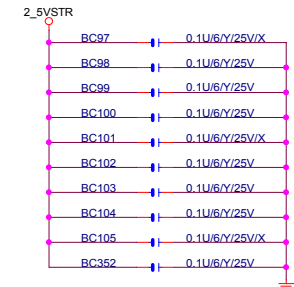
<11,12> DM[0..7] << DM[0..7] <-8>

<11,12> -DQS[0..7] << -DQS[0..7] <-8>

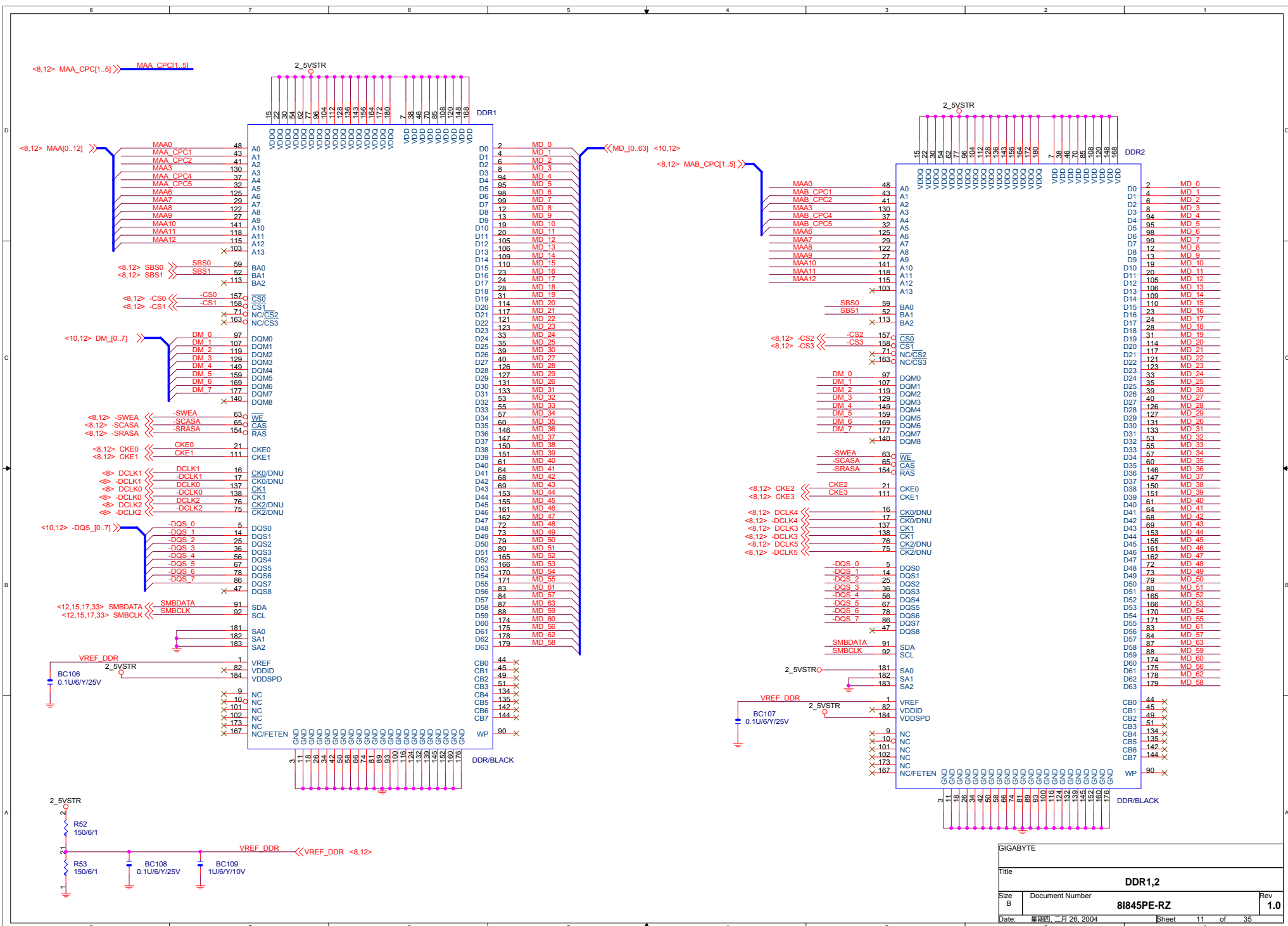
DM 0	RN3	1	2 10/8P4R	DM0
-DQS 0		3	4	-DQS0
MD 2		5	6	MD2
MD 6		7	8	MD6
MD 0	RN5	1	2 10/8P4R	MD0
MD 4		3	4	MD4
MD 5		5	6	MD5
MD 1		7	8	MD1
MD 12	RN6	1	2 10/8P4R	MD12
MD 13		3	4	MD13
-DQS 1		5	6	-DQS1
DM 1		7	8	DM1
MD 14	RN7	1	2 10/8P4R	MD14
MD 15		3	4	MD15
MD 10		5	6	MD10
MD 11		7	8	MD11
-DQS 2	RN9	1	2 10/8P4R	-DQS2
DM 2		3	4	DM2
MD 18		5	6	MD18
MD 22		7	8	MD22
MD 29	RN11	1	2 10/8P4R	MD29
MD 25		3	4	MD25
-DQS 3		5	6	-DQS3
DM 3		7	8	DM3
MD 26	RN12	1	2 10/8P4R	MD26
MD 30		3	4	MD30
MD 27		5	6	MD27
MD 31		7	8	MD31
MD 32	RN13	1	2 10/8P4R	MD32
MD 36		3	4	MD36
MD 33		5	6	MD33
MD 37		7	8	MD37
MD 39	RN14	1	2 10/8P4R	MD39
MD 35		3	4	MD35
MD 40		5	6	MD40
MD 44		7	8	MD44
-DQS 4	RN15	1	2 10/8P4R	-DQS4
DM 4		3	4	DM4
MD 34		5	6	MD34
MD 38		7	8	MD38
MD 45	RN16	1	2 10/8P4R	MD45
MD 41		3	4	MD41
DM 5		5	6	DM5
-DQS 5		7	8	-DQS5
MD 48	RN17	1	2 10/8P4R	MD48
MD 49		3	4	MD49
MD 52		5	6	MD52
MD 53		7	8	MD53
MD 50	RN18	1	2 10/8P4R	MD50
MD 51		3	4	MD51
MD 60		5	6	MD60
MD 61		7	8	MD61
DM 6	RN19	1	2 10/8P4R	DM6
-DQS 6		3	4	-DQS6
MD 64		5	6	MD64
MD 65		7	8	MD65
MD 56	RN20	1	2 10/8P4R	MD56
MD 57		3	4	MD57
DM 7		5	6	DM7
-DQS 7		7	8	-DQS7
MD 59	RN21	1	2 10/8P4R	MD59
MD 63		3	4	MD63
MD 58		5	6	MD58
MD 62		7	8	MD62

MD 20	RN2	1	2 10/8P4R	MD20
MD 16		3	4	MD16
MD 17		5	6	MD17
MD 21		7	8	MD21
MD 42	RN4	1	2 10/8P4R	MD42
MD 46		3	4	MD46
MD 43		5	6	MD43
MD 47		7	8	MD47

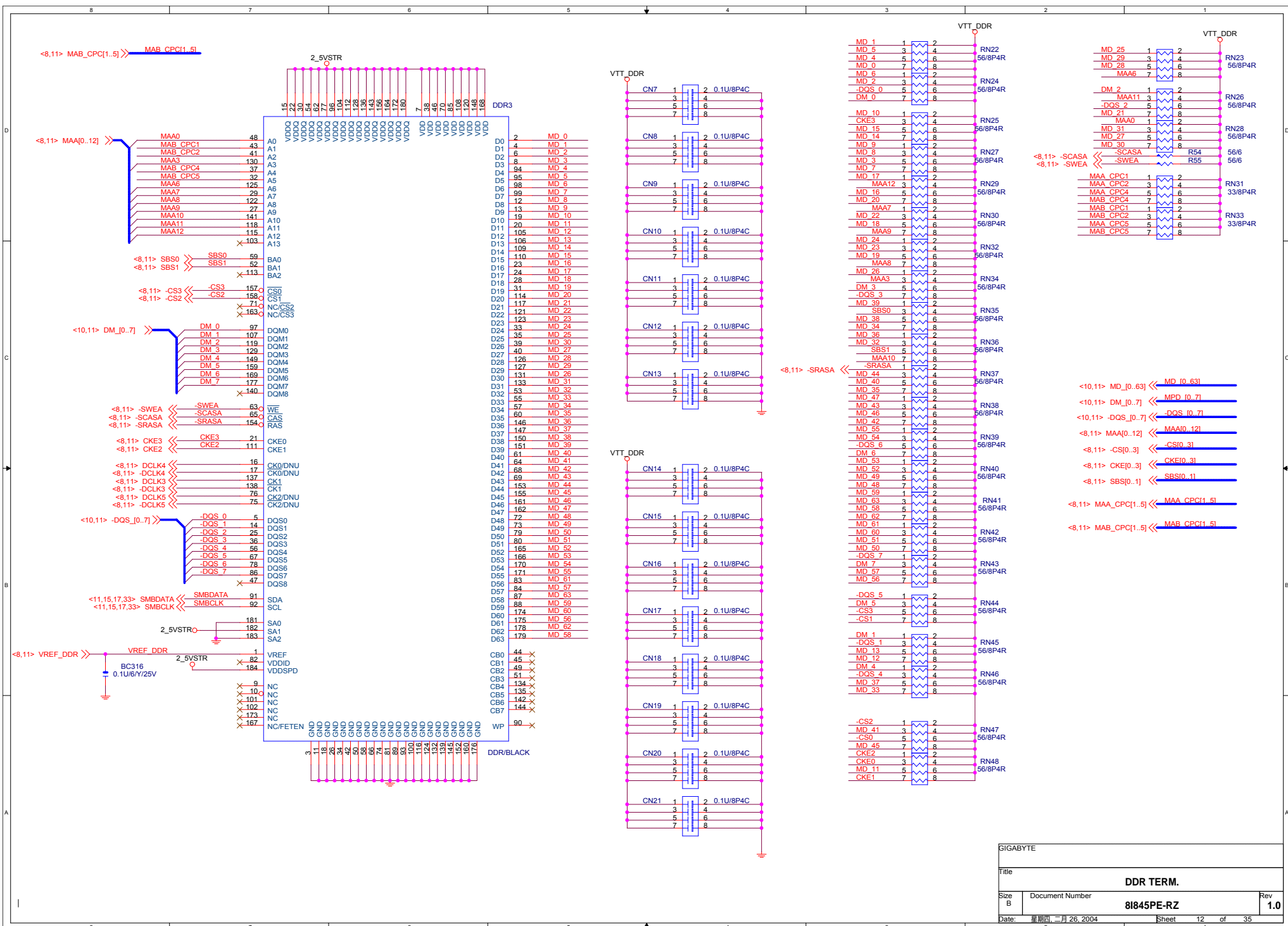
MD 7	RN8	1	2 10/8P4R	MD7
MD 3		3	4	MD3
MD 8		5	6	MD8
MD 9		7	8	MD9
MD 19	RN10	1	2 10/8P4R	MD19
MD 23		3	4	MD23
MD 24		5	6	MD24
MD 28		7	8	MD28



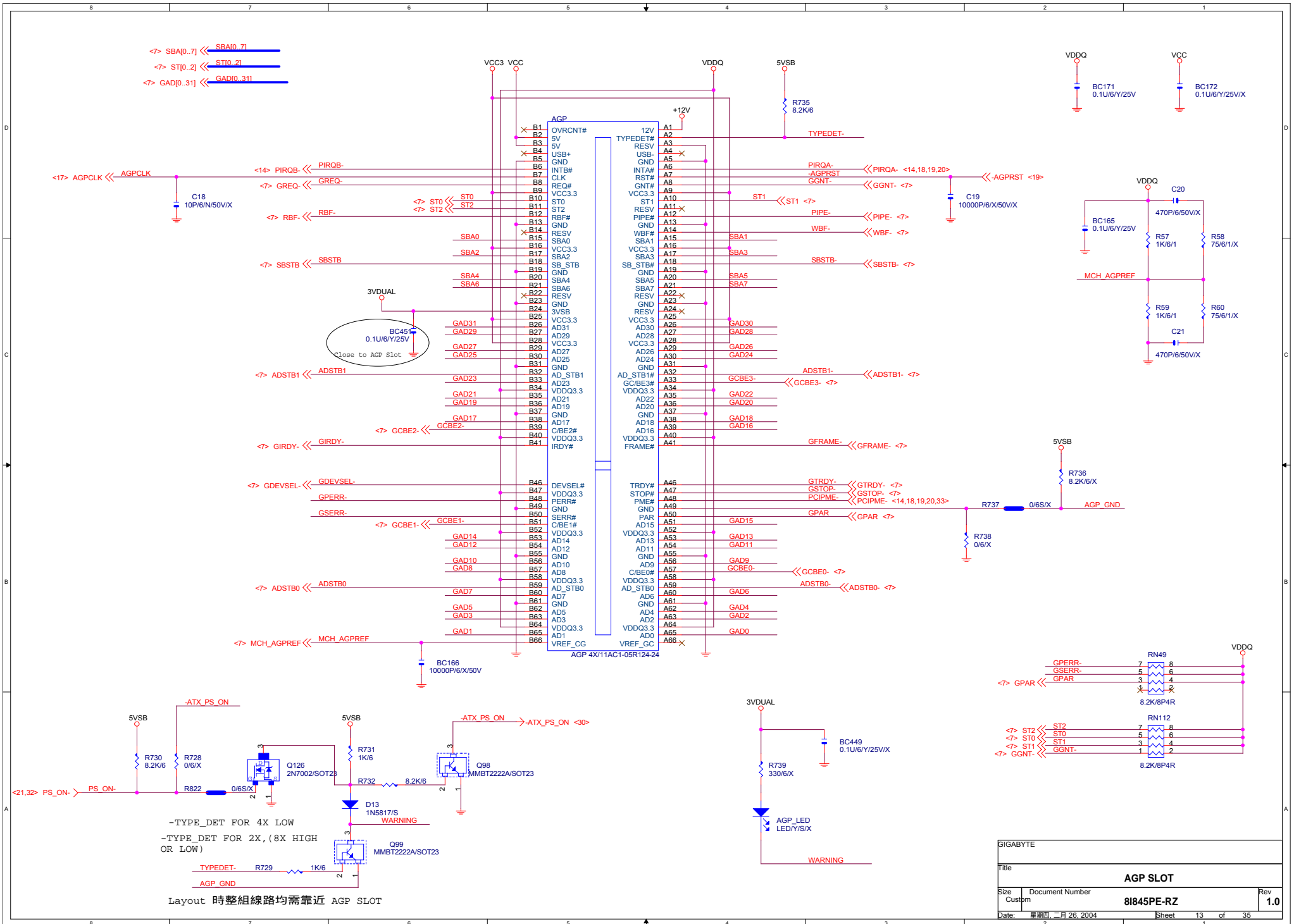
SIGABYTE			
Title			
<b>DDR SERIAL TERM.</b>			
Size B	Document Number	81845PE-RZ	Rev 1.0
Date:	星期四, 三月 26, 2004	Sheet 10	of 35



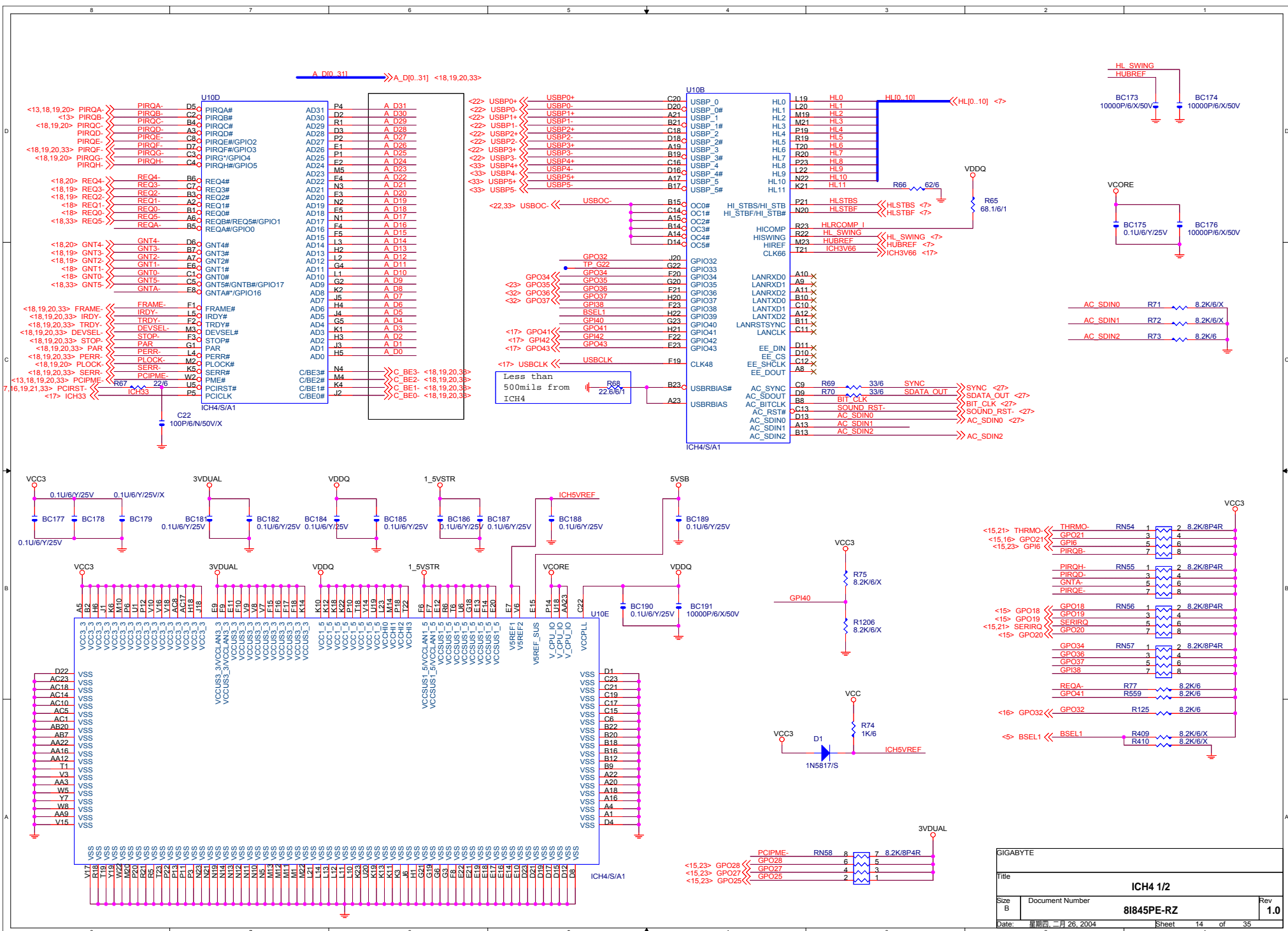
SIGNALYTE		
Title		
<b>DDR1,2</b>		
Size B	Document Number	Rev
	<b>81845PE-RZ</b>	<b>1.0</b>
Date:	星期二, 二月 26, 2004	Sheet 11 of 35



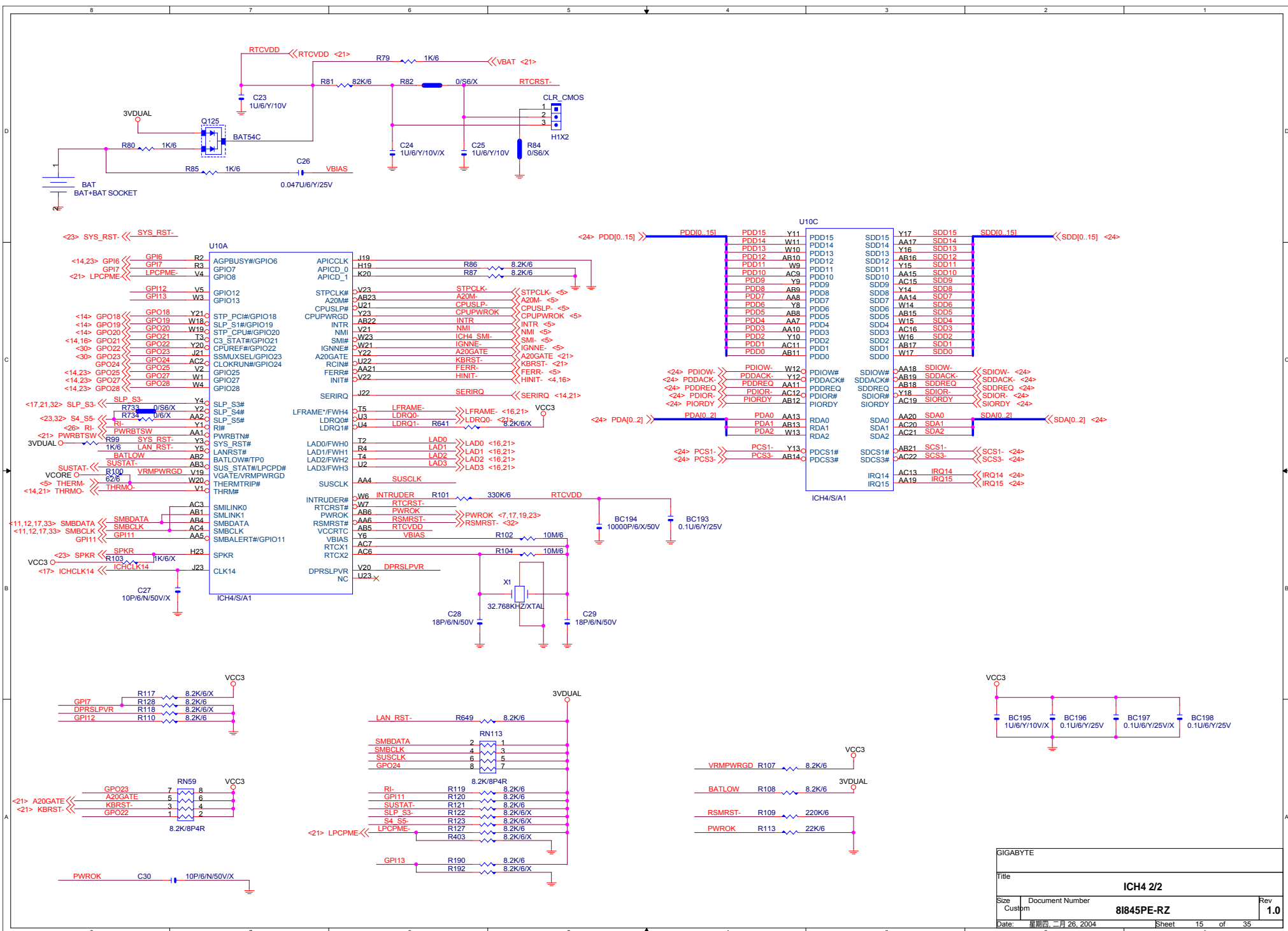
SIGABYTE		
Title		
<b>DDR TERM.</b>		
Size B	Document Number	Rev
	<b>8I845PE-RZ</b>	<b>1.0</b>
Date:	星期四, 二月 26, 2004	Sheet 12 of 35



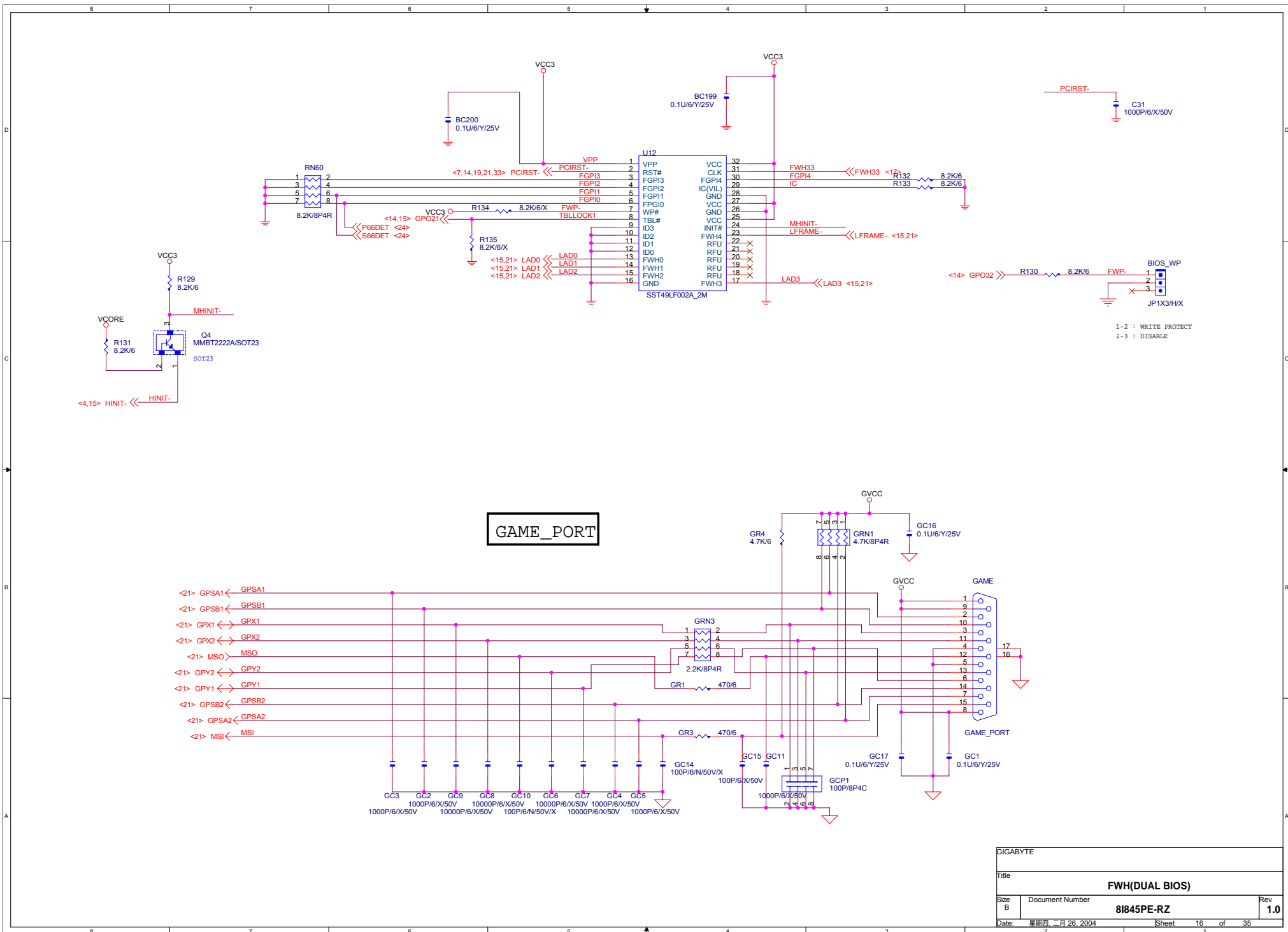
SIGABYTE			
Title			
<b>AGP SLOT</b>			
Size	Document Number		Rev
Custom		<b>81845PE-RZ</b>	<b>1.0</b>
Date:	日期	二月 26, 2004	Sheet 13 of 35



SIGNAL		
Title		
ICH4 1/2		
Size	Document Number	Rev
B	81845PE-RZ	1.0
Date:	日期: 二月 26, 2004	Sheet 14 of 35



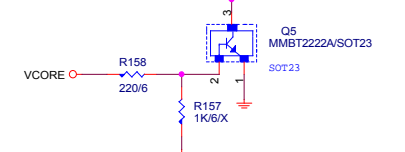
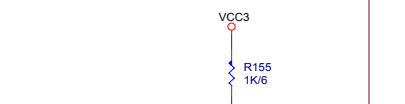
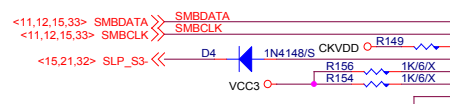
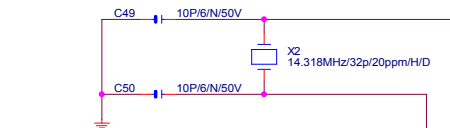
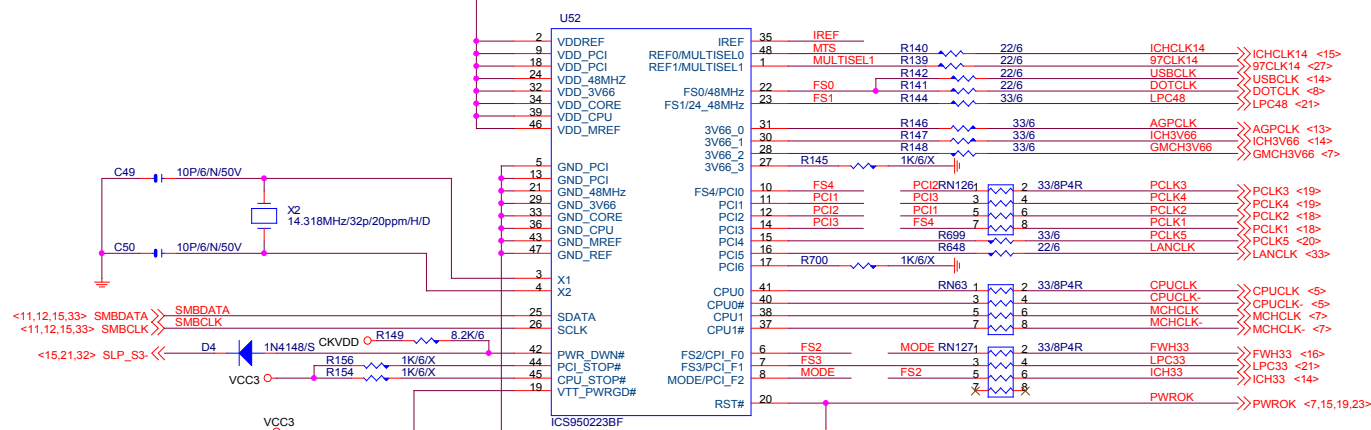
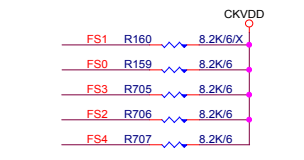
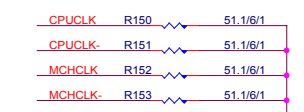
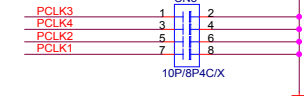
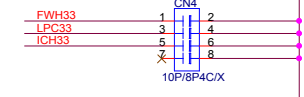
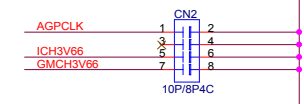
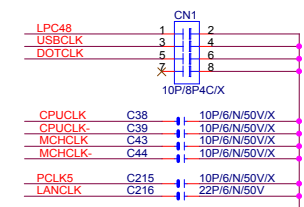
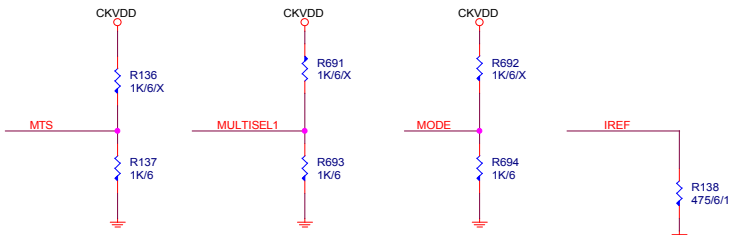
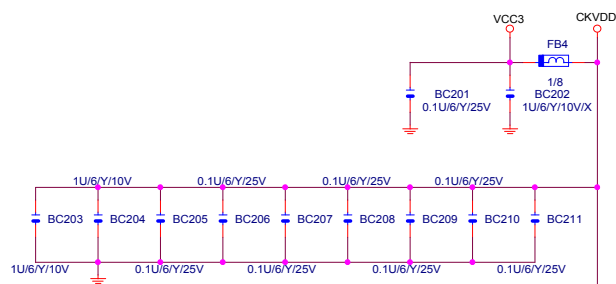
GIGABYTE			
Title			
<b>ICH4 2/2</b>			
Size	Document Number	Rev	
Custom	<b>8I845PE-RZ</b>	<b>1.0</b>	
Date:	星期四, 二月 26, 2004	Sheet	15 of 35



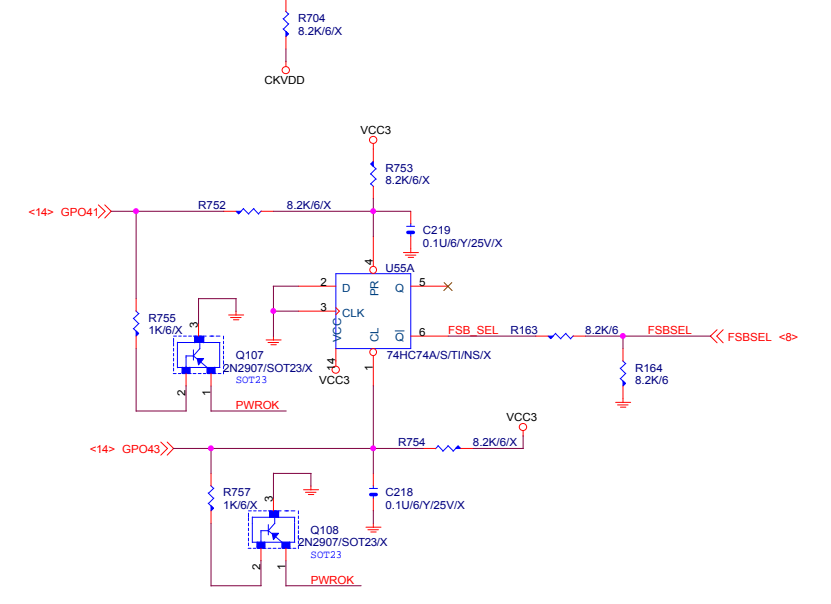
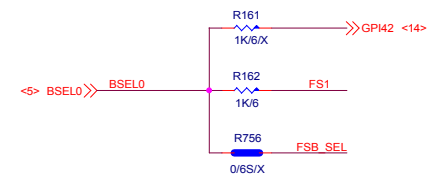
1-2 : WRITE PROTECT  
2-3 : DISABLE

SIGABYTE		
Title		
<b>FWH(DUAL BIOS)</b>		
Size B	Document Number	Rev
	<b>8I845PE-RZ</b>	<b>1.0</b>
Date:	星期四, 二月 26, 2004	Sheet 16 of 35

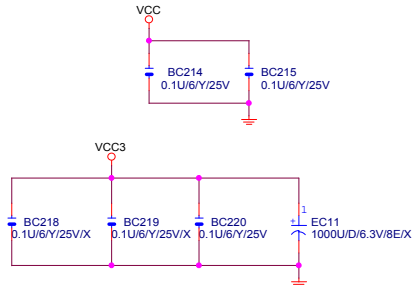
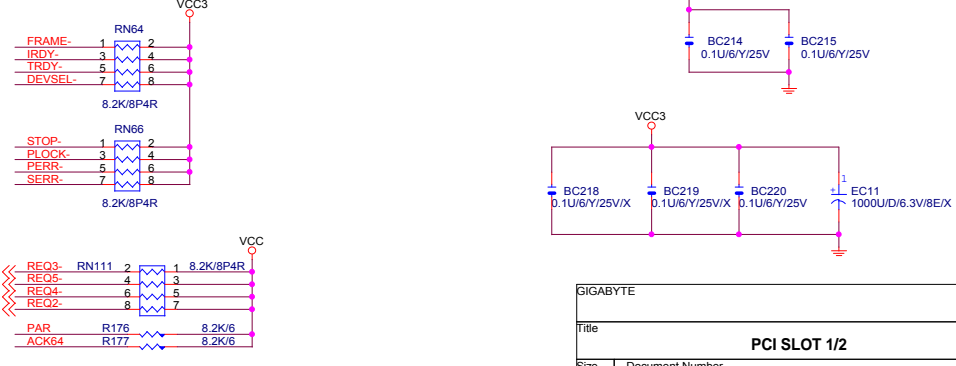
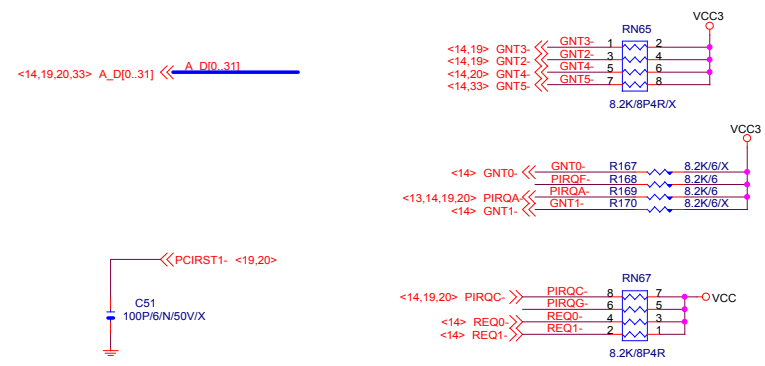
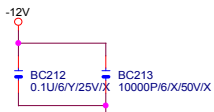
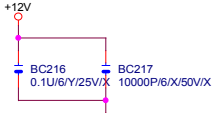
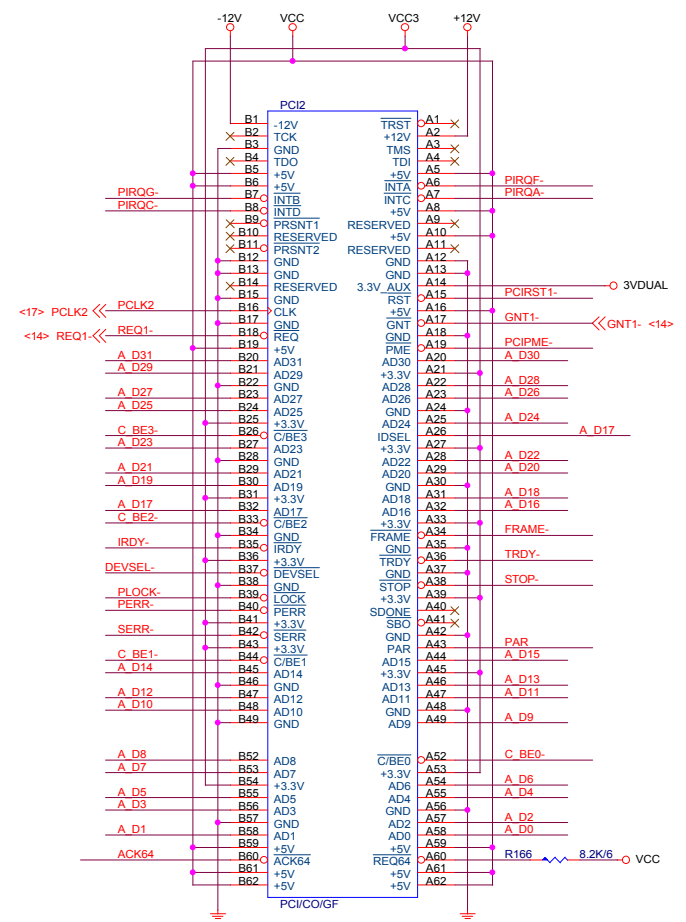
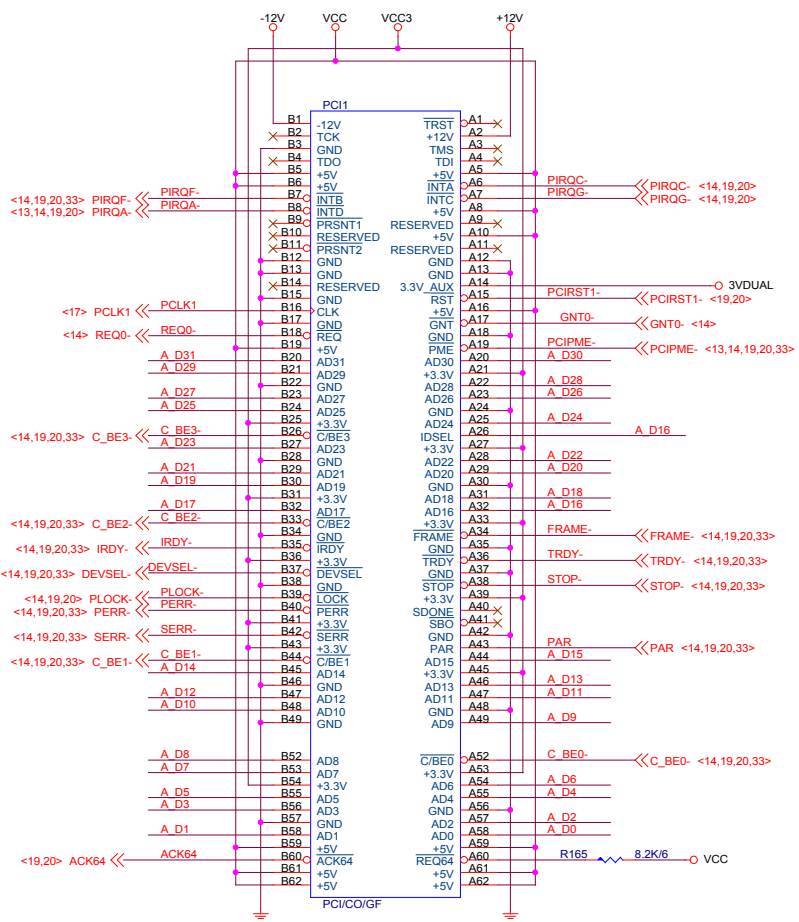




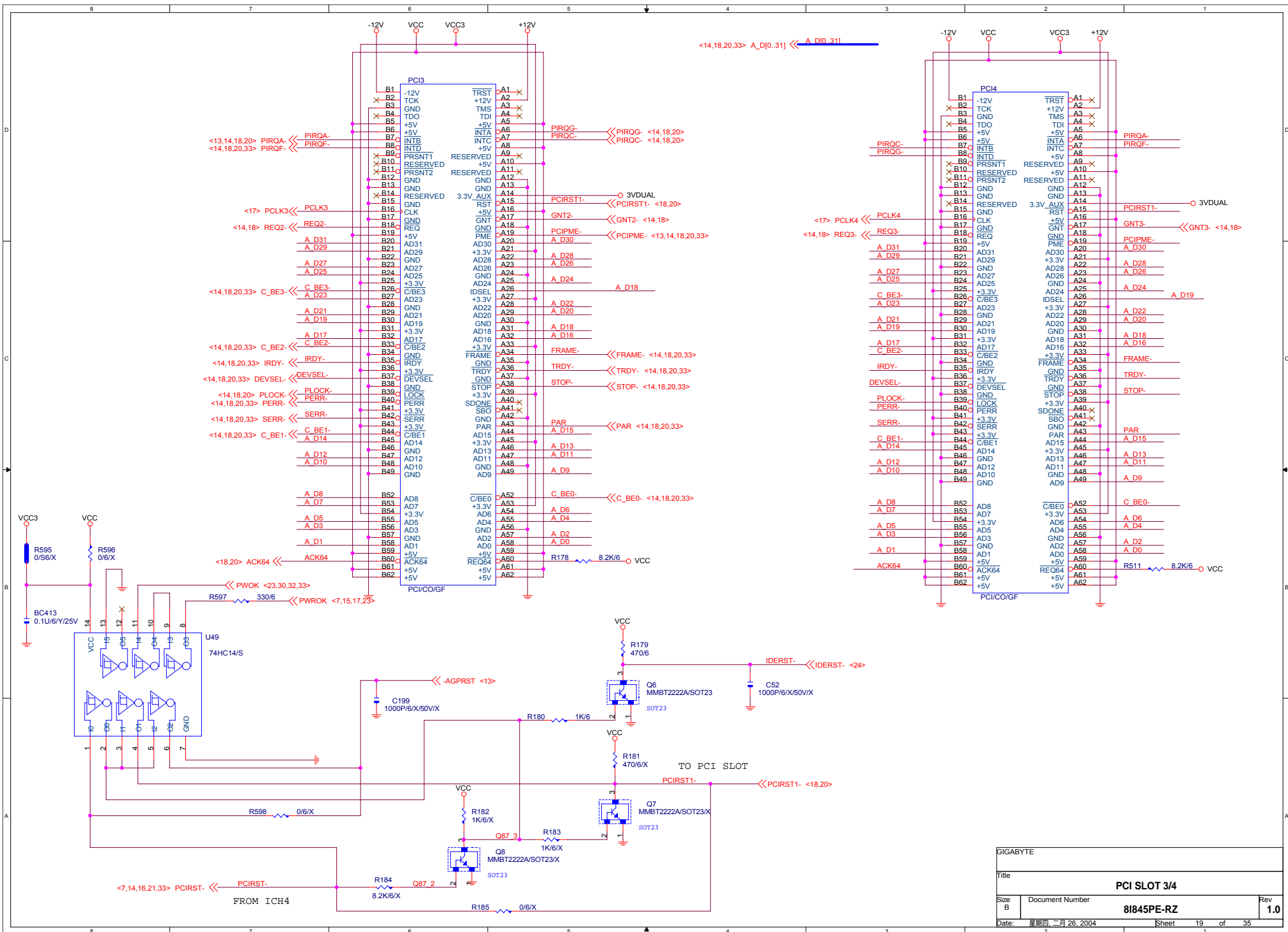
BSEL0 Pull-up at another page.



SIGABYTE			
Title			
<b>CLOCK GENERATOR</b>			
Size	Document Number	Rev	
Custom	81845PE-RZ	1.0	
Date:	星期四, 二月 26, 2004	Sheet	17 of 35

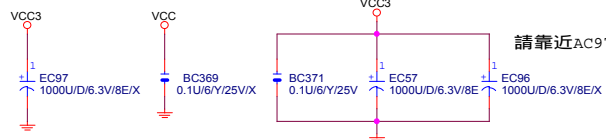
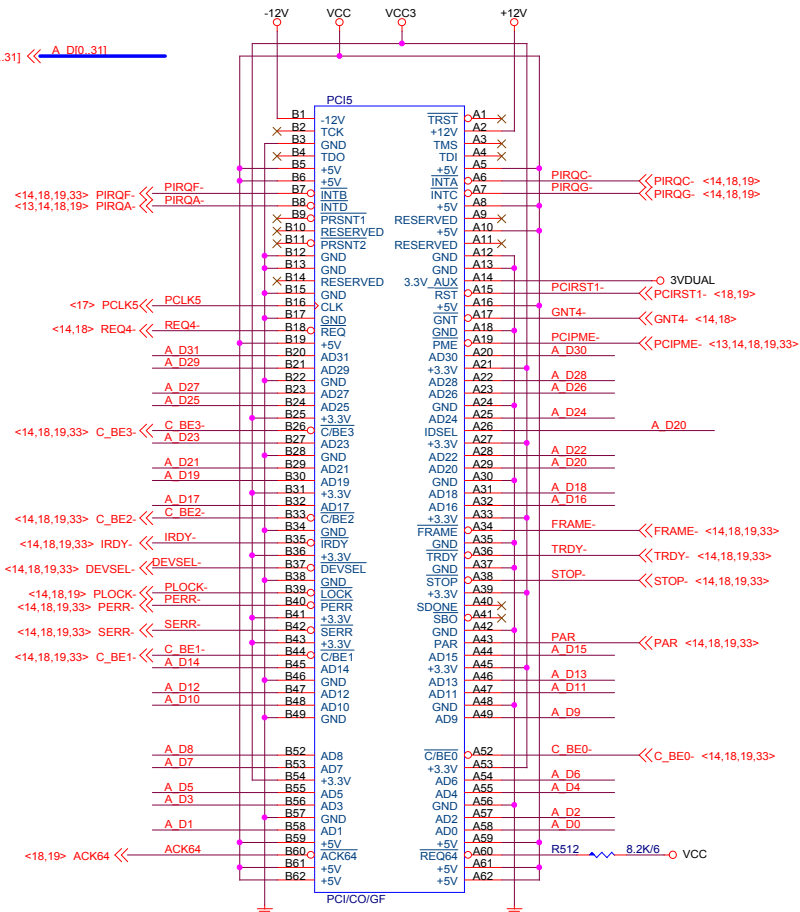


GIGABYTE		
Title		
<b>PCI SLOT 1/2</b>		
Size B	Document Number	Rev
	<b>8I845PE-RZ</b>	<b>1.0</b>
Date:	星期四, 二月 26, 2004	Sheet 18 of 35

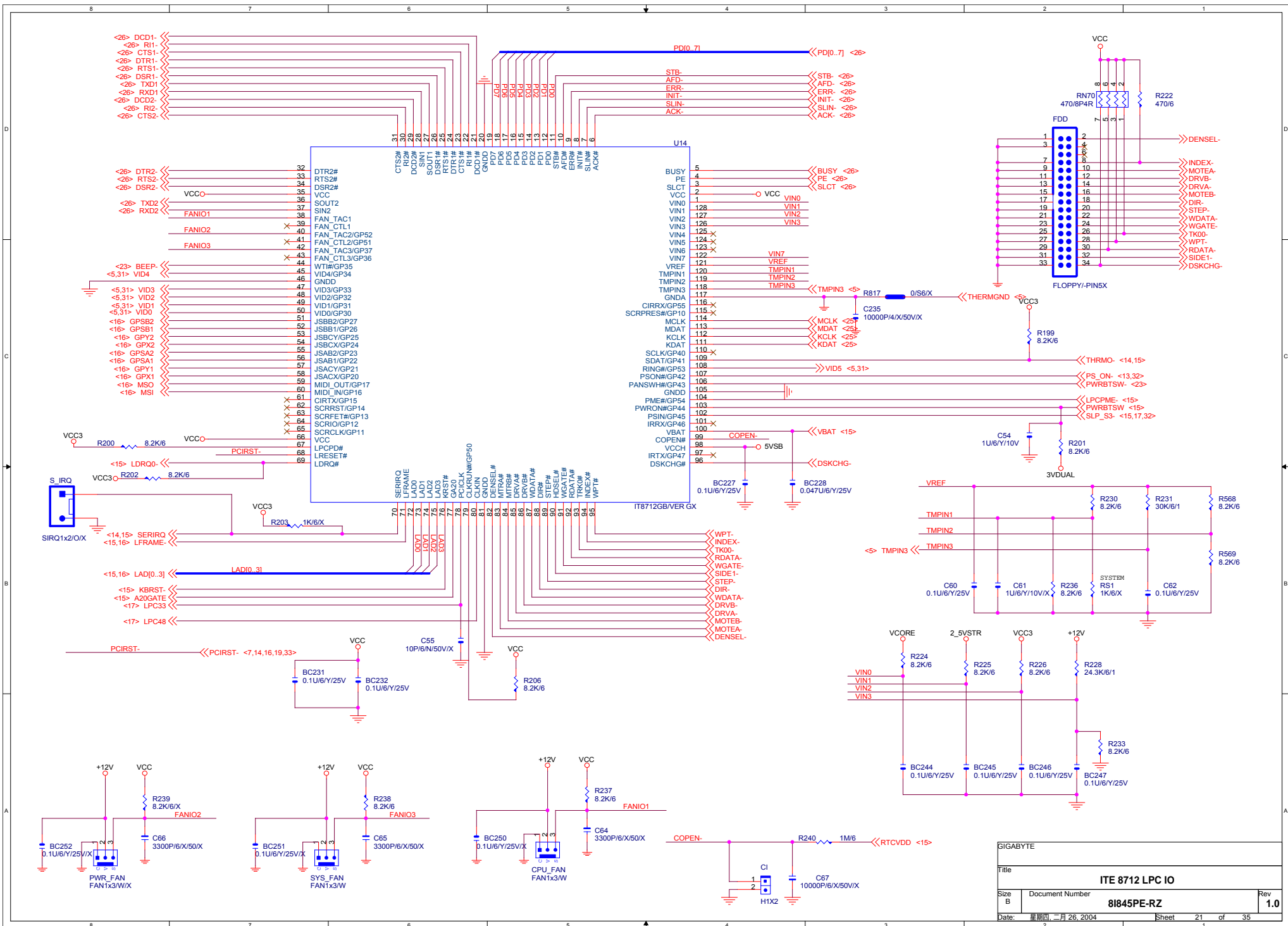


GIGABYTE		
Title		
<b>PCI SLOT 3/4</b>		
Size	Document Number	Rev
B	<b>81845PE-RZ</b>	<b>1.0</b>
Date:	星期四, 二月 26, 2004	Sheet 19 of 35

<14,18,19,33> A\_D[0..31] << A\_D[0..31]

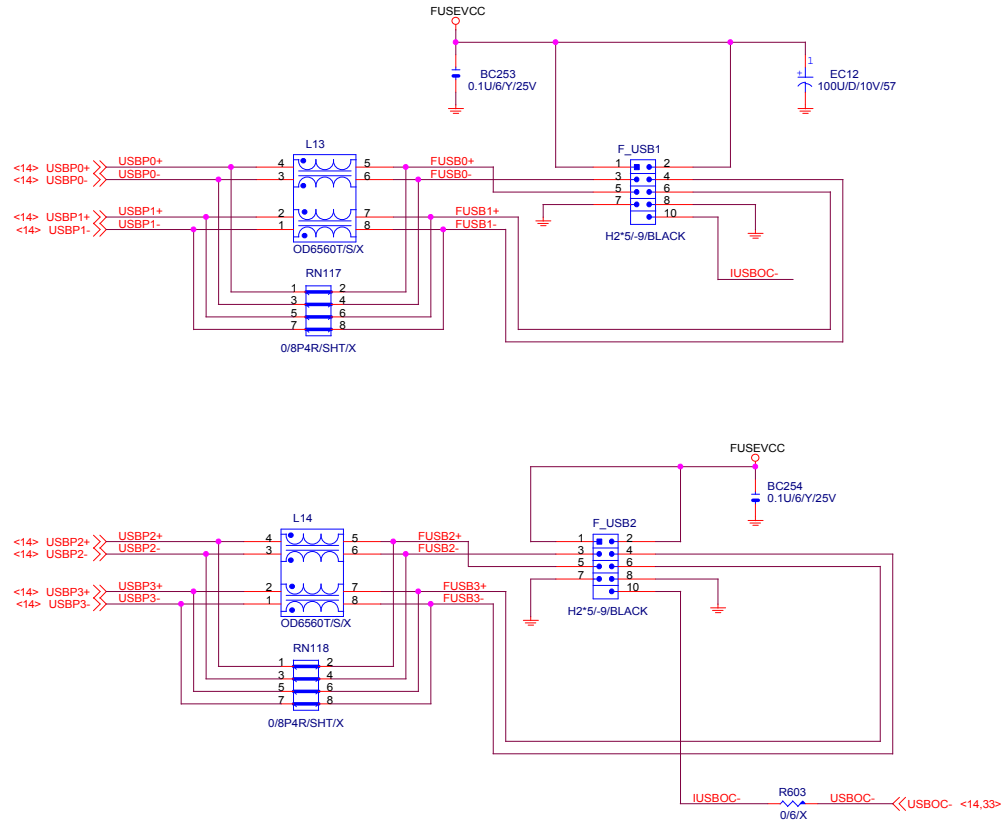


SIGABYTE		
Title		
PCI SLOT 5		
Size B	Document Number	Rev
	8I845PE-RZ	1.0
Date:	星期四, 二月 26, 2004	Sheet 20 of 35

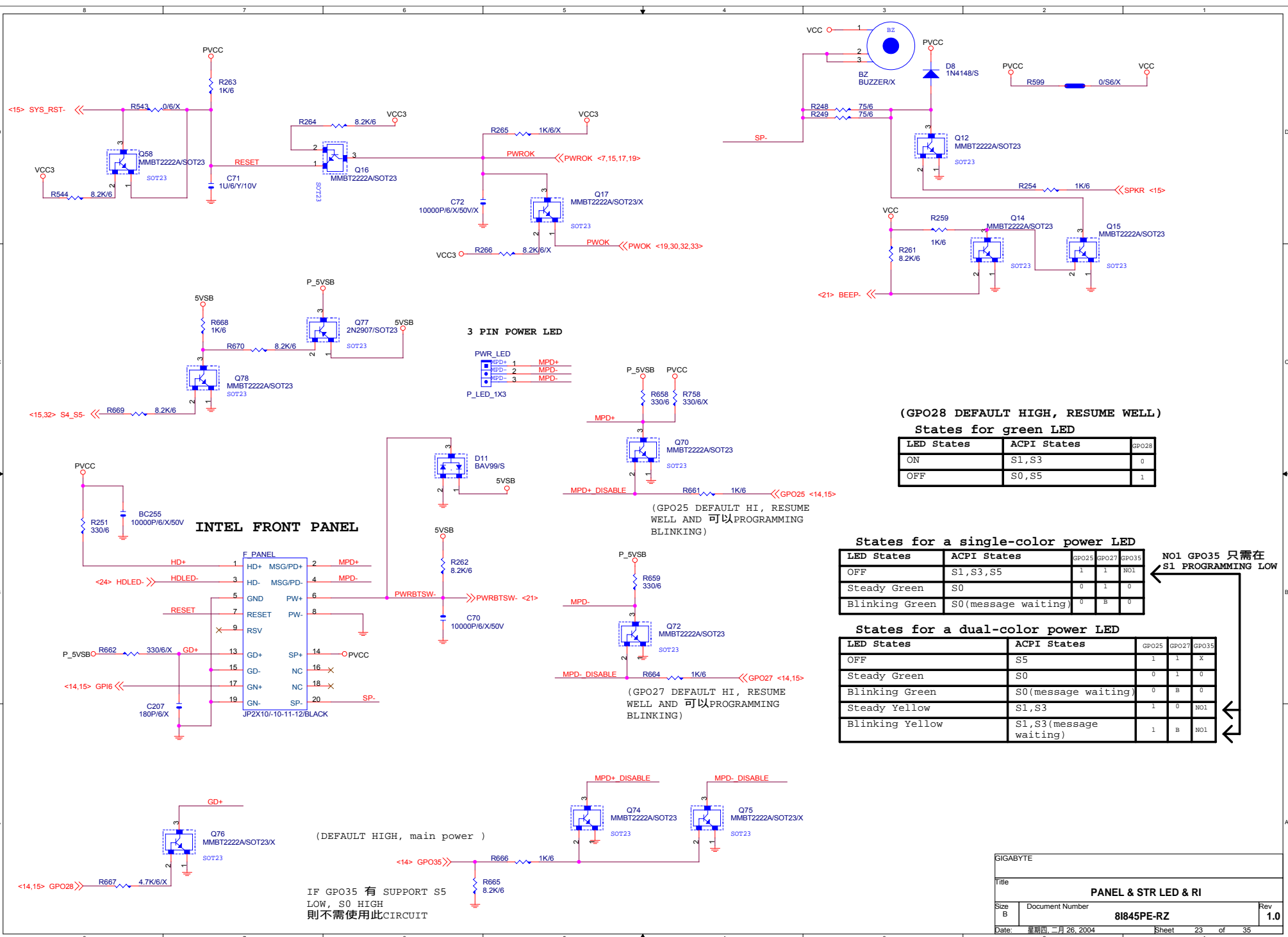


SIGABYTE		
Title		
<b>ITE 8712 LPC IO</b>		
Size	Document Number	Rev
B	<b>81845PE-RZ</b>	<b>1.0</b>
Date:	星期二 二月 26, 2004	Sheet 21 of 35

### ICH4 USB2.0



GIGABYTE		
Title		
<b>ICH USB+LAN PORT</b>		
Size B	Document Number	Rev
	<b>8I845PE-RZ</b>	<b>1.0</b>
Date:	星期四, 二月 26, 2004	Sheet 22 of 35



(GPO28 DEFAULT HIGH, RESUME WELL)

States for green LED

LED States	ACPI States	gPO28
ON	S1,S3	0
OFF	S0,S5	1

States for a single-color power LED

LED States	ACPI States	gPO25	gPO27	gPO35
OFF	S1,S3,S5	1	1	NO1
Steady Green	S0	0	1	0
Blinking Green	S0(message waiting)	0	B	0

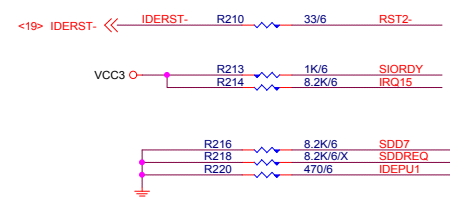
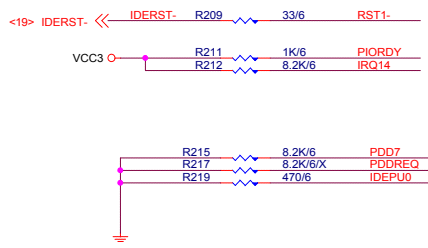
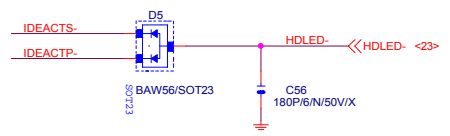
NO1 GPO35 只需在 S1 PROGRAMMING LOW

States for a dual-color power LED

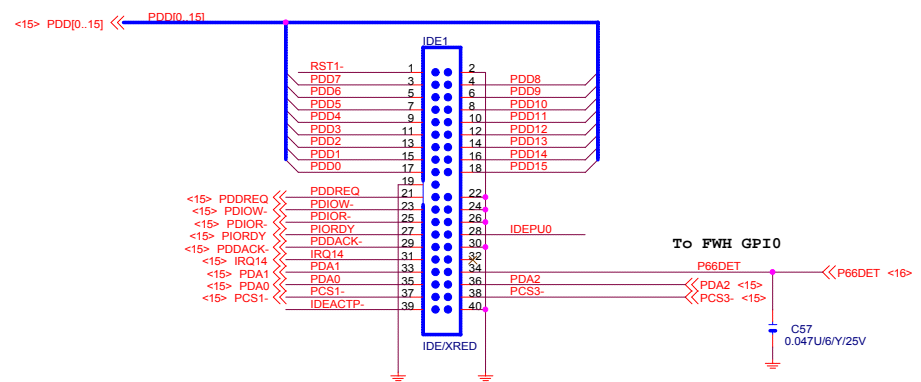
LED States	ACPI States	gPO25	gPO27	gPO35
OFF	S5	1	1	X
Steady Green	S0	0	1	0
Blinking Green	S0(message waiting)	0	B	0
Steady Yellow	S1,S3	1	0	NO1
Blinking Yellow	S1,S3(message waiting)	1	B	NO1

(DEFAULT HIGH, main power)

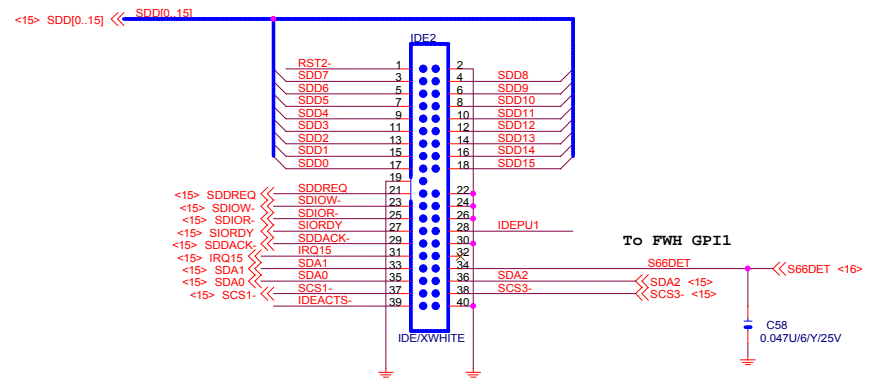
IF GPO35 有 SUPPORT S5 LOW, S0 HIGH 則不需使用此CIRCUIT



PRIMARY IDE CONNECTOR

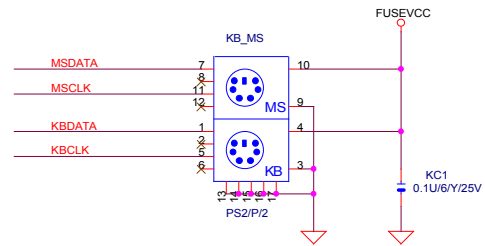
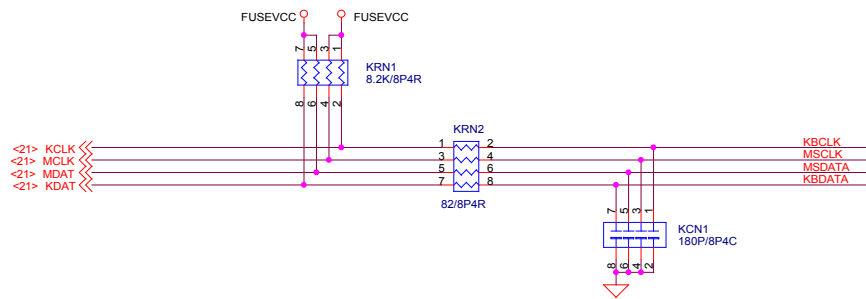
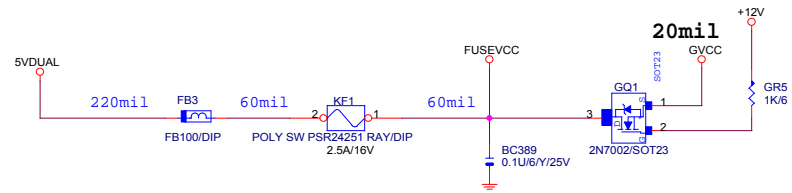


SECONDARY IDE CONNECTOR



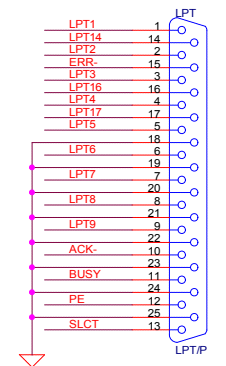
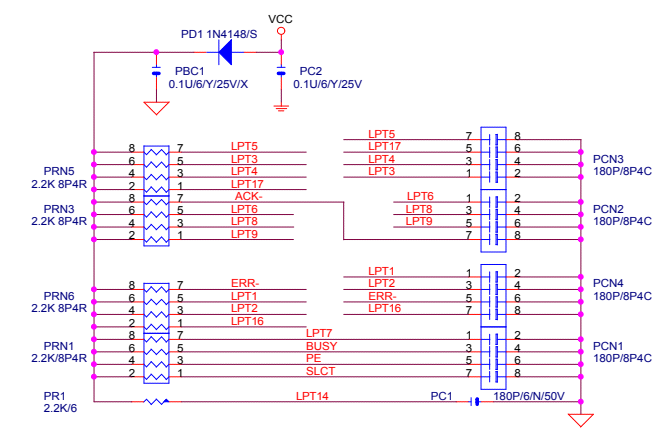
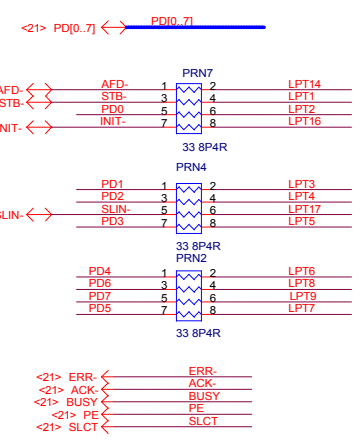
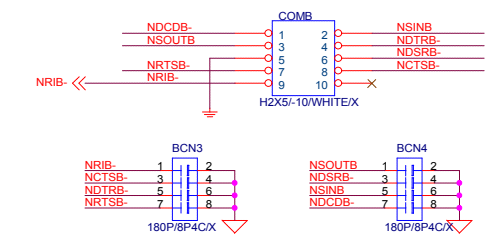
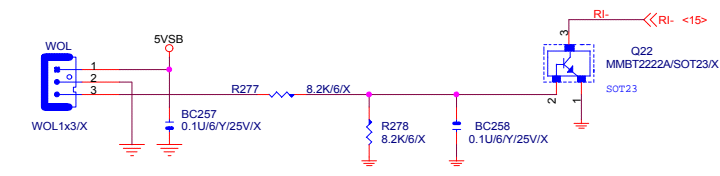
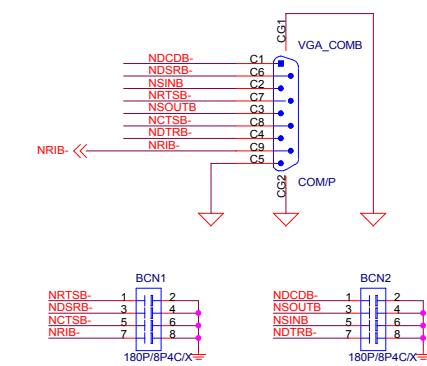
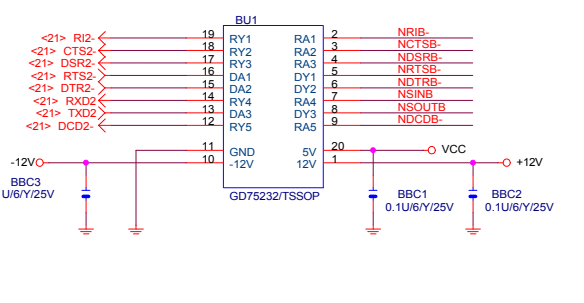
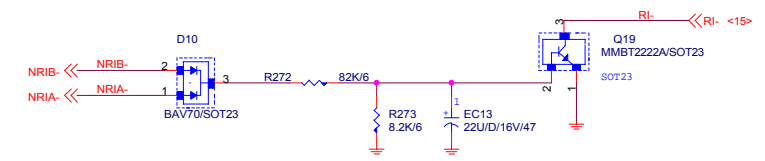
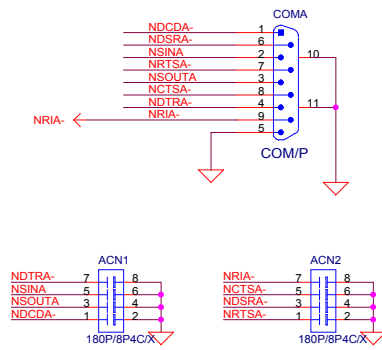
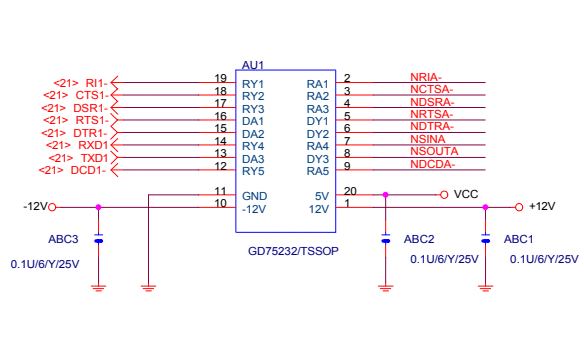
GIGABYTE		
Title		
<b>IDE CONNECTOR</b>		
Size B	Document Number	Rev
	<b>81845PE-RZ</b>	<b>1.0</b>
Date:	星期四, 二月 26, 2004	Sheet 24 of 35





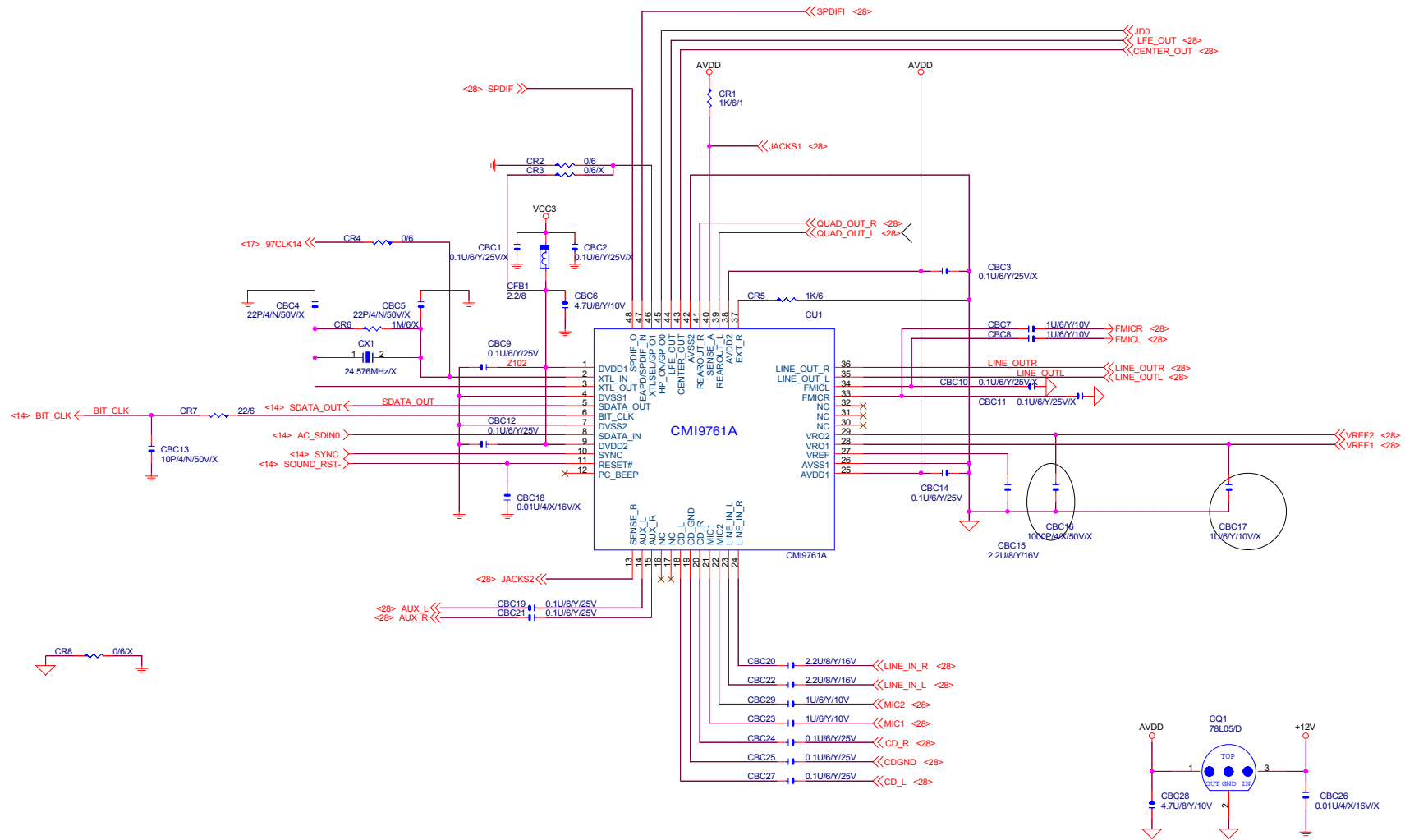
模組化線路

GIGABYTE CORP.		
Title <b>KB &amp; PS2 MOUSE &amp; IR</b>		
Size B	Document Number <b>8I845PE-RZ</b>	Rev <b>1.0</b>
Date:	星期四, 二月 26, 2004	Sheet 25 of 35



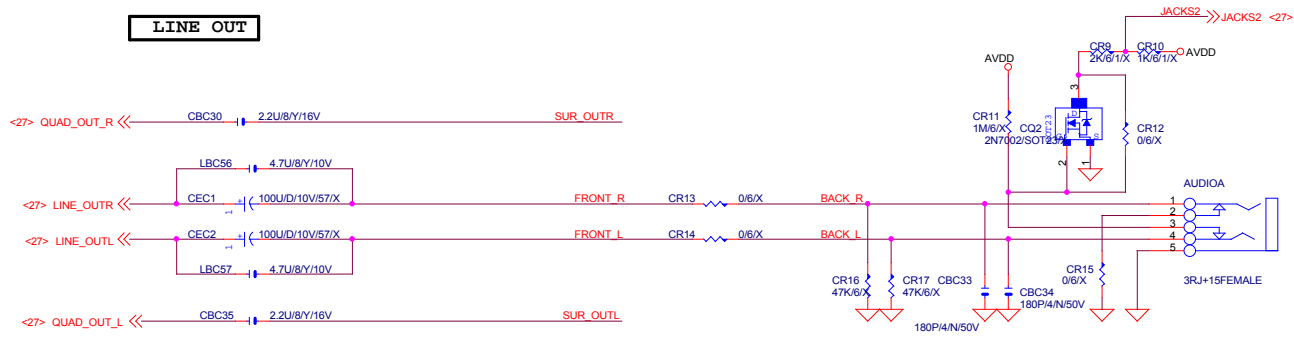
模組化線路

GIGABYTE CORP.		
Title		
<b>COM &amp; IR &amp; LPT PORT &amp; FLOOPY</b>		
Size	Document Number	Rev
B	<b>8I845PE-RZ</b>	<b>1.0</b>
Date:	星期四, 二月 26, 2004	Sheet 26 of 35

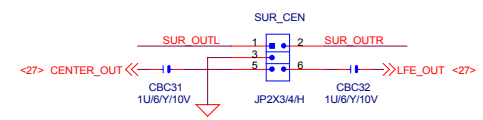


SIGABYTE			
Title			
<b>C-MEDIA 9761A</b>			
Size	Document Number	Rev	
Custom	<b>8I845PE-RZ</b>	<b>1.0</b>	
Date:	星期四, 二月 26, 2004	Sheet	27 of 35

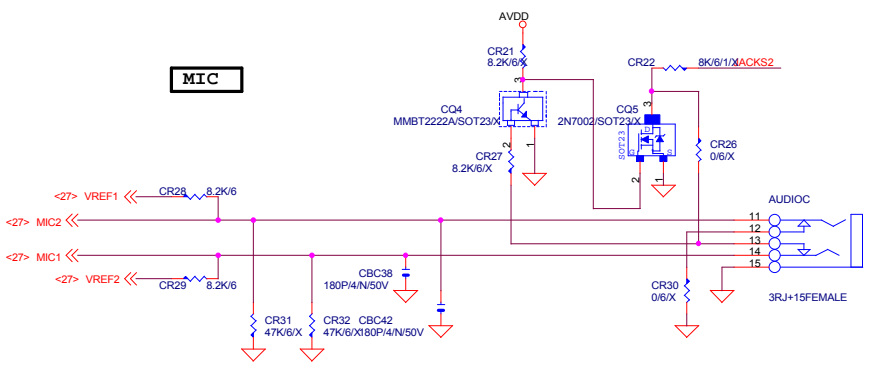
**LINE OUT**



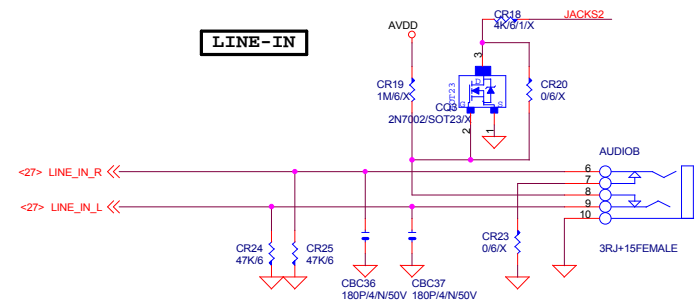
**SUR\_CEN**



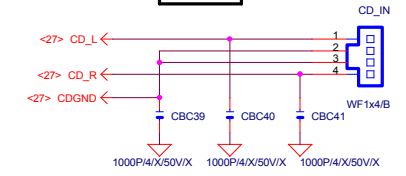
**MIC**



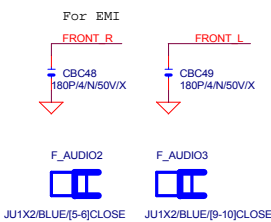
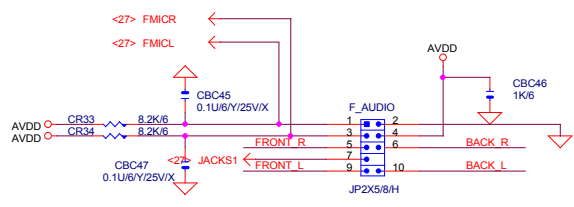
**LINE-IN**



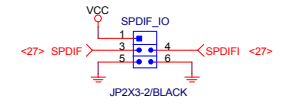
**CD IN**



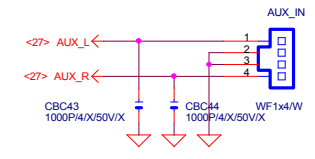
**INTEL FRONT AUDIO**



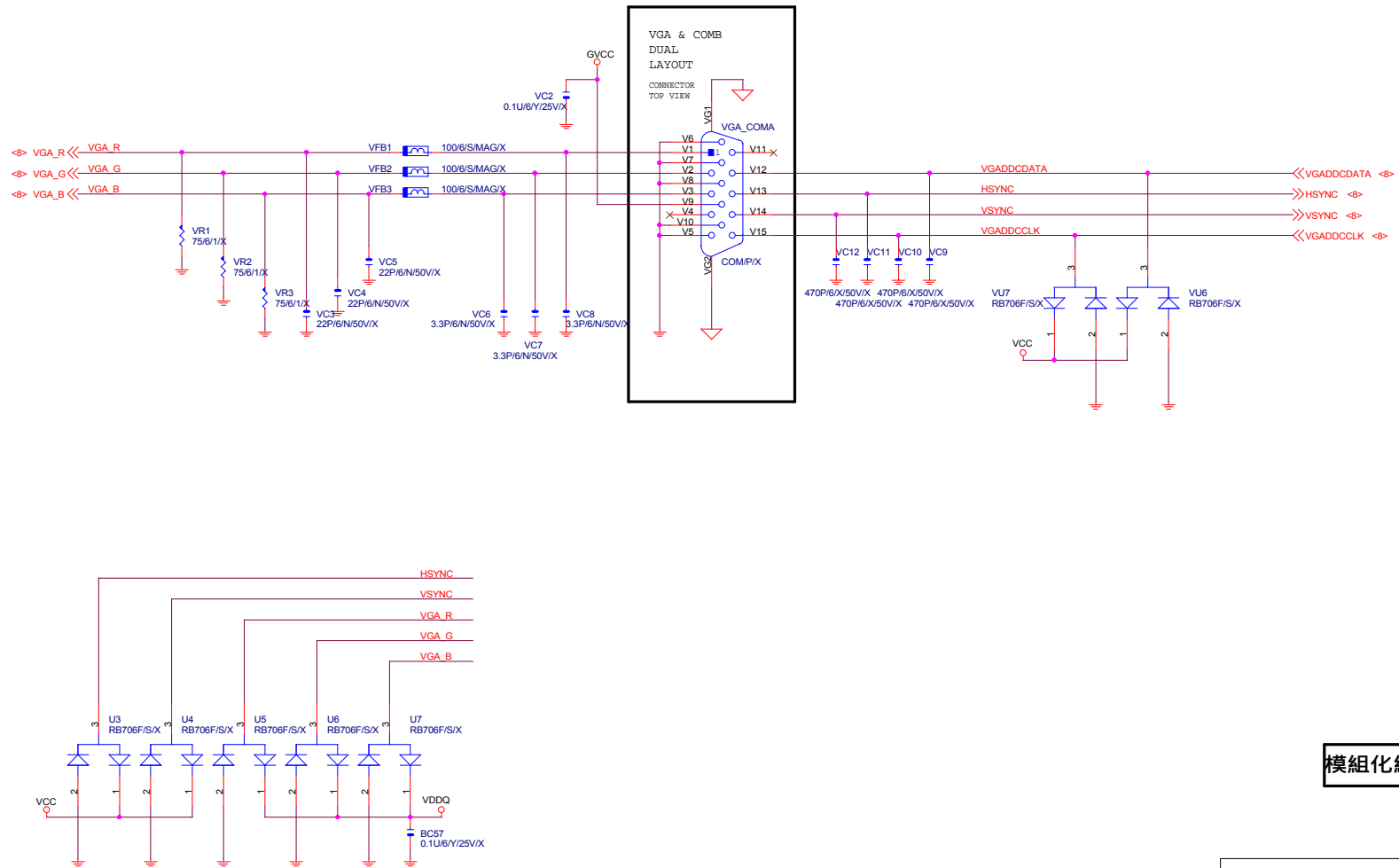
**SPDIF**



**AUX IN DEFAULT NO POP**

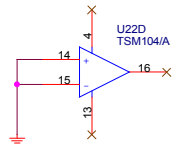
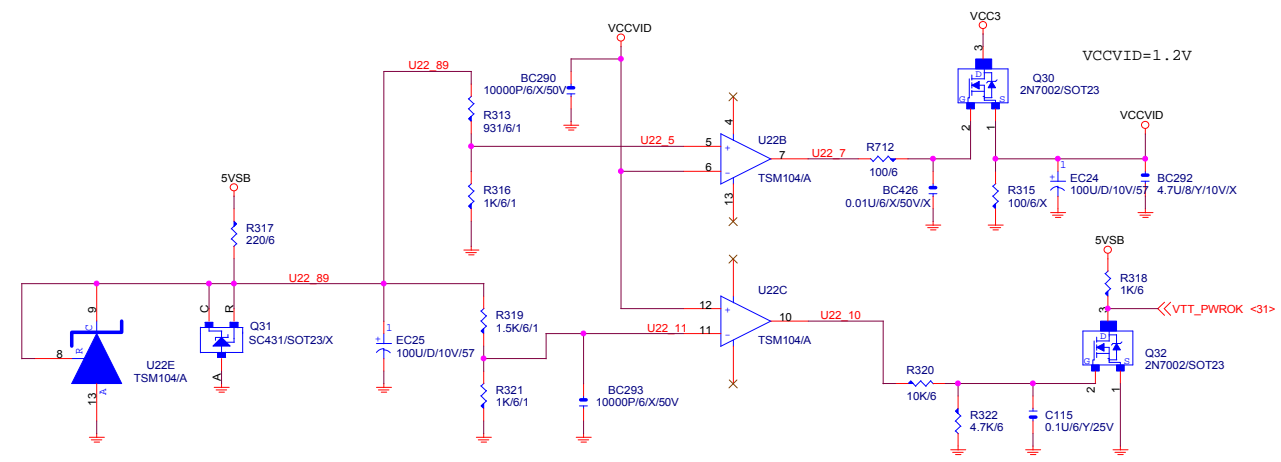
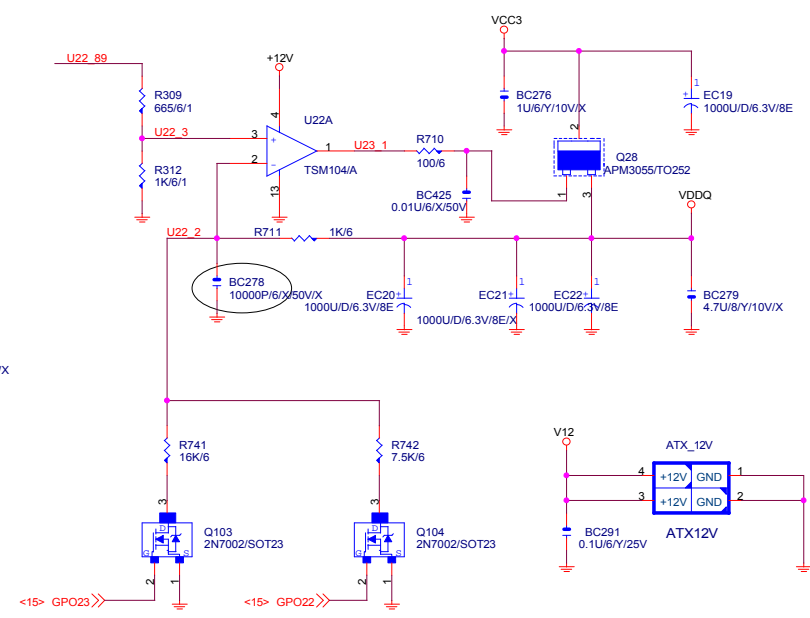
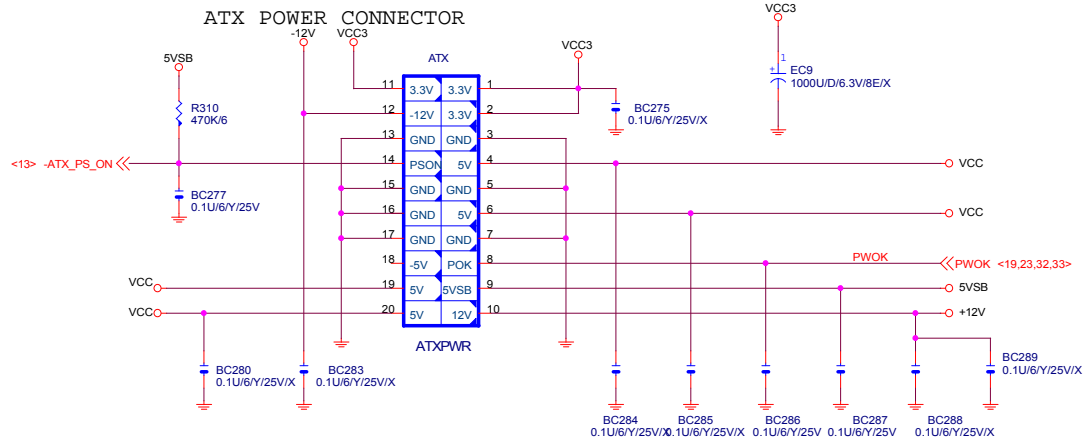


<b>GIGABYTE</b>		
<b>AUDIO OUTPUT, GAME PORT</b>		
Title		
Size	Document Number	Rev
Custom	<b>81845PE-RZ</b>	<b>1.0</b>
Date	星期二, 二月 26, 2004	Sheet 28 of 35

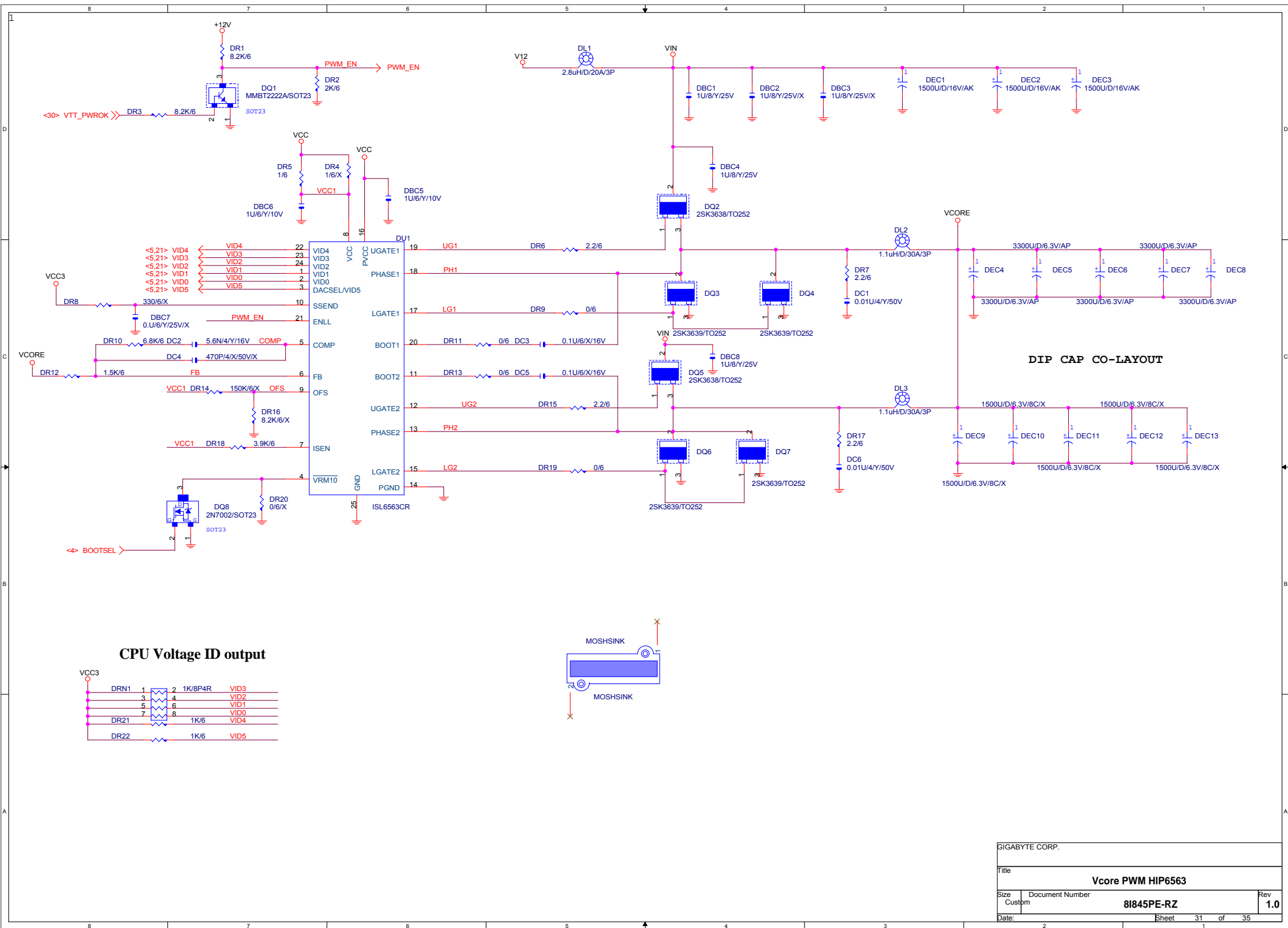


模組化線路

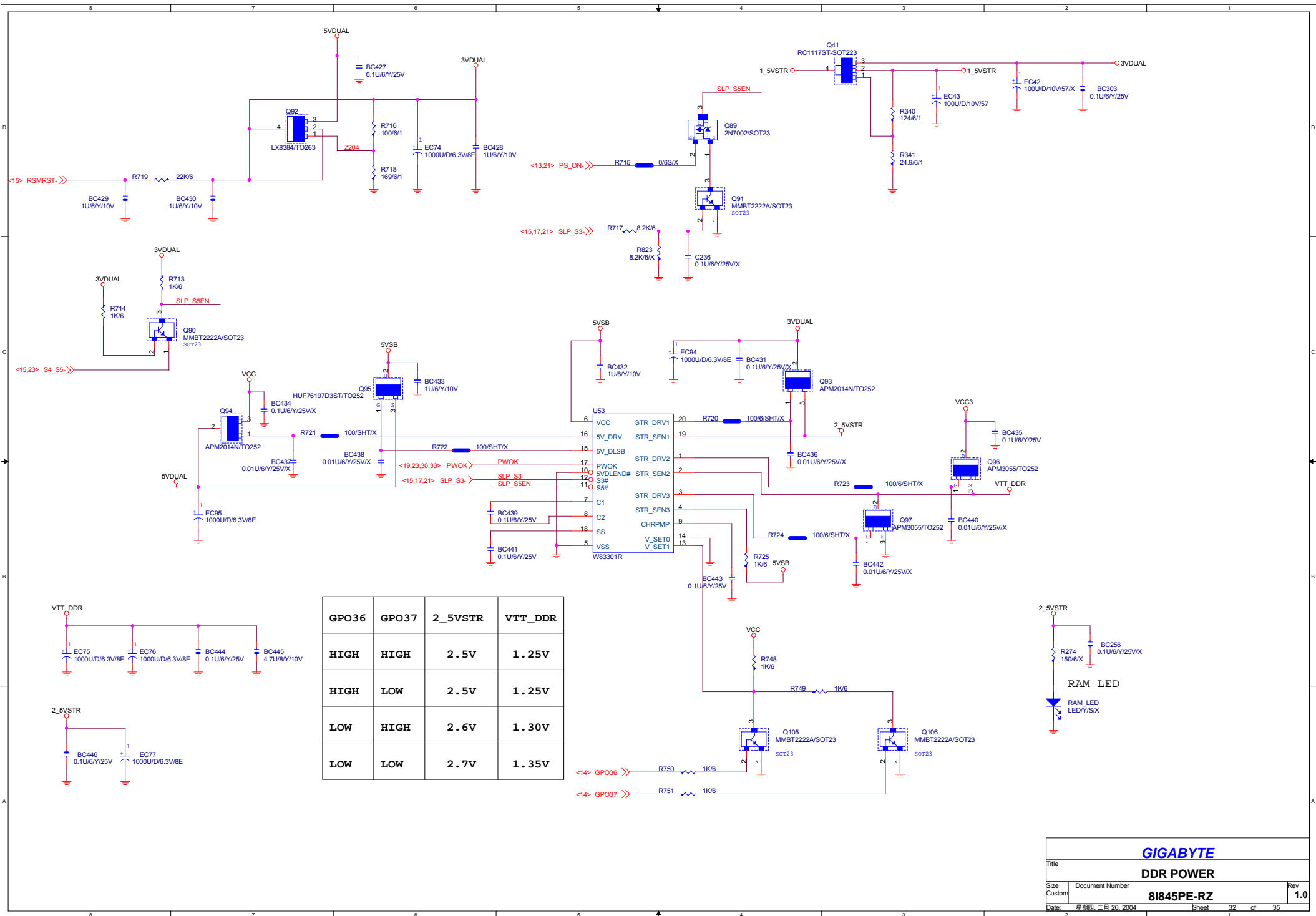
Title			VGA CONNECTOR		
Size	Document Number	Rev			Rev
Custom	8I845PE-RZ	1.0			1.0
Date:	星期四, 二月 26, 2004	Sheet	29	of	35



SIGABYTE		
Title		
<b>Misc. PWR &amp; ATX CONN.</b>		
Size B	Document Number	Rev
	<b>8I845PE-RZ</b>	<b>1.0</b>
Date:	星期四, 二月 26, 2004	Sheet 30 of 35



SIGABYTE CORP.			
Title			
Vcore PWM HIP6563			
Size	Document Number	Rev	
Custom	81845PE-RZ	1.0	
Date:	Sheet 31	of 35	

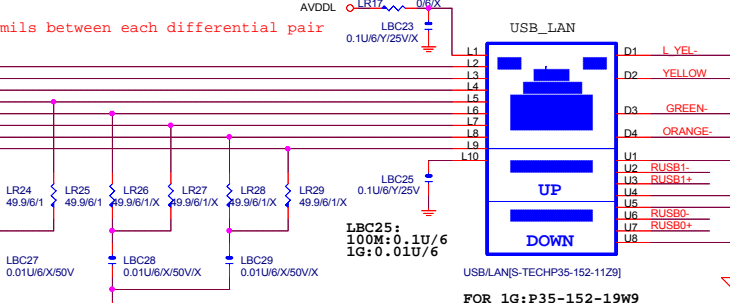
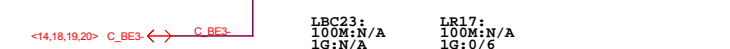
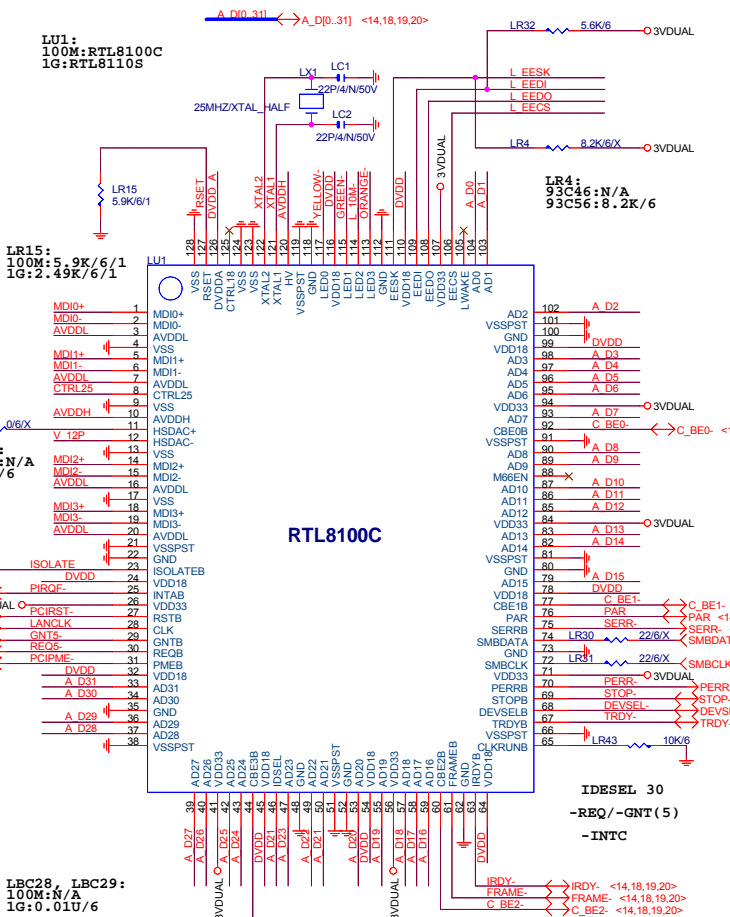
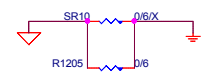


GPO36	GPO37	2_5VSTR	VTT_DDR
HIGH	HIGH	2.5V	1.25V
HIGH	LOW	2.5V	1.25V
LOW	HIGH	2.6V	1.30V
LOW	LOW	2.7V	1.35V



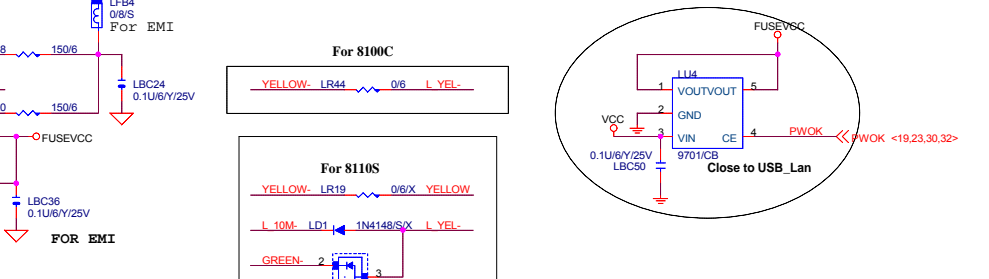
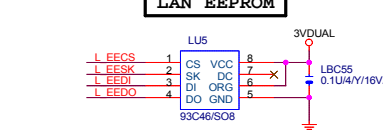
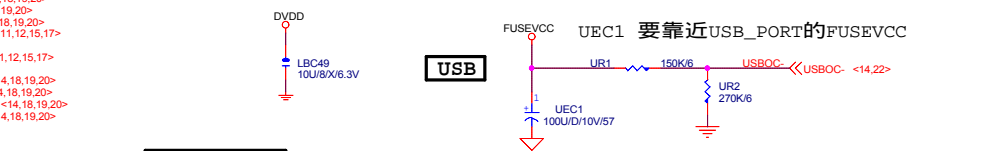
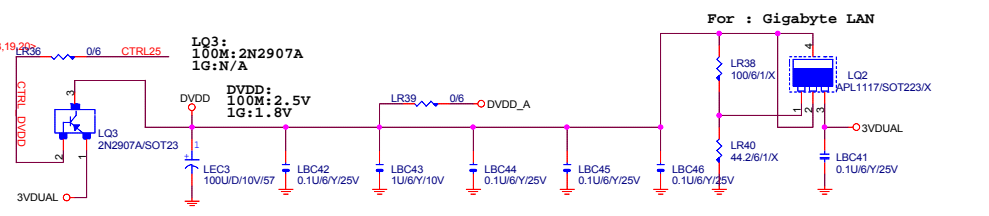
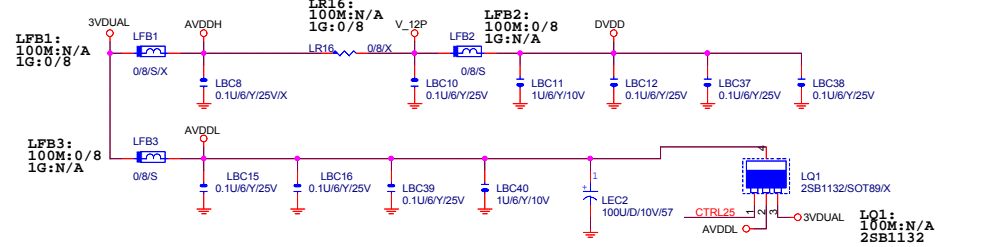
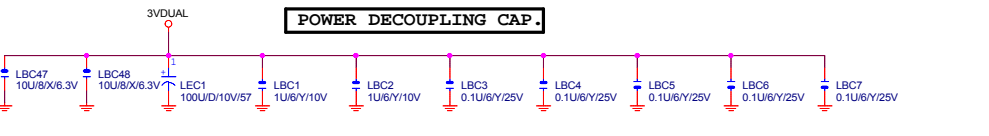
	10/100	Giga	Giga
	8100C	8110S	8110SB
AVDDH	N/A	3.3V	3.3V
V_12P	2.5V	N/A	3.3V
AVDDL	3.3V	2.5V	2.5V
V_DAC	N/A	2.5V	2.5V
DVDD	2.5V	1.8V	1.3V
DVDD_A	2.5V	1.8V	1.3V

		Dual Color LED		
		Yellow	Green	Orange
10Mb	---	OFF	OFF	---
100Mb	---	ON	OFF	---
1Gb	---	OFF	ON	---
Link	ON	---	---	---
Active	Blink	---	---	---



LR22, LR23, LBC26 Close to Lan Chip  
Realtek suggestion (TX+, TX-).

LR24, LR25, LBC27 Close to Lan Chip  
Realtek Suggestion (RX+, RX-).



Title			
LAN RTL8100C			
Size	Document Number	Rev	
Custom	81845PE-RZ	1.0	
Date:	日期: 二月 26, 2004	Sheet	33 of 35

# GIGABYTE GA-8PE667 PCI ROUNTING LIST *Revision : 0.1*

PCI DEVICE	IDSEL	INT	CLOCK	REQ	GNT	
PCI SLOT1	16	C,F,G,A	PCLK1	REQ0-	GNT0-	
PCI SLOT2	17	F,G,A,C	PCLK2	REQ1-	GNT1-	
PCI SLOT3	18	G,A,C,F	PCLK3	REQ2-	GNT2-	
PCI SLOT4	19	A,C,F,G	PCLK4	REQ3-	GNT3-	
PCI SLOT5	20	C,F,G,A	PCLK5	REQ4-	GNT4-	
LAN	21	F	LANCLK	REQ5-	GNT5-	

# GIGABYTE GA-8PE800 GPIO LIST

Revision 2.0

SHEET

TITLE

GPI		
GPI0/REQA-		PULL DOWN 15K, detect IDE1 connector type.
GPI1/REQ5-		PULL DOWN 15K, detect IDE2 connector type.
GPI2/PIRQE-		PULL 8.2K TO VCC3
GPI3/PIRQF-		PULL 8.2K TO VCC3
GPI4/PIRQG-		PULL 8.2K TO VCC3
GPI5/PIRQH-		PULL 8.2K TO VCC3
GPI6		PULL 8.2K TO VCC3 (GREEN_BUTTON)
GPI7		NOT IMPLEMENTED
GPI8		PULL 8.2K TO 3VDUAL, LPC PME.
GPI9	NA	NOT IMPLEMENTED
GPI10	NA	NOT IMPLEMENTED
GPI11		PULL 4.7K TO 3VDUAL (SMBALERT)
GPI12		PULL DOWN 10K.
GPI13		PULL DOWN 10K, CNR_PRIMARY
GPI14	NA	NOT IMPLEMENTED
GPI15	NA	NOT IMPLEMENTED

SHEET

TITLE

GPO		
GPO16		PULL 8.2K TO VCC3
GPO17		PULL 8.2K TO VCC3 (GNT5-)
GPO18		PULL 8.2K TO VCC3
GPO19		PULL 8.2K TO VCC3
GPO20		PULL 8.2K TO VCC3
GPO21		PULL 8.2K TO VCC3
GPO22		PULL 8.2K TO VCC3
GPO23		PULL 8.2K TO VCC3
GPO24		PULL 1K TO 3VDUAL (TOP BLOCK)
GPO25		PULL 4.7K TO 3VDUAL, POWER LED CONTROL.
GPO26		NOT IMPLEMENTED
GPO27		PULL 8.2K TO 3VDUAL, POWER LED CONTROL.
GPO28		PULL 8.2K TO 3VDUAL, GREEN LED.
GPO32		PULL 8.2K TO 3VDUAL, BIOS WRITE PROTECT.
GPO35		PULL DOWN 10K, POWER LED CONTROL.

**GIGABYTE**

Title			GPIO LIST		
Size	Document Number				Rev
Custom	8I845PE-RZ				1.0
Date:	星期四, 二月 26, 2004	Sheet	35	of	35