

# Mocha-1 Block Diagram

07226-1-Final

Project Code: 91.47Q01.001  
PCB(Raw Card): 48.47Q01.001

## PCB Layer Stackup

- L1:Component
- L2:GND
- L3:Signal 1
- L4:VCC
- L5:Signal 2
- L6:Signal 3
- L7:GND
- L8:Component

## Battery Charger/Selector

ADP3808 44	
INPUTS	OUTPUTS
DOCK_PWR20_F	M-BAT-PWR
	S-BAT-PWR

## System DC/DC

TPS51221 49	
VINT20	VCC5M
	VCC3M

## CPU DC/DC

VT1311 50	
VINT20	VCCPUCORE
	VCC3M

## GMCH GFX CORE

VT451&VT450 51	
VINT20	VCCGFXCORE

## VCCIR05AMT/VCCIR5A

VT351A 52,53	
VCC5V_OUT	VCCIR05AMT
	VCCIR5A

## VCC0R75AMT

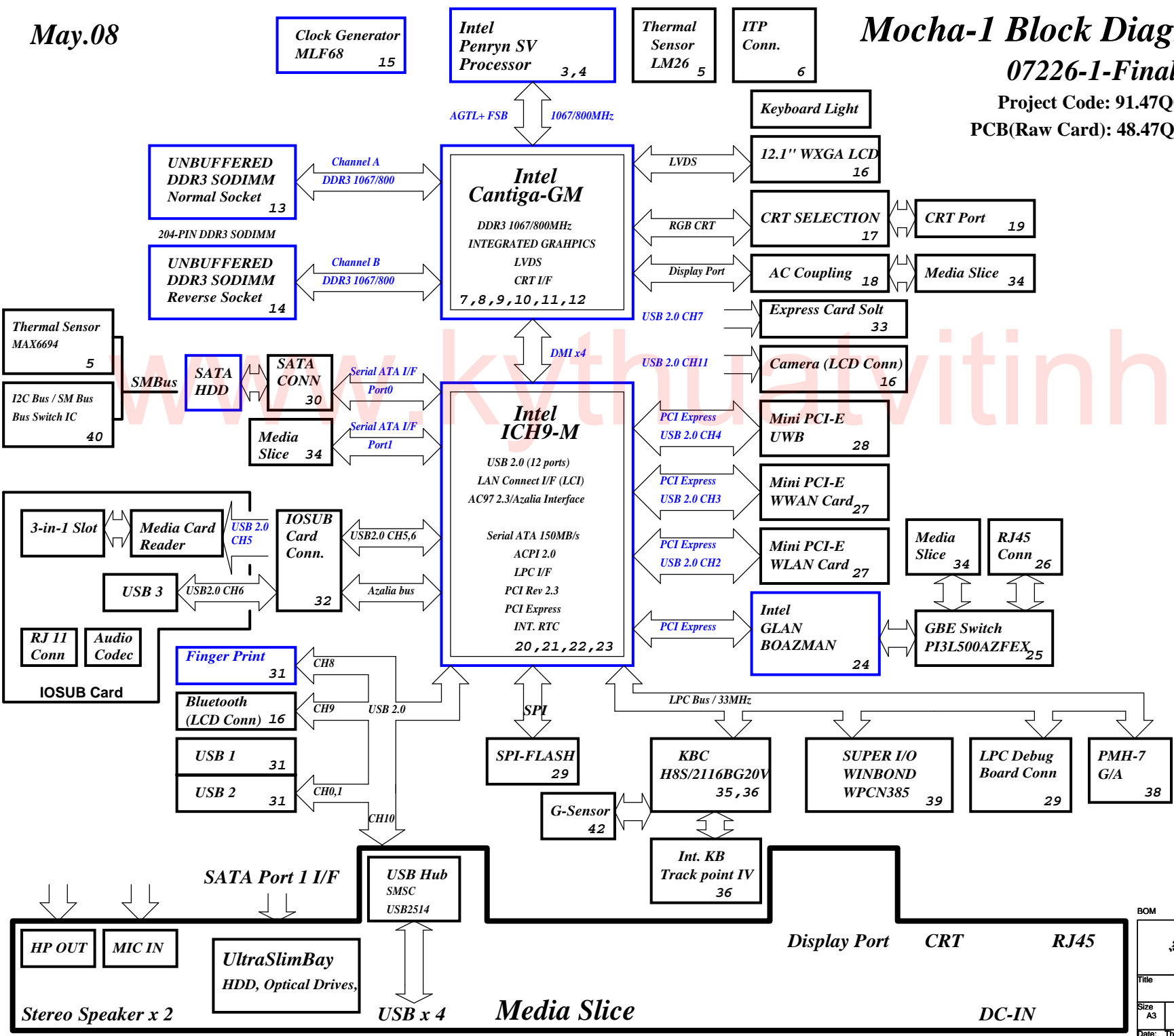
MAX1510 54	
VCCIR5A	VCC0R75AMT

## VCCIR8B

BD3550 55	
VCC3M	VCCIR8B

## VCCIR05AUX/IR8AUX

BD3550 56	
VCC3M	VCCIR05AUX
	VCCIR8AUX



BOM

緯創資通 Wistron Corporation  
21F, 88, Sec.1, Hsin Tai Wu Rd., Hsichih, Taipei Hsien 221, Taiwan, R.O.C.

Block Diagram		
Size A3	Document Number	Rev -1
Mocha-1		
Date: Thursday, May 08, 2008	Sheet 1	of 62

### RESISTOR

Symbol name	Value	Tolerance (J: 5%, F: 1%, D: 0.5%, B: 0.1 %)	Rating 0402=> 1/16W, 25V 0603 => 1/16W, 75V 0805 => 1/10W, 100V	Size 2=>0402, 3=>0603, 5=>0805, 6=>1206, 0=>1210
10KR3	10K Ohm	If no letter, it means J: 5%	1/16W, 75V	0603
33D3R5	33.3 Ohm	If no letter, it means J: 5%	1/10W, 100V	0805
1KR3F	1K Ohm	F: 1%	1/16W, 75V	0603

The naming rule is value + R + size + tolerance  
 For the value, it can be read by the number before R. (R means resistor)  
 For the tolerance, it can be read from the last letter.  
 For the rating, we don't show on the symbol name.  
 For the size, R2=>0402, R3=>0603, R5=>0805,.....

### CAPACITOR

Symbol name	Value	Tolerance (M: +/-20, K: +/-10, Z: +80/-20)	Rating	Size 2=>0402, 3=>0603, 5=>0805, 6=>1206, 0=>1210
SCD1U10V2MX-1	0.1uF	M/X5R	10V	0402
SC10U6D3V5MX	10uF	M/X5R	6.3V	0805
SC2D2U16V5ZY	2.2uF	Z/Y5V	16V	0805

The naming rule is  
 Capacitor type + value + rating + size + tolerance + material  
 SCD1U10V2MX-1  
 SC=> SMT Ceramic, TC=> POS cap or SP cap  
 D1U => 0.1uF  
 10V => the voltage rating is 10V  
 2=> 0402, 3=>0603, 5=>0805  
 M=>tolerance M, K, Z  
 X=> X7R/X5R, Y=> Y5V  
 -1 => symbol version, nonsense to EE characteristic

### PLANAR\_ID[3..0]

ICH8-M GPIO n	39	38	37	36	Planar ID Version	Planar PCB Version
PLANAR_IDn	3	2	1	0		
	0	0	0	0	Mocha-1 Pre-DV	SA
	0	0	0	1	Mocha-1 DV	SB
	0	0	1	0	Mocha-1 SIV	SC
	0	0	1	1	Mocha-1 SIV (3 Phase)	FC
	0	1	0	0	Mocha-1 SIT	SD,SE
	0	1	0	1	Mocha-1 SVT	1
	0	1	1	0		
	0	1	1	1		

### EC HISTORY

Stage	Date	EC No.	Page	Note

### PCI TABLE

DEVICE	IDSEL	IRQ (Default)	REQ# / GNT#
MINIPCI SLOT	AD18	F, G	REQ# 3/ GNT#3
CARDBUS R5C811	AD16	SERIRQ	REQ#0 / GNT#0
USB UHCI	AD29	A, C, D	
USB 2.0 EHCI	AD29	H	
DMI-to-PCI/ AC97 Modem/ AC97 Audio	AD30	B B	
LPC Bridge IDE SATA SMBus	AD31	C C B	
PCI Express	AD28	A, B, C, D	

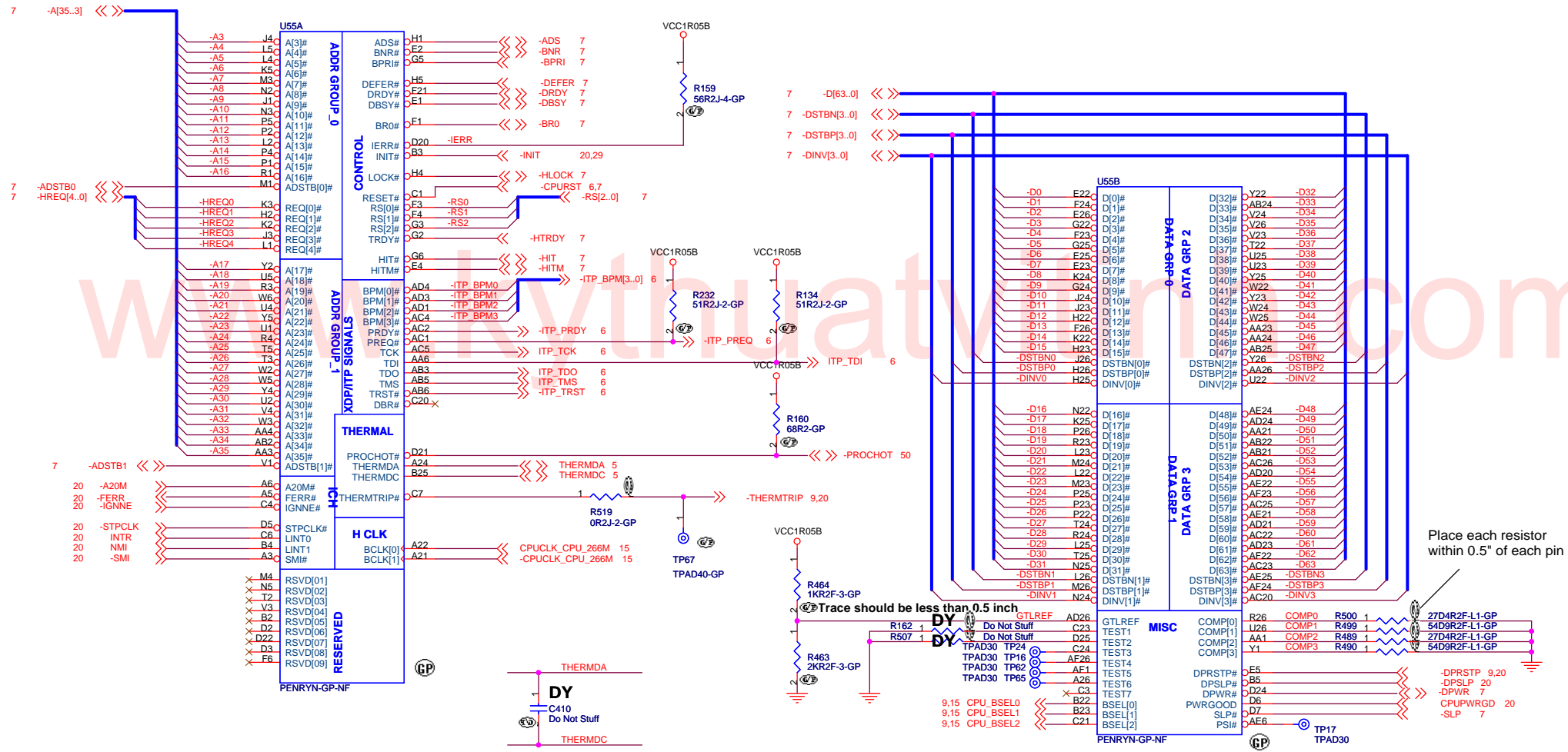
BOM

**緯創資通** Wistron Corporation  
 21F, 88, Sec.1, Hsin Tai Wu Rd., Hsichih, Taipei Hsien 221, Taiwan, R.O.C.

Title: **Reference**

Size A3 Document Number: **Mocha-1** Rev: **-1**

Date: Thursday, May 08, 2008 Sheet 2 of 62



BOM

<b>緯創資通 Wistron Corporation</b> 21F, 88, Sec. 1, Hsin Tai Wu Rd., Hsichih, Taipei Hsien 221, Taiwan, R.O.C.	
Title	
<b>Penryn CPU(1/2)</b>	
Size A3	Document Number
<b>Mocha-1</b>	
Date: Thursday, May 08, 2008	Sheet 3 of 62

TP64  
TPAD34

TP18  
TPAD34

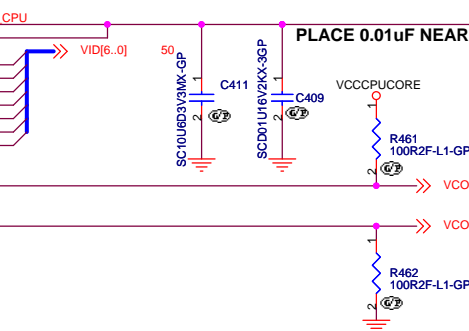
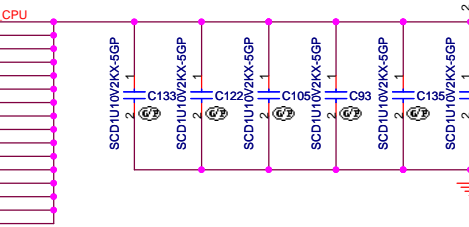
VCCCPUCORE

VCCCPUCORE

U55C

A7	VCC[001]	VCC[068]
A9	VCC[002]	VCC[069]
A10	VCC[003]	VCC[070]
A12	VCC[004]	VCC[071]
A13	VCC[005]	VCC[072]
A15	VCC[006]	VCC[073]
A17	VCC[007]	VCC[074]
A18	VCC[008]	VCC[075]
A20	VCC[009]	VCC[076]
B7	VCC[010]	VCC[077]
B9	VCC[011]	VCC[078]
B10	VCC[012]	VCC[079]
B12	VCC[013]	VCC[080]
B14	VCC[014]	VCC[081]
B15	VCC[015]	VCC[082]
B17	VCC[016]	VCC[083]
B18	VCC[017]	VCC[084]
B20	VCC[018]	VCC[085]
C9	VCC[019]	VCC[086]
C10	VCC[020]	VCC[087]
C12	VCC[021]	VCC[088]
C13	VCC[022]	VCC[089]
C15	VCC[023]	VCC[090]
C17	VCC[024]	VCC[091]
C18	VCC[025]	VCC[092]
D9	VCC[026]	VCC[093]
D10	VCC[027]	VCC[094]
D12	VCC[028]	VCC[095]
D14	VCC[029]	VCC[096]
D15	VCC[030]	VCC[097]
D17	VCC[031]	VCC[098]
D18	VCC[032]	VCC[099]
E7	VCC[033]	VCC[100]
E9	VCC[034]	VCC[101]
E10	VCC[035]	VCC[102]
E12	VCC[036]	VCC[103]
E13	VCC[037]	VCC[104]
E15	VCC[038]	VCC[105]
E17	VCC[039]	VCC[106]
E18	VCC[040]	VCC[107]
E20	VCC[041]	VCC[108]
F7	VCC[042]	VCC[109]
F9	VCC[043]	VCC[110]
F10	VCC[044]	VCC[111]
F12	VCC[045]	VCC[112]
F14	VCC[046]	VCC[113]
F15	VCC[047]	VCC[114]
F17	VCC[048]	VCC[115]
F18	VCC[049]	VCC[116]
F20	VCC[050]	VCC[117]
AA7	VCC[051]	VCC[118]
AA9	VCC[052]	VCC[119]
AA10	VCC[053]	VCC[120]
AA12	VCC[054]	VCC[121]
AA13	VCC[055]	VCC[122]
AA15	VCC[056]	VCC[123]
AA17	VCC[057]	VCC[124]
AA18	VCC[058]	VCC[125]
AA20	VCC[059]	VCC[126]
AB9	VCC[060]	VCC[127]
AC10	VCC[061]	VCC[128]
AC10	VCC[062]	VCC[129]
AB12	VCC[063]	VCC[130]
AB14	VCC[064]	VCC[131]
AB15	VCC[065]	VCC[132]
AB17	VCC[066]	VCC[133]
AB18	VCC[067]	VCC[134]
AD6	VID0	VID[6..0]
AE5	VID1	
AE5	VID2	
AE4	VID3	
AE3	VID4	
AE3	VID5	
AE2	VID6	
AF7	VCCSENSE	VCCORE_VCCSENCE 50
AE7	VSSSENSE	VCCORE_VSSSENCE 50

AB20	AC7	AC9	AC12	AC13	AC15	AC17	AC18	AD7	AD9	AD10	AD12	AD14	AD15	AD17	AD18	AE9	AE10	AE12	AE13	AE15	AE17	AE18	AE20	AF9	AF10	AF12	AF14	AF15	AF17	AF18	AF20
------	-----	-----	------	------	------	------	------	-----	-----	------	------	------	------	------	------	-----	------	------	------	------	------	------	------	-----	------	------	------	------	------	------	------



U55D

A4	VSS[001]	VSS[082]
A8	VSS[002]	VSS[083]
A11	VSS[003]	VSS[084]
A14	VSS[004]	VSS[085]
A16	VSS[005]	VSS[086]
A19	VSS[006]	VSS[087]
A23	VSS[007]	VSS[088]
AE2	VSS[008]	VSS[089]
B6	VSS[009]	VSS[090]
B8	VSS[010]	VSS[091]
B11	VSS[011]	VSS[092]
B13	VSS[012]	VSS[093]
B16	VSS[013]	VSS[094]
B19	VSS[014]	VSS[095]
B21	VSS[015]	VSS[096]
B24	VSS[016]	VSS[097]
C5	VSS[017]	VSS[098]
C8	VSS[018]	VSS[099]
C11	VSS[019]	VSS[100]
C14	VSS[020]	VSS[101]
C16	VSS[021]	VSS[102]
C19	VSS[022]	VSS[103]
C2	VSS[023]	VSS[104]
C22	VSS[024]	VSS[105]
C25	VSS[025]	VSS[106]
D1	VSS[026]	VSS[107]
D4	VSS[027]	VSS[108]
D8	VSS[028]	VSS[109]
D11	VSS[029]	VSS[110]
D13	VSS[030]	VSS[111]
D16	VSS[031]	VSS[112]
D19	VSS[032]	VSS[113]
D23	VSS[033]	VSS[114]
D26	VSS[034]	VSS[115]
E3	VSS[035]	VSS[116]
E6	VSS[036]	VSS[117]
E8	VSS[037]	VSS[118]
E11	VSS[038]	VSS[119]
E14	VSS[039]	VSS[120]
E16	VSS[040]	VSS[121]
E19	VSS[041]	VSS[122]
E21	VSS[042]	VSS[123]
E24	VSS[043]	VSS[124]
F5	VSS[044]	VSS[125]
F8	VSS[045]	VSS[126]
F11	VSS[046]	VSS[127]
F13	VSS[047]	VSS[128]
F16	VSS[048]	VSS[129]
F19	VSS[049]	VSS[130]
F2	VSS[050]	VSS[131]
F22	VSS[051]	VSS[132]
F25	VSS[052]	VSS[133]
G4	VSS[053]	VSS[134]
G1	VSS[054]	VSS[135]
G23	VSS[055]	VSS[136]
G26	VSS[056]	VSS[137]
H3	VSS[057]	VSS[138]
H6	VSS[058]	VSS[139]
H21	VSS[059]	VSS[140]
H24	VSS[060]	VSS[141]
J2	VSS[061]	VSS[142]
J22	VSS[062]	VSS[143]
J25	VSS[063]	VSS[144]
K1	VSS[064]	VSS[145]
K4	VSS[065]	VSS[146]
K4	VSS[066]	VSS[147]
K23	VSS[067]	VSS[148]
K26	VSS[068]	VSS[149]
L3	VSS[069]	VSS[150]
L6	VSS[070]	VSS[151]
L21	VSS[071]	VSS[152]
L24	VSS[072]	VSS[153]
M2	VSS[073]	VSS[154]
M5	VSS[074]	VSS[155]
M22	VSS[075]	VSS[156]
M25	VSS[076]	VSS[157]
N1	VSS[077]	VSS[158]
N4	VSS[078]	VSS[159]
N23	VSS[079]	VSS[160]
N26	VSS[080]	VSS[161]
P3	VSS[081]	VSS[162]
B1	VSS	VSS[163]

P6	P21	P24	R2	R5	R22	R25	T1	T4	T23	T26	U3	U6	U21	U24	U2	V5	V22	V25	W1	W4	W23	W26	Y3	Y6	Y21	Y24	AA2	AA5	AA8	AA11	AA14	AA16	AA19	AA22	AA25	AB1	AB4	AB8	AB11	AB13	AB16	AB19	AB23	AB26	AC3	AC6	AC9	AC11	AC14	AC16	AC19	AC21	AD2	AD5	AD8	AD11	AD13	AD16	AD19	AD22	AD25	AE1	AE4	AE8	AE16	AE19	AE23	AE26	AE6	AE8	AF11	AF13	AF16	AF19	AF21	A25	AF25
----	-----	-----	----	----	-----	-----	----	----	-----	-----	----	----	-----	-----	----	----	-----	-----	----	----	-----	-----	----	----	-----	-----	-----	-----	-----	------	------	------	------	------	------	-----	-----	-----	------	------	------	------	------	------	-----	-----	-----	------	------	------	------	------	-----	-----	-----	------	------	------	------	------	------	-----	-----	-----	------	------	------	------	-----	-----	------	------	------	------	------	-----	------

BOM

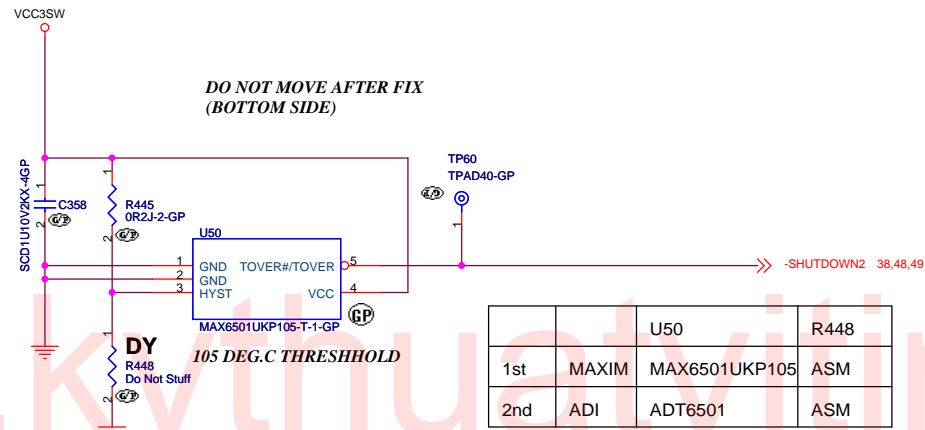
**緯創資通 Wistron Corporation**  
21F, 88, Sec. 1, Hsin Tai Wu Rd., Hsichih, Taipei Hsien 221, Taiwan, R.O.C.

Title: **Penryn CPU(2/2)**

Size A3 Document Number: **Mocho-1** Rev: **-1**

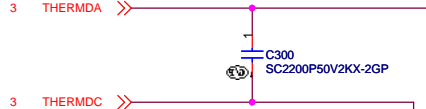
Date: Thursday, May 08, 2008 Sheet 4 of 62

# Thermal Sensor for CPU

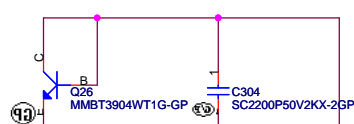


THESE CAPS MUST BE PLACED AS CLOSE AS POSSIBLE TO MAX6694

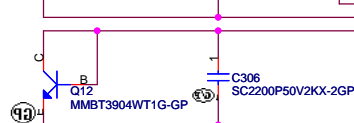
TO CPU DIE



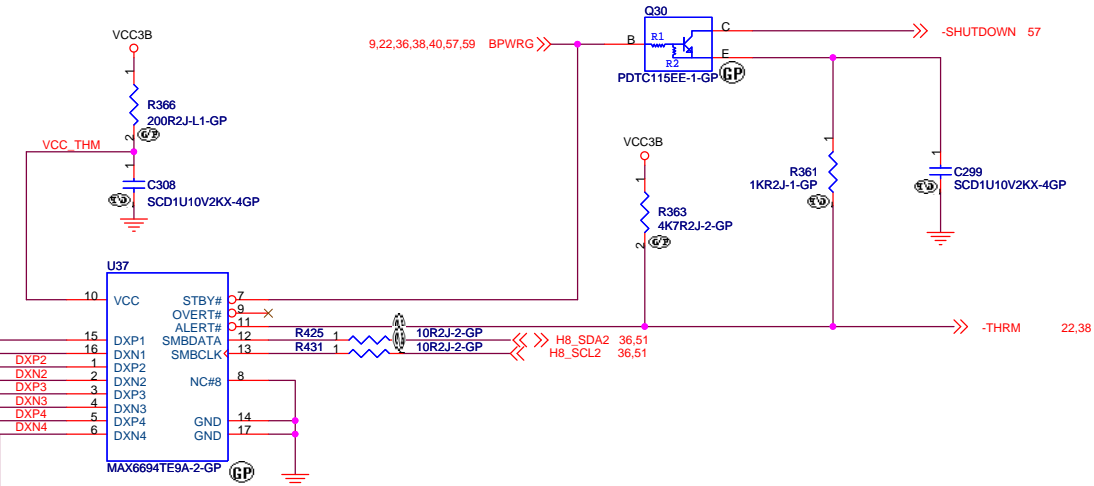
TO DIMM



TO VCORE FET



TO MINI CARD



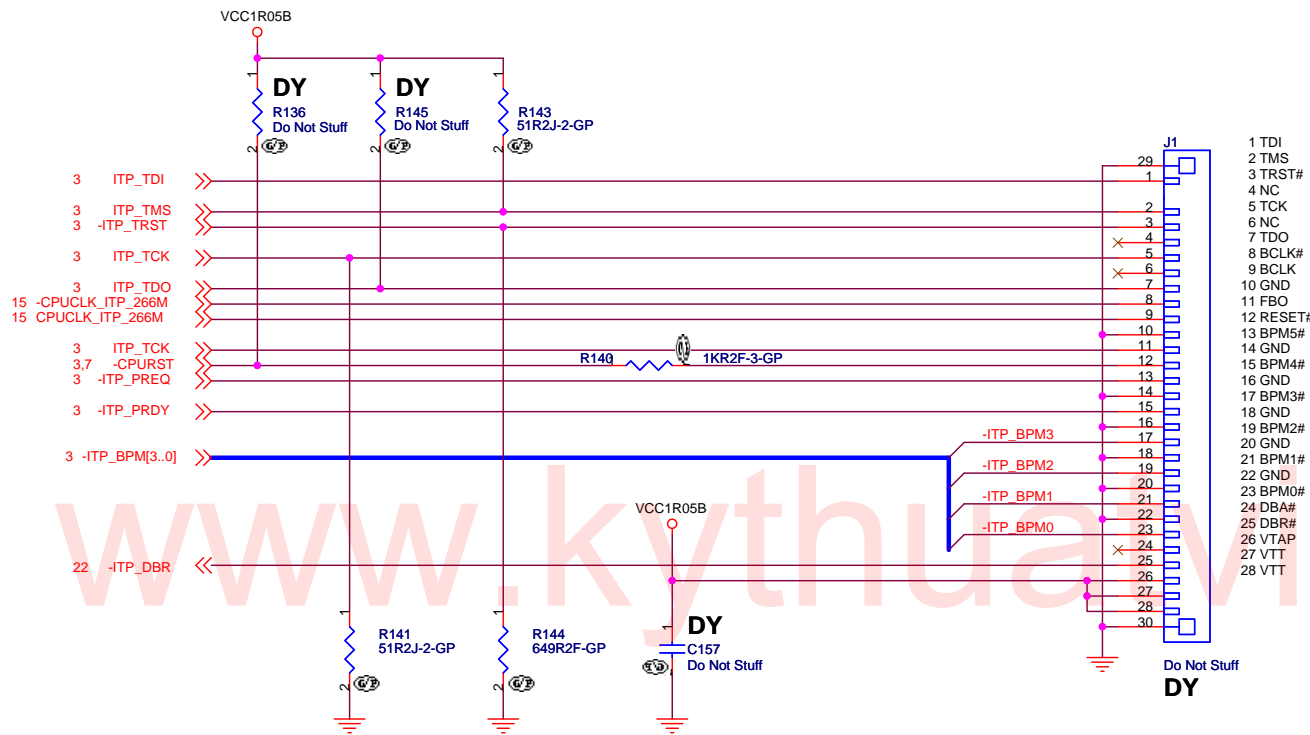
PLACE UNDER PC-CARD SLOT  
H8 I2C Bus 2 ADDRESS : 9AH  
TEST PAD FOR BOARD MFG TEST

## Layout Comment :

- (1) Thermal sensor trace lines should not be overlapped with other high frequency trace lines in other layers.
- (2) Also, it should not be overlapped with large amplitude trace lines either.

BOM

緯創資通		Wistron Corporation	
		21F, 88, Sec.1, Hsin Tai Wu Rd., Hsichih, Taipei Hsien 221, Taiwan, R.O.C.	
Title: THERMAL SENSOR			
Size: A3	Document Number:	Mocha-1	Rev: -1
Date: Thursday, May 08, 2008		Sheet 5 of 62	

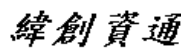


(\*1) TCK SIGNAL IS BRANCHED AT CPU'S PIN

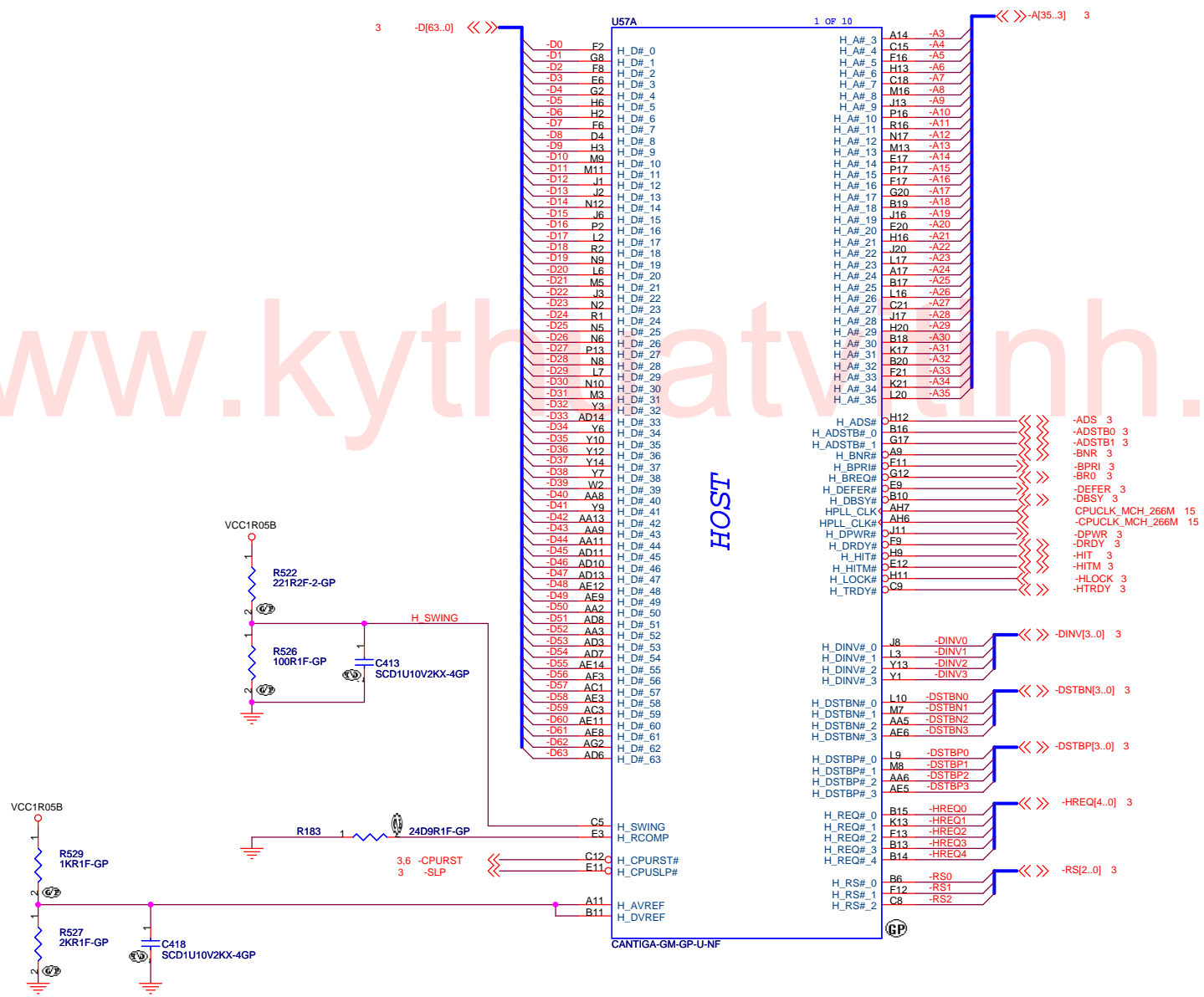
(\*2) CPURST# SIGNAL IS BRANCHED AT GMCH'S PIN

Ref Des	For ITP-XDP
J1	NO_ASM-->ASM
C157	NO_ASM-->ASM
R140	NO_ASM-->1K 5% ASM
R144	ASM (No Change)
R136	ASM-->NO_ASM
R145	ASM (No Change)
R141	ASM-->51 5% ASM
R143	ASM-->51 5% ASM

BOM

 <b>Wistron Corporation</b> 21F, 88, Sec.1, Hsin Tai Wu Rd., Hsichih, Taipei Hsien 221, Taiwan, R.O.C.	
<b>ITP CONN</b>	
Size	Document Number
Custom	<b>Mocha-1</b>
Date: Thursday, May 08, 2008	Rev -1
Sheet 6	of 62

www.kythsatv.com

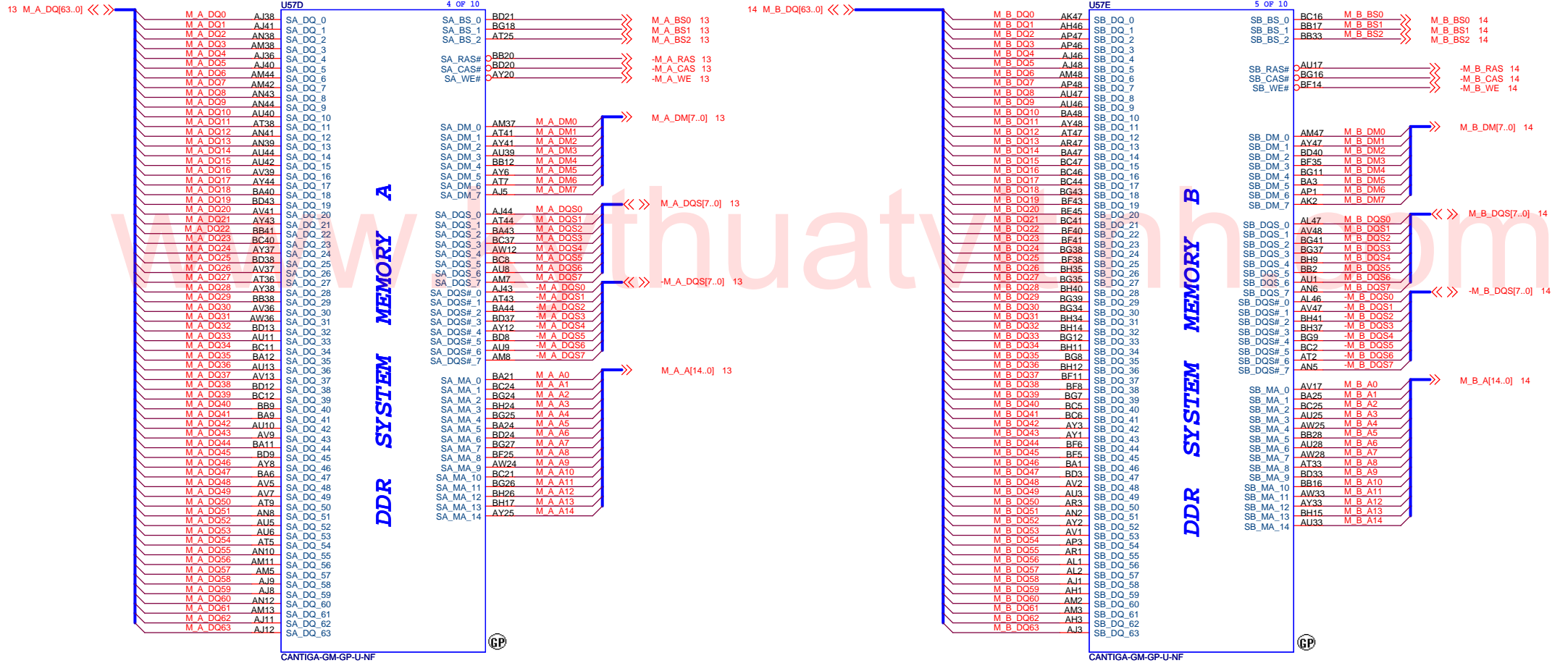


Route H\_XSWING & H\_YSWING  
10 mil wide / 20 mil spacing

Route H\_XRCOMP &  
H\_YRCOMP 10 mil wide /  
20 mil spacing

BOM

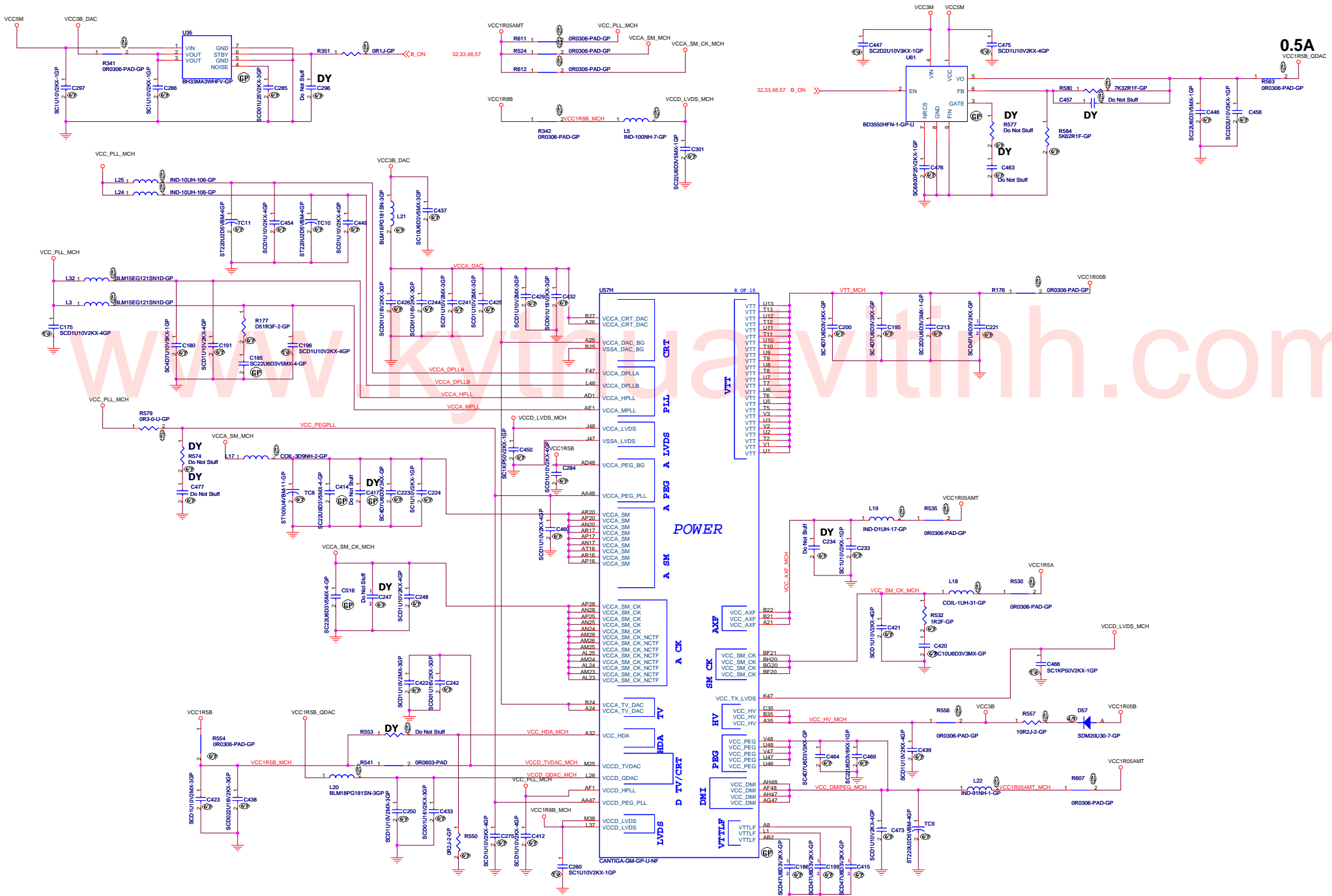
		<b>Wistron Corporation</b> 21F, 88, Sec.1, Hsin Tai Wu Rd., Hsichih, Taipei Hsien 221, Taiwan, R.O.C.
<b>Title</b> Cantiga(1/6):HOST I/F		
<b>Size</b> A3	<b>Document Number</b> Mocha-1	<b>Rev</b> -1
<b>Date:</b> Thursday, May 08, 2008 <b>Sheet</b> 7 <b>of</b> 62		



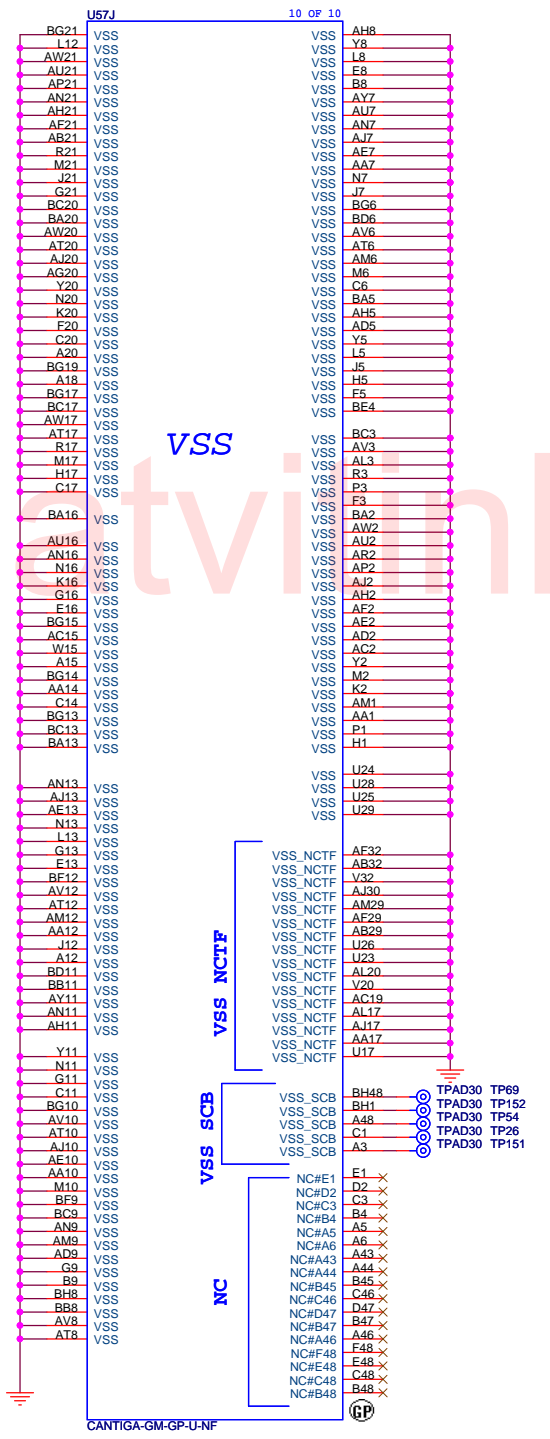
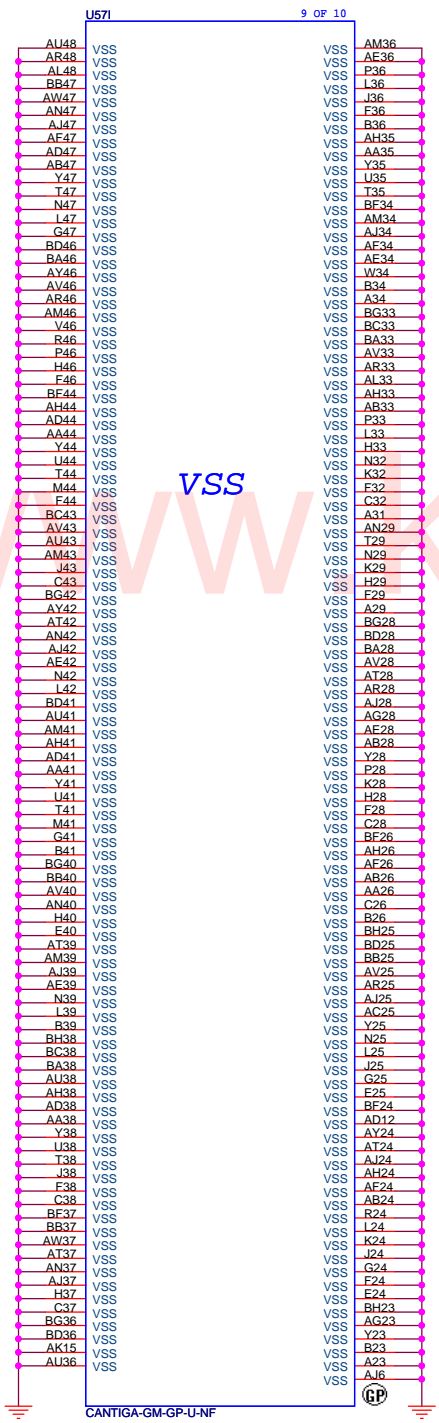








0.5A  
VCC1R5B\_QDAC



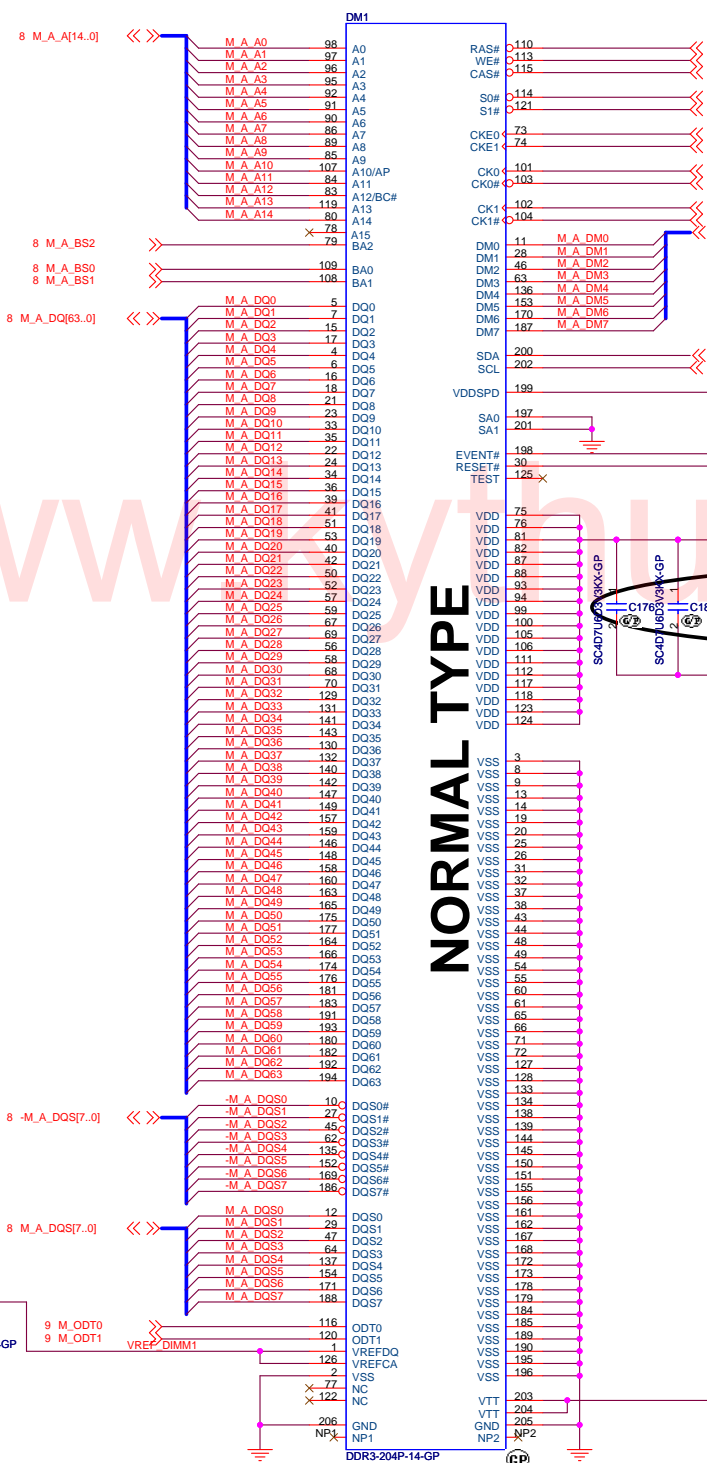
BOM

**緯創資通** Wistron Corporation  
 21F, 88, Sec.1, Hsin Tai Wu Rd., Hsichih,  
 Taipei Hsien 221, Taiwan, R.O.C.

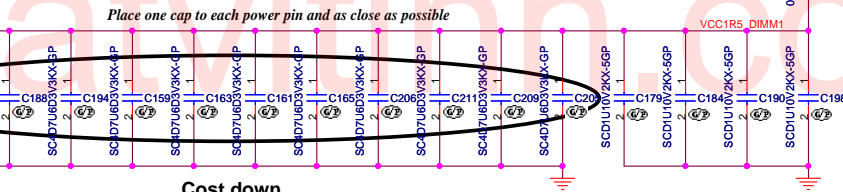
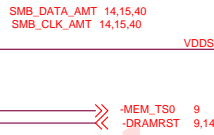
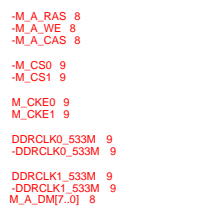
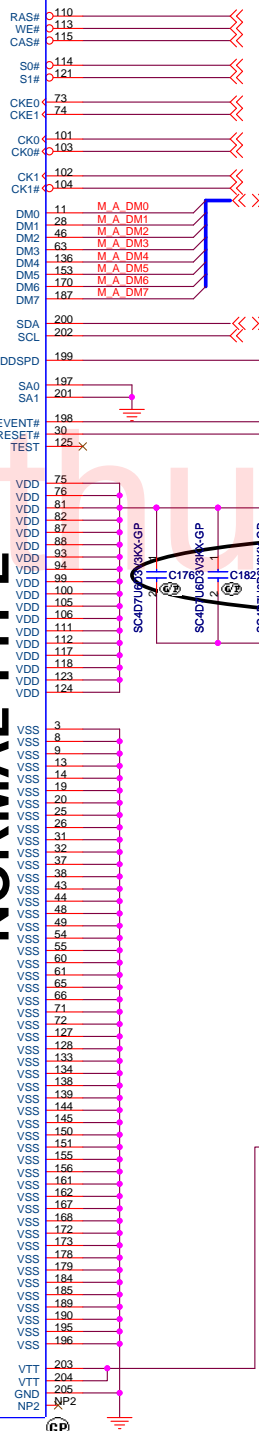
Title: **Cantiga(6/6):GND**

Size: A3 Document Number: **Mocha-1** Rev: -1

Date: Thursday, May 08, 2008 Sheet 12 of 62

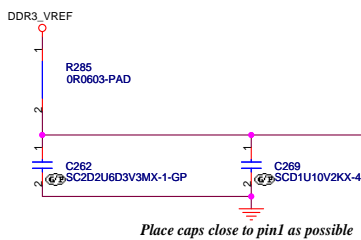


NORMAL TYPE

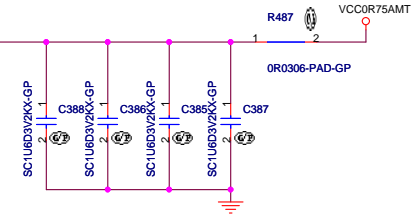


Place one cap to each power pin and as close as possible

Cost down



Place caps close to pin1 as possible



BOM

<b>緯創資通</b>		<b>Wistron Corporation</b>	
		21F, 88, Sec.1, Hsin Tai Wu Rd., Hsichih, Taipei Hsien 221, Taiwan, R.O.C.	
<b>Title</b>			
<b>DDR3 SODIMM-A (NORMAL TYPE)</b>			
Size	Document Number	Rev	
Custom		Mocha-1	-1
Date: Thursday, May 08, 2008			
		Sheet 13	of 62

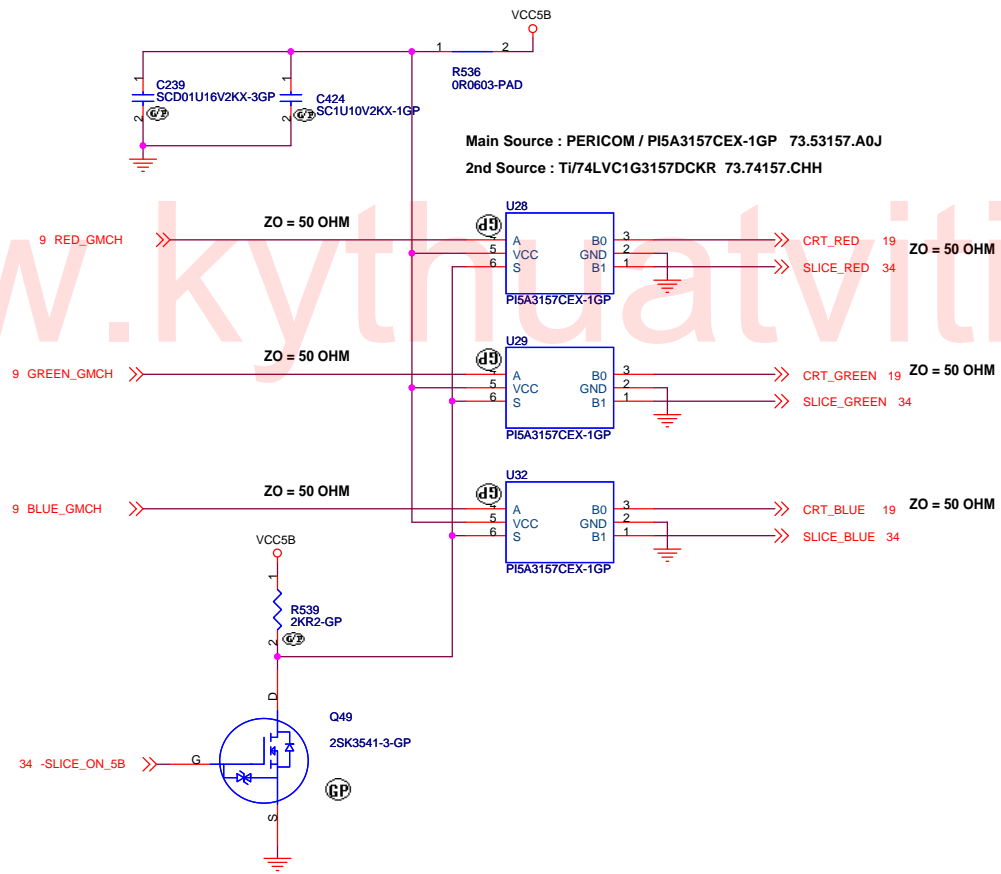




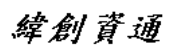




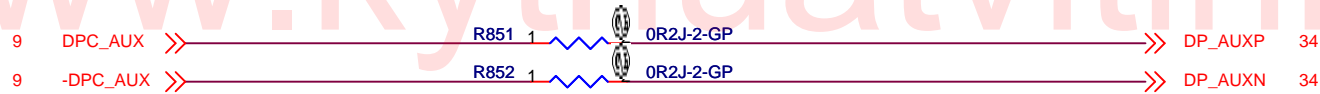
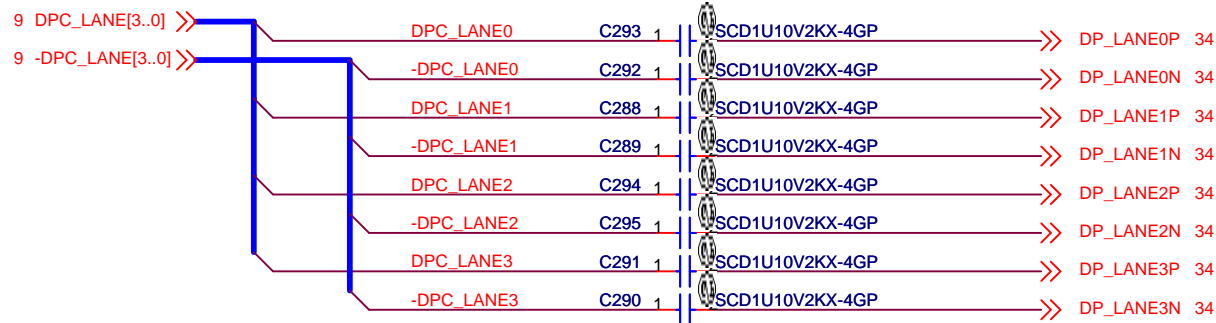
www.kytronicatvithinh.com



BOM


 <b>Wistron Corporation</b> 21F, 88, Sec.1, Hsin Tai WU Rd., Hsichih, Taipei Hsien 221, Taiwan, R.O.C.	
<b>CRT SELECTOR</b>	
Size A3	Document Number <b>Mocha-1</b>
Date: Thursday, May 08, 2008	Rev -1
Sheet 17 of 62	

# System DP: GMCH to SLICE Connector

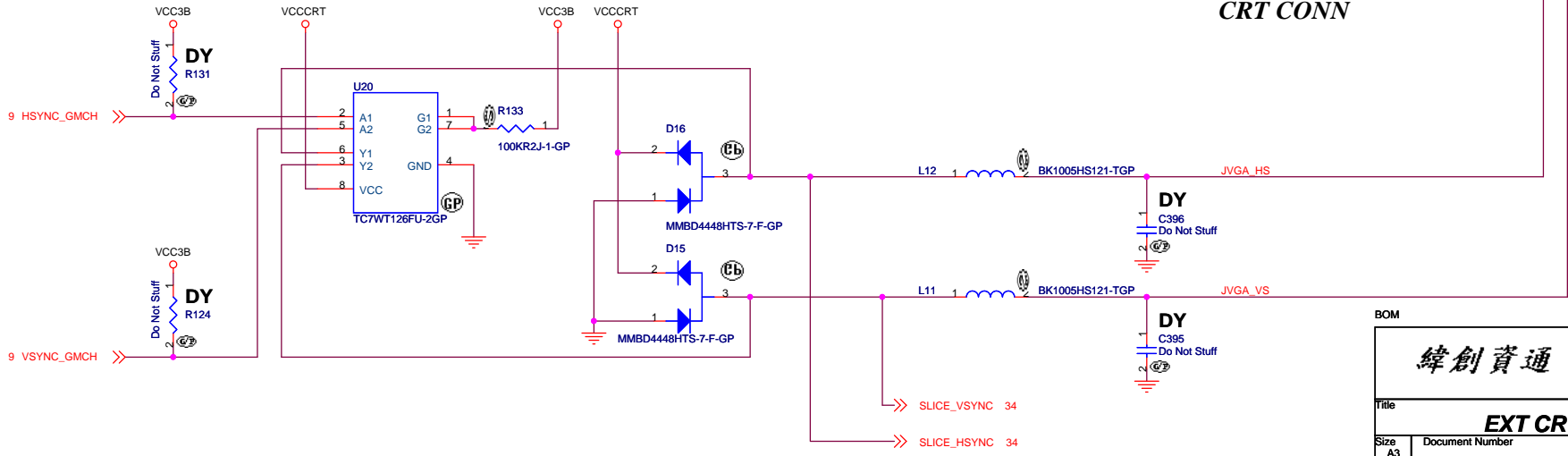
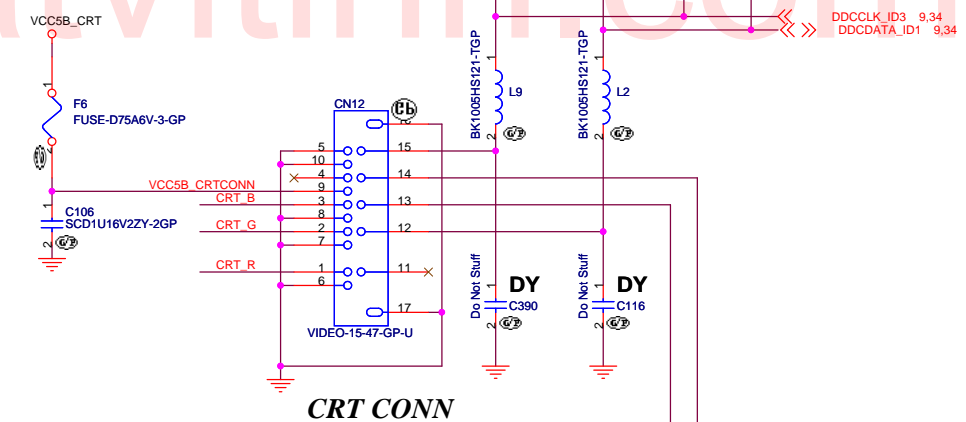
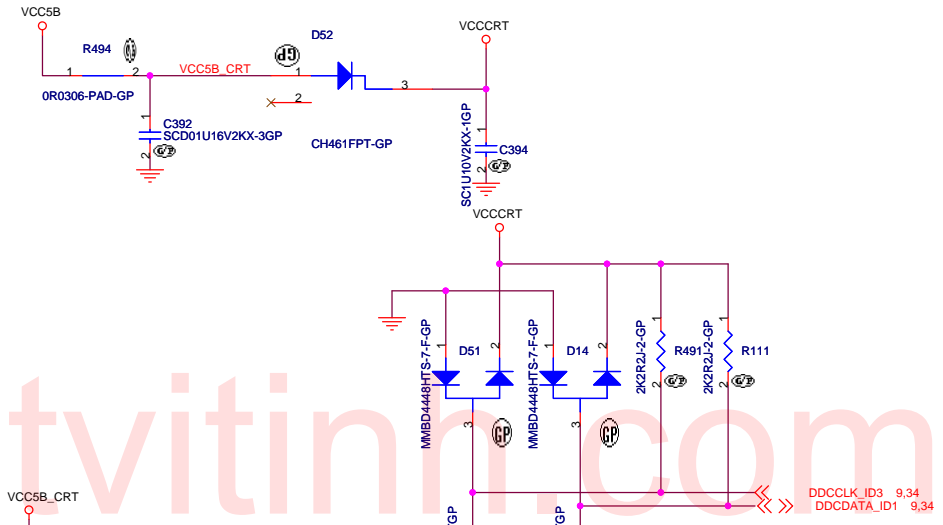
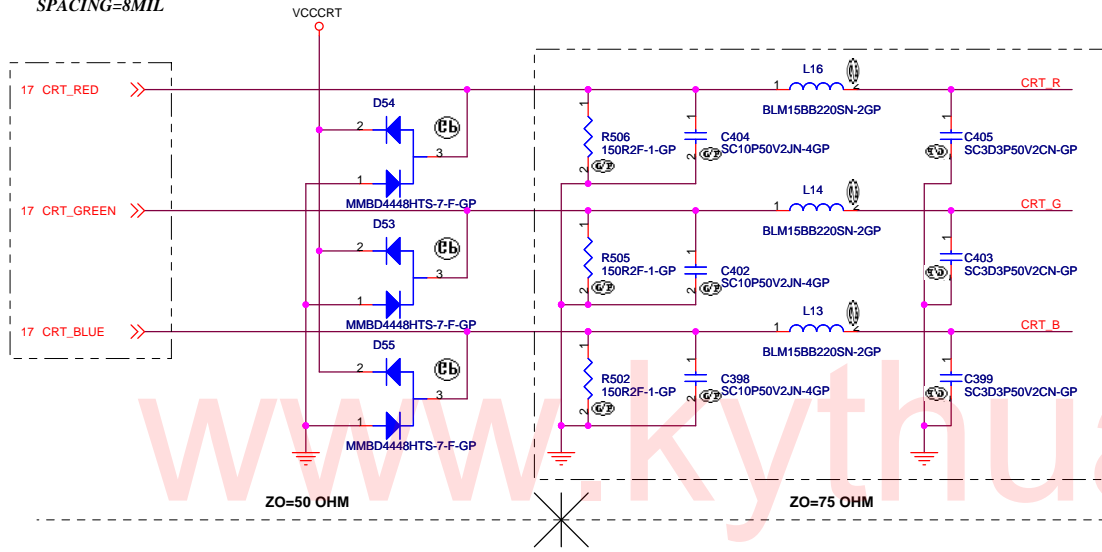


www.kythuatvithinh.com

BOM

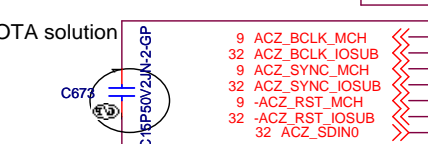
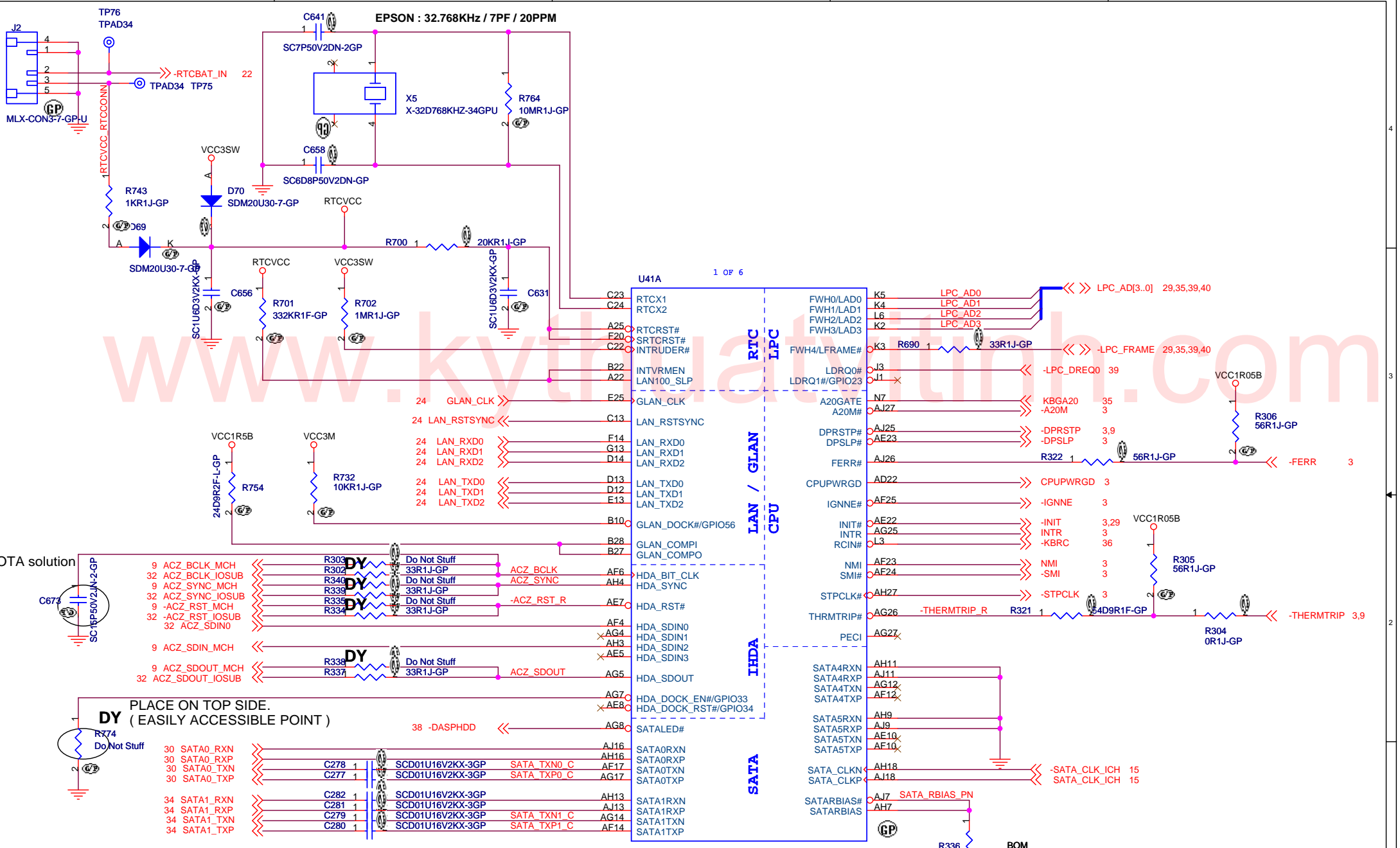
 <b>Wistron Corporation</b> 21F, 88, Sec.1, Hsin Tai Wu Rd., Hsichih, Taipei Hsien 221, Taiwan, R.O.C.	
<b>Title</b> <b>Display Port AC Coupling</b>	
<b>Size</b> A4	<b>Document Number</b> <b>Mocha-1</b>
<b>Date:</b> Thursday, May 08, 2008	<b>Rev</b> -1
<b>Date:</b> Thursday, May 08, 2008 <b>Sheet</b> 18 <b>of</b> 62	

GND GUARDING  
 EACH SIGNAL WIDTH DEPENDS ON ZO(TRACE IMPEDANCE)  
 SPACING=8MIL

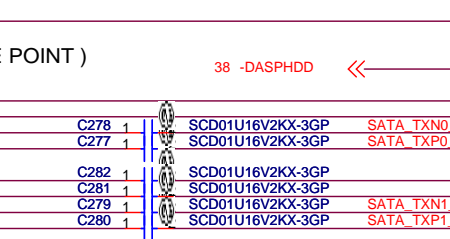
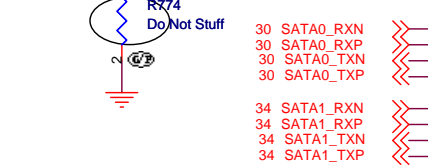


BOM

<b>緯創資通</b>		<b>Wistron Corporation</b>	
		21F, 88, Sec.1, Hsin Tai WJ Rd., Hsichih, Taipei Hsien 221, Taiwan, R.O.C.	
Title <b>EXT CRT INTERFACE</b>			
Size A3	Document Number	<b>Mocha-1</b>	Rev -1
Date: Thursday, May 08, 2008		Sheet 19	of 62



PLACE ON TOP SIDE.  
**DY**  
 (EASILY ACCESSIBLE POINT)



ICH9M-GP-NF

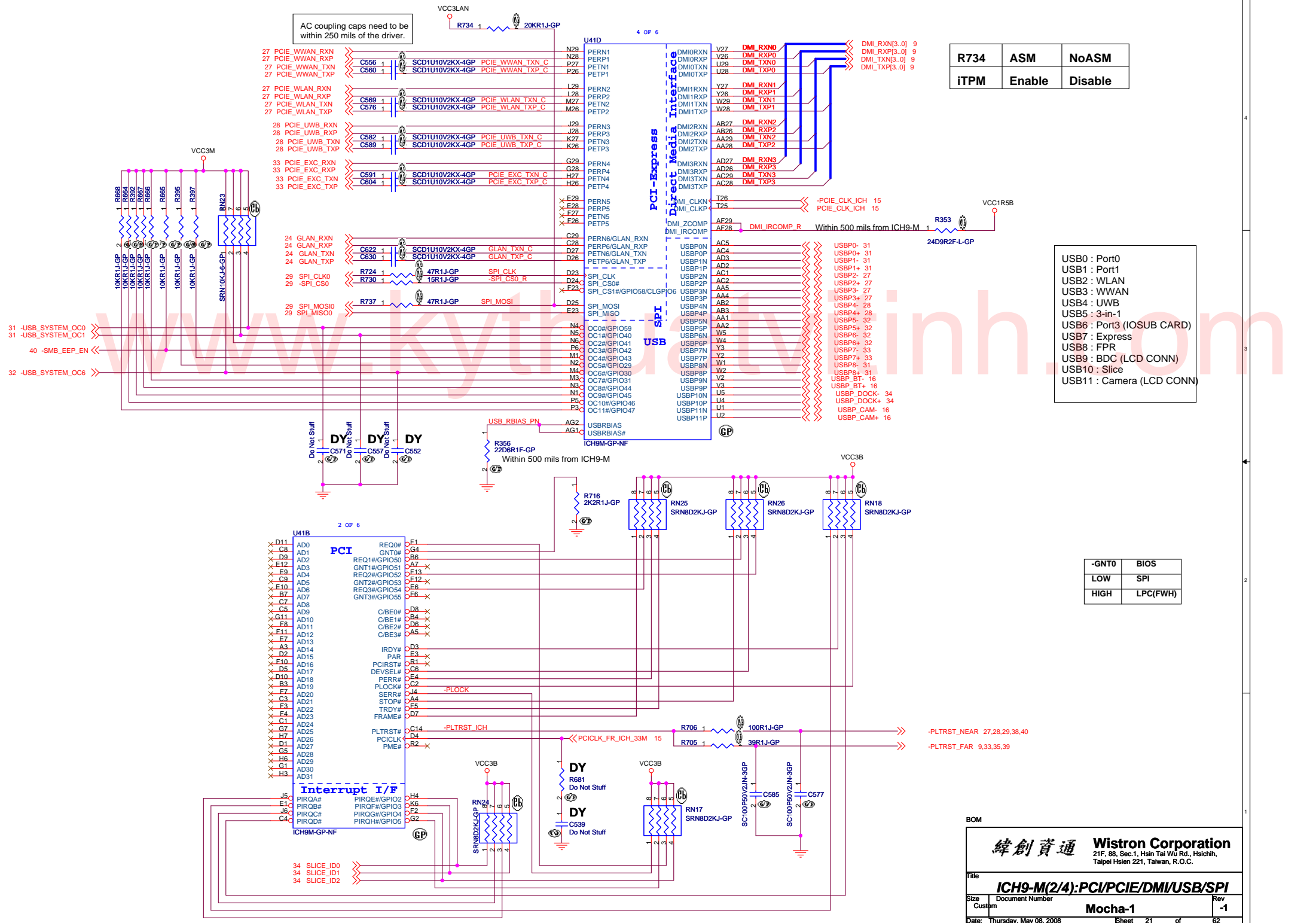
**BOM**

**緯創資通 Wistron Corporation**  
 21F, 88, Sec.1, Hsin Tai Wu Rd., Hsichih,  
 Taipei Hsien 221, Taiwan, R.O.C.

Title: **ICH9-M(1/4):ATA/AC97/LPC**

Size	Document Number	Rev
Custom	<b>Mocha-1</b>	-1

Date: Thursday, May 08, 2008 Sheet 20 of 62



AC coupling caps need to be within 250 mils of the driver.

R734	ASM	NoASM
ITPM	Enable	Disable

- USB0 : Port0
- USB1 : Port1
- USB2 : WLAN
- USB3 : WWAN
- USB4 : UWB
- USB5 : 3-in-1
- USB6 : Port3 (IOSUB CARD)
- USB7 : Express
- USB8 : FPR
- USB9 : BDC (LCD CONN)
- USB10 : Slice
- USB11 : Camera (LCD CONN)

-GNT0	BIOS
LOW	SPI
HIGH	LPC(FWH)

BOM

**緯創資通 Wistron Corporation**  
 21F, 88, Sec.1, Hsin Tai Wu Rd., Hsichih, Taipei Hsien 221, Taiwan, R.O.C.

Title: **ICH9-M(2/4):PCI/PCIE/DMI/USB/SPI**

Size: Custom Document Number: Mocha-1 Rev: -1

Date: Thursday, May 08, 2008 Sheet 21 of 62

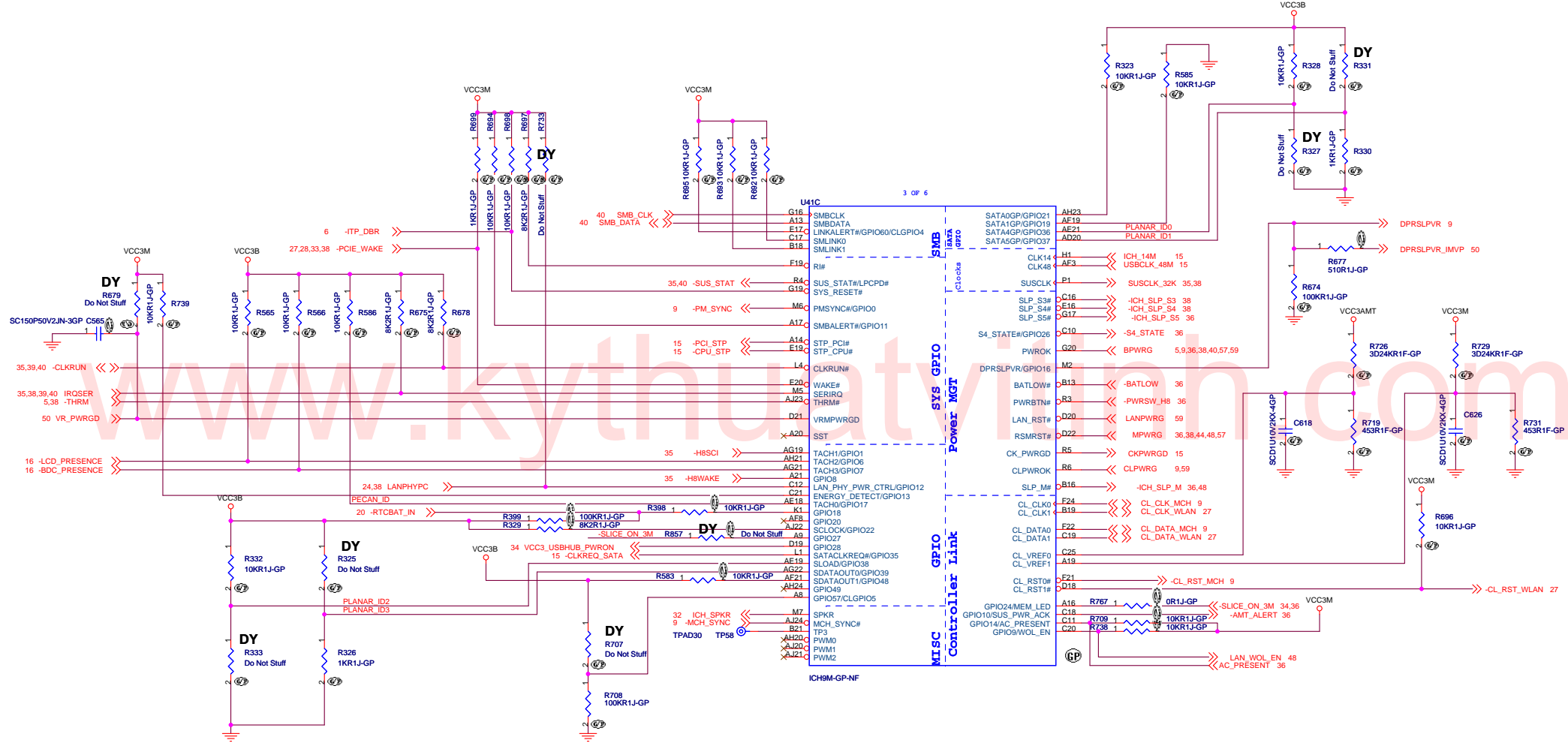
CLGPIO5 PHYSICAL PRESENCE  
ACTIVE HIGH  
CAN USE SOFTWARE OVERRISE FLAG

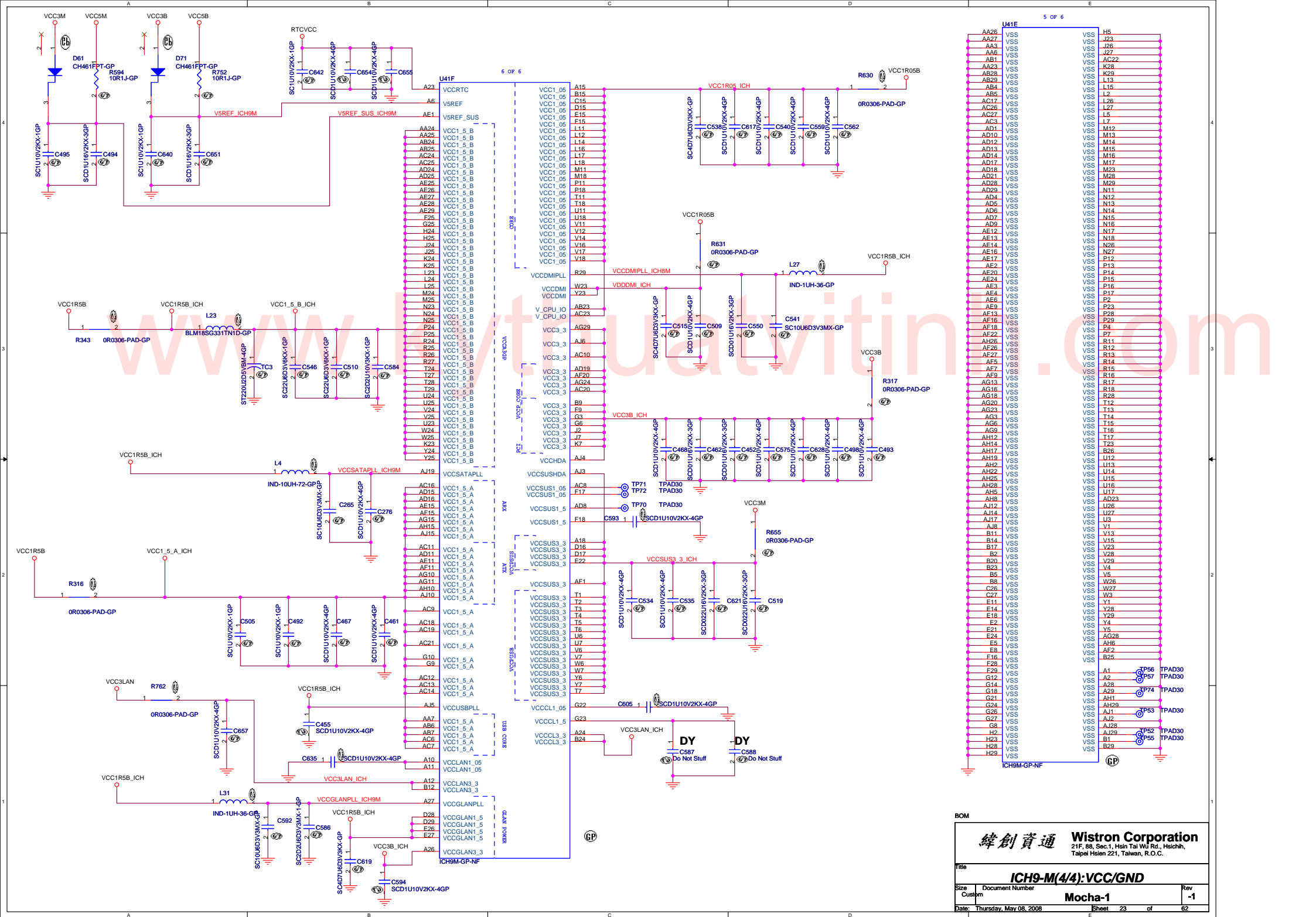
	PECAN_ID
Mocha-1	H
Pecan-1	L
Caramel-1	L

BOM

**緯創資通** Wistron Corporation  
21F, 88, Sec.1, Hsin Tai Wu Rd., Hsichia, Taipei Hsien 221, Taiwan, R.O.C.

Title: **ICH9-M(3/4)-PM/SMB/GPIO**  
 Size: Document Number  
 Custom: Mocha-1 Rev: -1  
 Date: Thursday, May 08, 2008 Sheet 22 of 62





U41E 5 of 6

AA26	VSS	H5
AA27	VSS	J26
AA3	VSS	J26
AA6	VSS	J27
AB1	VSS	AC22
AA24	VSS	K28
AB29	VSS	K29
AB29	VSS	L13
AB4	VSS	L15
AB5	VSS	L2
AC17	VSS	L26
AC26	VSS	L27
AC27	VSS	L5
AC3	VSS	L7
AD1	VSS	M12
AD10	VSS	M13
AD12	VSS	M14
AD13	VSS	M15
AD14	VSS	M16
AD17	VSS	M17
AD18	VSS	M23
AD21	VSS	M28
AD28	VSS	M29
AD29	VSS	N11
AD4	VSS	N12
AD5	VSS	N13
AD6	VSS	N14
AD7	VSS	N15
AD9	VSS	N16
AE12	VSS	N17
AE13	VSS	N18
AE14	VSS	N26
AE15	VSS	N27
AE17	VSS	P12
AE2	VSS	P13
AE20	VSS	P14
AE23	VSS	P15
AE3	VSS	P16
AE4	VSS	P17
AE6	VSS	P2
AE9	VSS	P23
AF13	VSS	P28
AF16	VSS	P29
AF18	VSS	P4
AF22	VSS	P4
AH26	VSS	R11
AH2	VSS	R12
AF26	VSS	R13
AF27	VSS	R14
AE5	VSS	R14
AE7	VSS	R16
AF9	VSS	R16
AG12	VSS	R17
AG13	VSS	R18
AG18	VSS	R28
AG20	VSS	T12
AG3	VSS	T13
AG6	VSS	T14
AG9	VSS	T15
AH12	VSS	T16
AH17	VSS	T17
AH14	VSS	T23
AH17	VSS	B26
AH19	VSS	J12
AH2	VSS	L13
AH22	VSS	U14
AH25	VSS	U15
AH28	VSS	U16
AH5	VSS	U17
AH8	VSS	AD23
AJ12	VSS	U26
AJ14	VSS	U3
AJ17	VSS	U3
AJ8	VSS	V1
B11	VSS	V13
B14	VSS	V15
B17	VSS	V23
B2	VSS	V28
B20	VSS	V29
B23	VSS	V4
B5	VSS	V5
B8	VSS	W26
C26	VSS	W27
C27	VSS	W3
E11	VSS	Y1
E14	VSS	Y28
E18	VSS	Y29
E4	VSS	Y4
E21	VSS	Y5
E24	VSS	AG28
E5	VSS	AH6
EF2	VSS	AF2
F16	VSS	B25
F28	VSS	F28
F29	VSS	F29
G12	VSS	G12
G14	VSS	G14
G18	VSS	G18
AH1	VSS	AH1
G24	VSS	AH29
G26	VSS	AJ1
G27	VSS	AJ2
G8	VSS	A28
H2	VSS	A29
H23	VSS	B1
H28	VSS	B29
H29	VSS	

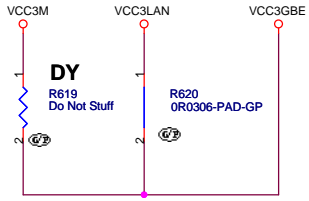
BOM

緯創資通 Wistron Corporation  
21F, Sec.1, Hsin Tai Wu Rd., Hsichih, Taipei Hsien 221, Taiwan, R.O.C.

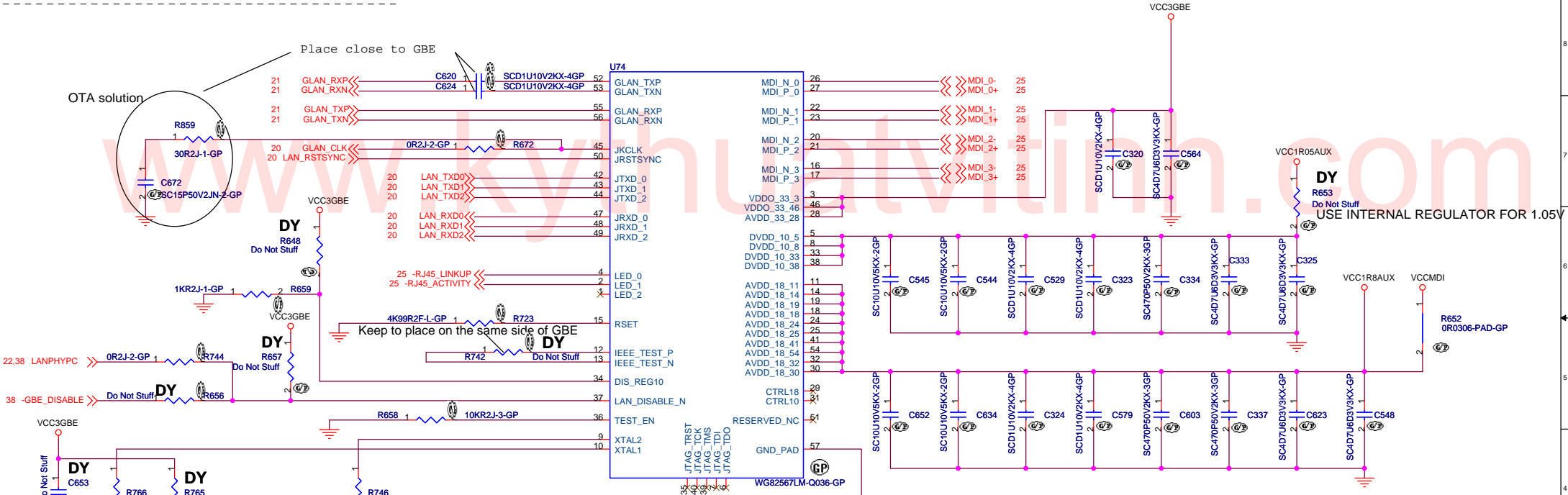
Title: ICH9-M(4/4):VCC/GND

Size: Document Number: Mocha-1

Date: Thursday, May 08, 2008 Sheet 23 of 62



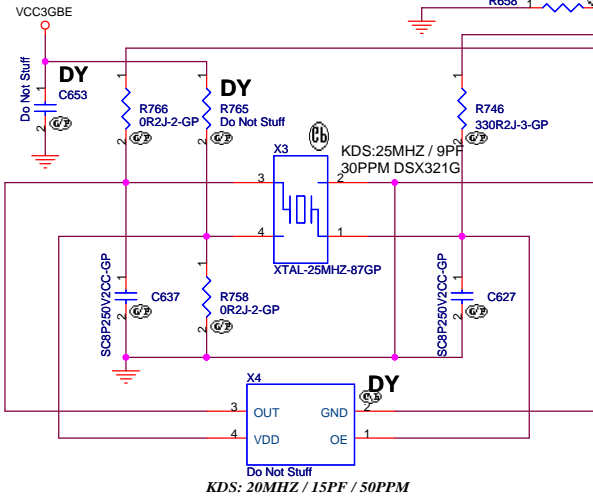
OTA solution



Place close to GBE

Keep to place on the same side of GBE

	Oscillator	Crystor
X3	NO ASM	ASM
C627	NO ASM	ASM
C637	NO ASM	ASM
R746	NO ASM	ASM
R758	NO ASM	ASM
X4	ASM	NO ASM
C653	ASM	NO ASM
R765	ASM	NO ASM



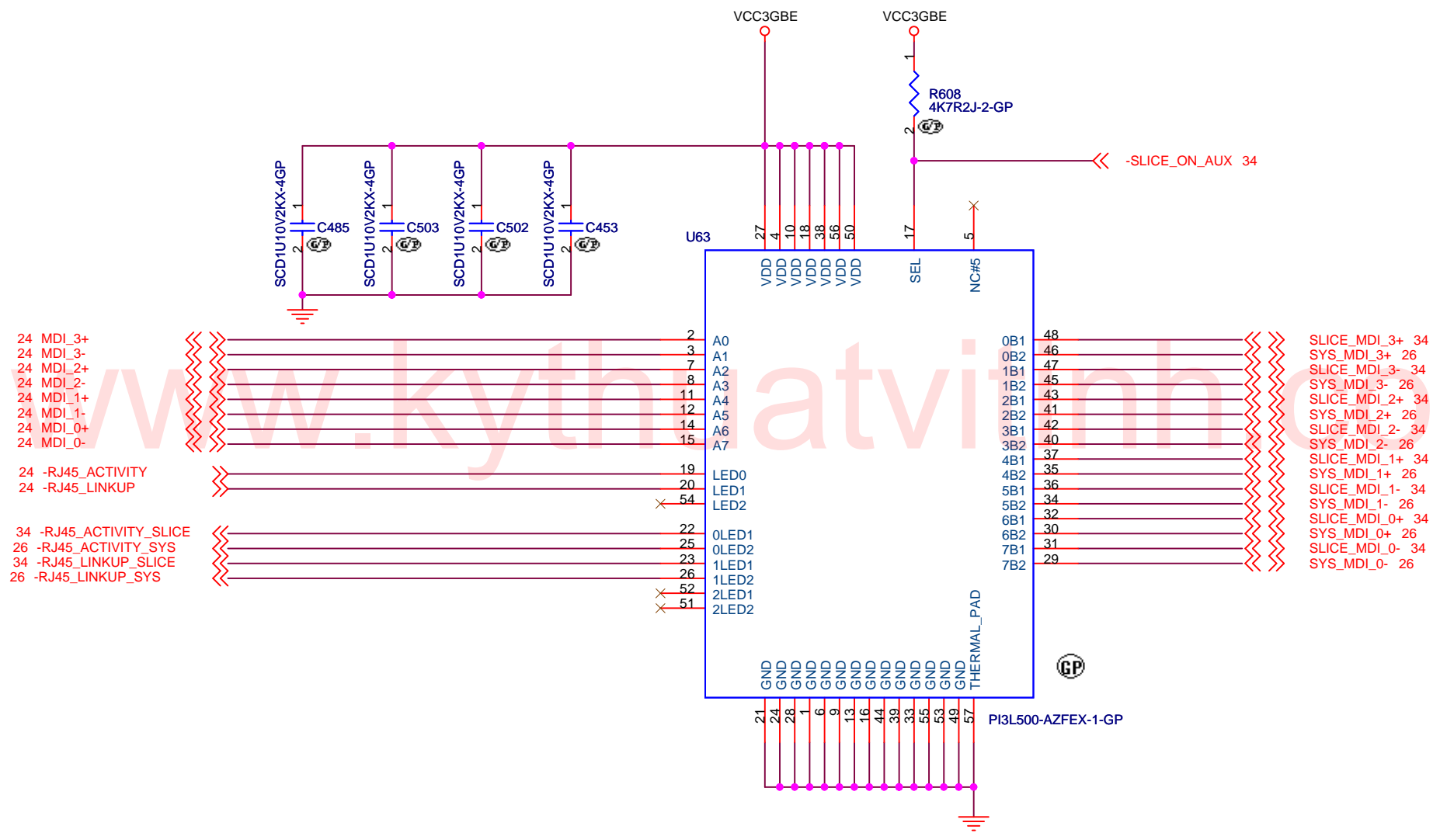
BOM

**緯創資通** **Wistron Corporation**  
 21F, 88, Sec.1, Hsin Tai Wu Rd., Hsichih, Taipei Hsien 221, Taiwan, R.O.C.

Title: **GBE BOAZMAN**

Size: A3	Document Number: <b>Mocha-1</b>	Rev: -1
Date: Thursday, May 08, 2008	Sheet: 24	of 62



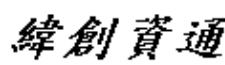


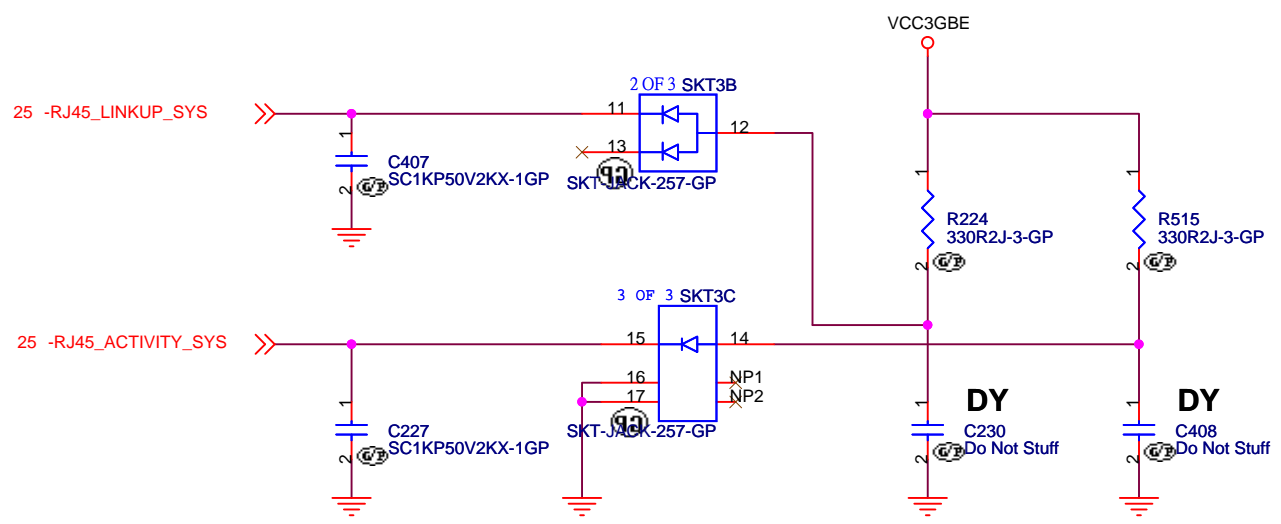
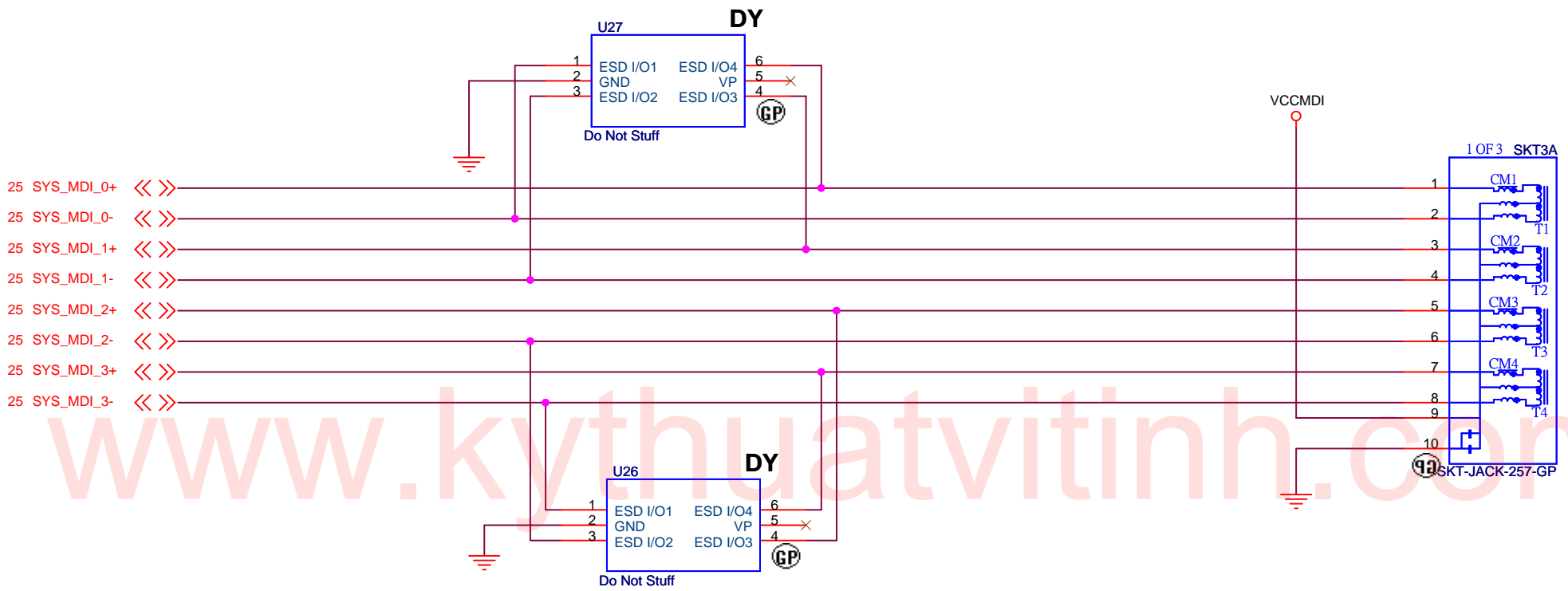
24 MDI\_3+  
 24 MDI\_3-  
 24 MDI\_2+  
 24 MDI\_2-  
 24 MDI\_1+  
 24 MDI\_1-  
 24 MDI\_0+  
 24 MDI\_0-  
 24 -RJ45\_ACTIVITY  
 24 -RJ45\_LINKUP  
 34 -RJ45\_ACTIVITY\_SLICE  
 26 -RJ45\_ACTIVITY\_SYS  
 34 -RJ45\_LINKUP\_SLICE  
 26 -RJ45\_LINKUP\_SYS

SLICE\_MDI\_3+ 34  
 SYS\_MDI\_3+ 26  
 SLICE\_MDI\_3- 34  
 SYS\_MDI\_3- 26  
 SLICE\_MDI\_2+ 34  
 SYS\_MDI\_2+ 26  
 SLICE\_MDI\_2- 34  
 SYS\_MDI\_2- 26  
 SLICE\_MDI\_1+ 34  
 SYS\_MDI\_1+ 26  
 SLICE\_MDI\_1- 34  
 SYS\_MDI\_1- 26  
 SLICE\_MDI\_0+ 34  
 SYS\_MDI\_0+ 26  
 SLICE\_MDI\_0- 34  
 SYS\_MDI\_0- 26


		Vendor P/N	Wistron P/N
1st	Pericom	PI3L500AZFEX	41R0539AA
2nd	TI	TS3L500AERHUR	41R0539BA
3rd	MAXIM	MAX4927ETN+	74.04927.073

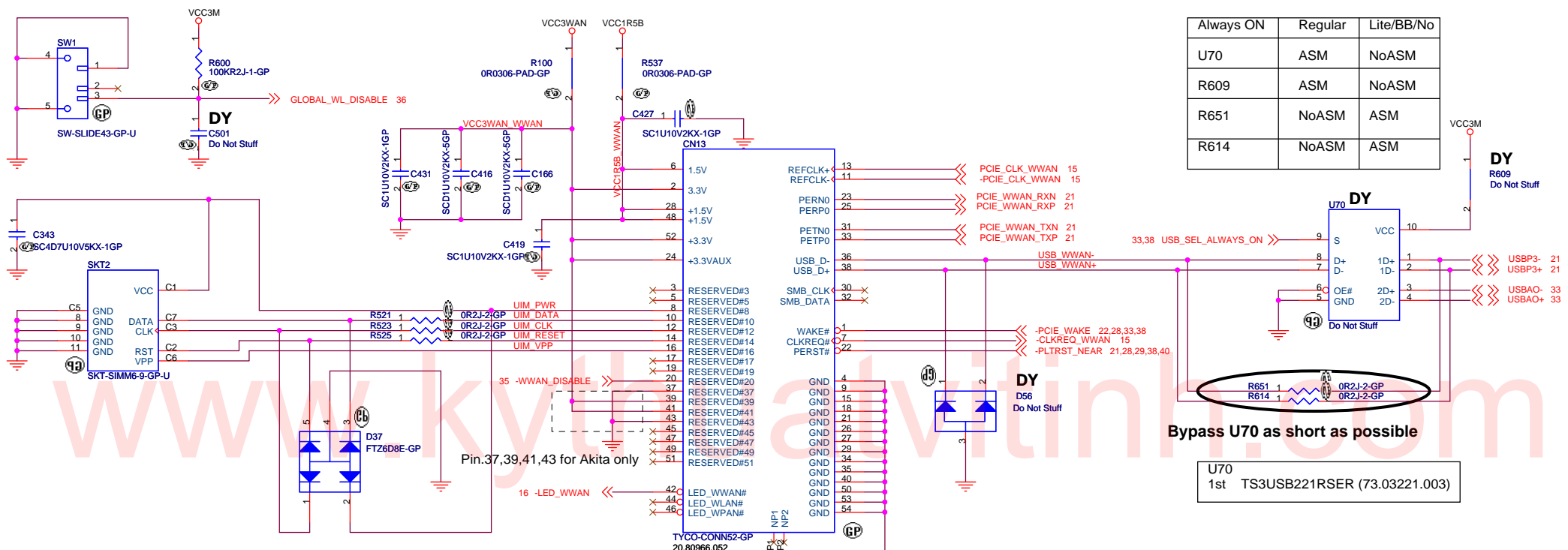
BOM

 <b>Wistron Corporation</b> 21F, 88, Sec.1, Hsin Tai Wu Rd., Hsichih, Taipei Hsien 221, Taiwan, R.O.C.		
<b>GBE LAN SW</b>		
Size A4	Document Number <b>Mocha-1</b>	Rev <b>-1</b>
Date: Thursday, May 08, 2008		Sheet 25 of 62

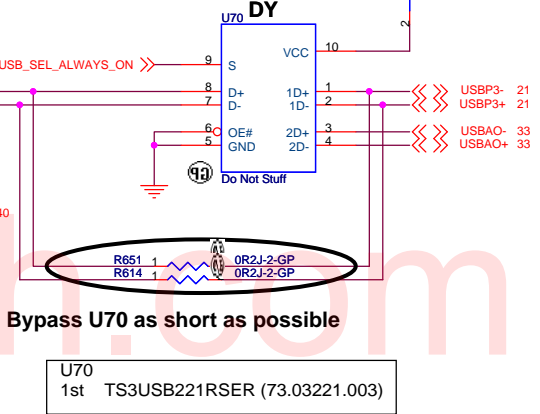


BOM

 <b>Wistron Corporation</b> 21F, 88, Sec.1, Hsin Tai Wu Rd., Hsichih, Taipei Hsien 221, Taiwan, R.O.C.		
Title		
<b>RJ45 CONN</b>		
Size A4	Document Number <b>Mocha-1</b>	Rev <b>-1</b>
Date: Thursday, May 08, 2008	Sheet 26 of	62



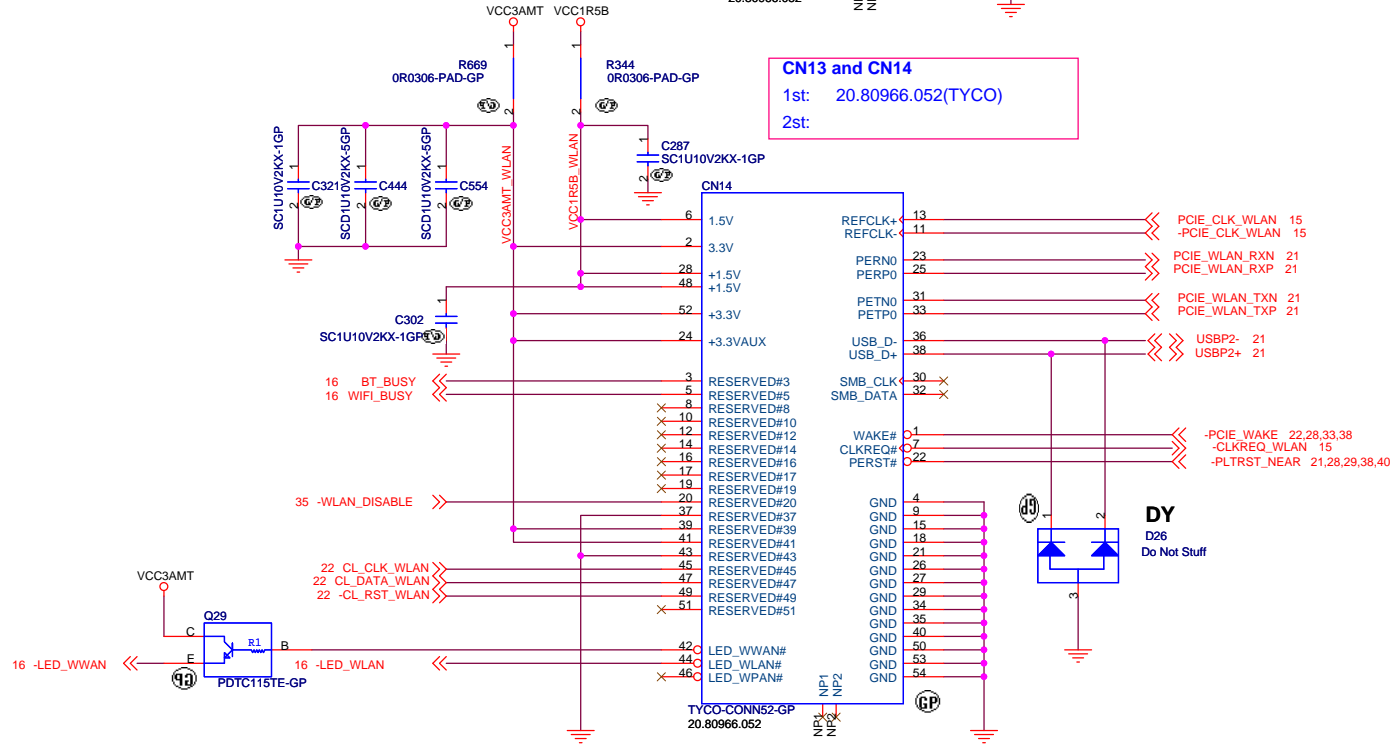
	Always ON	Regular	Lite/BB/No
U70	ASM	ASM	NoASM
R609	ASM	ASM	NoASM
R651	NoASM	ASM	ASM
R614	NoASM	ASM	ASM



Bypass U70 as short as possible

U70  
1st TS3USB221RSER (73.03221.003)

CN13 and CN14  
1st: 20.80966.052(TYCO)  
2st:



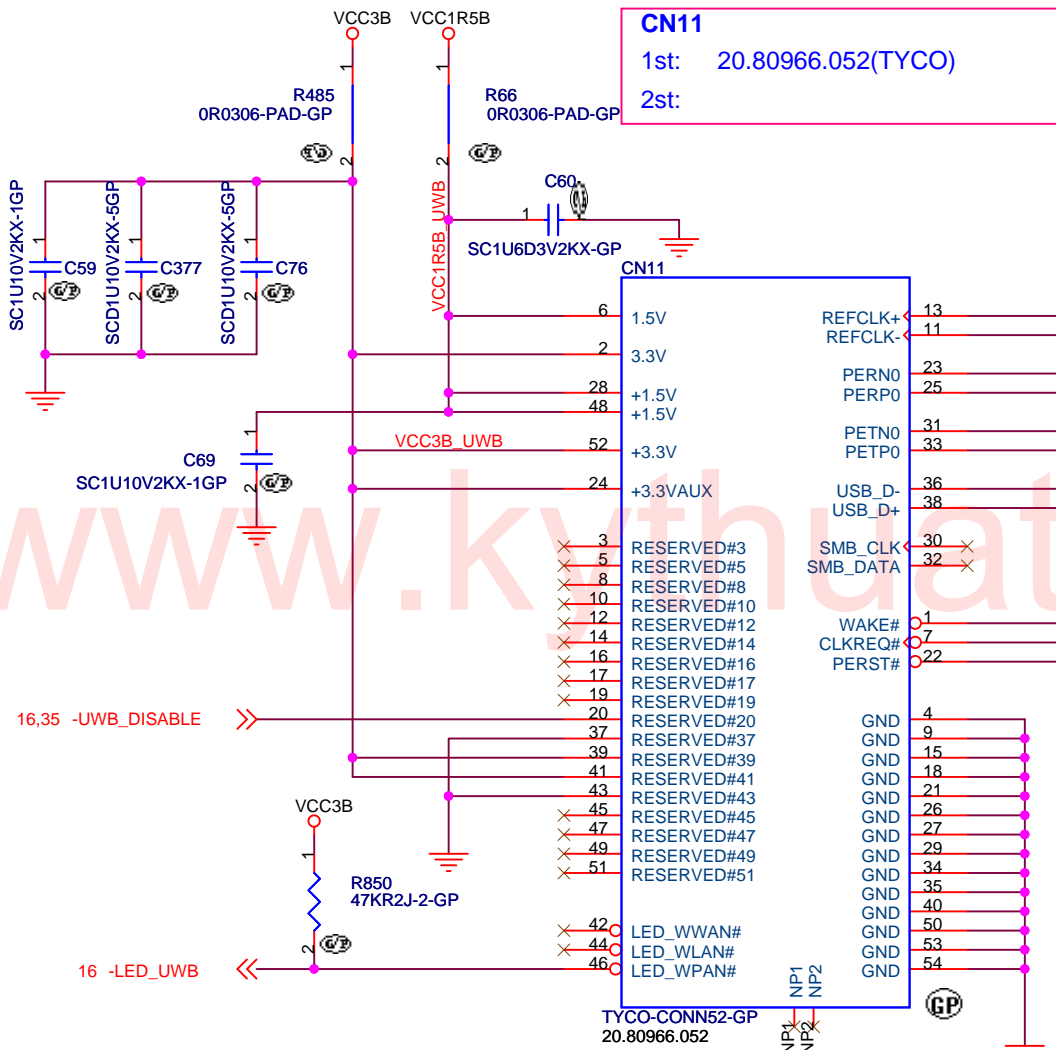
WWAN CONTROL TABLE

PAGE	LOCATION	YES	NO
27	CN13 SKT2 D37 C343 R521 R523 C431 C416 C166 C427 R100 R537	ASM	NON_ASM
58	Q10 R61 D10 R67 C80	ASM	NON_ASM
60	H12 H13	ASM	NON_ASM

BOM

**緯創資通 Wistron Corporation**  
21F, 88, Sec.1, Hsin Tai Wu Rd., Hsichih, Taipei Hsien 221, Taiwan, R.O.C.

File: **MINI CARD SLOT**  
Size: A3 Document Number: **Mocha-1** Rev: -1  
Date: Thursday, May 08, 2008 Sheet: 27 of 62



**CN11**  
 1st: 20.80966.052(TYCO)  
 2st:

- PCIE\_CLK\_UWB 15
- PCIE\_CLK\_UWB 15
- PCIE\_UWB\_RXN 21
- PCIE\_UWB\_RXP 21
- PCIE\_UWB\_TXN 21
- PCIE\_UWB\_TXP 21
- USBP4- 21
- USBP4+ 21
- PCIE\_WAKE 22,27,33,38
- CLKREQ\_UWB 15
- PLTRST\_NEAR 21,27,29,38,40

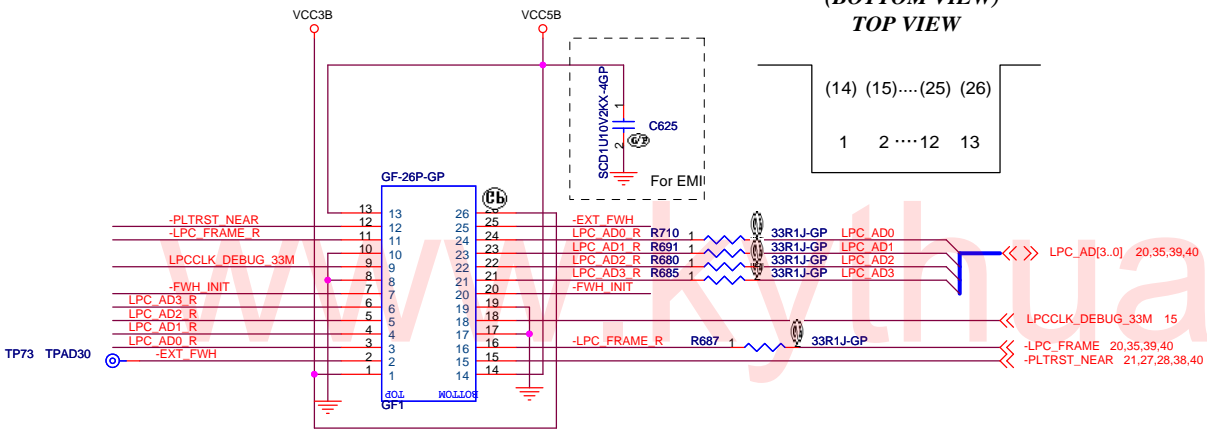
**DY**  
 D9  
 Do Not Stuff

BOM

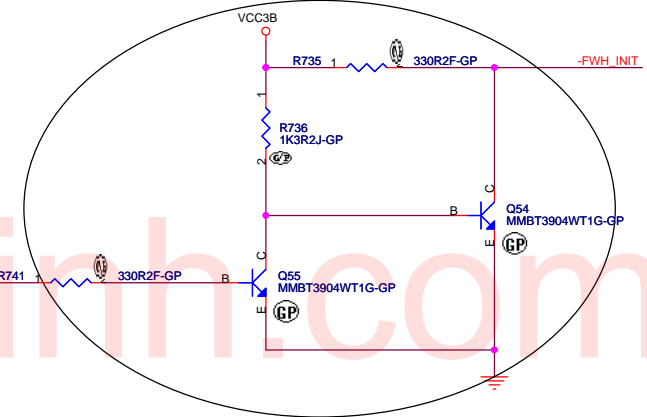
 <b>Wistron Corporation</b> 21F, 88, Sec.1, Hsin Tai Wu Rd., Hsichih, Taipei Hsien 221, Taiwan, R.O.C.	
<b>MINI CARD SLOT 2</b>	
Title MINI CARD SLOT 2	Document Number <b>Mocha-1</b>
Size A4	Rev -1
Date Thursday, May 08, 2008	Sheet 28 of 62

# Golden Finger for Debug Board

(BOTTOM VIEW)  
TOP VIEW

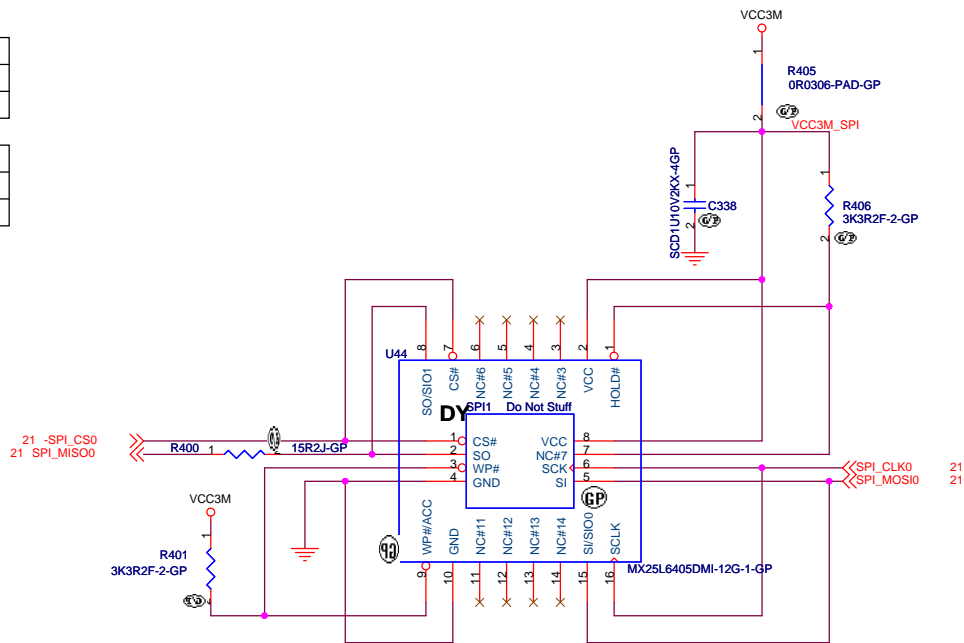


Check need to ALL NoASM the same KS-3



32Mbit SPI FLASH :		
ATMEL	AT26DF321-SU	72.26321.A01
MXIC	MX25L3205DM2I-12G	72.25325.A01

64Mbit SPI FLASH :		
MXIC	MX25L6405DMI-12G	41R0820AA
Winbond	W25X64VSFIG	41R0820BA

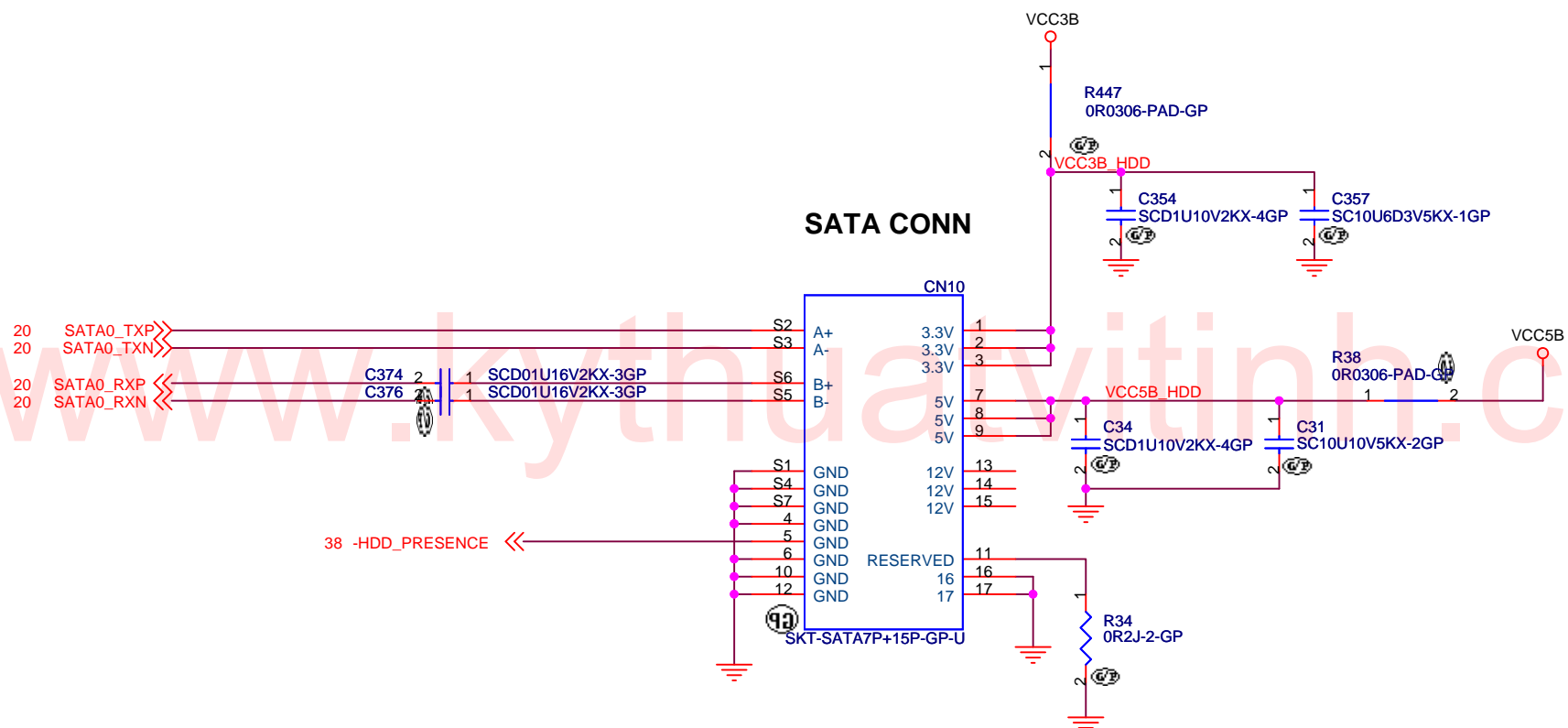


SO8 and SO16 are both supported!

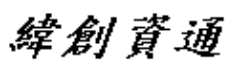
BOM

**緯創資通 Wistron Corporation**  
21F, 88, Sec.1, Hsin Tai Wu Rd., Hsichih,  
Taipei Hsien 221, Taiwan, R.O.C.

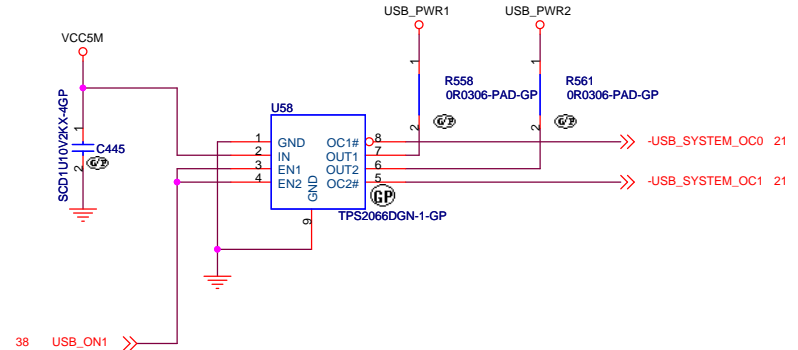
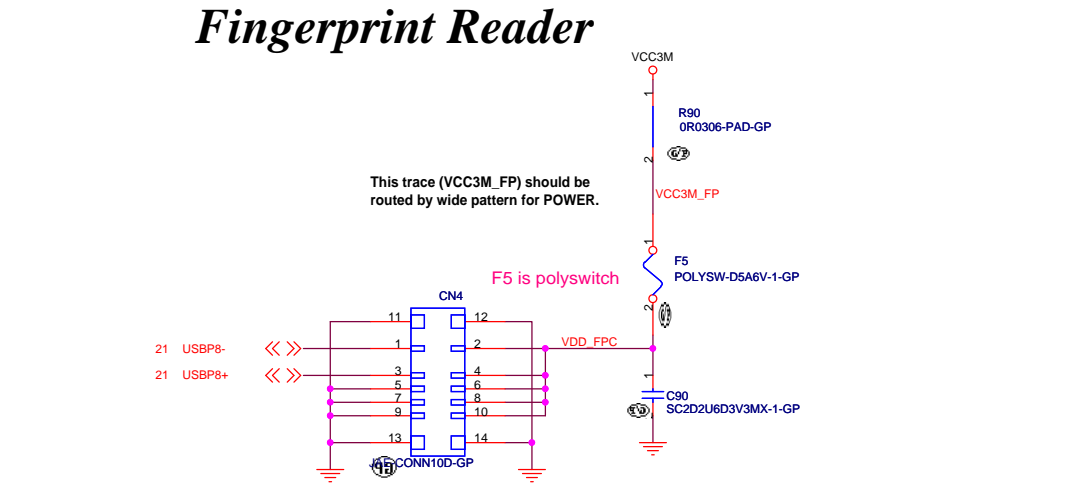
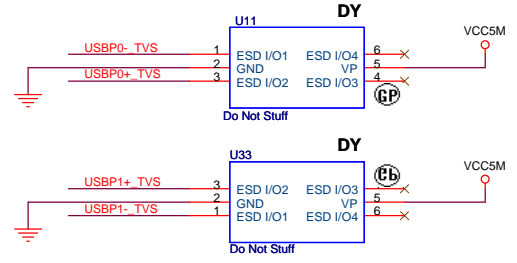
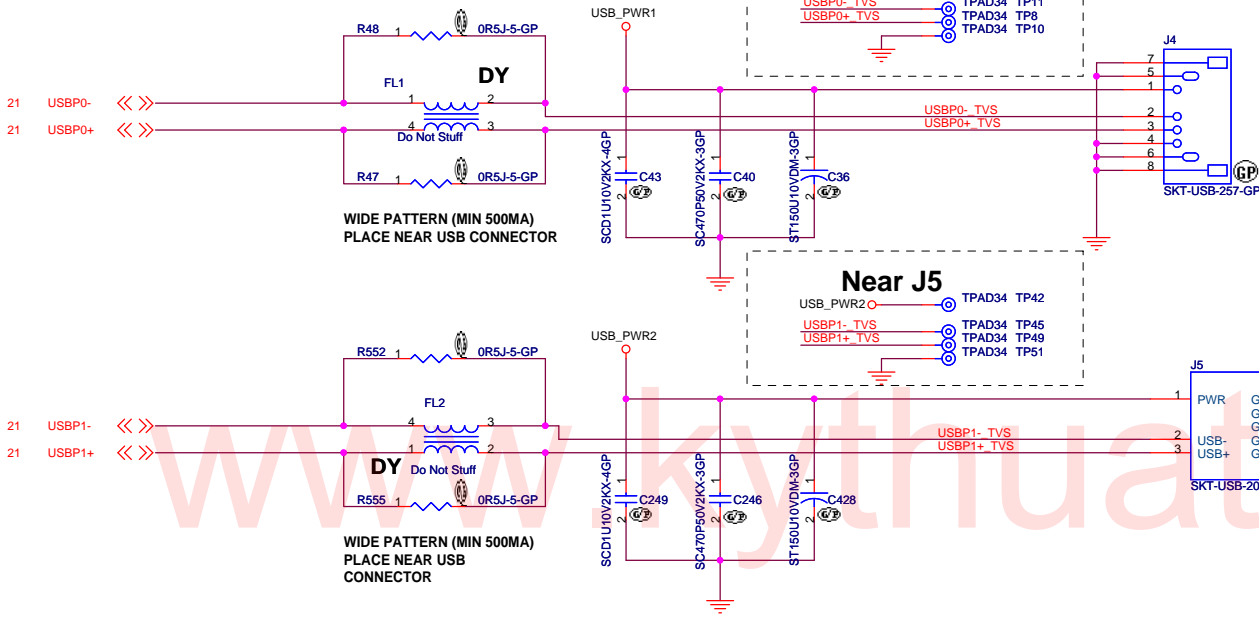
Title <b>SPI</b>		
Size A3	Document Number <b>MoCha-1</b>	Rev <b>-1</b>
Date Thursday, May 08, 2008	Sheet 29	of 62



BOM

 <b>Wistron Corporation</b> 21F, 88, Sec.1, Hsin Tai Wu Rd., Hsichih, Taipei Hsien 221, Taiwan, R.O.C.	
<b>Title</b> <b>2.5 inch SATA Connector</b>	
<b>Size</b> A4	<b>Document Number</b> <b>Mocha-1</b>
<b>Date</b> Thursday, May 08, 2008	<b>Rev</b> -1
<b>Date</b> Thursday, May 08, 2008 <b>Sheet</b> 30 <b>of</b> 62	

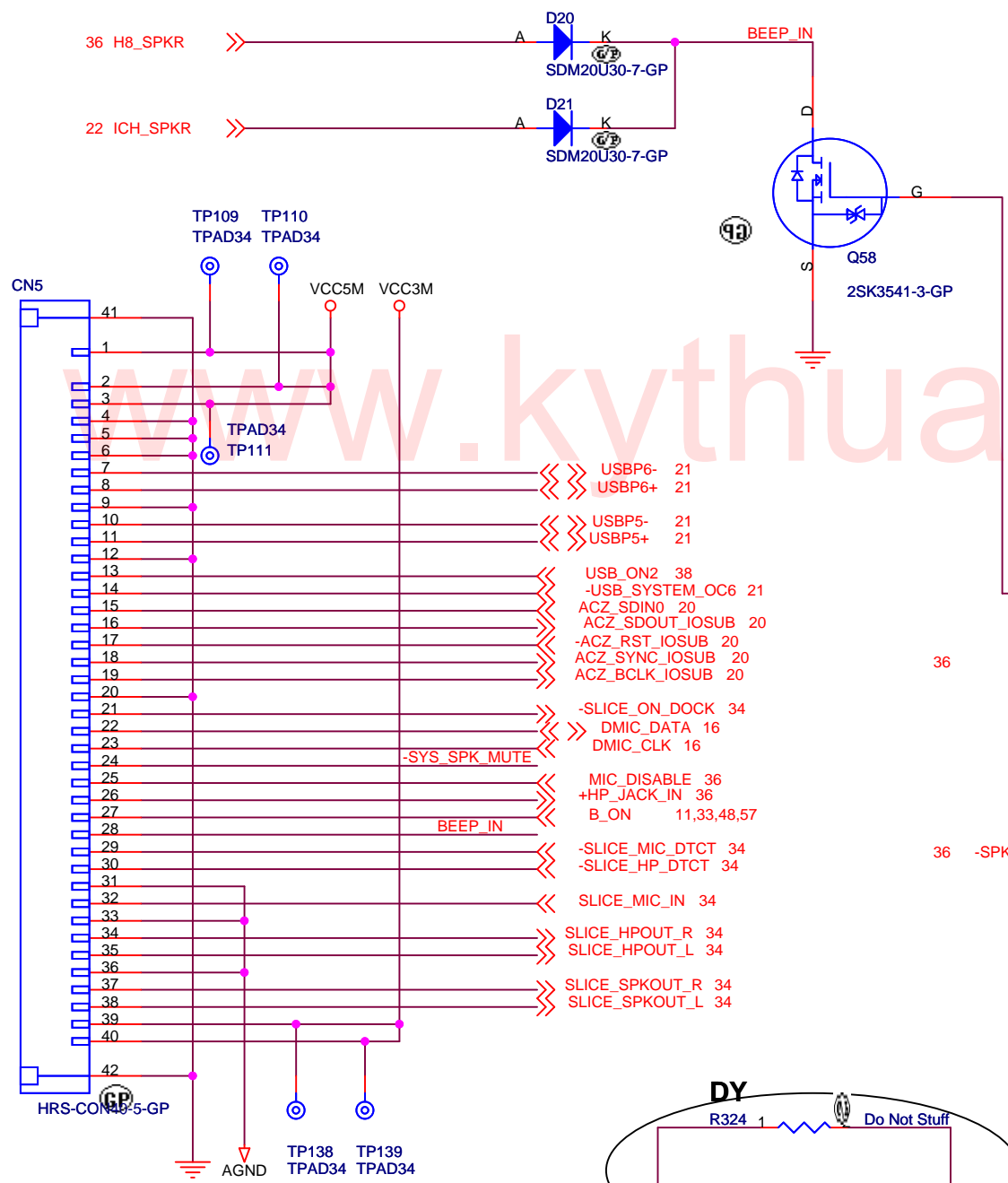
COMMON MODE CHOKE COIL: TDK ACM2520U  
 PLACE THESE RESISTORS AS THE CHOKE COIL ARE ALSO  
 PLACED ON THE SMA PADS OF THESE TWO 0-OHM  
 RESISTORS



		U58	
1st	TI	TPS2066DGN-1	74.02066.B71
2nd	TI	TPS2066DGN	74.02066.A71

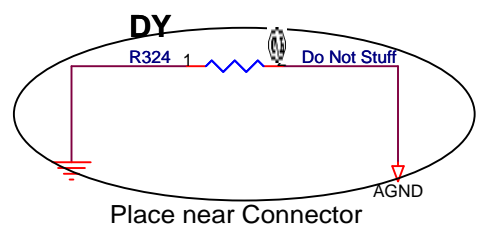
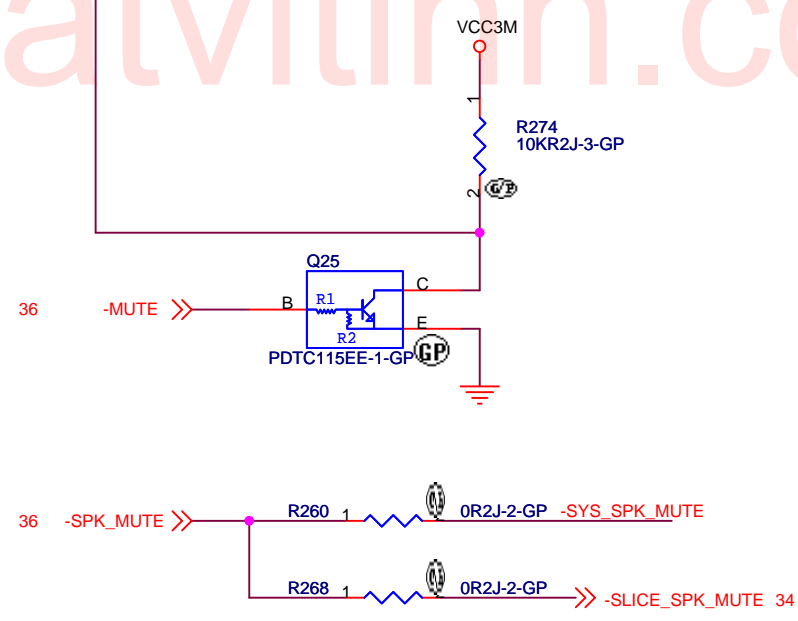
BOM

<b>緯創資通</b>		<b>Wistron Corporation</b>	
		21F, 88, Sec.1, Hsin Tai Wu Rd., Hsichih, Taipei Hsien 221, Taiwan, R.O.C.	
<b>USB POWER / CONNECTOR</b>			
Size A3	Document Number	<b>Mocha-1</b>	Rev -1
Date: Thursday, May 08, 2008		Sheet 31	of 62



**Near CN5**

USBP6-	TP112 TPAD34	DMIC_CLK	TP125 TPAD34
USBP6+	TP113 TPAD34	-SYS_SPK MUTE	TP126 TPAD34
USBP5-	TP114 TPAD34	MIC_DISABLE	TP127 TPAD34
USBP5+	TP115 TPAD34	+HP_JACK_IN	TP128 TPAD34
USB_ON2	TP116 TPAD34	B_ON	TP129 TPAD34
-USB_SYSTEM_OC6	TP117 TPAD34	BEEP_IN	TP130 TPAD34
ACZ_SDINO	TP118 TPAD34	-SLICE_MIC_DTCT	TP131 TPAD34
ACZ_SDOUT_IOSUB	TP119 TPAD34	-SLICE_HP_DTCT	TP132 TPAD34
-ACZ_RST_IOSUB	TP120 TPAD34	SLICE_MIC_IN	TP133 TPAD34
ACZ_SYNC_IOSUB	TP121 TPAD34	SLICE_HPOUT_R	TP134 TPAD34
ACZ_BCLK_IOSUB	TP122 TPAD34	SLICE_HPOUT_L	TP135 TPAD34
-SLICE_ON_DOCK	TP123 TPAD34	SLICE_SPKOUT_R	TP136 TPAD34
DMIC_DATA	TP124 TPAD34	SLICE_SPKOUT_L	TP137 TPAD34



BOM

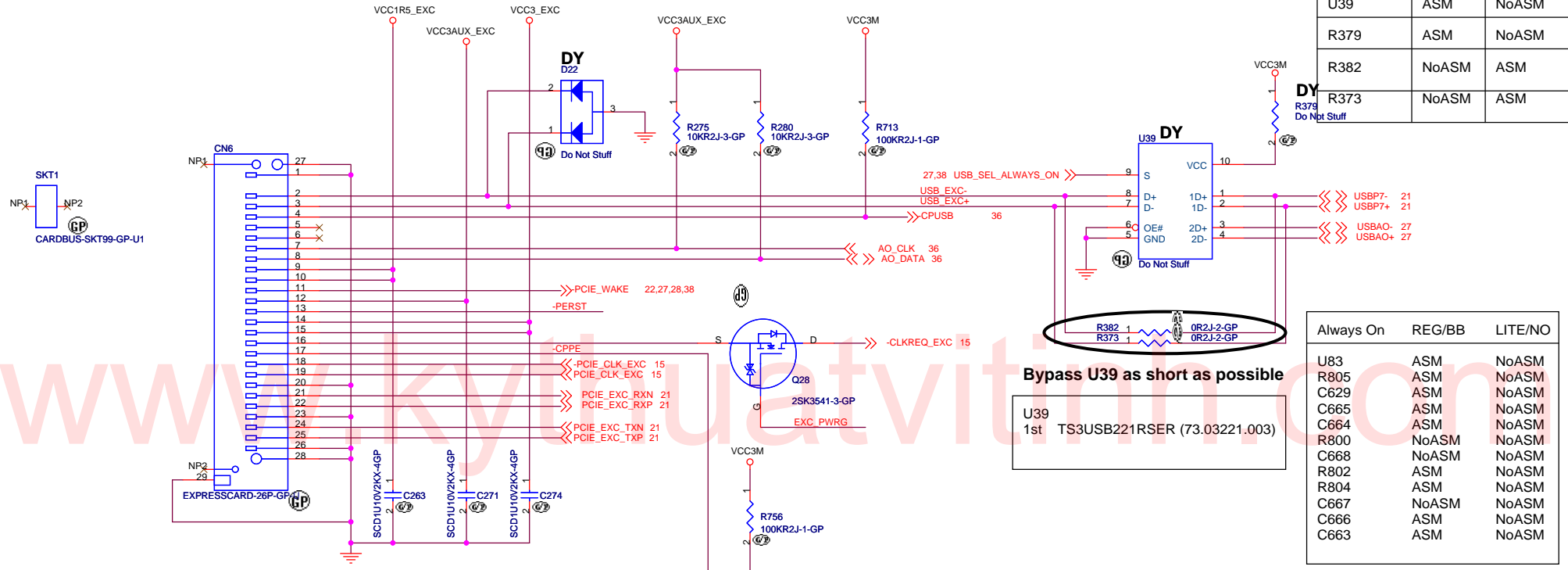
**緯創資通 Wistron Corporation**  
21F, 88, Sec.1, Hsin Tai Wu Rd., Hsichih, Taipei Hsien 221, Taiwan, R.O.C.

Title: **SUB-CARD CONNECTOR**

Size A4 Document Number **Mocha-1** Rev -1

Date: Thursday, May 08, 2008 Sheet 32 of 62



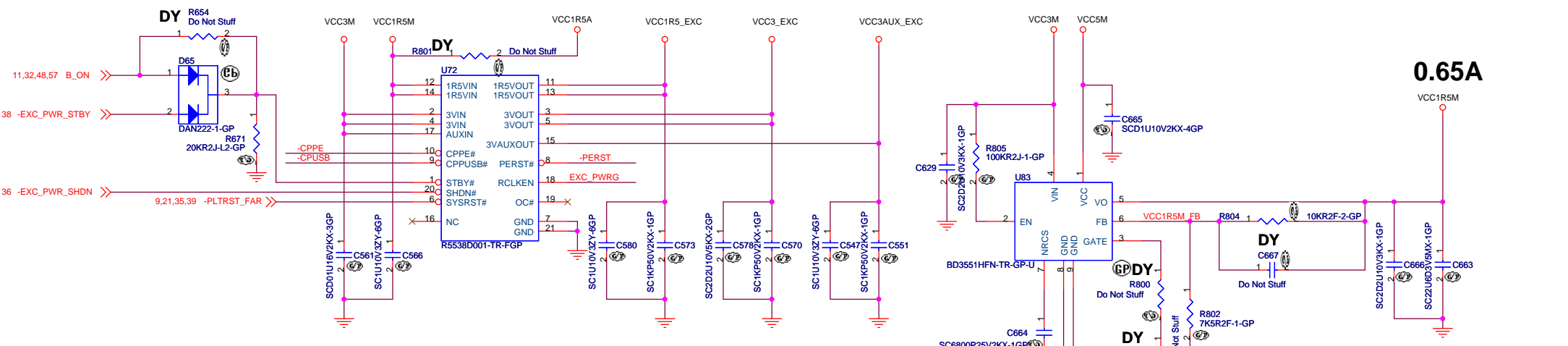


Always ON	REG	LITE/BB/NO
U39	ASM	NoASM
R379	ASM	NoASM
R382	NoASM	ASM
R373	NoASM	ASM

Always On	REG/BB	LITE/NO
U83	ASM	NoASM
R805	ASM	NoASM
C629	ASM	NoASM
C665	ASM	NoASM
C664	ASM	NoASM
R800	NoASM	NoASM
C668	NoASM	NoASM
R802	ASM	NoASM
R804	ASM	NoASM
C667	NoASM	NoASM
C666	ASM	NoASM
C663	ASM	NoASM

**Bypass U39 as short as possible**

U39  
1st TSUSB221R SER (73.03221.003)



Always ON	REG/BB	LITE/NO
D65	ASM	NoASM
R671	ASM	NoASM
R654	NoASM	ASM
R801	NoASM	ASM

	U72	Wistron P/N
1st	RICOH R5538D001-TR	74.05538.073
2nd	Winbond W83L351YG	74.83351.073
3rd	TI TPS2231RGPR	74.02231.073

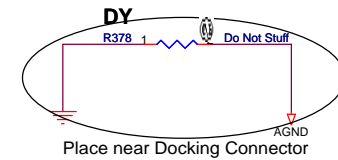
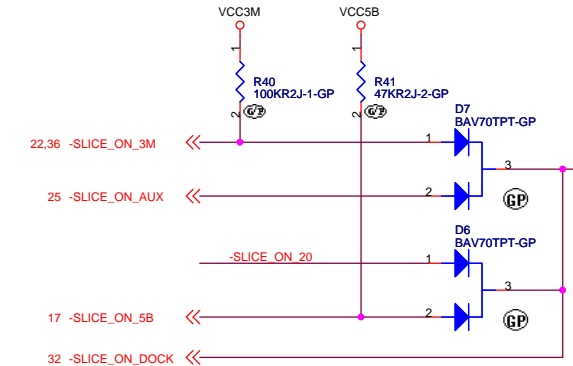
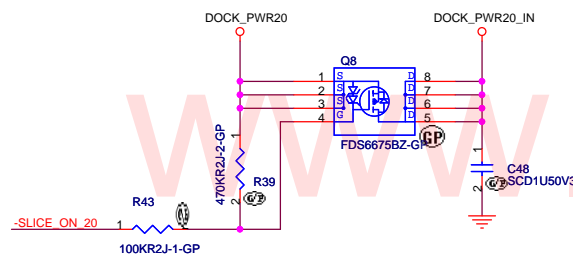
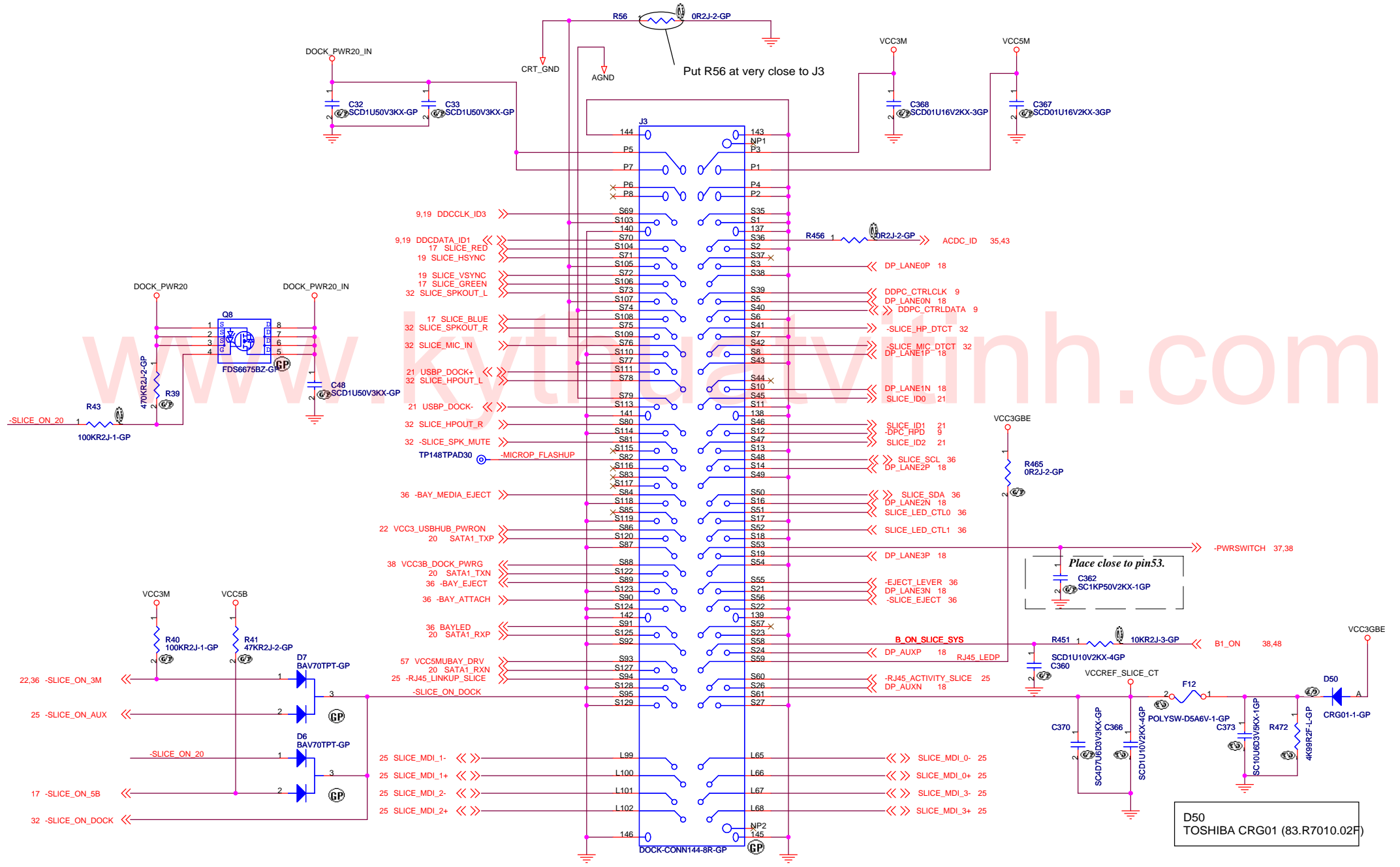
**BOM**

**緯創資通 Wistron Corporation**  
21F, 88, Sec.1, Hsin Tai Wu Rd., Hsichih, Taipei Hsien 221, Taiwan, R.O.C.

Title: **Express Card Slot/PWR**

Size A3 Document Number **Mocha-1** Rev **-1**

Date: Thursday, May 08, 2008 Sheet 33 of 62



Put R56 at very close to J3

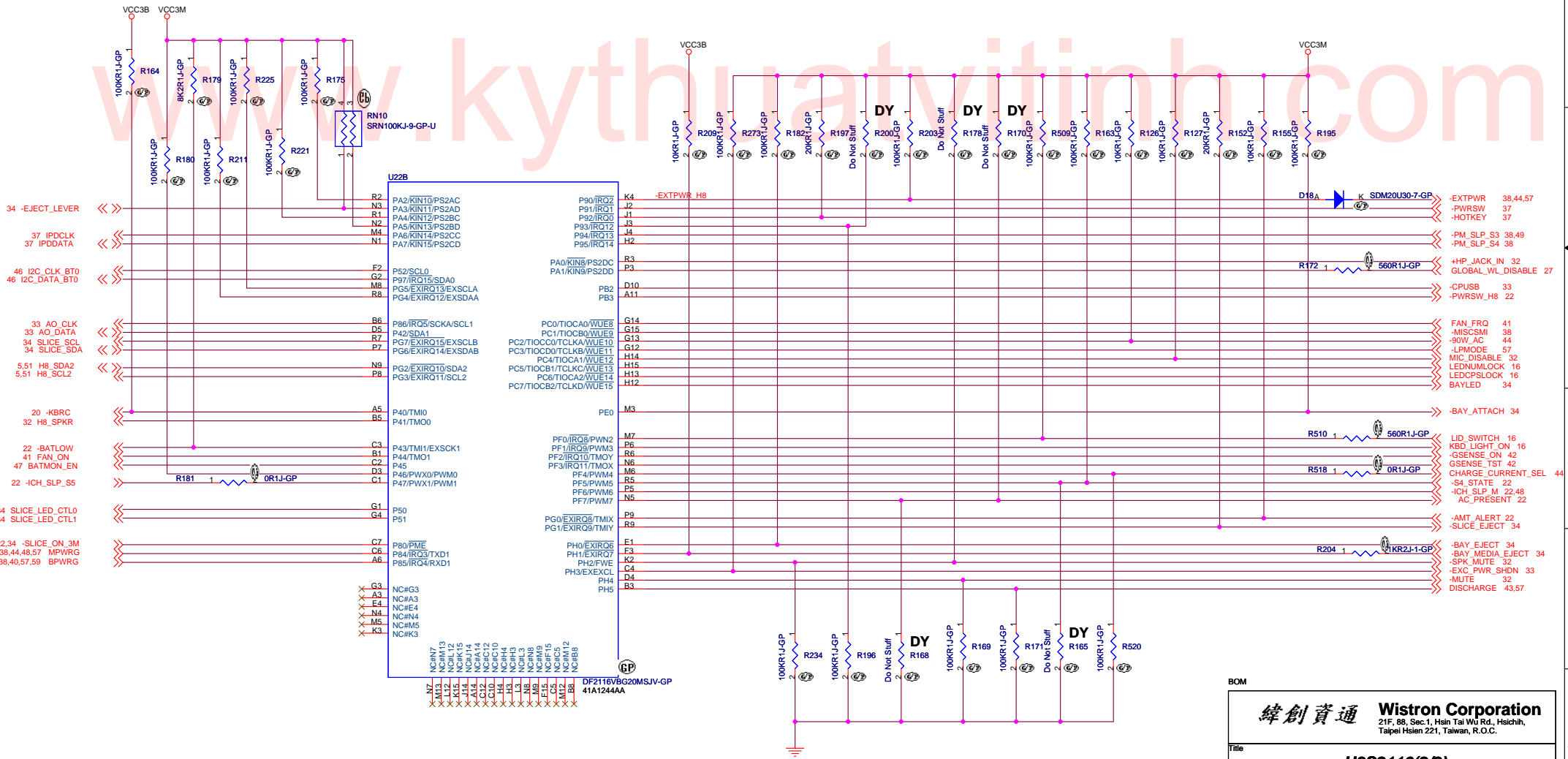
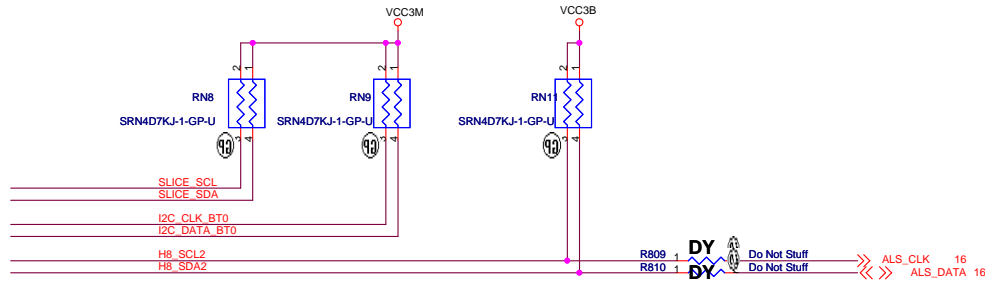
Place close to pin53.

D50 TOSHIBA CRG01 (83.R7010.02F)

BOM

		<b>Wistron Corporation</b> 21F, 88, Sec.1, Hsin Tai Wu Rd., Hsichih, Taipei Hsien 221, Taiwan, R.O.C.	
<b>SLICE CONNECTOR</b>			
Title	Document Number		Rev
Size	Mocha-1		-1
Date:	Thursday, May 08, 2008	Sheet	34 of 62





**BOM**

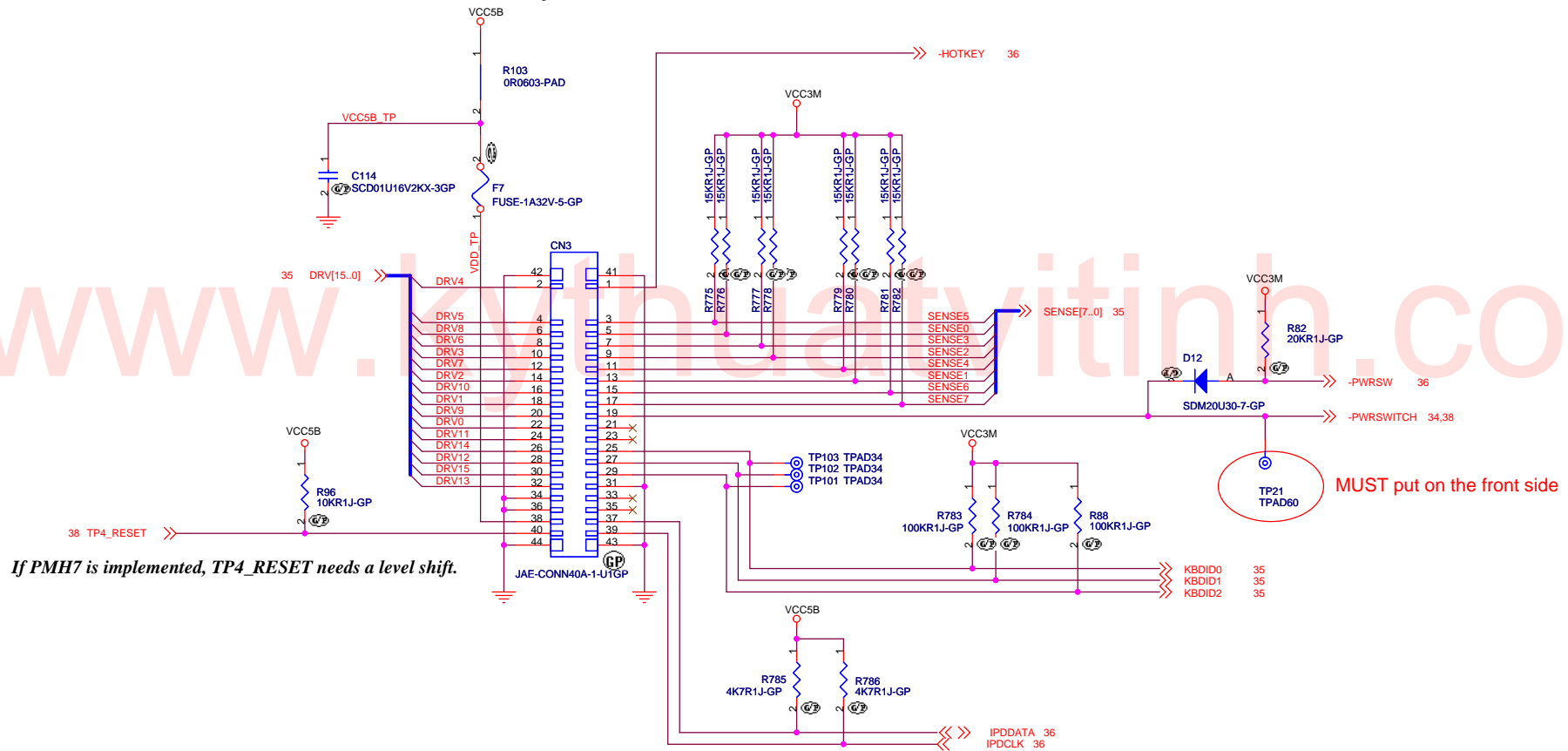
**緯創資通 Wistron Corporation**  
21F, 88, Sec.1, Hsin Tai Wu Rd., Hsichih, Taipei Hsien 221, Taiwan, R.O.C.

Title: **H8S2116(2/2)**

Size: Document Number  
Custom: **Mocha-1** Rev: **-1**

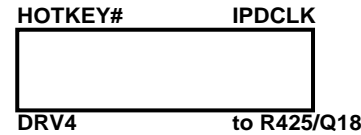
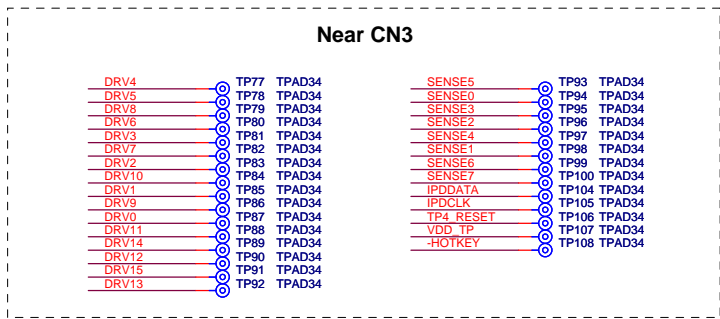
Date: Thursday, May 08, 2008 Sheet: 36 of 82

# Keyboard Connector

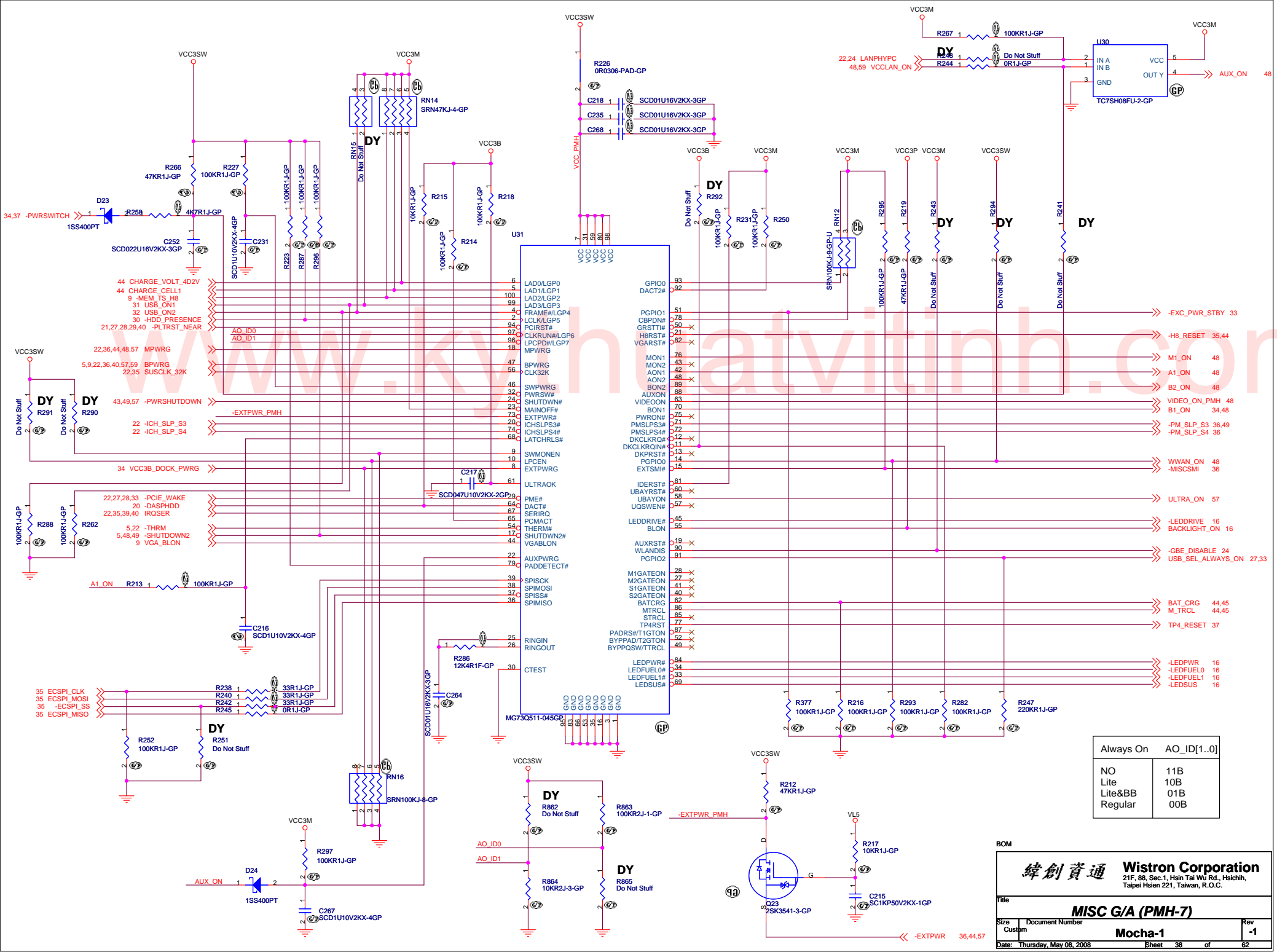


If PMH7 is implemented, TP4\_RESET needs a level shift.

MUST put on the front side



BOM	
 <b>Wistron Corporation</b> 21F, 88, Sec.1, Hsin Tai Wu Rd., Hsichih, Taipei Hsien 221, Taiwan, R.O.C.	
Title	
<b>KEYBOARD CONN</b>	
Size	Document Number
A3	<b>Mocha-1</b>
Date: Thursday, May 08, 2008	Rev -1
Sheet 37	of 62



Always On	AO_ID[1..0]
NO	11B
Lite	10B
Lite&BB	01B
Regular	00B

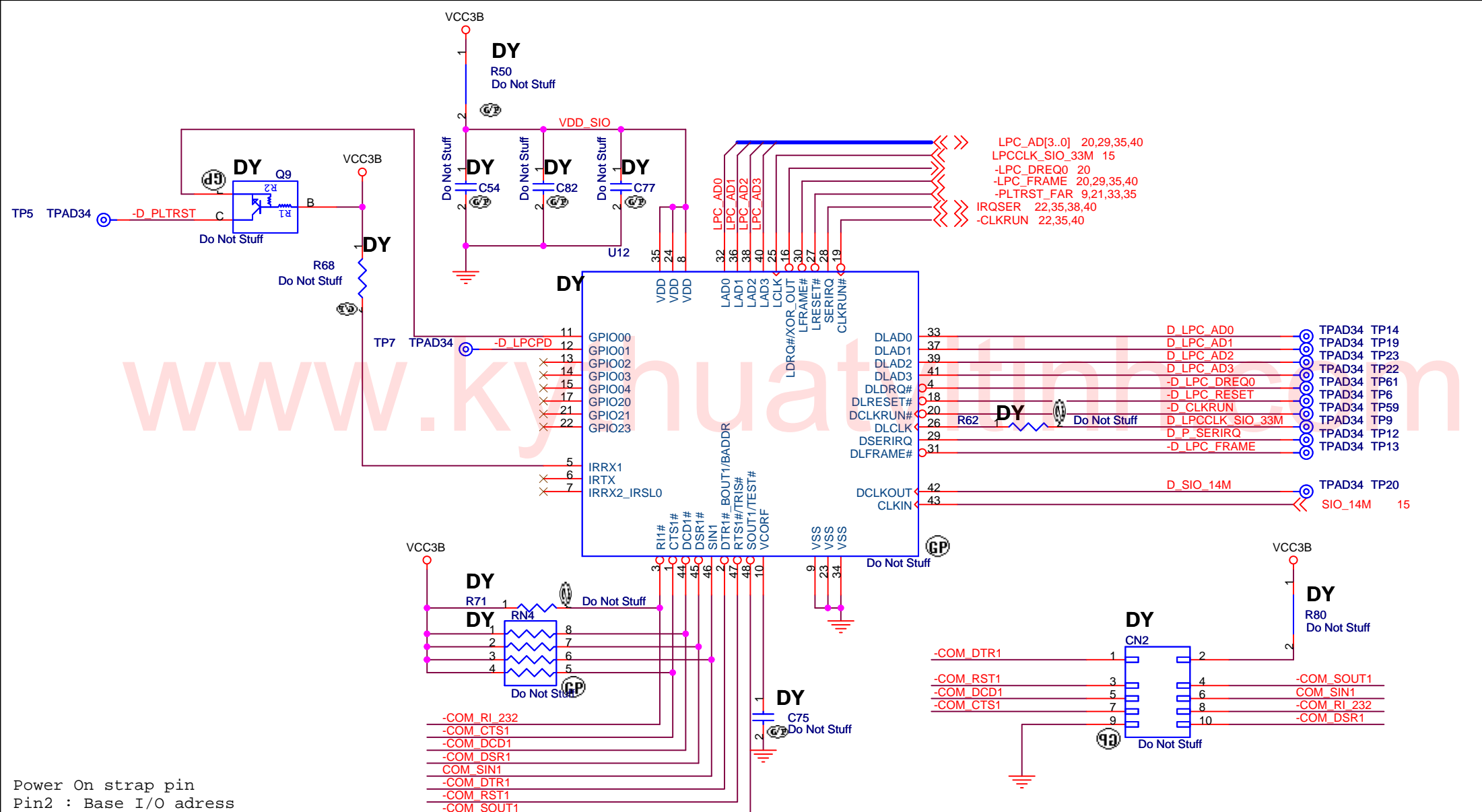
BOM

**緯創資通 Wistron Corporation**  
21F, 88, Sec.1, Hsin Tai Wu Rd., Hsichih, Taipei Hsien 221, Taiwan, R.O.C.

Title: **MISC G/A (PMH-7)**

Size	Document Number	Rev
Custom	<b>Mocha-1</b>	-1

Date: Thursday, May 06, 2008 Sheet 38 of 62



LPC\_AD[3..0] 20,29,35,40  
 LPCCLK\_SIO\_33M 15  
 -LPC\_DREQ0 20  
 -LPC\_FRAME 20,29,35,40  
 -PLTRST\_FAR 9,21,33,35  
 IRQSER 22,35,38,40  
 -CLKRUN 22,35,40

D LPC\_AD0 TPAD34 TP14  
 D LPC\_AD1 TPAD34 TP19  
 D LPC\_AD2 TPAD34 TP23  
 D LPC\_AD3 TPAD34 TP22  
 -D LPC\_DREQ0 TPAD34 TP61  
 -D LPC\_RESET TPAD34 TP6  
 -D CLKRUN TPAD34 TP59  
 D LPCCLK\_SIO\_33M TPAD34 TP9  
 D P\_SERIRQ TPAD34 TP12  
 -D LPC\_FRAME TPAD34 TP13

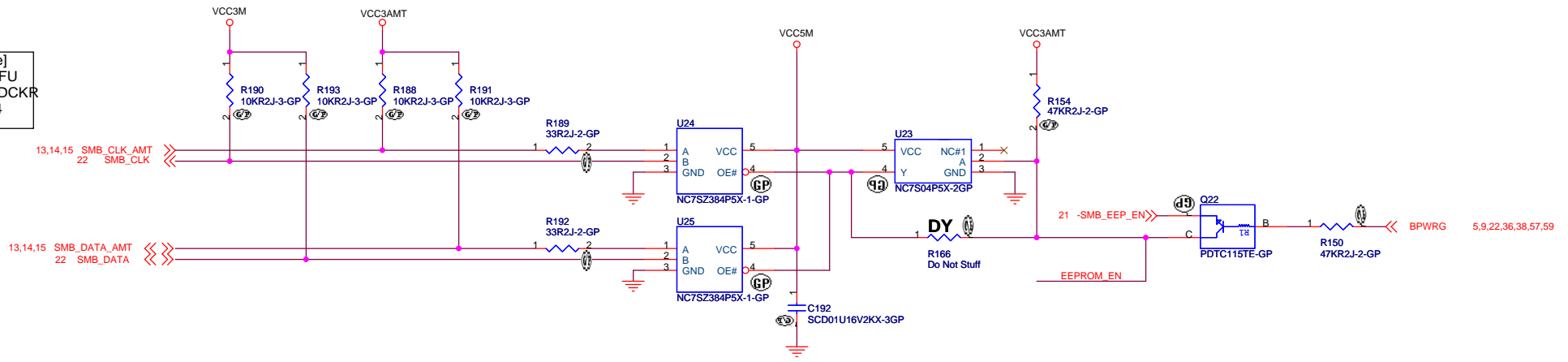
D SIO\_14M TPAD34 TP20  
 SIO\_14M 15

Power On strap pin  
 Pin2 : Base I/O address  
 NC : 164E/164F (Internal PU)  
 PD : 2E/2F  
 Pin31 : LPC Switch function  
 NC : Switch Enable(controlle by DLCON bit)  
 PD : Switch Disable(forced to be Dissconnected)  
 Pin47 : Tristate  
 NC : Normal Operation  
 PD : All pins floting  
 Pin48 : Test  
 NC : Normal Operation  
 PD : Test mode

BOM

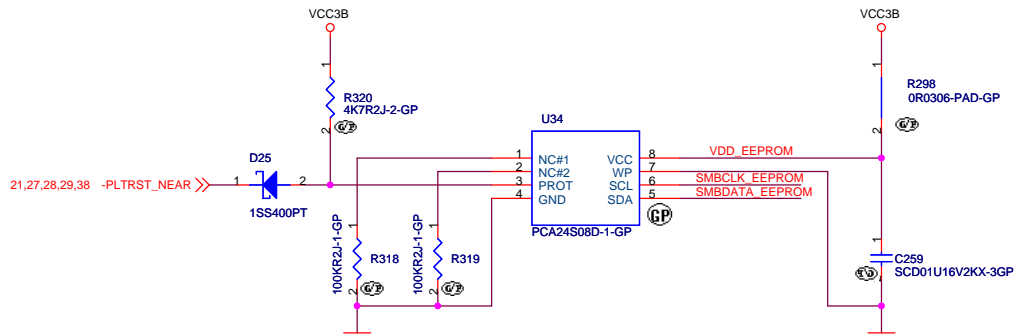
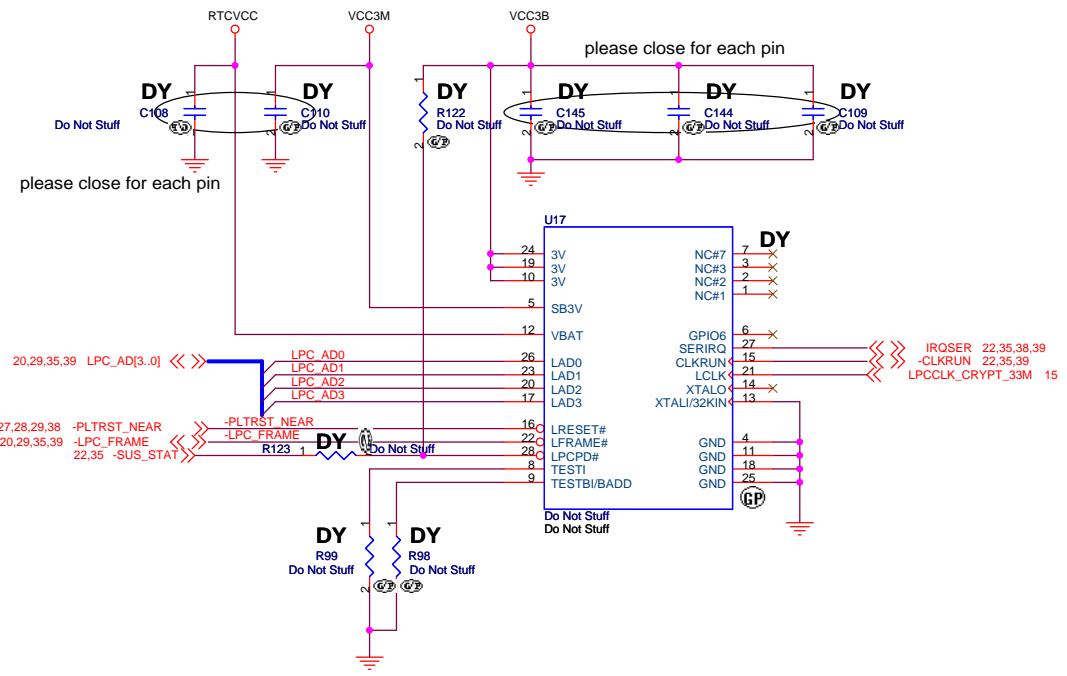
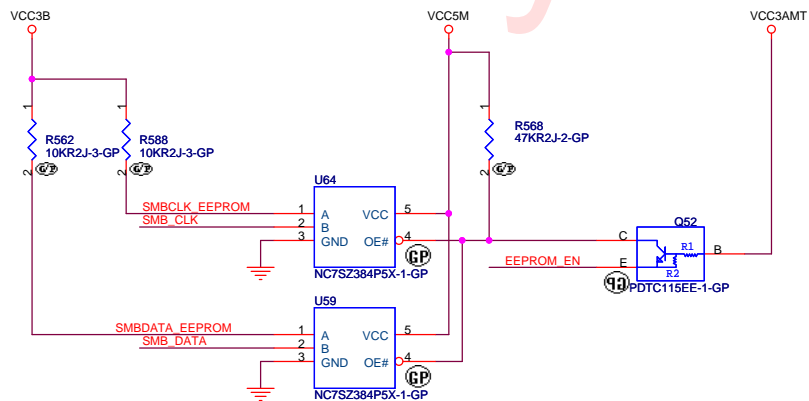
		<b>Wistron Corporation</b> 21F, 88, Sec.1, Hsin Tai Wu Rd., Hsichih, Taipei Hsien 221, Taiwan, R.O.C.	
Title			
<b>WPCN385SDG</b>			
Size A4	Document Number <b>Mocha-1</b>		Rev <b>-1</b>
Date: Thursday, May 08, 2008		Sheet 39 of	62

[Sourcing Candidate]  
 Toshiba TC7SB384FU  
 TI SN74CBT1G384DCKR  
 Fairchild NC7SZ384



# EEPROM

# TCPA



		U34	Wistron P/N
1st	PHILIPS	PCA24S08D	38L5170AA

BOM

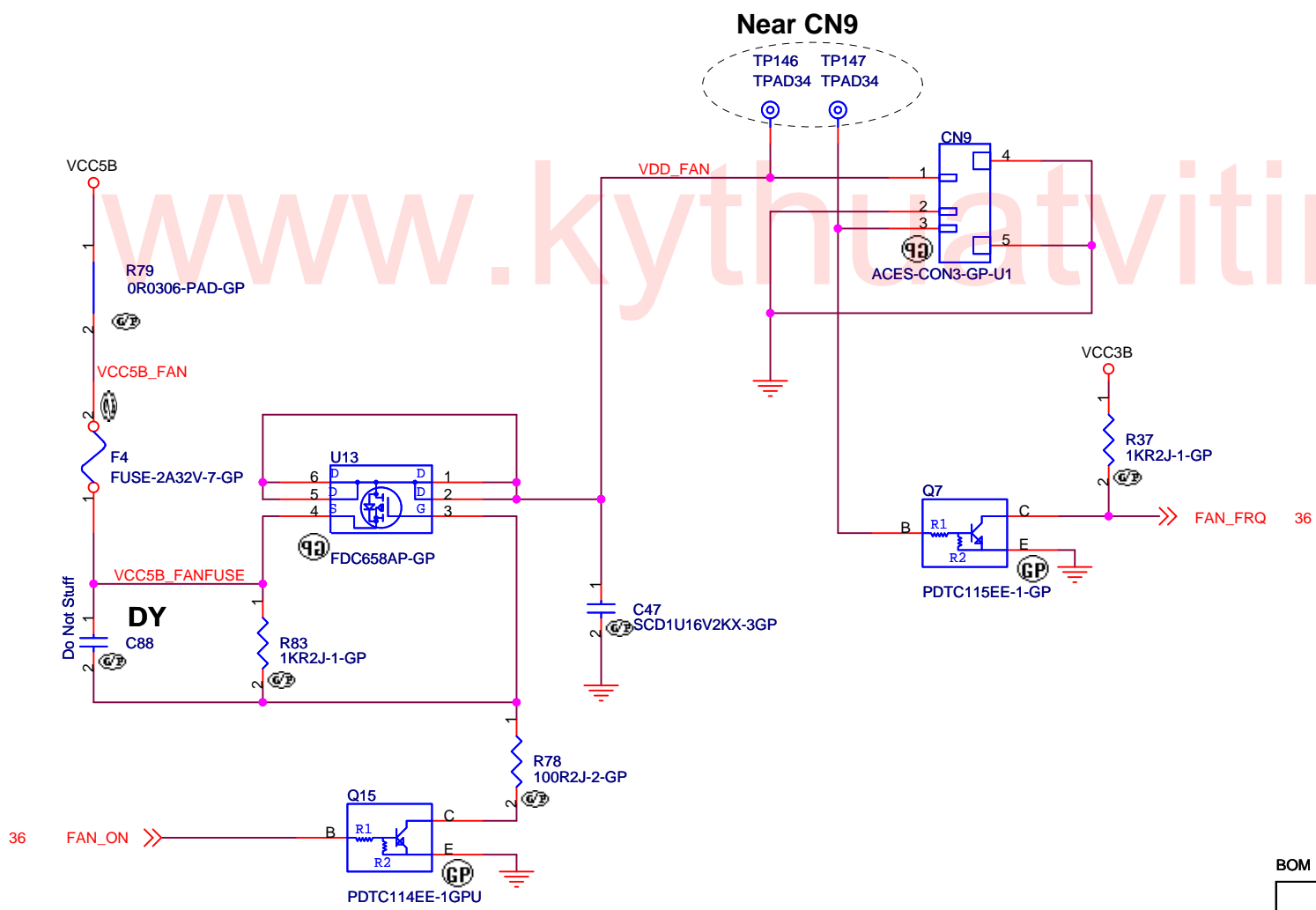
緯創資通 Wistron Corporation  
 21F, 88, Sec.1, Hsin Tai Wu Rd., Hsichih,  
 Taipei Hsien 221, Taiwan, R.O.C.

Title: **EEPROM/TCPA**

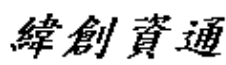
Size A3 Document Number: **Mocha-1** Rev -1

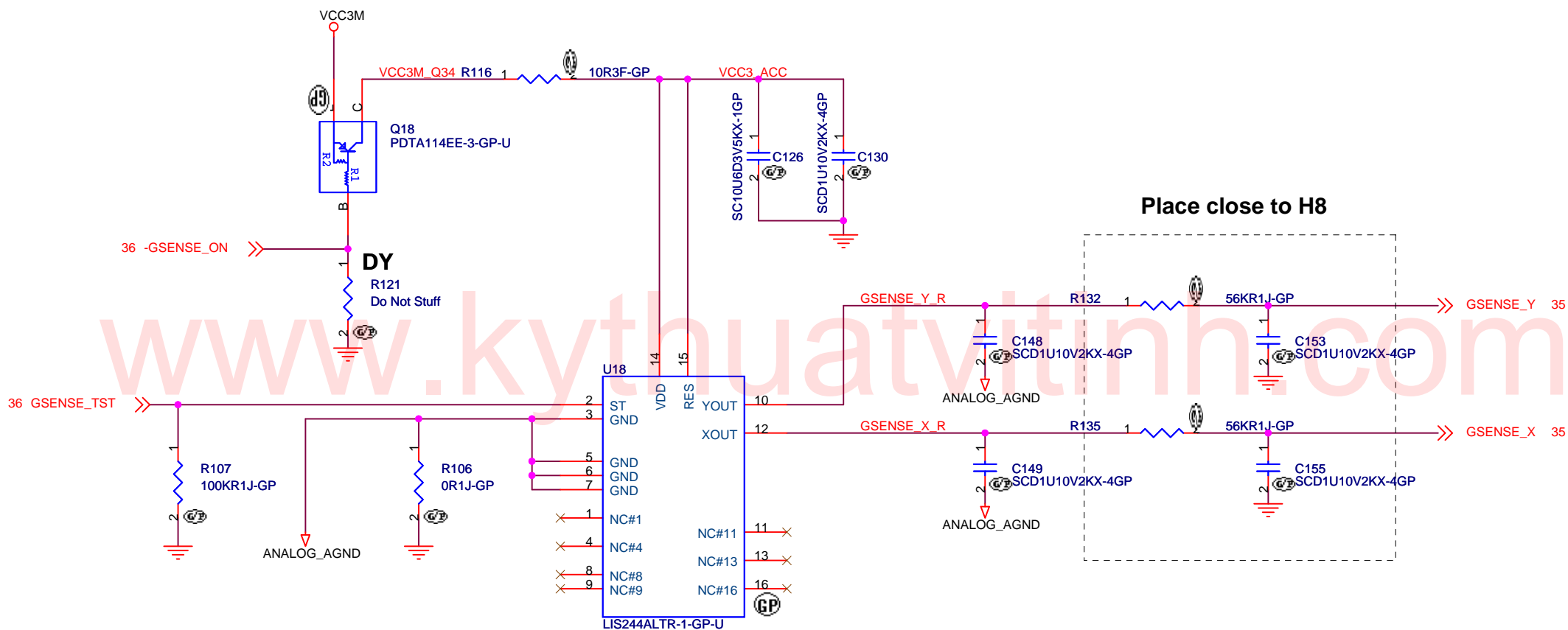
Date: Thursday, May 08, 2008 Sheet 40 of 62





BOM

 <b>Wistron Corporation</b> 21F, 88, Sec.1, Hsin Tai Wu Rd., Hsichih, Taipei Hsien 221, Taiwan, R.O.C.	
<b>Title</b> <b>FAN CONTROL</b>	
Size A4	Document Number <b>Mocha-1</b>
Rev <b>-1</b>	
Date: Thursday, May 08, 2008	
Sheet 41 of 62	



	ADXL322 LIS244AL LIS34AL	No Accel
R121	NO_ASM	ASM
R107	ASM	ASM
All other	ASM	NO_ASM

Primary : ADI ADXL322  
 2nd : STMicro LIS244AL  
 3rd : STMicro LIS34AL

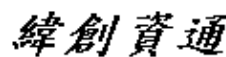
**Layout Comment :**

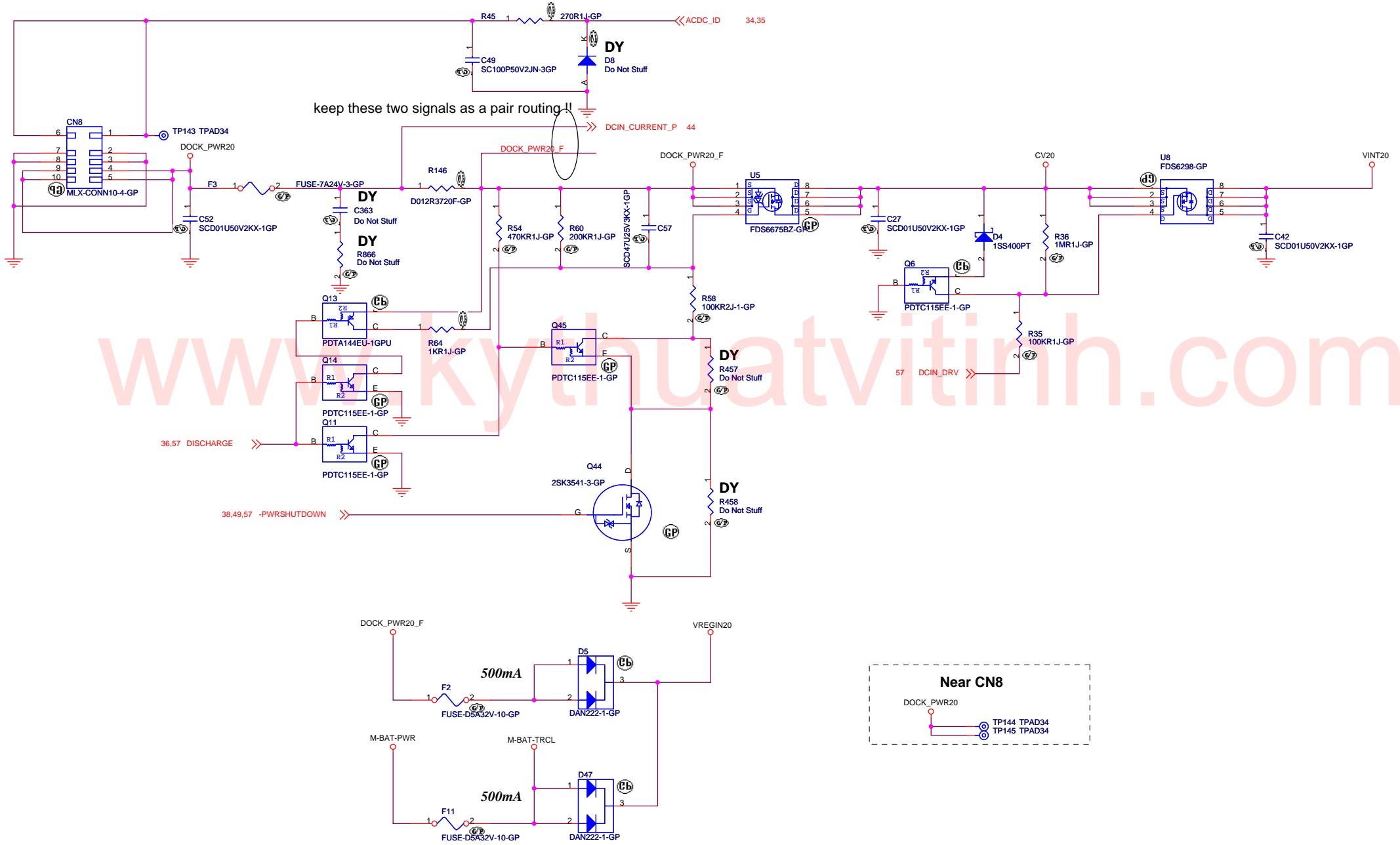
(1) Place C148, C149, Q18, R116, R121, C126, C130, R107, R106 close to U18.

(2) Avoid routing under DCDC switching area.

**Width = 6 mil & Spacing = 10 mil  
 for three Output traces**

BOM

 <b>Wistron Corporation</b> 21F, 88, Sec.1, Hsin Tai Wu Rd., Hsichih, Taipei Hsien 221, Taiwan, R.O.C.	
<b>Title</b> <b>G-SENSOR</b>	
Size A4	Document Number <b>Mocha-1</b>
Date: Thursday, May 08, 2008	Rev <b>-1</b>
Sheet 42 of 62	



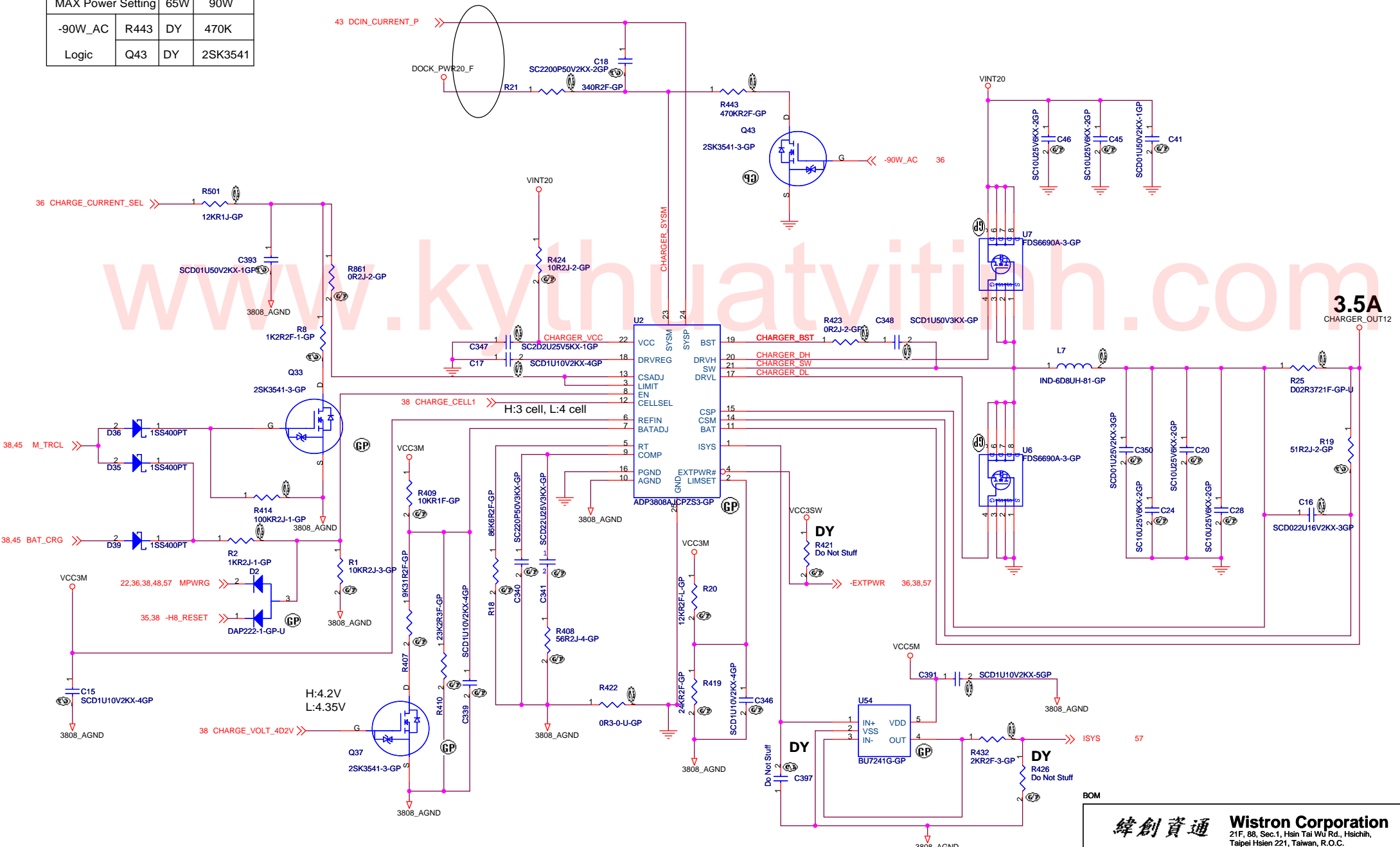
www.kyoceraatvitiuh.com

BOM	
<b>緯創資通 Wistron Corporation</b> 21F, 88, Sec.1, Hsin Tai WJ Rd., Hsichih, Taipei Hsien 221, Taiwan, R.O.C.	
Title	
<b>DC-IN AND CHARGER (1/2)</b>	
Size	Document Number
A3	<b>Mocha-1</b>
Date: Thursday, May 08, 2008	Sheet 43 of 62
Rev	-1

90W, 65W, auto selection mode

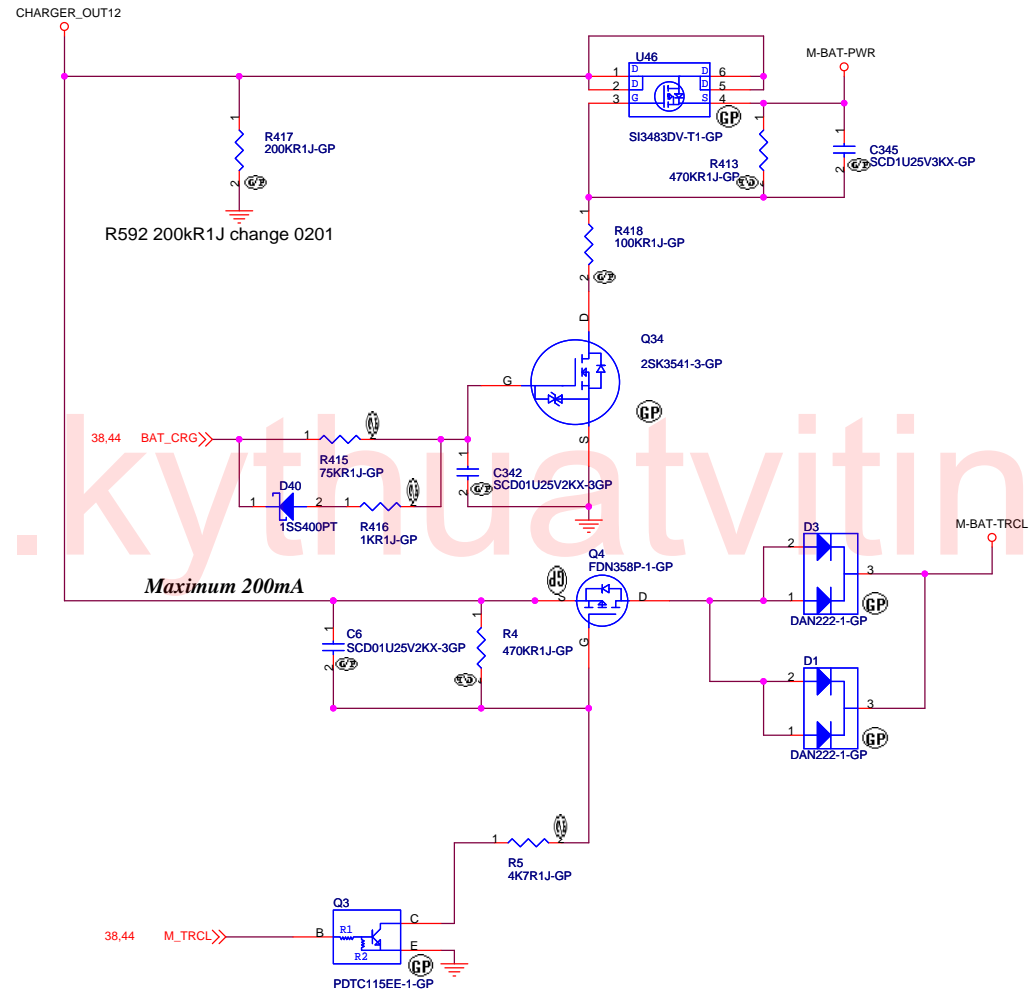
MAX Power Setting	65W	90W
-90W_AC	R443 DY	470K
Logic	Q43 DY	2SK3541

Keep these two signals as a pair routing !!



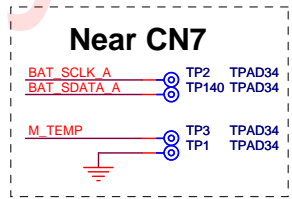
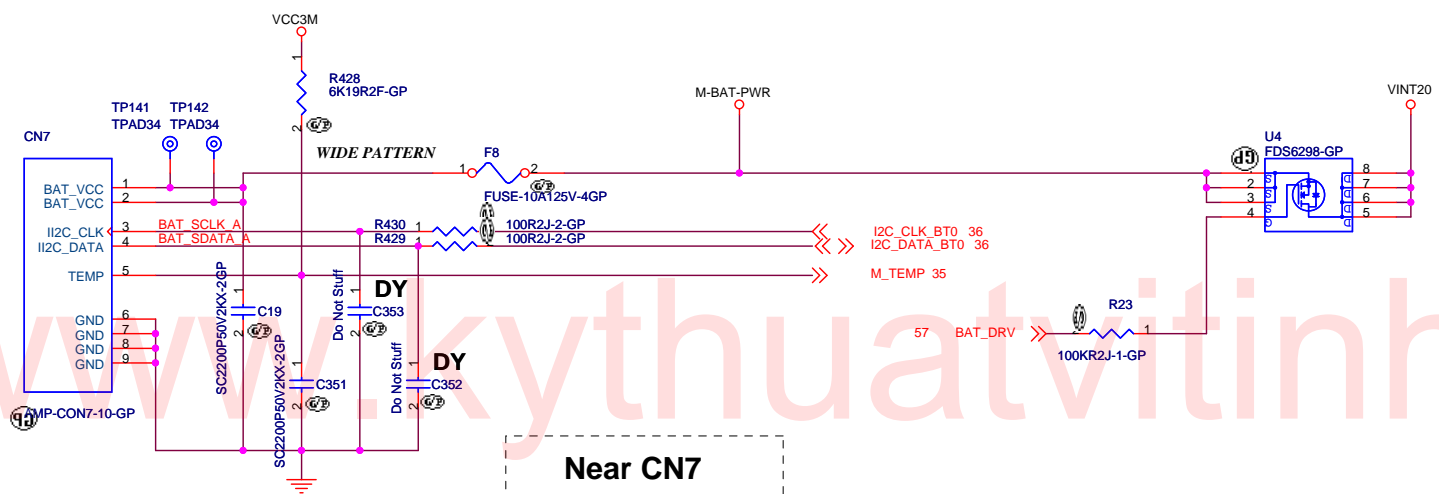
BOM

<p>緯創資通 Wistron Corporation</p> <p>21F, 88, Sec.1, Hsin Tai Wu Rd., Hsichih, Taipei Hsien 221, Taiwan, R.O.C.</p>	
Title	DC-IN AND CHARGER (2/2)
Size	Document Number
A3	Mocha-1
Date: Thursday, May 08, 2008	Sheet 44 of 62

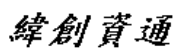


BOM

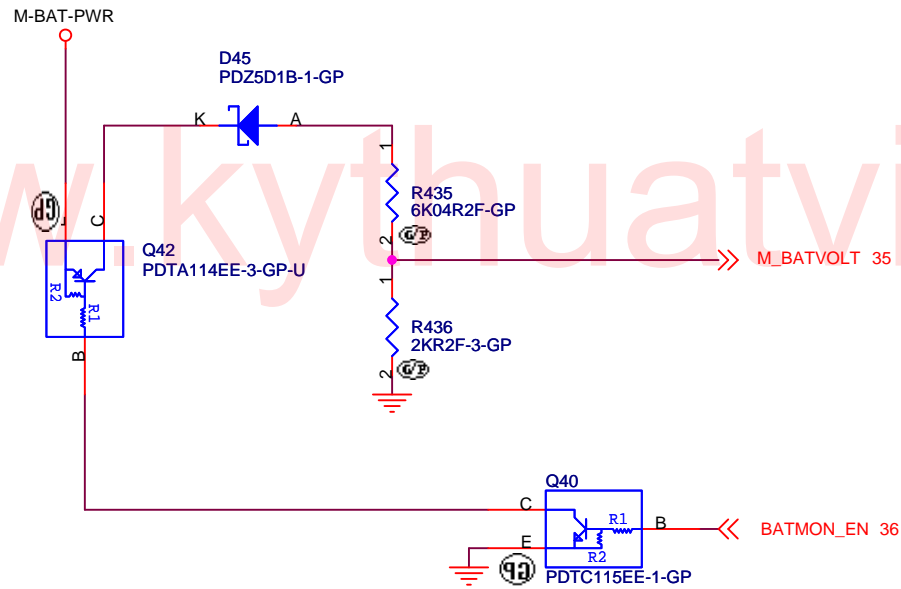
		<b>Wistron Corporation</b> 21F, 88, Sec.1, Hsin Tai Wu Rd., Hsichih, Taipei Hsien 221, Taiwan, R.O.C.
<b>CHARGER SELECT</b>		
Title Size A3	Document Number <b>Mocha-1</b>	Rev -1
Date: Thursday, May 08, 2008      Sheet 45 of 62		



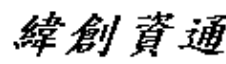
BOM

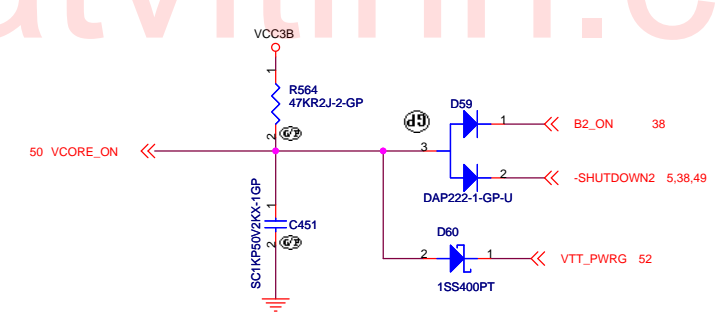
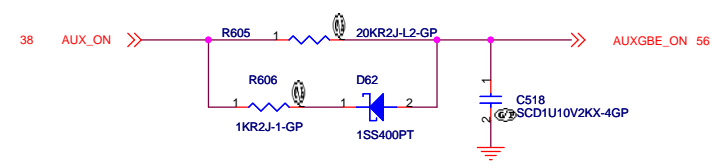
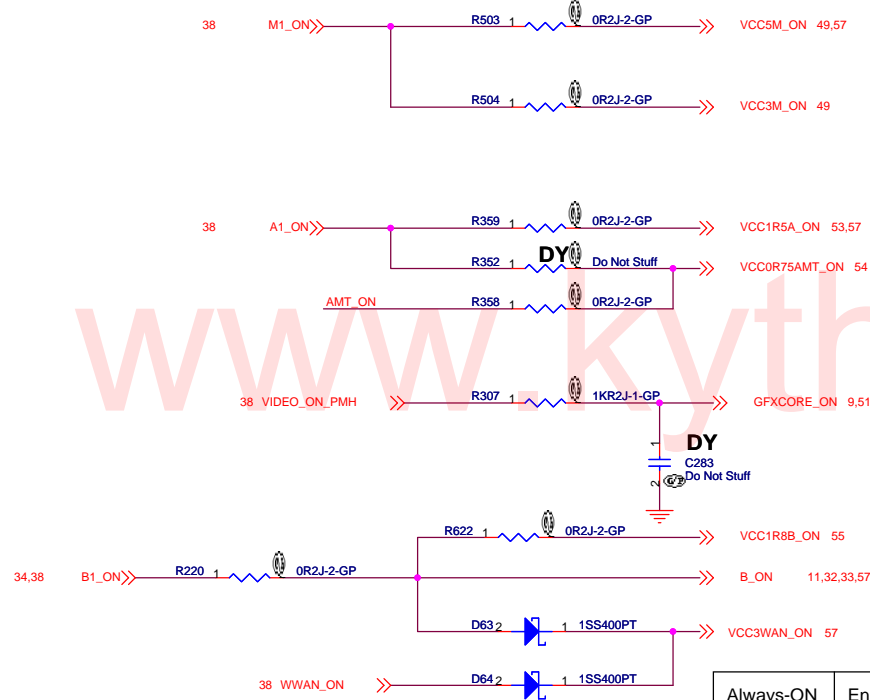
 <b>Wistron Corporation</b> 21F, 88, Sec.1, Hsin Tai Wu Rd., Hsichih, Taipei Hsien 221, Taiwan, R.O.C.		
<b>BATTERY INPUT</b>		
Size B	Document Number <b>Mocha-1</b>	Rev <b>-1</b>
Date: Thursday, May 08, 2008		Sheet 46 of 62

$$V_{OUT} = 0.249 (V_{BAT} - 5)$$

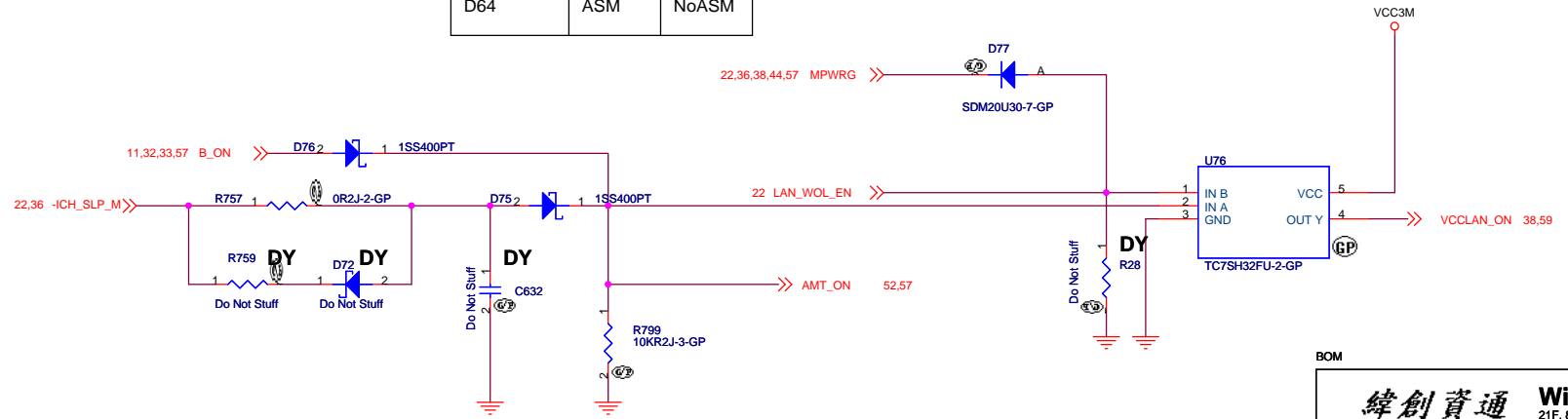


BOM

 <b>Wistron Corporation</b> 21F, 88, Sec.1, Hsin Tai Wu Rd., Hsichih, Taipei Hsien 221, Taiwan, R.O.C.	
<b>BATTERY MONITOR</b>	
Size A4	Document Number <b>Mocha-1</b>
Date: Thursday, May 08, 2008	Sheet 47 of 62
	Rev <b>-1</b>



Always-ON	Enable	Disable
D63	ASM	NoASM
D64	ASM	NoASM



BOM

**緯創資通** Wistron Corporation  
 21F, 88, Sec.1, Hsin Tai Wu Rd., Hsichih,  
 Taipei Hsien 221, Taiwan, R.O.C.

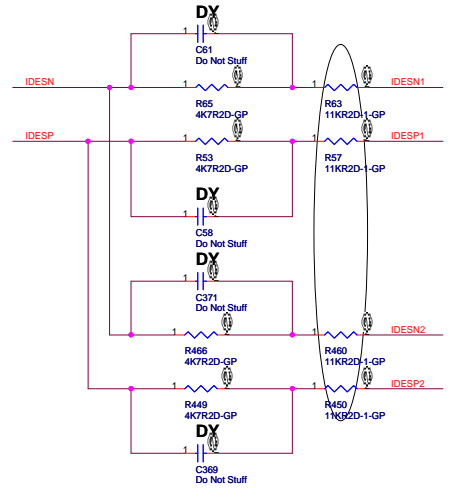
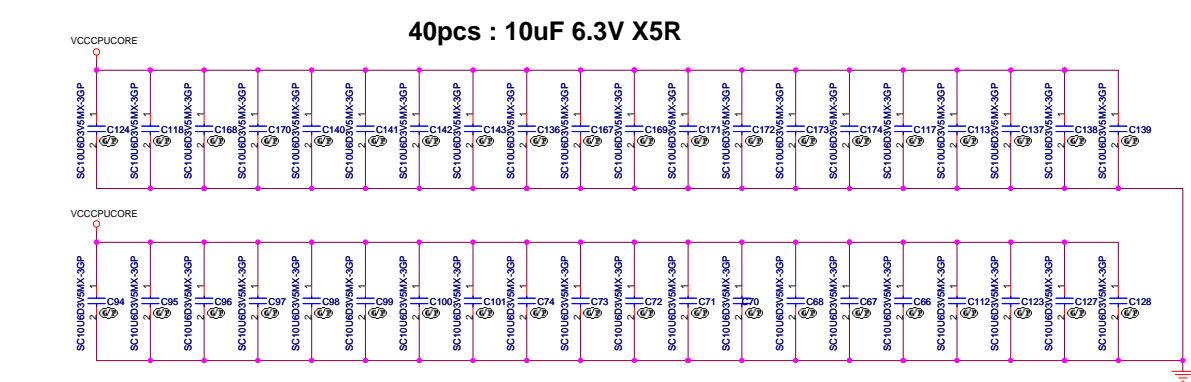
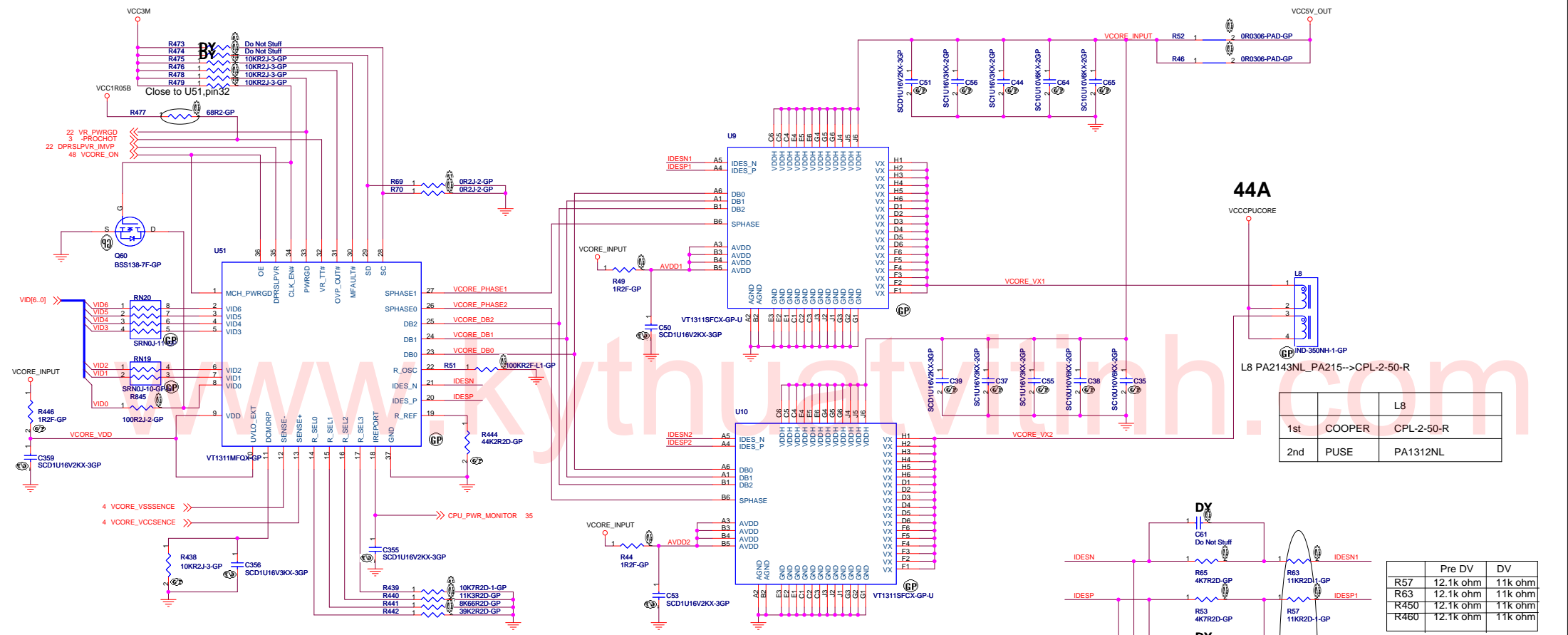
Title: **POWER SEQUENCE**

Size: A3 Document Number: **Mocha-1** Rev: -1

Date: Thursday, May 08, 2008 Sheet: 48 of 62

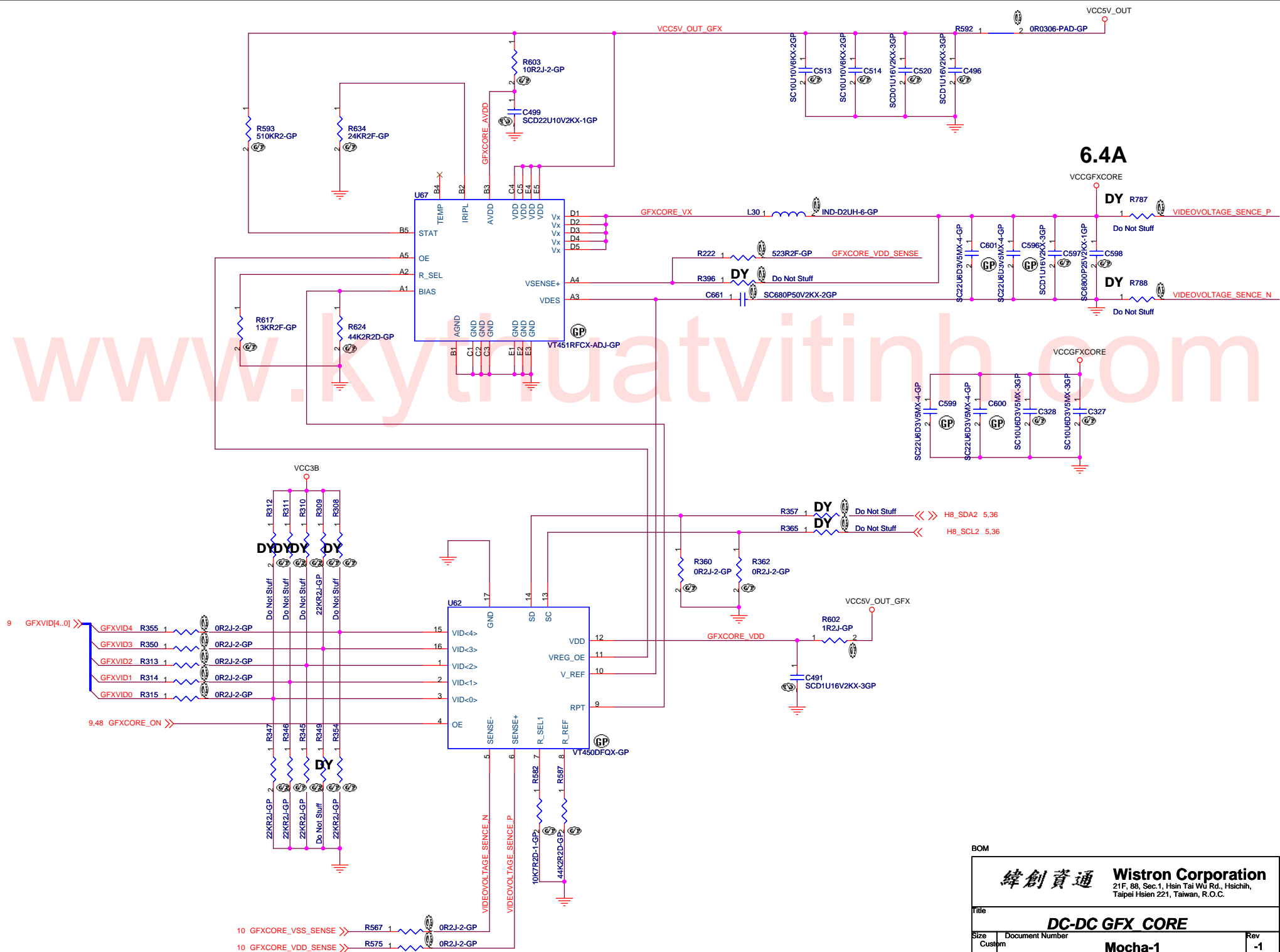




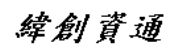


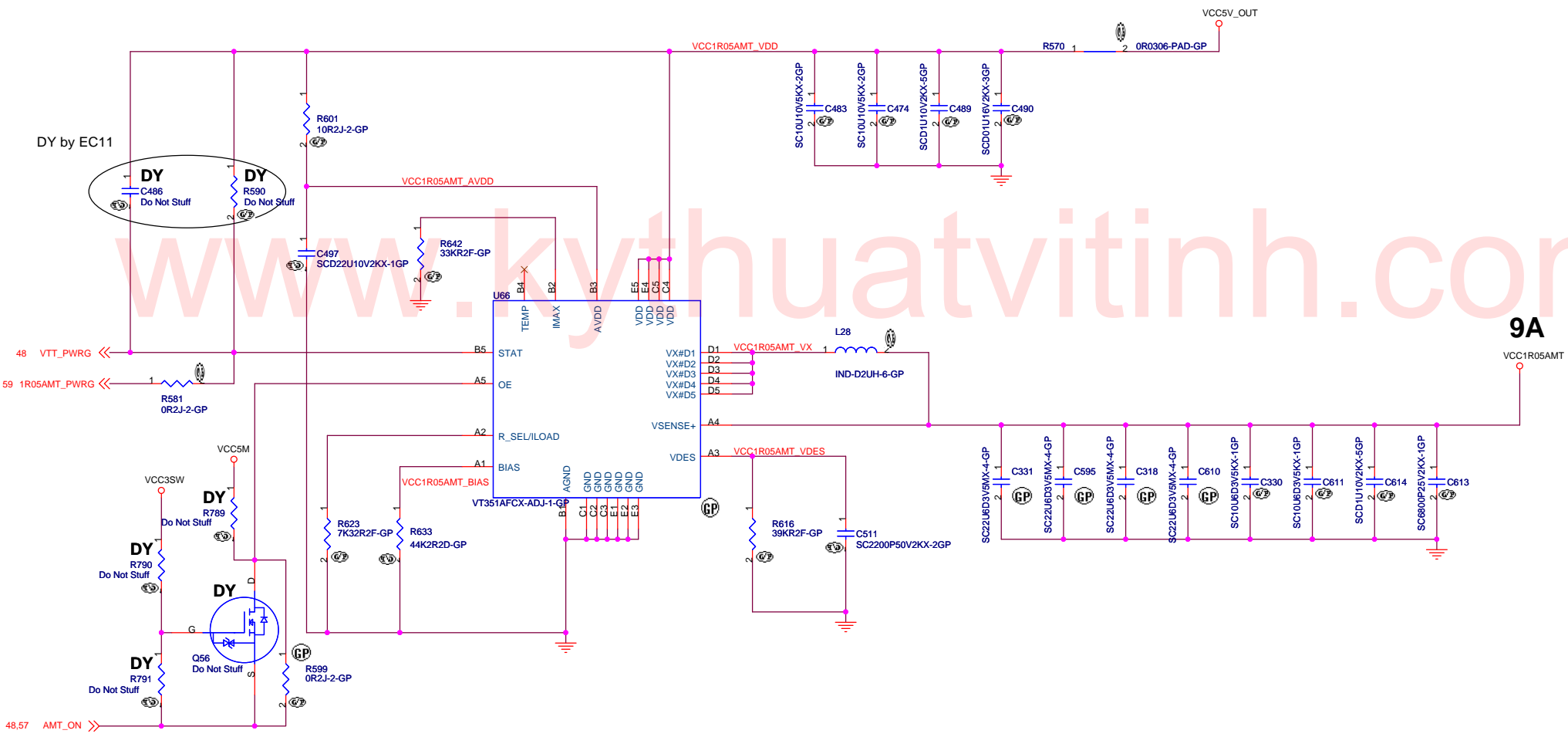
1st	COOPER	CPL-2-50-R
2nd	PUSE	PA1312NL

	Pre DV	DV
R57	12.1k ohm	11k ohm
R63	12.1k ohm	11k ohm
R450	12.1k ohm	11k ohm
R460	12.1k ohm	11k ohm



www.kytruatvith.com

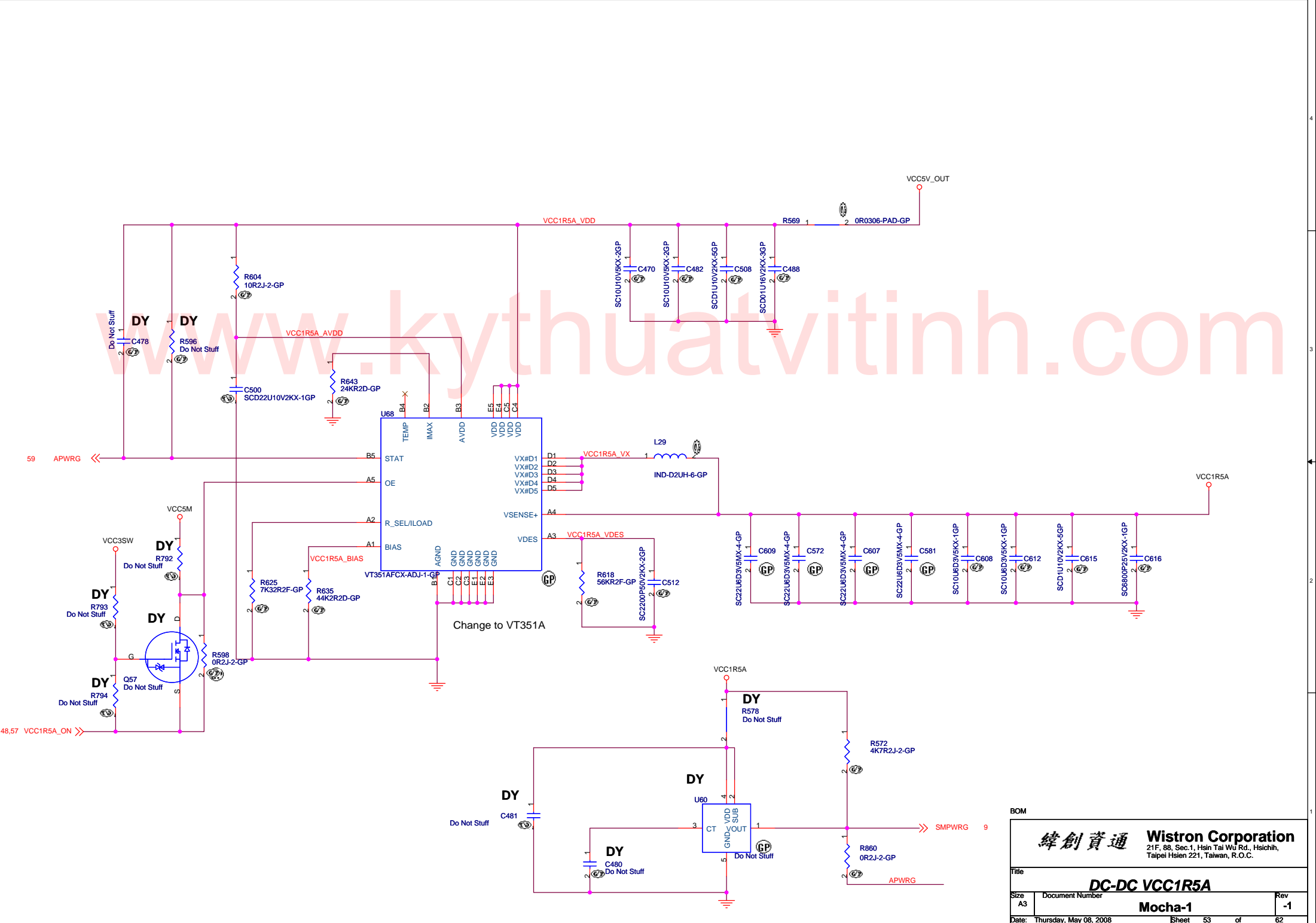
 <b>Wistron Corporation</b> 21F, 88, Sec.1, Hsin Tai Wu Rd., Hsichih, Taipei Hsien 221, Taiwan, R.O.C.	
<b>DC-DC GFX CORE</b>	
Title	
Size	Document Number
Custom	<b>Mocha-1</b>
Date: Thursday, May 08, 2008	Sheet 51 of 62



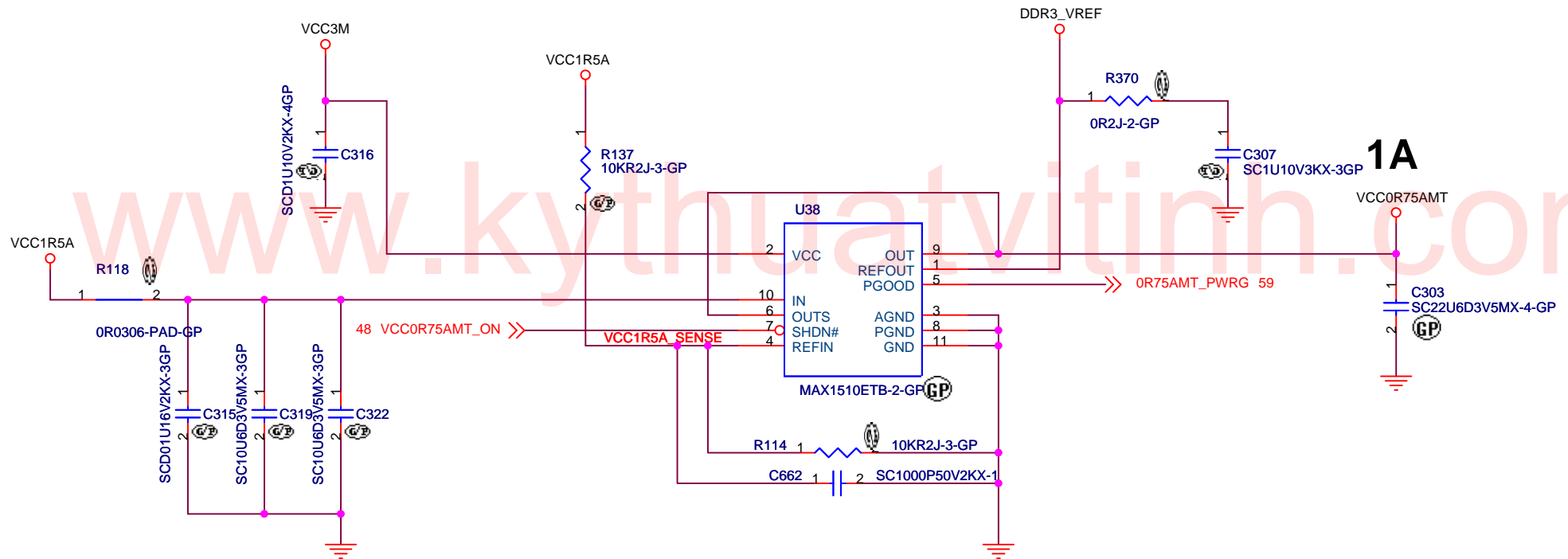
DY by EC11

www.ky#huatvith.com


BOM	
<b>緯創資通</b> <b>Wistron Corporation</b> 21F, 88, Sec.1, Hsin Tai Wu Rd., Hsichih, Taipei Hsien 221, Taiwan, R.O.C.	
<b>DC-DC VCC1R05AMT</b>	
Title	Rev
Size	Document Number
A3	Mocha-1
Date: Thursday, May 08, 2008	Sheet 52 of 62



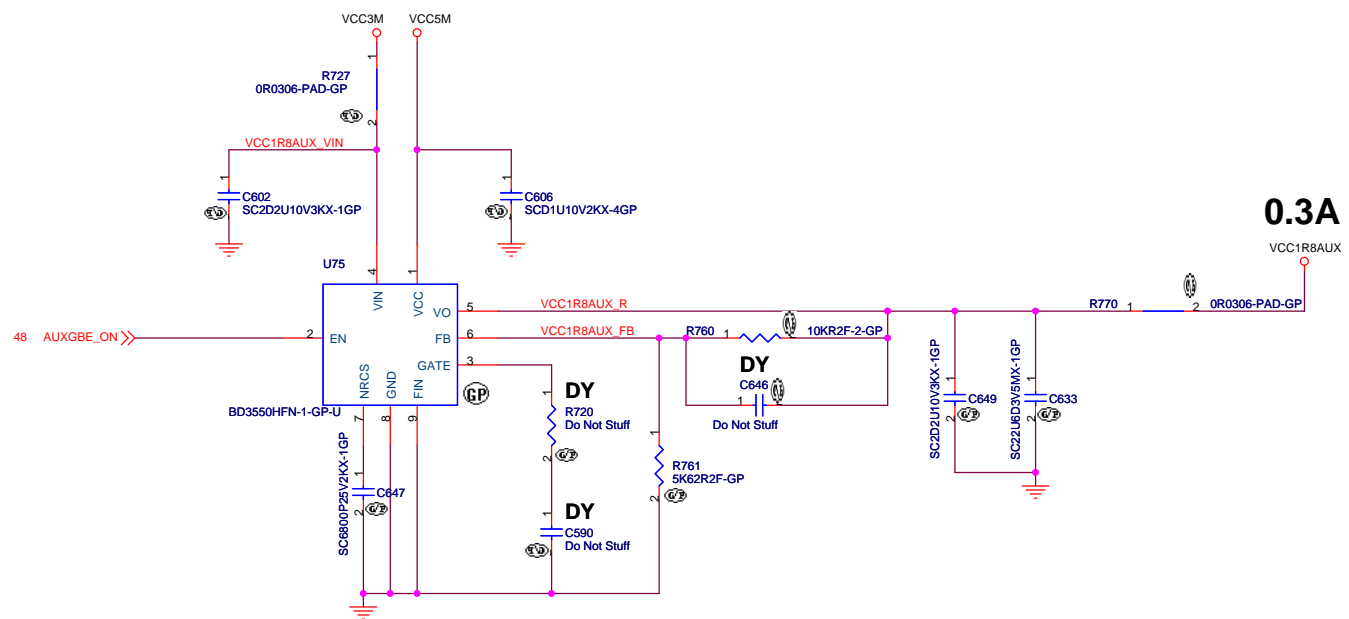
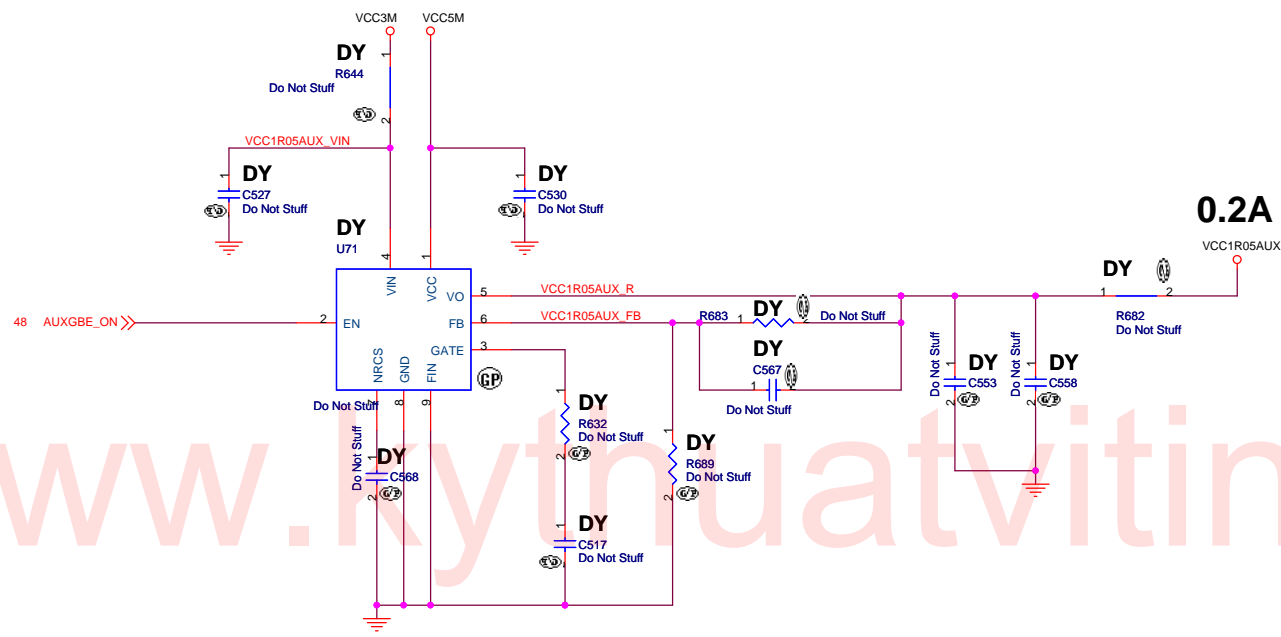
<b>緯創資通 Wistron Corporation</b> 21F, 88, Sec.1, Hsin Tai Wu Rd., Hsichih, Taipei Hsien 221, Taiwan, R.O.C.		
<b>DC-DC VCC1R5A</b>		
Title Size A3	Document Number <b>Mocha-1</b>	Rev <b>-1</b>
Date: Thursday, May 08, 2008 Sheet 53 of 62		



BOM

 <b>Wistron Corporation</b> 21F, 88, Sec.1, Hsin Tai Wu Rd., Hsichih, Taipei Hsien 221, Taiwan, R.O.C.	
<b>Title</b> <b>DC-DC VCC0R75AMT</b>	
<b>Size</b> A4	<b>Document Number</b> <b>Mocha-1</b>
<b>Rev</b> <b>-1</b>	
Date: Thursday, May 08, 2008	
Sheet 54 of 62	



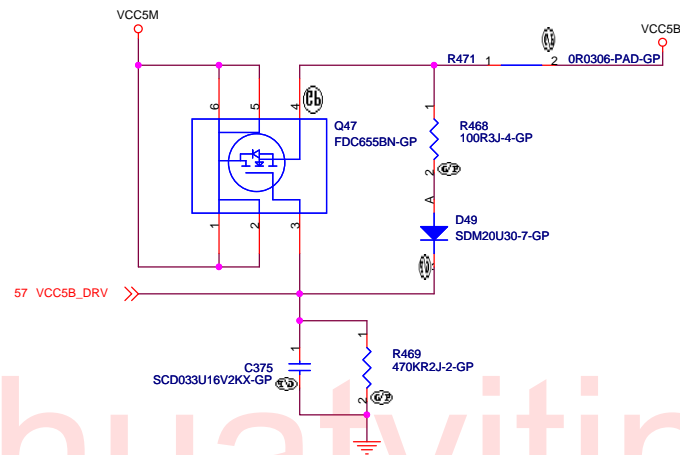
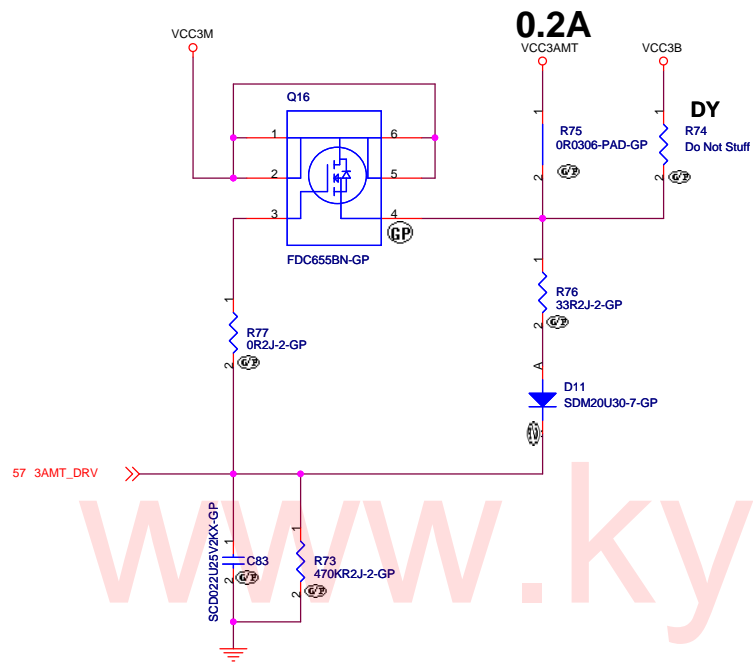


BOM

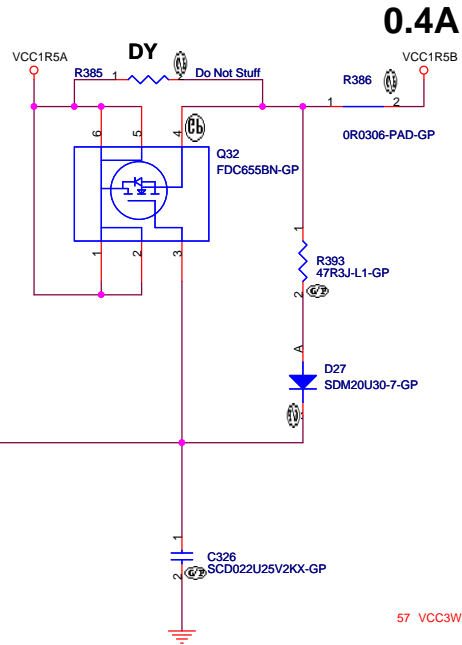
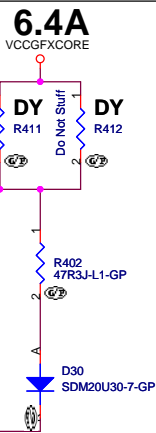
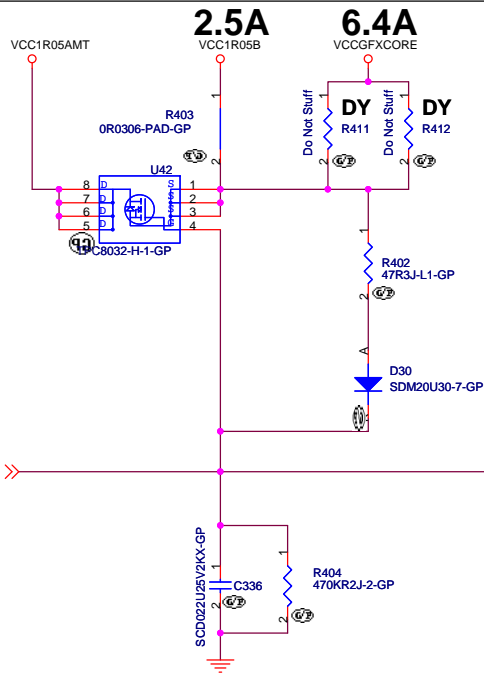
<b>Wistron Corporation</b> 21F, 88, Sec.1, Hsin Tai Wu Rd., Hsichih, Taipei Hsien 221, Taiwan, R.O.C.	
<b>DC-DC VCC1R05AUX/VCC1R8AUX</b>	
Title	Document Number
Size	Rev
A3	-1
<b>Mocha-1</b>	
Date: Thursday, May 08, 2008	Sheet 56 of 62



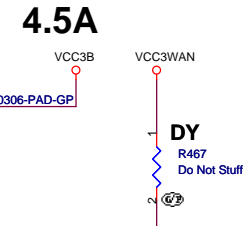
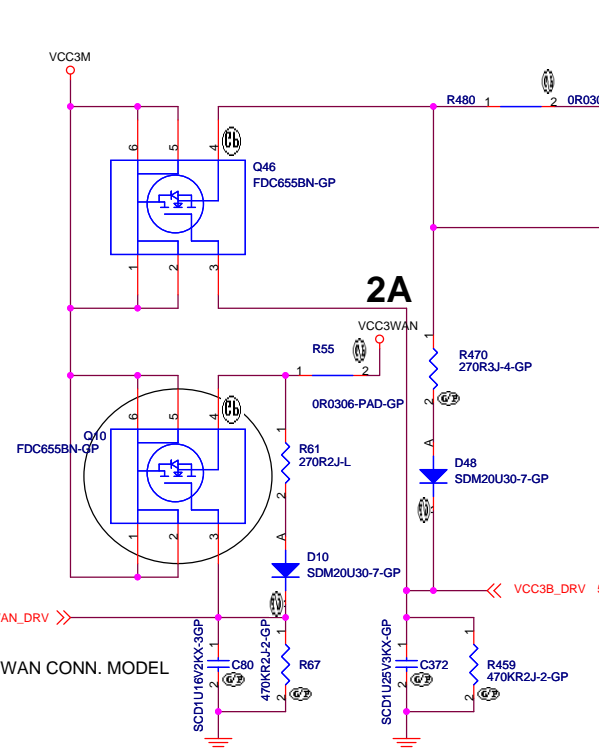




www.kythuathinh.com



No-asm for no WWAN CONN. MODEL



	Always-ON	Enable	Disable
Q10		ASM	NoASM
R61		ASM	NoASM
D10		ASM	NoASM
R67		ASM	NoASM
C80		ASM	NoASM
R55		ASM	NoASM
R467		NoASM	ASM

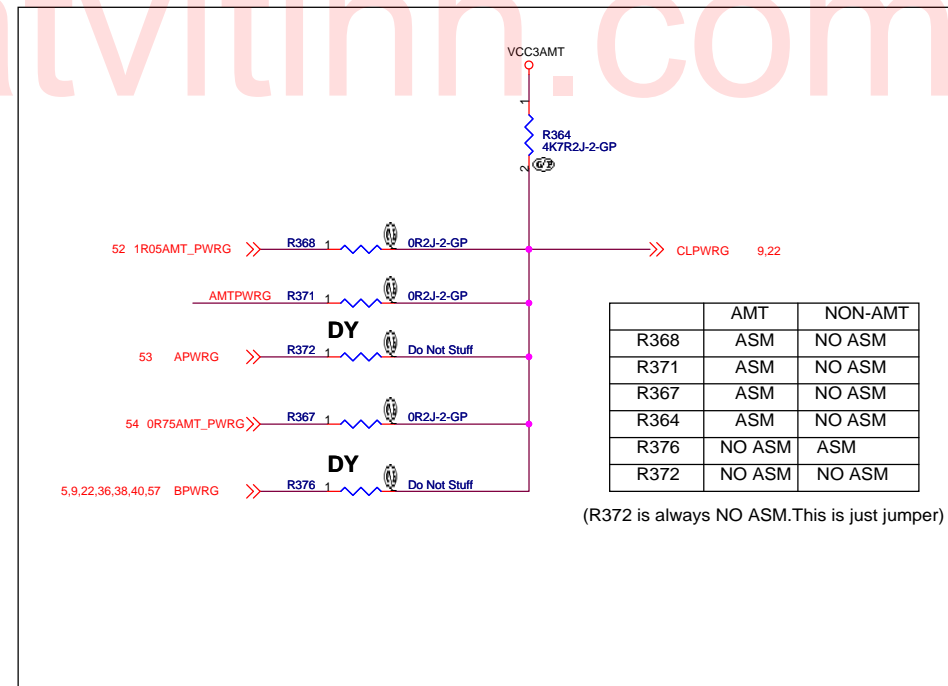
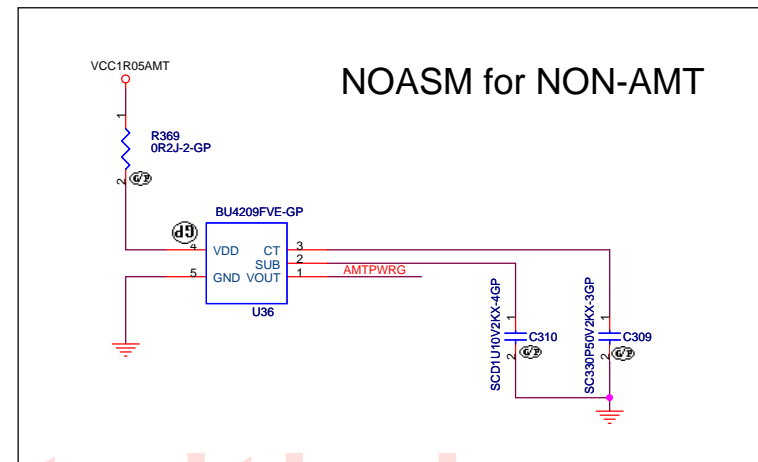
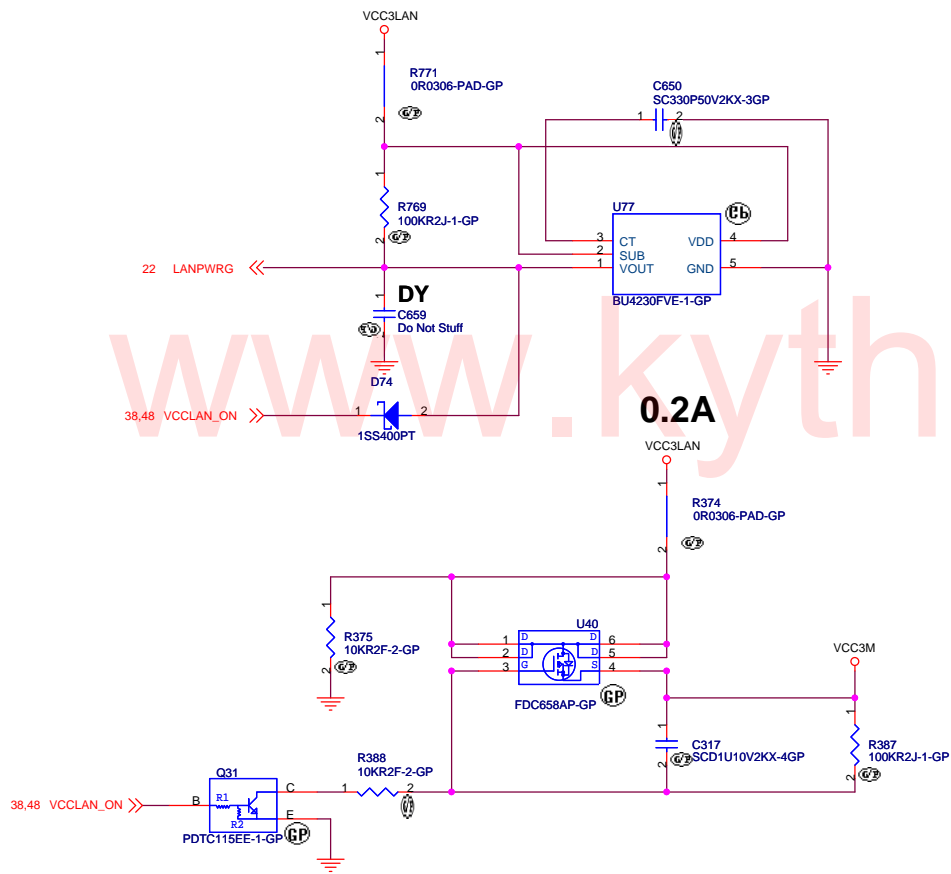
BOM

緯創資通 Wistron Corporation  
21F, 88, Sec.1, Hsin Tai WJ Rd., Hsichih, Taipei Hsien 221, Taiwan, R.O.C.

Title: **LOAD SW 1**

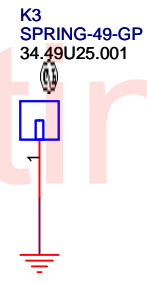
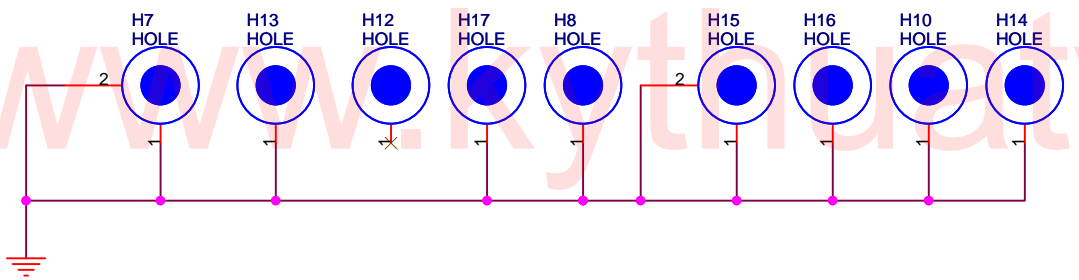
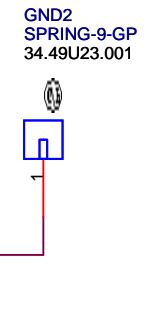
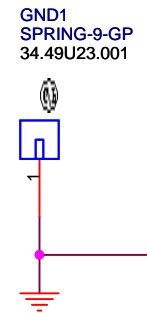
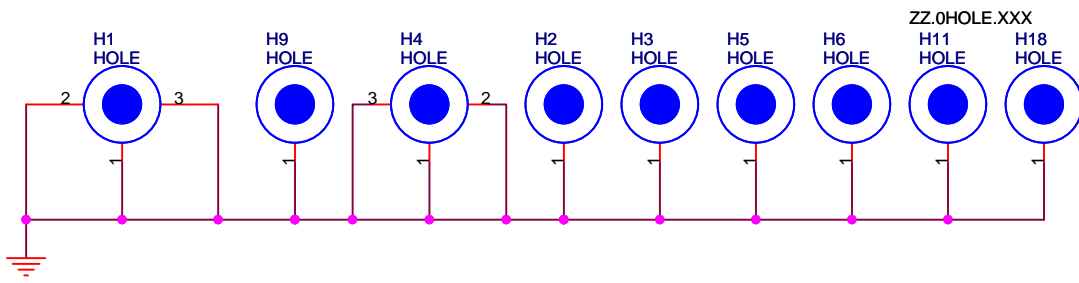
Size: A3 Document Number: **Mocha-1** Rev: -1

Date: Thursday, May 08, 2008 Sheet: 58 of 62



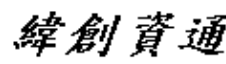
BOM

		<b>Wistron Corporation</b> 21F, 88, Sec.1, Hsin Tai WJ Rd., Hsichih, Taipei Hsien 221, Taiwan, R.O.C.	
<b>LOAD SW 2</b>			
Size	Document Number	Rev	
A3		-1	
Date:	Thursday, May 08, 2008	Sheet	59 of 62

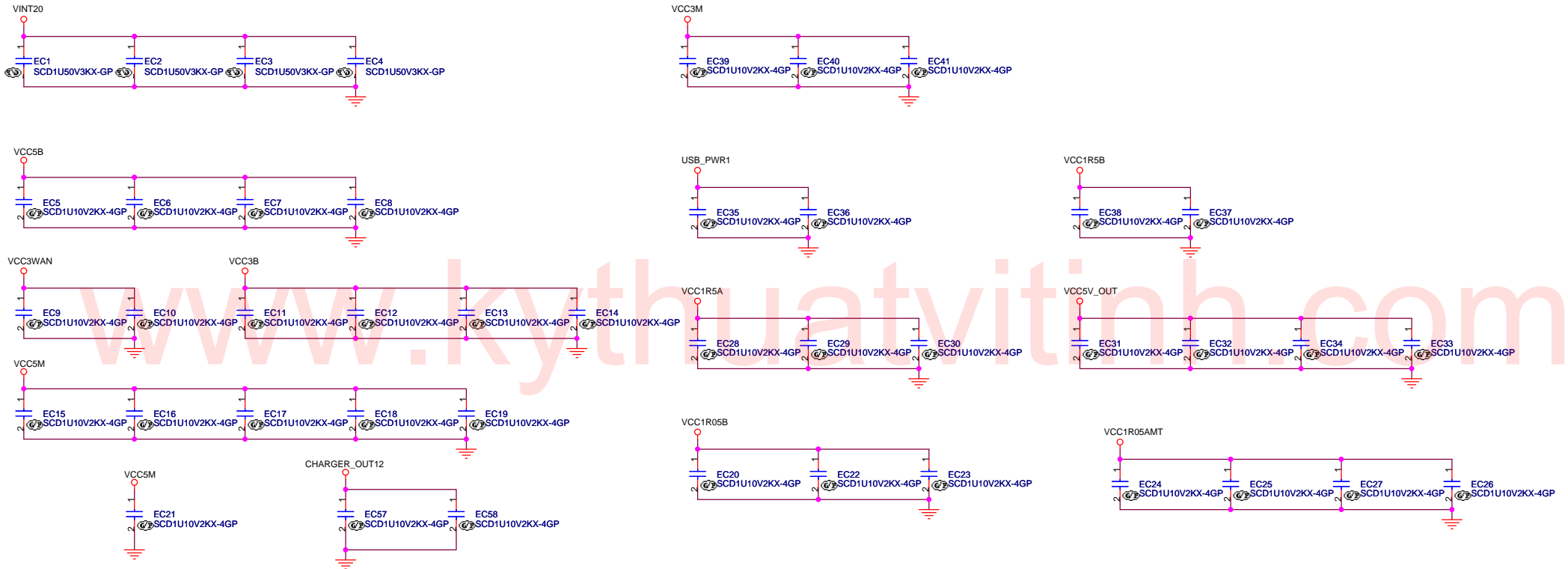


www.kytron.com

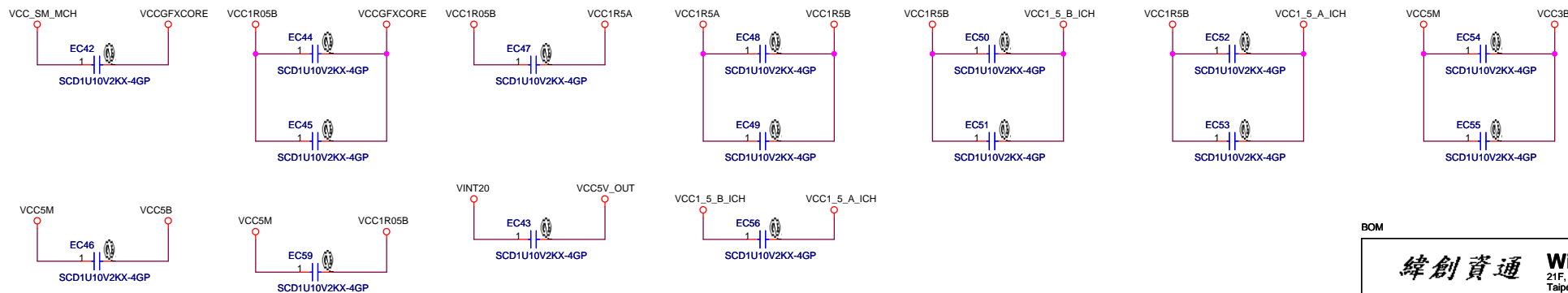
BOM

 <b>Wistron Corporation</b> 21F, 88, Sec.1, Hsin Tai Wu Rd., Hsichih, Taipei Hsien 221, Taiwan, R.O.C.		
<b>HOLES/GND/PADS</b>		
Size A4	Document Number <b>Mocha-1</b>	Rev <b>-1</b>
Date: Thursday, May 08, 2008		Sheet 60 of 62

# Long power trace EMI decoupling caps



# Power Moat EMI decoupling caps



BOM

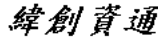
<p><b>緯創資通</b> Wistron Corporation 21F, 88, Sec.1, Hsin Tai Wu Rd., Hsichih, Taipei Hsien 221, Taiwan, R.O.C.</p>	
<p>Title: <b>EMI DECOUPLING</b></p>	
Size: A3	Document Number: <b>Mocha-1</b>
Date: Thursday, May 08, 2008	Rev: <b>-1</b>
Sheet: 61	of 62

# Comparison chart for Always On function

Item	Page	Location Netname	AMT	NON_AMT	Modify	Note
------	------	---------------------	-----	---------	--------	------

www.kythuatvithinh.com

BOM

 <b>Wistron Corporation</b> 21F, 88, Sec.1, Hsin Tai Wu Rd., Hsichih, Taipei Hsien 221, Taiwan, R.O.C.	
Title	
<b>AMT FUNCTION CONTROL TABLE</b>	
Size A3	Document Number <b>Mocha-1</b>
Date: Thursday, May 08, 2008	Rev -1
Date: Thursday, May 08, 2008      Sheet 62 of 62	