

DATE	EC NO.	PART NO.
20061220	L11403	42W7622
DEVELOPMENT NO.		Q/M
		1 / 97

MLB-1 NV EXT SVT LOGIC SCHEMATICS

VER 2.27
JANUARY/31/2007

- | | |
|--------------------------------------|--------------------------------------|
| 1. TITLE PAGE | 47. CDC CONNECTOR |
| 2. EC HISTORY | 48. CARDBUS CONTROLLER(1/2) |
| 3. CPU(1/3) | 49. CARDBUS CONTROLLER(2/2) |
| 4. CPU(2/3) | 50. CARDBUS/EXC SLOT |
| 5. CPU(3/3) | 51. CARDBUS/EXC PWR CTRL |
| 6. ITP CON/LARGE PTH HOLE/EMI FINGER | 52. GBE LAN SW |
| 7. CRESTLINE(1/7) : HOST I/F | 53. GBE NINEVEH(1/2) |
| 8. CRESTLINE(2/7) : DDR2-A | 54. BLANK PAGE |
| 9. CRESTLINE(3/7) : DDR2-B | 55. GBE MAGNETICS |
| 10. CRESTLINE(4/7) : PEG/DMI | 56. RJ11/RJ45 CONNECTOR |
| 11. CRESTLINE(5/7) : GRAPHICS | 57. MINI PCI SLOT |
| 12. CRESTLINE(6/7) : VCC | 58. EEPROM/FLASH/SHARED |
| 13. CRESTLINE(7/7) : GND | 59. DOCKING CONNECTOR |
| 14. POWER FOR CRESTLINE | 60. H8S/2116B (1/2) |
| 15. DDR2 SODIMM-A | 61. H8S/2116B (2/2) |
| 16. DDR2 SODIMM-B | 62. KEYBOARD CONNECTOR |
| 17. DDR2 TERMINATION | 63. TOUCH PAD CONNECTOR |
| 18. DDR2 DECOUPLING | 64. MISC G/A (PMH7) |
| 19. CLOCK GEN(ICS954309) | 65. SUPER I/O (PC87385) |
| 20. NV NB8M-GS : PEG I/F | 66. WIRELESS DISABLE SW |
| 21. NV NB8M-GS : LVDS/CRT/TV/TMDS | 67. LEGACY IO INTERFACE |
| 22. NV NB8M-GS : CLK/GPIO | 68. BLANK PAGE |
| 23. NV NB8M-GS : ANALOG POWER | 69. THERMAL SENSOR |
| 24. NV NB8M-GS : VCC | 70. I2CBUS/SMBUS |
| 25. NV NB8M-GS : GND | 71. FAN CONTROL |
| 26. DYNAMIC MEMORY TERMINATION | 72. G-SENSOR |
| 27. VRAM FOR ATI M6X CHANNEL-A | 73. EMC DECOUPLING |
| 28. LCD CONNECTOR | 74. RGB SWITCH |
| 29. EXT CRT INTERFACE | 75. DC-IN |
| 30. PATA I/F PU | 76. BATTERY CHARGER (MAX8765) |
| 31. ICH8-M(1/4) : DMI/PCI/LPC/AC97 | 77. CHARGE SELECTOR |
| 32. ICH8-M(2/4) : ATA/USB/PM | 78. BATTERY INPUT |
| 33. ICH8-M(3/4) : PCI EXPRESS | 79. BATTERY MONITOR |
| 34. ICH8-M(4/4) : VCC/GND | 80. POWER SEQUENCE |
| 35. FWH,RTC BATTERY | 81. DC-DC VCC3M/VCC5M (MAX8774) |
| 36. SATA HDD CONN | 82. DC-DC VCCCPUCORE (ADP3207) |
| 37. BAY I/F CONN | 83. VCCCPUCORE DECOUPLING |
| 38. USB POWER/CONN | 84. DC-DC VCC1R05M |
| 39. AUDIO AD1981HD | 85. DC-DC VCCGFXCORE(MAX1993) |
| 40. AUDIO MISC | 86. DC-DC VCC1R8M/VCC0R9A (MAX8632) |
| 41. AUDIO INT MIC | 87. DC-DC VCC1R05B/VCC1R5M (MAX1540) |
| 42. AUDIO HP & EXT MIC CONN | 88. DC-DC VCC1R25AMT (VT322) |
| 43. AUDIO EXT MIC AMP | 89. LOAD SW AMT |
| 44. AUDIO SPEAKER | 90. PWRG |
| 45. AUDIO HDP AMP MAX9789A(1/2) | 91. RINKAI-1 |
| 46. AUDIO HDP AMP MISC(2/2) | 92. LOAD SW VIDEO |
| | 93. LOAD SW AUX1,AUX2 |
| | 94. LOAD SW B&UBAY |
| | 95. MAX POWER CTRL |
| | 96. POWER MOMITOR |
| | 97. PTH FOR SCREW HOLES |

DESIGNER	K.Y	06/01/06	PART NO.	42W7622
CHECKED	Y.I	06/01/06	TITLE	MLB-1 SVT
APPROVED	T.S	06/01/06	TITLE	PAGE
CLASS	T.S	06/01/06	LENOVO CONFIDENTIAL	

THIS DOCUMENT IS THE PROPERTY OF LENOVO/ITS USE IS AUTHORIZED ONLY FOR RESPONDING TO A REQUEST FOR QUOTATION OR FOR THE PERFORMANCE OF WORK FOR LENOVO/ALL QUESTIONS MUST BE REFERRED TO THE LENOVO PURCHASING DEPARTMENT.

EC HISTORY

SDV (BASE LOGIC DAV3 SDV VER.1.16)

VER.0.01	06/05/2006	APPLIED	DAV3_SDV 081
VER.0.01	06/05/2006	APPLIED	MLB_SDV 001
VER.0.02	06/07/2006	APPLIED	DAV3_FVT 005,006,009
VER.0.03	06/05/2006	APPLIED	DAV3_SDV 084,085
VER.0.03	06/05/2006	APPLIED	DAV3_FVT 013
VER.0.04	06/14/2006	APPLIED	DAV3_SDV 086
VER.0.04	06/14/2006	APPLIED	DAV3_FVT 018,015,014,011
VER.0.05	06/15/2006	APPLIED	DAV3_FVT 028
VER.0.06	06/16/2006	APPLIED	DAV3_SDV 003,036,035,032
VER.0.07	06/19/2006	APPLIED	DAV3_FVT 038,039
VER.0.08	06/20/2006	APPLIED	DAV3_FVT 040,039,020,003
VER.0.09	06/21/2006	APPLIED	DAV3_FVT 039,038,036,006,041
VER.0.10	06/21/2006	APPLIED	DAV3_SDV 007
VER.0.11	06/23/2006	APPLIED	DAV3_SDV 011-009
VER.0.12	06/24/2006	APPLIED	DAV3_FVT 051-047,045
VER.0.13	06/26/2006	APPLIED	DAV3_SDV 012
VER.0.14	06/27/2006	APPLIED	DAV3_FVT 054-57&SIV 01(EXCEPT 053)
VER.0.15	06/28/2006	APPLIED	DAV3_FVT 053,054-57&SIV 01
VER.0.16	07/01/2006	APPLIED	DAV3_SDV013-014&FVT063
VER.0.17	07/04/2006	APPLIED	DAV3_SDV015-016
VER.0.18	07/05/2006	APPLIED	DAV3_SDV017-018&SIV005,007
VER.0.19	07/07/2006	APPLIED	DAV3_FVT069&SIV011
VER.0.20	07/11/2006	APPLIED	DAV3_SDV019,021,20-2&SIV012-013,020
VER.0.21	07/13/2006	APPLIED	DAV3_SDV022-025&SIV024
VER.0.22	07/21/2006	APPLIED	DAV3_SIV028,032,034&FVT075,080,083-084 SDV027-029,031

DV6 (BASE LOGIC MLB-1 EXT SDV VER.1.09)

VER.2.00	11/16/2006	APPLIED	MLB1_SIT_034-044,46)
VER.2.00	11/16/2006	APPLIED	DAV3_SIT_071-074,079,082,088,089,091,096)
VER.2.01	11/20/2006	APPLIED	MLB1_SIT_45,47)
VER.2.01	11/20/2006	APPLIED	DAV3_SIT_104,110-112)
VER.2.02	11/22/2006	APPLIED	MLB1_SIT_48,51)
VER.2.02	11/22/2006	APPLIED	DAV3_SIT_115,116,119-121)
VER.2.03	12/05/2006	APPLIED	DAV3_SIT_058,069,083-85,90,100)
VER.2.03	12/12/2006	APPLIED	MLB1_SIT_093,052,058,78,80)
VER.2.04	12/13/2006	APPLIED	MLB1_SIT_062,066,067,073,074,076,077)
VER.2.04	12/13/2006	APPLIED	DAV3_SIT_102,103,106,107,122,123,126)
VER.2.04	12/13/2006	APPLIED	DAV3_SIT_127,131,132,141,143,135)
VER.2.04	12/13/2006	APPLIED	DAV3_NV_071,080)
VER.2.05	12/25/2006	APPLIED	MLB1_SIT_EC034,035,036,037,039,040,045,052,054
VER.2.05	12/15/2006	APPLIED	EC055,057,063,061,060,059,064,065,066
VER.2.05	12/15/2006	APPLIED	DAV3_NV_EC083,085,086
VER.2.05	12/15/2006	APPLIED	DAV3_SIT_EC145,148,153,159
VER.2.05	12/15/2006	APPLIED	MLB1_SIT_EC069,070,071,072,074,075,082,083
VER.2.06	12/18/2006	APPLIED	DAV3_SIT_EC086,105,108,133
VER.2.07	12/20/2006	APPLIED	DAV3_NV_EC087,157,160,162,168
VER.2.07	12/20/2006	APPLIED	MLB1_SIT_EC091,095,102,103
VER.2.08	12/21/2006	APPLIED	DAV3_SIT_EC170
VER.2.08	12/21/2006	APPLIED	MLB1_SIT_EC113,114,115
VER.2.08	12/21/2006	APPLIED	DAV3_SIT_EC141
VER.2.09	12/22/2006	APPLIED	DAV3_SIT_EC172
VER.2.09	12/22/2006	APPLIED	MLB1_SIT_EC116
VER.2.10	12/25/2006	APPLIED	DAV3_SIT_EC173
VER.2.10	12/25/2006	APPLIED	MLB1_SIT_EC121
VER.2.11	12/28/2006	APPLIED	MDAV3_SIT_EC177 MLB1_SIT_EC132,133
VER.2.12	01/12/2007	APPLIED	EC OF GBE POWER FOR ITEG SVT
VER.2.12	01/12/2007	APPLIED	MALIBU-1_PN_EC1226
VER.2.12	01/12/2007	APPLIED	H2W_P52
VER.2.12	01/12/2007	APPLIED	EC TRANSACTION 0111

SIV (BASE LOGIC MLB-1 EXT SDV VER.0.22)

VER.1.00	08/25/2006	APPLIED	DAV3_SIV0140,017,026,031,038-040,042-045,047,051-052)
VER.1.00	08/25/2006	APPLIED	DAV3_SIV054-055,057,060-061,063-065,067-076)
VER.1.00	08/25/2006	APPLIED	DAV3_SIV078-084,086,094-095,097-098,100)
VER.1.00	08/25/2006	APPLIED	DAV3_SIV103-104,108-109,113,114,117,119-124)
VER.1.00	08/25/2006	APPLIED	MLB1_SIV001,006,009
VER.1.01	08/25/2006	APPLIED	DAV3_SIV016,089,090,096,099,101,115,118,127-130,133)
VER.1.01	08/25/2006	APPLIED	MLB1_SIV002-005,007,008,010,011,013,017,018)
VER.1.02	09/04/2006	APPLIED	MLB1_SIV026,048,056,058,059,116,126,132,134,135-137)
VER.1.02	09/04/2006	APPLIED	MLB1_SIV007,012,014-016,019-041,043-046)
VER.1.03	09/07/2006	APPLIED	MLB1_SIV047-057)
VER.1.04	09/12/2006	APPLIED	DAV3_SIV138,139,141)
VER.1.04	09/12/2006	APPLIED	MLB1_SIV058,059)
VER.1.05	09/13/2006	APPLIED	DAV3_SIV143,145,146)
VER.1.05	09/13/2006	APPLIED	MLB1_SIV060)
VER.1.06	09/15/2006	APPLIED	MLB1_SIV063,065-068)

SIT (BASE LOGIC MLB-1 EXT DV6 VER.2.12)

VER.2.13	01/15/2007	APPLIED	ACPRESENT
VER.2.13	01/15/2007	APPLIED	BD3551_P52_070112
VER.2.14	01/16/2007	APPLIED	_42W7622SIT0115_P25_20070116
VER.2.14	01/16/2007	APPLIED	GFXCORE CAP 20070116.GIF
VER.2.16	01/17/2007	APPLIED	MLB1_SIT_EC151 20070117
VER.2.16	01/17/2007	APPLIED	DAV3_SIT_EC182 20070117
VER.2.16	01/17/2007	APPLIED	DAV3_SIT_EC180 20070117
VER.2.17	01/17/2007	APPLIED	DAV3_SVT_EC009 20070117
VER.2.18	01/18/2007	APPLIED	MLB1_SIT_EC153 20070118
VER.2.20	01/19/2007	APPLIED	MLB1_SIT_EC155,156 20070119

SIV NV (BASE LOGIC MLB-1 EXT SDV VER.1.06)

VER.1.00	10/11/2006	APPLIED	MLB1_NV_002-006)
VER.1.00	10/11/2006	APPLIED	DAV3_NV_001,003-009,010-012,015-020,023,030,031,35)
VER.1.01	10/12/2006	APPLIED	MLB1_NV_001)
VER.1.01	10/12/2006	APPLIED	DAV3_NV_013,034,036,039,040)
VER.1.01	10/12/2006	APPLIED	DAV3_SIT_008,009,012,014,015,017,020-022)
VER.1.01	10/12/2006	APPLIED	DAV3_SIT_025-027,030,032,034,036)
VER.1.02	10/13/2006	APPLIED	MLB1_SIT_013,011)
VER.1.02	10/13/2006	APPLIED	DAV3_NV_041)
VER.1.03	10/14/2006	APPLIED	MLB1_NV_007-010)
VER.1.03	10/14/2006	APPLIED	DAV3_SIT_004)
VER.1.03	10/14/2006	APPLIED	MLB1_SIT_015)
VER.1.04	10/17/2006	APPLIED	MLB1_NV_011-014)
VER.1.04	10/17/2006	APPLIED	DAV3_NV_042-044)
VER.1.05	10/19/2006	APPLIED	MLB1_NV_016,017,019)
VER.1.05	10/19/2006	APPLIED	MLB1_SIT_016,017,019,020)
VER.1.05	10/19/2006	APPLIED	DAV3_NV_049,052)
VER.1.05	10/19/2006	APPLIED	DAV3_SIT_040,041)
VER.1.06	10/24/2006	APPLIED	DAV3_NV_037)
VER.1.06	10/24/2006	APPLIED	DAV3_SIT_038)
VER.1.06	10/24/2006	APPLIED	MLB1_NV_020-022)
VER.1.07	10/25/2006	APPLIED	MLB1_SIT_001,006,014,018,021,025)
VER.1.08	10/26/2006	APPLIED	DAV3_NV_051)
VER.1.08	10/26/2006	APPLIED	MLB1_NV_015,018)
VER.1.09	10/31/2006	APPLIED	MLB1_SIT_029,030)
VER.1.09	10/31/2006	APPLIED	MLB1_NV_024-026)
VER.1.09	10/31/2006	APPLIED	DAV3_SIT_042,047,061)
VER.1.09	10/31/2006	APPLIED	DAV3_NV_067)

SVT (BASE LOGIC MLB-1 EXT SIT VER.2.20)

VER.2.21	01/27/2007	APPLIED	DAV3_SIT_EC184 20070127
VER.2.21	01/27/2007	APPLIED	DAV3_NV_EC098 20070127
VER.2.21	01/27/2007	APPLIED	DAV3_NV_EC099 20070127
VER.2.21	01/27/2007	APPLIED	DAV3_NV_EC100 20070127
VER.2.21	01/27/2007	APPLIED	DAV3_SVT_EC025 20070127
VER.2.21	01/27/2007	APPLIED	DAV3_SVT_EC027 20070127
VER.2.21	01/27/2007	APPLIED	DAV3_SVT_EC028 20070127
VER.2.21	01/27/2007	APPLIED	DAV3_SVT_EC029 20070127
VER.2.21	01/27/2007	APPLIED	MLB1_SVT_EC006 20070127
VER.2.21	01/27/2007	APPLIED	MLB1_SVT_EC009 20070127
VER.2.22	01/29/2007	APPLIED	DAV3_SVT_EC030 20070129
VER.2.25	01/30/2007	APPLIED	MLB1_SVT_EC013 20070130
VER.2.25	01/30/2007	APPLIED	MLB1_SVT_EC014 20070130
VER.2.25	01/30/2007	APPLIED	MLB1_SVT_EC004,014 20070130
VER.2.25	01/30/2007	APPLIED	DAV3_SVT_EC014,023,030 20070130
VER.2.25	01/30/2007	APPLIED	DAV3_NV_EC098 20070130
VER.2.26	01/30/2007	APPLIED	DAV3_SVT_EC035 20070130

VER.2.27	01/31/2007	APPLIED	MLB1_SVT_EC018
VER.2.27	01/31/2007	APPLIED	MLB1_SVT_EC021

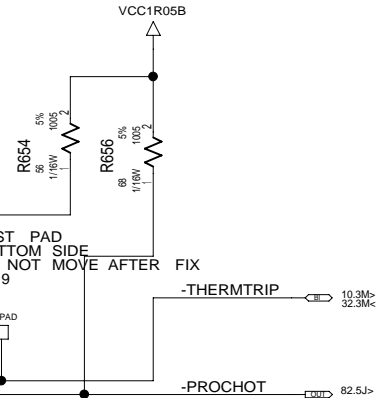
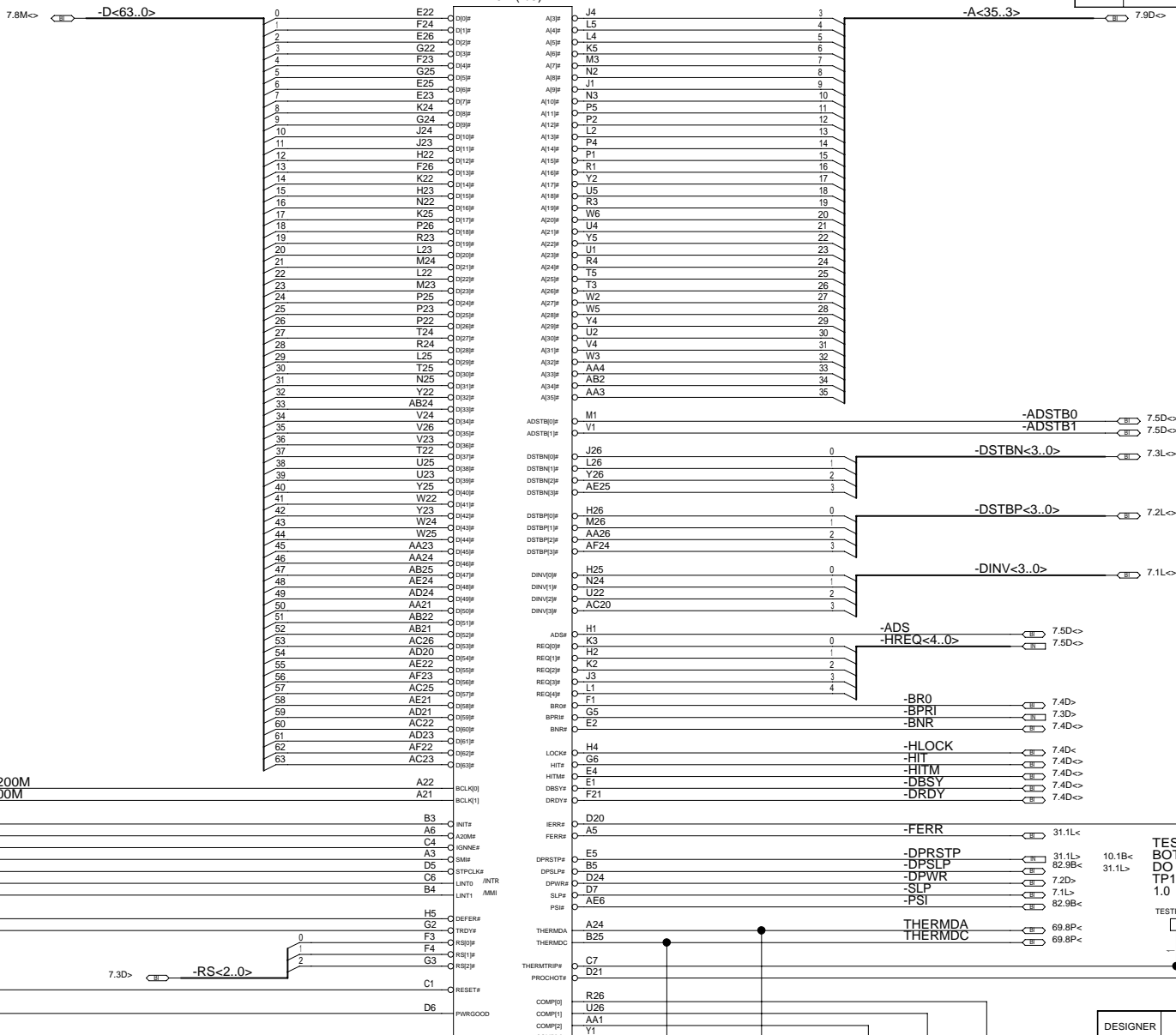
DATE	EC NO.	PART NO.
20061220	L11403	42W7622
		DEVELOPMENT NO.
		Q/M
		2 / 97

DESIGNER	K.Y	06/01/06	PART NO.	42W7622
CHECKED	Y.I	06/01/06	TITLE	MLB-1 SVT
APPROVED	T.S	06/01/06	HISTORY	
CLASS	T.S	06/01/06	LENOVO CONFIDENTIAL	

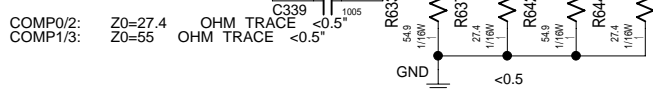
THIS DOCUMENT IS THE PROPERTY OF LENOVO/ITS USE IS AUTHORIZED ONLY FOR RESPONDING TO A REQUEST FOR QUOTATION OR FOR THE PERFORMANCE OF WORK FOR LENOVO/ALL QUESTIONS MUST BE REFERRED TO THE LENOVO PURCHASING DEPARTMENT.

DATE	EC NO.	PART NO.	
20061220	L11403	42W7622	
		DEVELOPMENT NO.	Q/M
			3 / 97

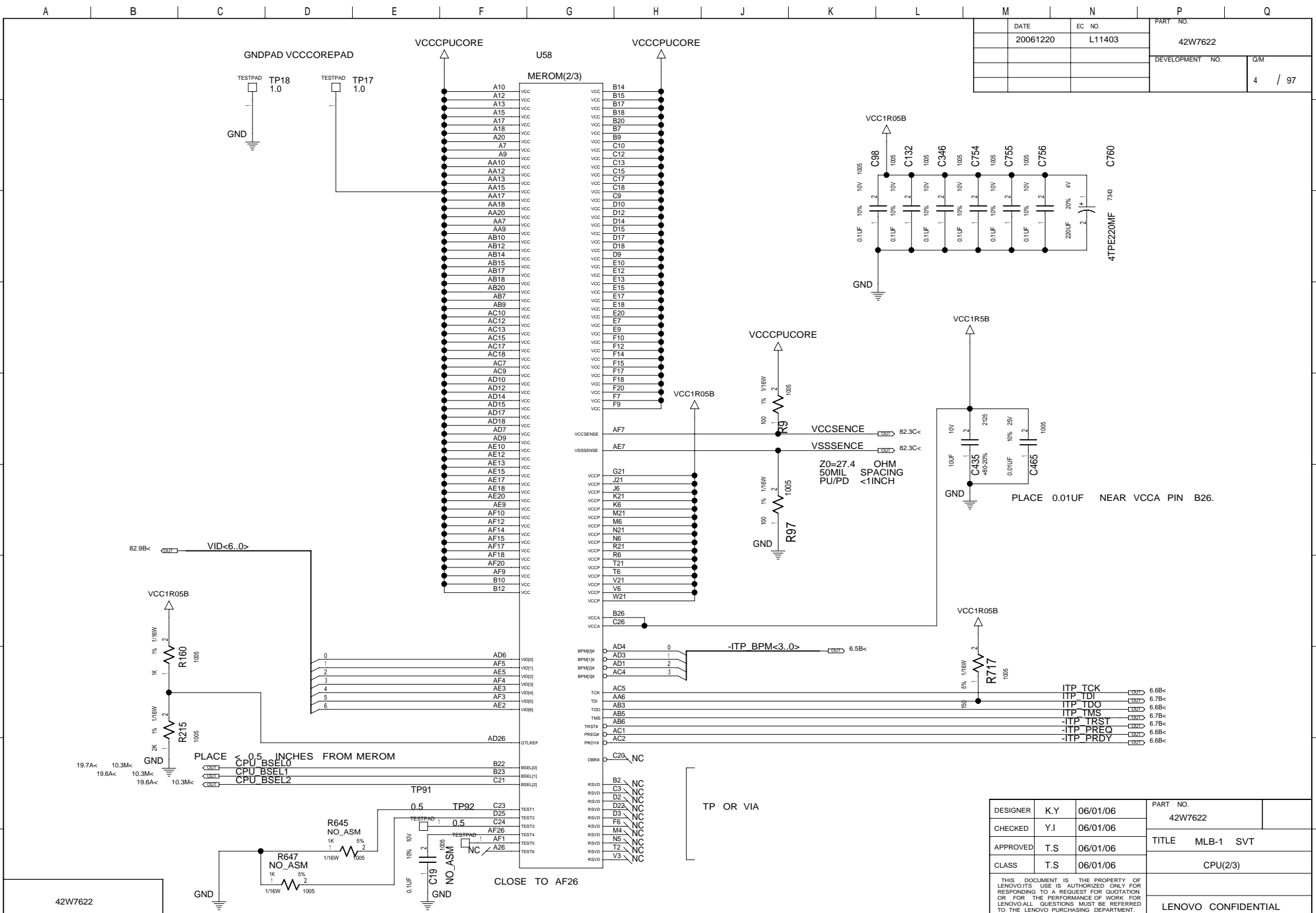
U58
MEROM(1/3)



PLACE NEAR CPU



DESIGNER	K.Y	06/01/06	PART NO.	
CHECKED	Y.I	06/01/06	42W7622	
APPROVED	T.S	06/01/06	TITLE	MLB-1 SVT
CLASS	T.S	06/01/06	CPU(1/3)	
THIS DOCUMENT IS THE PROPERTY OF LENOVO. ITS USE IS AUTHORIZED ONLY FOR RESPONDING TO A REQUEST FOR QUOTATION OR FOR THE PERFORMANCE OF WORK FOR LENOVO. ALL QUESTIONS MUST BE REFERRED TO THE LENOVO PURCHASING DEPARTMENT.				LENOVO CONFIDENTIAL

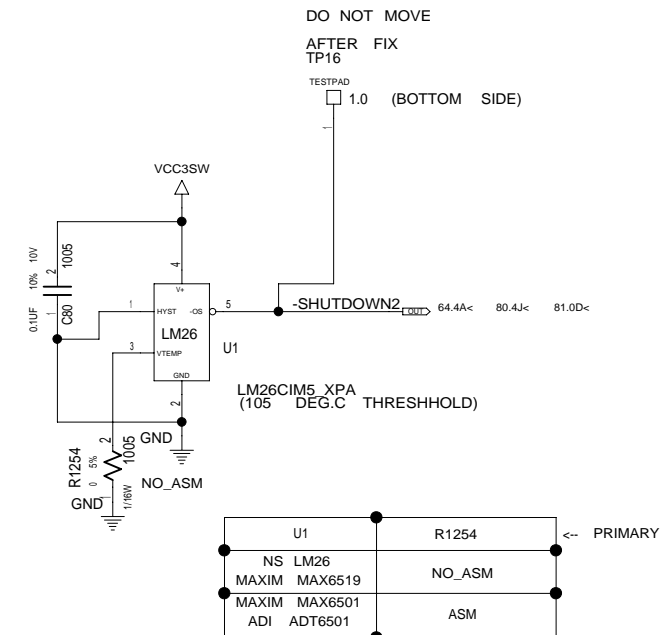
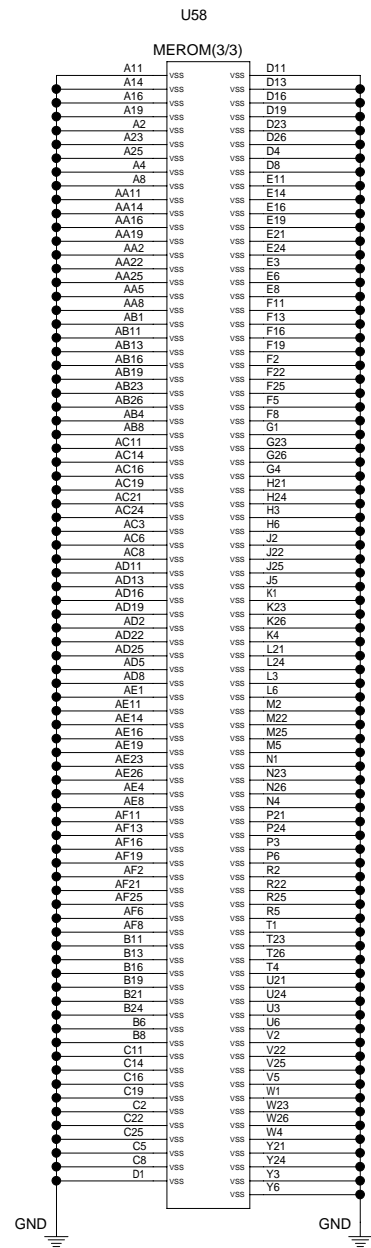


DATE	20061220	EC NO.	L11403	PART NO.	42W7622
				DEVELOPMENT NO.	G/M
					4 / 97

DESIGNER	K.Y	06/01/06	PART NO.	42W7622
CHECKED	Y.I	06/01/06	TITLE MLB-1 SVT	
APPROVED	T.S	06/01/06	CPU(2/3)	
CLASS	T.S	06/01/06	LENOVO CONFIDENTIAL	

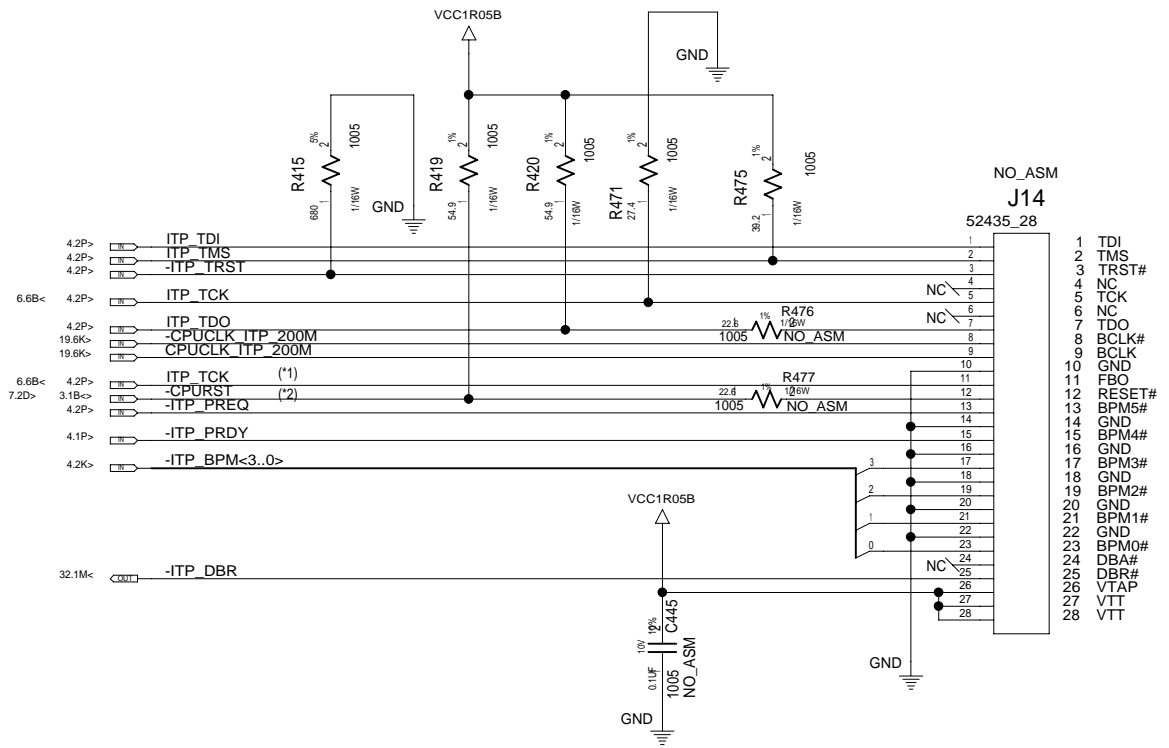
THIS DOCUMENT IS THE PROPERTY OF LENOVO/ITS USE IS AUTHORIZED ONLY FOR RESPONDING TO A REQUEST FOR QUOTATION OR FOR THE PERFORMANCE OF WORK FOR LENOVO/ALL QUESTIONS MUST BE REFERRED TO THE LENOVO PURCHASING DEPARTMENT.

DATE	EC NO.	PART NO.	
20061220	L11403	42W7622	
		DEVELOPMENT NO.	Q/M
			5 / 97



DESIGNER	K.Y	06/01/06	PART NO.	42W7622
CHECKED	Y.I	06/01/06	TITLE	MLB-1 SVT
APPROVED	T.S	06/01/06	CLASS	CPU(3/3)
CLASS	T.S	06/01/06	THIS DOCUMENT IS THE PROPERTY OF LENOVO/ITS USE IS AUTHORIZED ONLY FOR RESPONDING TO A REQUEST FOR QUOTATION OR FOR THE PERFORMANCE OF WORK FOR LENOVO/ALL QUESTIONS MUST BE REFERRED TO THE LENOVO PURCHASING DEPARTMENT.	
				LENOVO CONFIDENTIAL

DATE	EC NO.	PART NO.	
20061220	L11403	42W7622	
		DEVELOPMENT NO.	Q/M
			6 / 97



- 1 TDI
- 2 TMS
- 3 TRST#
- 4 NC
- 5 TCK
- 6 NC
- 7 TDO
- 8 BCLK#
- 9 BCLK
- 10 GND
- 11 FBO
- 12 RESET#
- 13 BPM5#
- 14 GND
- 15 BPM4#
- 16 GND
- 17 BPM3#
- 18 GND
- 19 BPM2#
- 20 GND
- 21 BPM1#
- 22 GND
- 23 BPM0#
- 24 DBA#
- 25 DBR#
- 26 VTAP
- 27 VTT
- 28 VTT

REF DES	FOR ITP700FLEX	FOR ITP--XDP
J14	NO_ASM ---> ASM	NO_ASM ---> ASM
C445	ASM ---> ASM	ASM ---> ASM
R717	ASM(NO CHANGE)	ASM ---> 51 5% ASM
R476	ASM ---> ASM	ASM ---> ASM
R477	ASM ---> ASM	ASM ---> 1K 5% ASM
R415	ASM(NO CHANGE)	ASM(NO CHANGE)
R419	ASM(NO CHANGE)	ASM ---> NO_ASM
R420	ASM(NO CHANGE)	ASM(NO CHANGE)
R471	ASM(NO CHANGE)	ASM ---> 51 5% ASM
R475	ASM(NO CHANGE)	ASM ---> 51 5% ASM

NOTE: C445,R476 AND R477 "ASM" BEFORE SIT, "NO_ASM" FROM SIT.

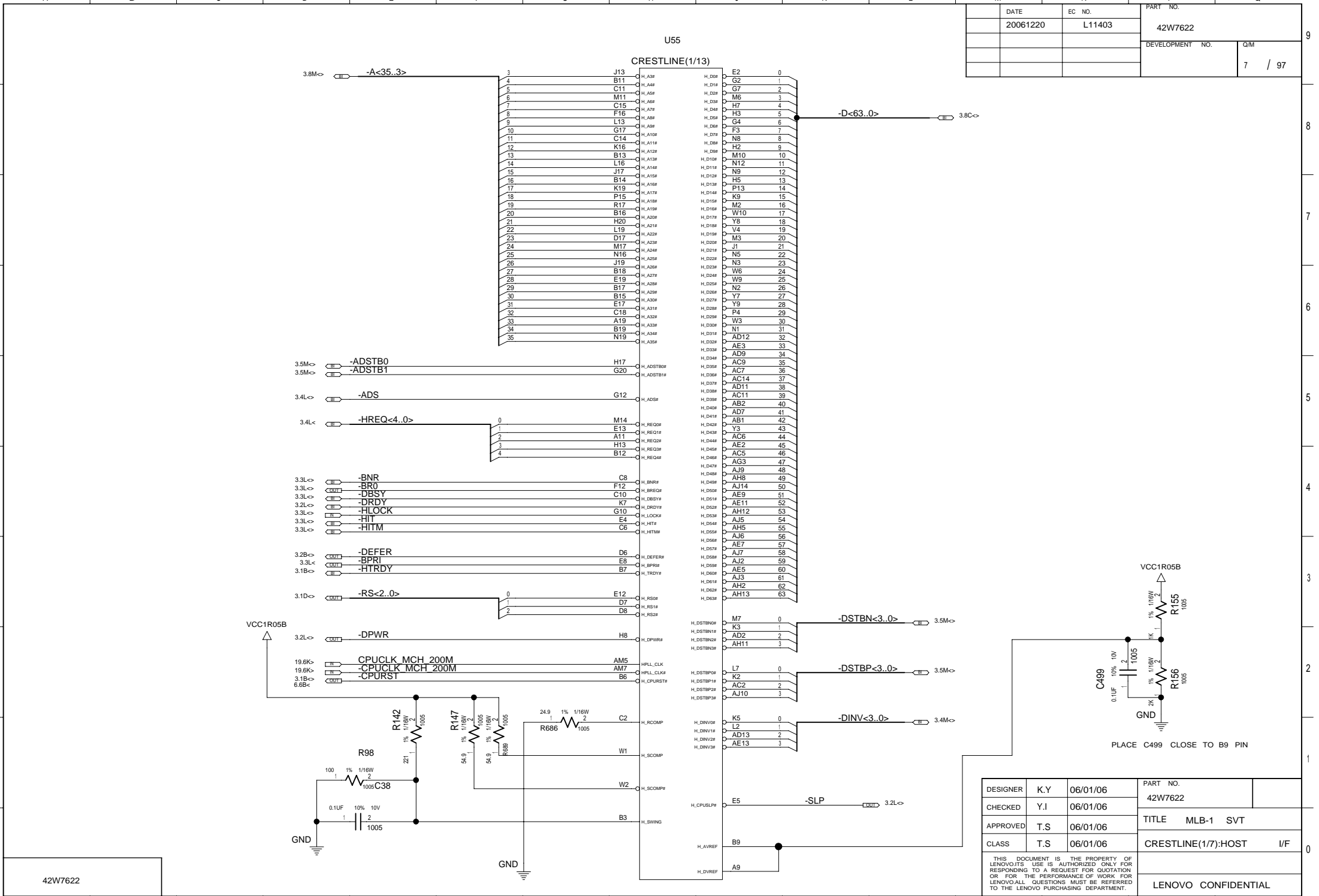
- (*1) TCK SIGNAL IS BRANCHED AT YONAH PIN
- (*2) -CPURST SIGNAL IS BRANCHED AT CRESTLINE PIN

DESIGNER	K.Y	06/01/06	PART NO.	42W7622
CHECKED	Y.I	06/01/06	TITLE	MLB-1 SVT
APPROVED	T.S	06/01/06	CLASS	ITP CONN/LARGE PTH HOLE
			EMI FINGER	
			LENOVO CONFIDENTIAL	

THIS DOCUMENT IS THE PROPERTY OF LENOVO. ITS USE IS AUTHORIZED ONLY FOR RESPONDING TO A REQUEST FOR QUOTATION OR FOR THE PERFORMANCE OF WORK FOR LENOVO. ALL QUESTIONS MUST BE REFERRED TO THE LENOVO PURCHASING DEPARTMENT.

A B C D E F G H J K L M N P Q

DATE	EC NO.	PART NO.
20061220	L11403	42W7622
DEVELOPMENT NO.		Q/M
		7 / 97



DESIGNER	K.Y	06/01/06	PART NO.	42W7622
CHECKED	Y.I	06/01/06	TITLE	MLB-1 SVT
APPROVED	T.S	06/01/06	CRESTLINE(1/7):HOST	I/F
CLASS	T.S	06/01/06	LENOVO CONFIDENTIAL	

THIS DOCUMENT IS THE PROPERTY OF LENOVO/ITS USE IS AUTHORIZED ONLY FOR RESPONDING TO A REQUEST FOR QUOTATION OR FOR THE PERFORMANCE OF WORK FOR LENOVO.ALL QUESTIONS MUST BE REFERRED TO THE LENOVO PURCHASING DEPARTMENT.

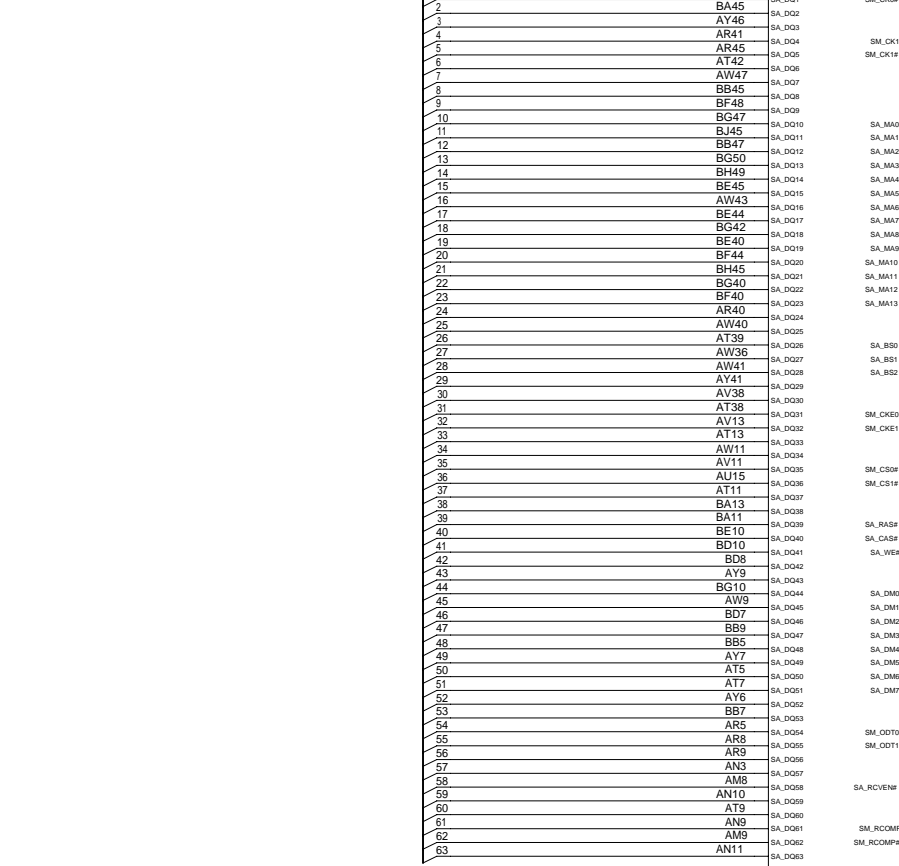
A B C D E F G H J K L M N P Q

DATE	EC NO.	PART NO.
20061220	L11403	42W7622
DEVELOPMENT NO.		Q/M
		8 / 97

U55

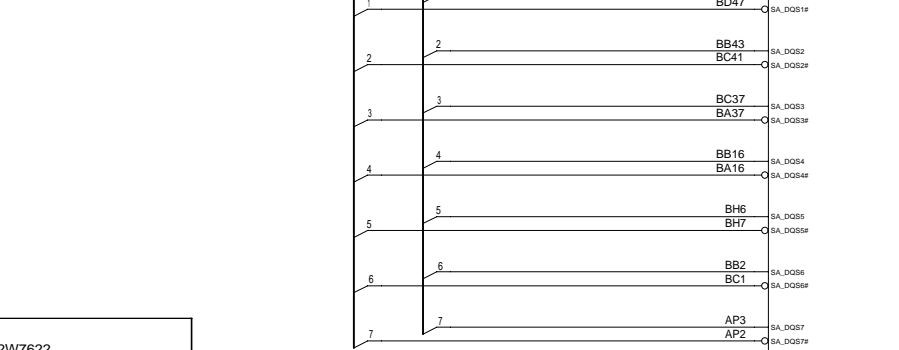
CRESTLINE(2/13)

15.9B<> 15.8L<> M A DQ<63..0>

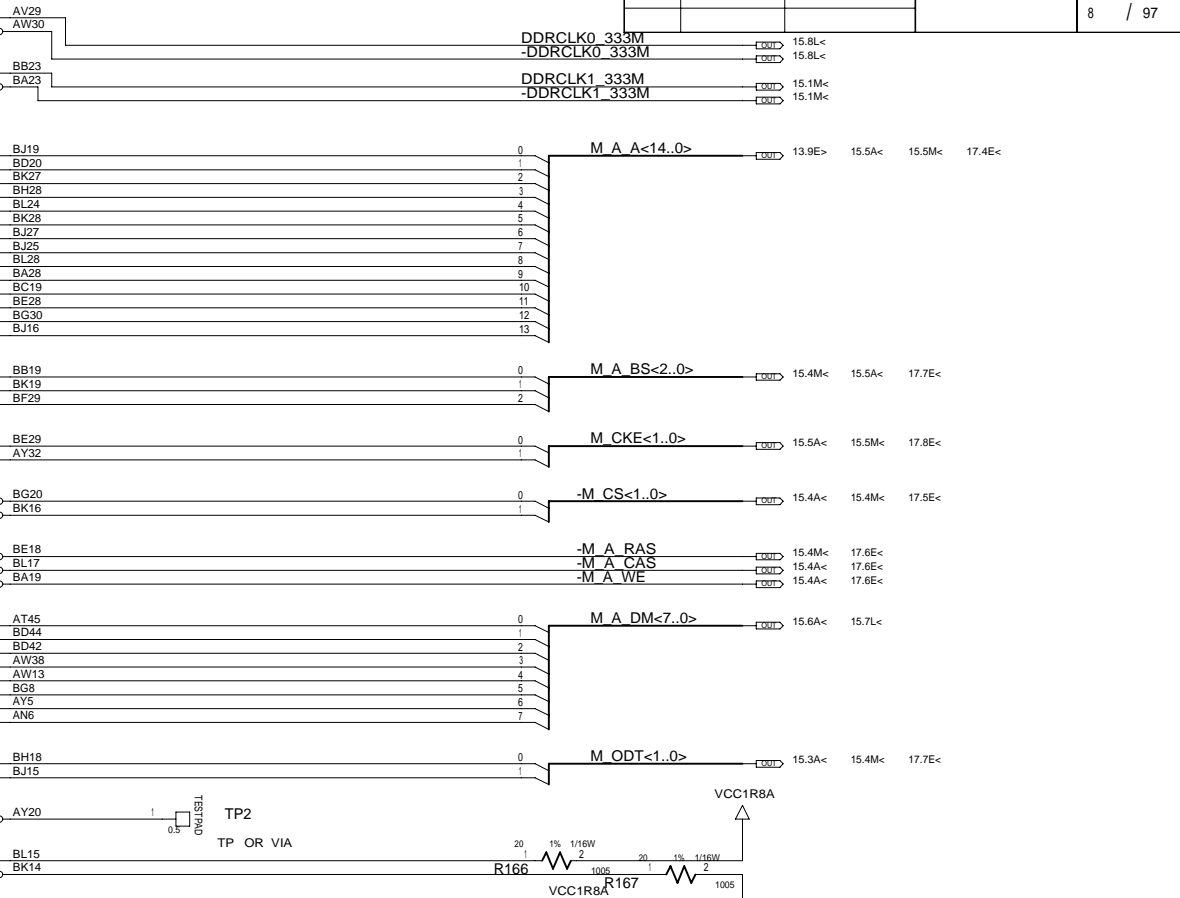


15.7M< 15.9B<> M A DQS<7..0>

15.6M< 15.8B<> -M A DQS<7..0>



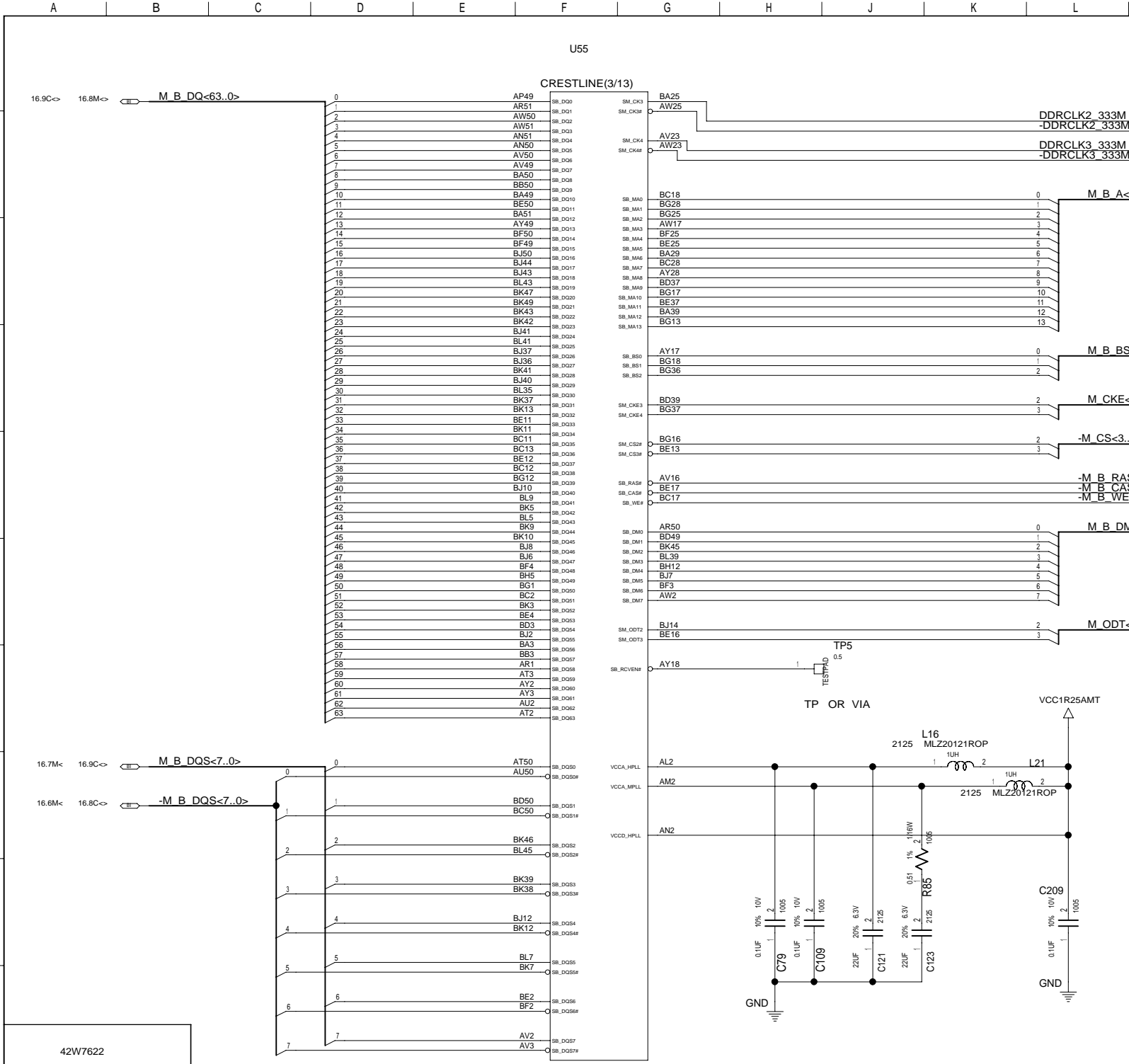
42W7622



DESIGNER	K.Y	06/01/06	PART NO.	42W7622
CHECKED	Y.I	06/01/06	TITLE	MLB-1 SVT
APPROVED	T.S	06/01/06	CRESTLINE(2/7):DDR2-A	
CLASS	T.S	06/01/06	LENOVO CONFIDENTIAL	

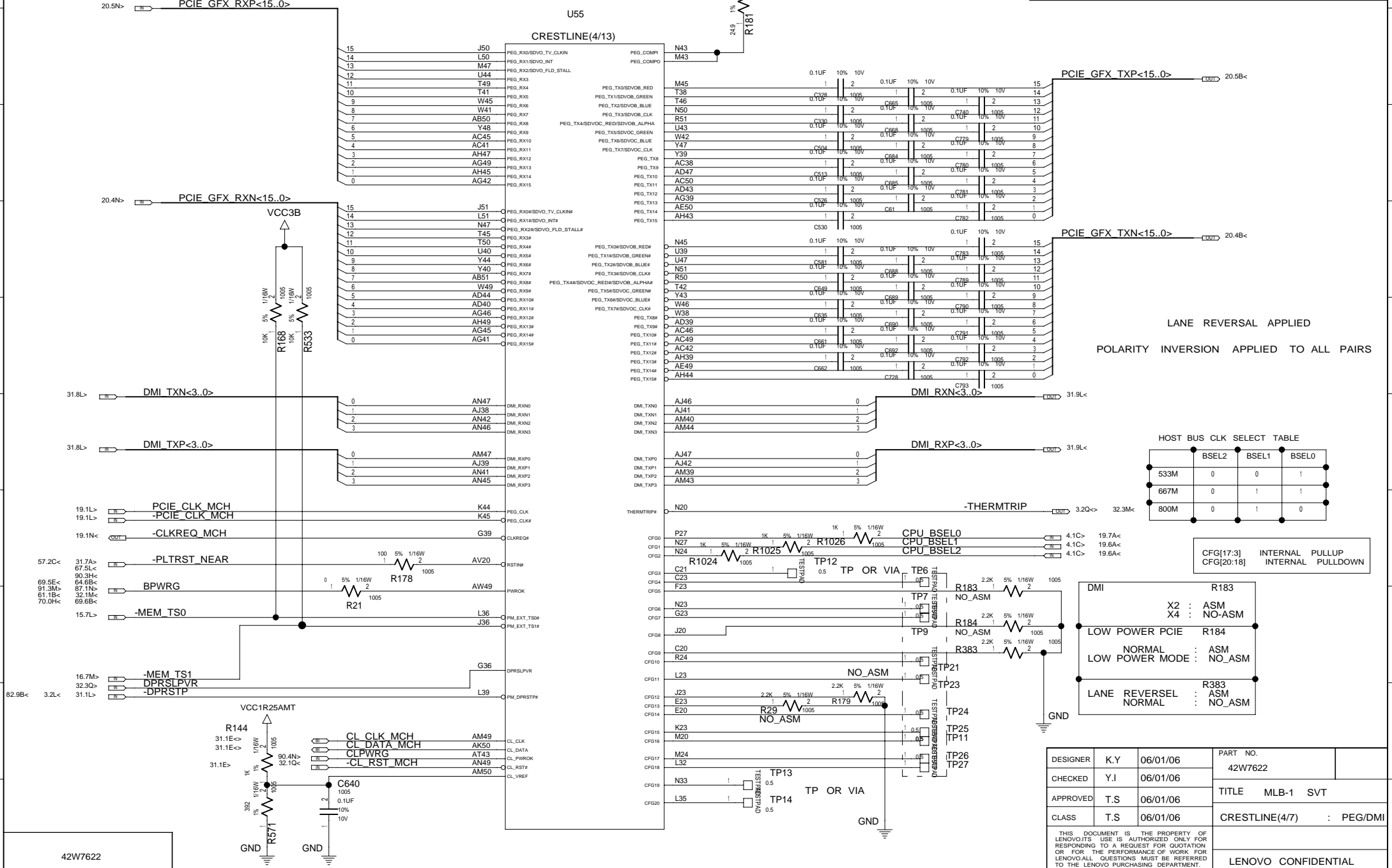
THIS DOCUMENT IS THE PROPERTY OF LENOVO. ITS USE IS AUTHORIZED ONLY FOR RESPONDING TO A REQUEST FOR QUOTATION OR FOR THE PERFORMANCE OF WORK FOR LENOVO. ALL QUESTIONS MUST BE REFERRED TO THE LENOVO PURCHASING DEPARTMENT.

DATE	EC NO.	PART NO.
20061220	L11403	42W7622
DEVELOPMENT NO.		Q/M
		9 / 97



DESIGNER	K.Y	06/01/06	PART NO.	42W7622
CHECKED	Y.I	06/01/06	TITLE	MLB-1 SVT
APPROVED	T.S	06/01/06	CLASS	CRESTLINE(3/7):DDR2-B
THIS DOCUMENT IS THE PROPERTY OF LENOVO.ITS USE IS AUTHORIZED ONLY FOR RESPONDING TO A REQUEST FOR QUOTATION OR FOR THE PERFORMANCE OF WORK FOR LENOVO.ALL QUESTIONS MUST BE REFERRED TO THE LENOVO PURCHASING DEPARTMENT.				LENOVO CONFIDENTIAL

DATE	EC NO.	PART NO.
20061220	L11403	42W7622
DEVELOPMENT NO.		Q/M
		10 / 97



LANE REVERSAL APPLIED
POLARITY INVERSION APPLIED TO ALL PAIRS

HOST BUS CLK SELECT TABLE

	BSEL2	BSEL1	BSEL0
533M	0	0	1
667M	0	1	1
800M	0	1	0

CFG[17:3] INTERNAL PULLUP
CFG[20:18] INTERNAL PULLDOWN

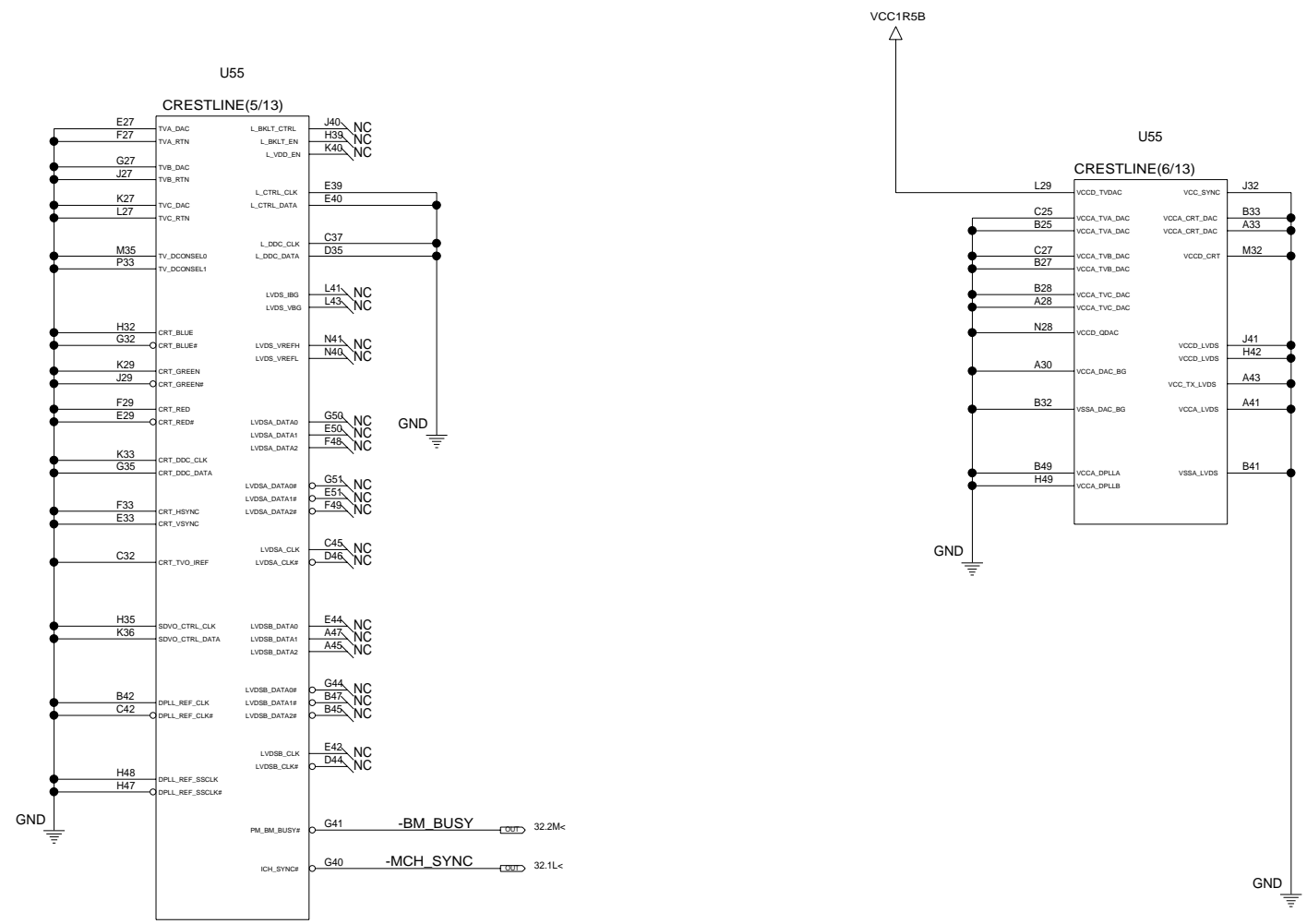
DMII	R183	X2 : ASM X4 : NO-ASM
LOW POWER PCIE	R184	NOASM : ASM LOW POWER MODE : NO_ASM
LANE REVERSEL	R383	NOASM : ASM NORMAL : NO_ASM

DESIGNER	K.Y	06/01/06	PART NO.	42W7622
CHECKED	Y.I	06/01/06	TITLE	MLB-1 SVT
APPROVED	T.S	06/01/06	CRESTLINE(4/7) : PEG/DMI	
CLASS	T.S	06/01/06		

THIS DOCUMENT IS THE PROPERTY OF LENOVO. ITS USE IS AUTHORIZED ONLY FOR RESPONDING TO A REQUEST FOR QUOTATION OR FOR THE PERFORMANCE OF WORK FOR LENOVO. ALL QUESTIONS MUST BE REFERRED TO THE LENOVO PURCHASING DEPARTMENT.

LENOVO CONFIDENTIAL

DATE	EC NO.	PART NO.	
20061220	L11403	42W7622	
		DEVELOPMENT NO.	Q/M
			11 / 97

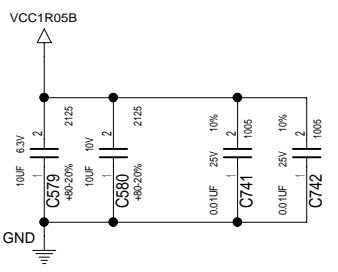
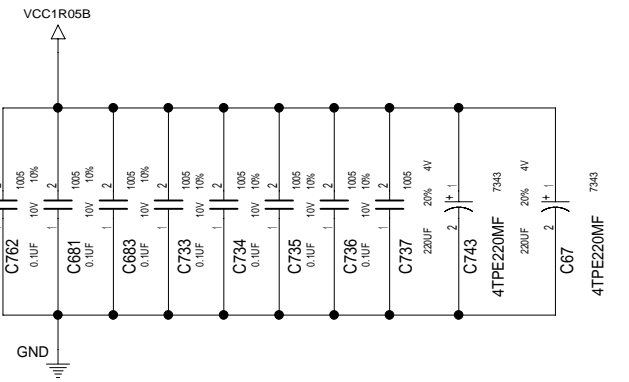
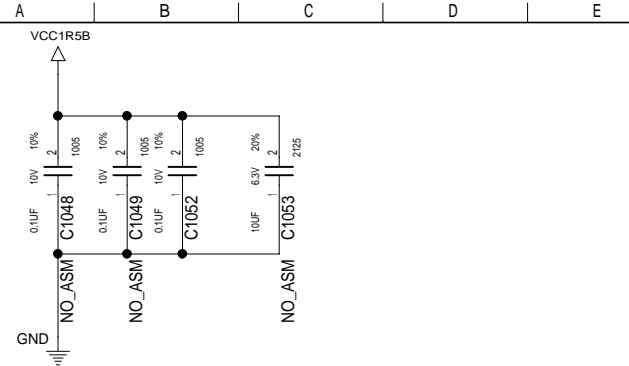


42W7622

DESIGNER	K.Y	06/01/06	PART NO.	42W7622
CHECKED	Y.I	06/01/06	TITLE MLB-1 SVT	
APPROVED	T.S	06/01/06	CRESTLINE(5/7):GRAPHICS	
CLASS	T.S	06/01/06	LENOVO CONFIDENTIAL	

THIS DOCUMENT IS THE PROPERTY OF LENOVO/ITS USE IS AUTHORIZED ONLY FOR RESPONDING TO A REQUEST FOR QUOTATION OR FOR THE PERFORMANCE OF WORK FOR LENOVO/ALL QUESTIONS MUST BE REFERRED TO THE LENOVO PURCHASING DEPARTMENT.

DATE	EC NO.	PART NO.
20061220	L11403	42W7622
DEVELOPMENT NO.		Q/M
		12 / 97

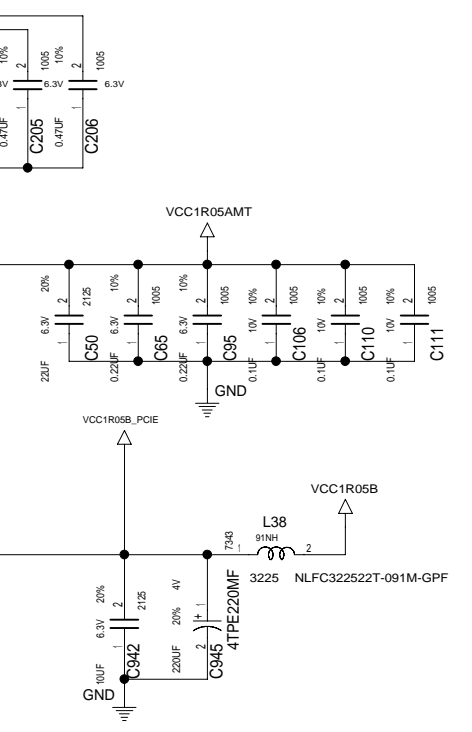


U55

CRESTLINE(7/13)		
AN14	VCC_AXG	VCC_AXG_NCTF
AJ20	VCC_AXG	VCC_AXG_NCTF
AH26	VCC_AXG	VCC_AXG_NCTF
AH24	VCC_AXG	VCC_AXG_NCTF
AH23	VCC_AXG	VCC_AXG_NCTF
AH21	VCC_AXG	VCC_AXG_NCTF
AH20	VCC_AXG	VCC_AXG_NCTF
AF26	VCC_AXG	VCC_AXG_NCTF
AF21	VCC_AXG	VCC_AXG_NCTF
AD31	VCC_AXG	VCC_AXG_NCTF
AD28	VCC_AXG	VCC_AXG_NCTF
AD24	VCC_AXG	VCC_AXG_NCTF
AD23	VCC_AXG	VCC_AXG_NCTF
AD20	VCC_AXG	VCC_AXG_NCTF
AC29	VCC_AXG	VCC_AXG_NCTF
AC28	VCC_AXG	VCC_AXG_NCTF
AC26	VCC_AXG	VCC_AXG_NCTF
AC24	VCC_AXG	VCC_AXG_NCTF
AC23	VCC_AXG	VCC_AXG_NCTF
AC21	VCC_AXG	VCC_AXG_NCTF
AC20	VCC_AXG	VCC_AXG_NCTF
AB29	VCC_AXG	VCC_AXG_NCTF
AB24	VCC_AXG	VCC_AXG_NCTF
AB21	VCC_AXG	VCC_AXG_NCTF
AA31	VCC_AXG	VCC_AXG_NCTF
AA28	VCC_AXG	VCC_AXG_NCTF
AA26	VCC_AXG	VCC_AXG_NCTF
AA23	VCC_AXG	VCC_AXG_NCTF
AA20	VCC_AXG	VCC_AXG_NCTF
Y12	VCC_AXG	VCC_AXG_NCTF
W14	VCC_AXG	VCC_AXG_NCTF
W13	VCC_AXG	VCC_AXG_NCTF
T14	VCC_AXG	VCC_AXG_NCTF
R20	VCC_AXG	VCC_AXG_NCTF
R25	GFX_VDD	
R24	GFX_VDD	
R23	GFX_VDD	
R22	GFX_VDD	
R21	GFX_VDD	
R20	GFX_VDD	
NC	GFX_VR_EN	
NC		

U55

CRESTLINE(8/13)		
AT35	VCC	VTT
AT34	VCC	VTT
AK32	VCC	VTT
AJ31	VCC	VTT
AJ28	VCC	VTT
AH32	VCC	VTT
AH31	VCC	VTT
AH29	VCC	VTT
AH28	VCC	VTT
AF32	VCC	VTT
AC32	VCC	VTT
AC31	VCC	VTT
R30	VCC	VTT
AR36	VCC_NCTF	VTT
AR35	VCC_NCTF	VTT
AP36	VCC_NCTF	VTT
AP35	VCC_NCTF	VTT
AM35	VCC_NCTF	VTT
AL35	VCC_NCTF	VTT
AL33	VCC_NCTF	VTT
AK37	VCC_NCTF	VTT
AK36	VCC_NCTF	VTT
AK35	VCC_NCTF	VTT
AK33	VCC_NCTF	VTT
AK32	VCC_NCTF	VTT
AJ36	VCC_NCTF	VTT
AJ35	VCC_NCTF	VTT
AJ33	VCC_NCTF	VTT
AH37	VCC_NCTF	VTT
AH36	VCC_NCTF	VTT
AH35	VCC_NCTF	VTT
AH33	VCC_NCTF	VTT
AF36	VCC_NCTF	VTT
AF33	VCC_NCTF	VTT
AD36	VCC_NCTF	VTT
AD35	VCC_NCTF	VTT
AD33	VCC_NCTF	VTT
AC36	VCC_NCTF	VTT
AC35	VCC_NCTF	VTT
AC33	VCC_NCTF	VTT
AB37	VCC_NCTF	VTT
AB36	VCC_NCTF	VTT
AB33	VCC_NCTF	VTT
AA36	VCC_NCTF	VTT
AA35	VCC_NCTF	VTT
AA33	VCC_NCTF	VTT
Y37	VCC_NCTF	VTT
Y36	VCC_NCTF	VTT
Y35	VCC_NCTF	VTT
Y33	VCC_NCTF	VTT
Y32	VCC_NCTF	VTT
Y37	VCC_NCTF	VTT
V36	VCC_NCTF	VTT
V33	VCC_NCTF	VTT
V32	VCC_NCTF	VTT
U36	VCC_NCTF	VTT
U35	VCC_NCTF	VTT
U33	VCC_NCTF	VTT
U32	VCC_NCTF	VTT
U31	VCC_NCTF	VTT
U29	VCC_NCTF	VTT
T35	VCC_PEG	VTT
T34	VCC_PEG	VTT
T30	VCC_NCTF	VTT
U13	VTT	
U12	VTT	
U11	VTT	
U9	VTT	
U8	VTT	
U7	VTT	
U5	VTT	
U3	VTT	
U1	VTT	
T13	VTT	
T11	VTT	
T10	VTT	
T9	VTT	
T7	VTT	
T6	VTT	
T5	VTT	
T3	VTT	
T2	VTT	
R3	VTT	
R2	VTT	
R1	VTT	
A7	VTTFL1	
F2	VTTFL2	
AH1	VTTFL3	
AT33	VCC_AXM	
AT31	VCC_AXM	
AK29	VCC_AXM	
AK24	VCC_AXM	
AK23	VCC_AXM	
AJ26	VCC_AXM	
AJ23	VCC_AXM	
AR32	VCC_AXM_NCTF	
AR31	VCC_AXM_NCTF	
AP33	VCC_AXM_NCTF	
AP32	VCC_AXM_NCTF	
AP29	VCC_AXM_NCTF	
AM33	VCC_AXM_NCTF	
AM32	VCC_AXM_NCTF	
AM31	VCC_AXM_NCTF	
AM29	VCC_AXM_NCTF	
AM28	VCC_AXM_NCTF	
AM26	VCC_AXM_NCTF	
AL32	VCC_AXM_NCTF	
AL31	VCC_AXM_NCTF	
AL29	VCC_AXM_NCTF	
AL28	VCC_AXM_NCTF	
AL26	VCC_AXM_NCTF	
AL24	VCC_AXM_NCTF	
AD51	VCC_PEG	
W51	VCC_PEG	
V50	VCC_PEG	
V49	VCC_PEG	



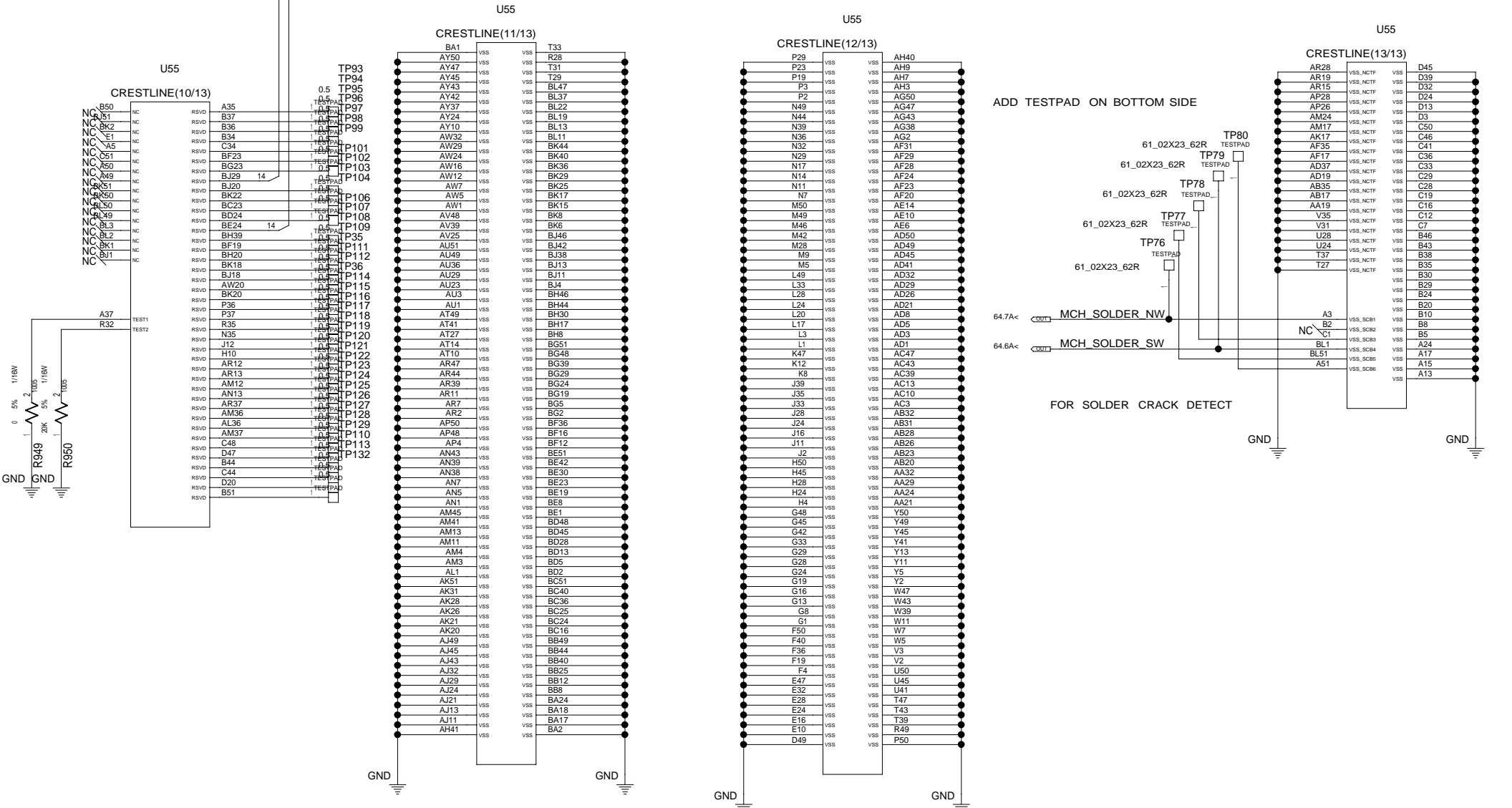
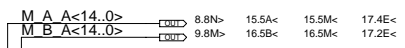
DESIGNER	K.Y	06/01/06	PART NO.	42W7622
CHECKED	Y.I	06/01/06	TITLE	MLB-1 SVT
APPROVED	T.S	06/01/06	CRESTLINE(6/7) :VCC	
CLASS	T.S	06/01/06	LENOVO CONFIDENTIAL	

THIS DOCUMENT IS THE PROPERTY OF LENOVO/ITS USE IS AUTHORIZED ONLY FOR RESPONDING TO A REQUEST FOR QUOTATION OR FOR THE PERFORMANCE OF WORK FOR LENOVO/ALL QUESTIONS MUST BE REFERRED TO THE LENOVO PURCHASING DEPARTMENT.

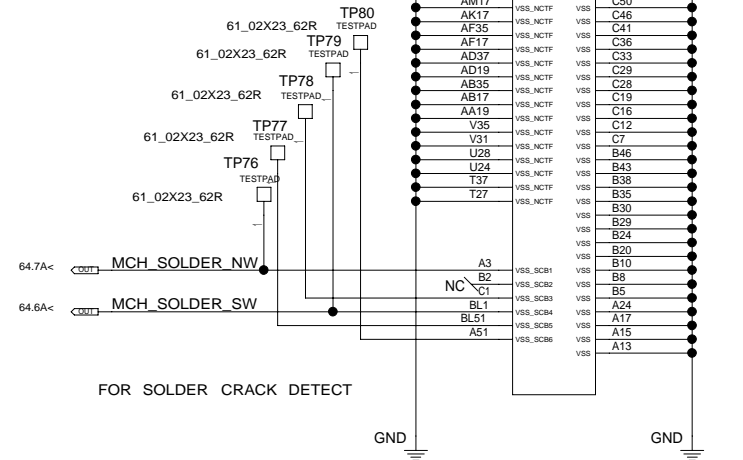
A B C D E F G H J K L M N P Q

DATE	EC NO.	PART NO.
20061220	L11403	42W7622
DEVELOPMENT NO.		Q/M
		13 / 97

NOTE:M_A_A14 AND M_B_A14 SHOULD BE TREATED SAME AS OTHER MEMORY ADDRESS LINES



ADD TESTPAD ON BOTTOM SIDE



FOR SOLDER CRACK DETECT

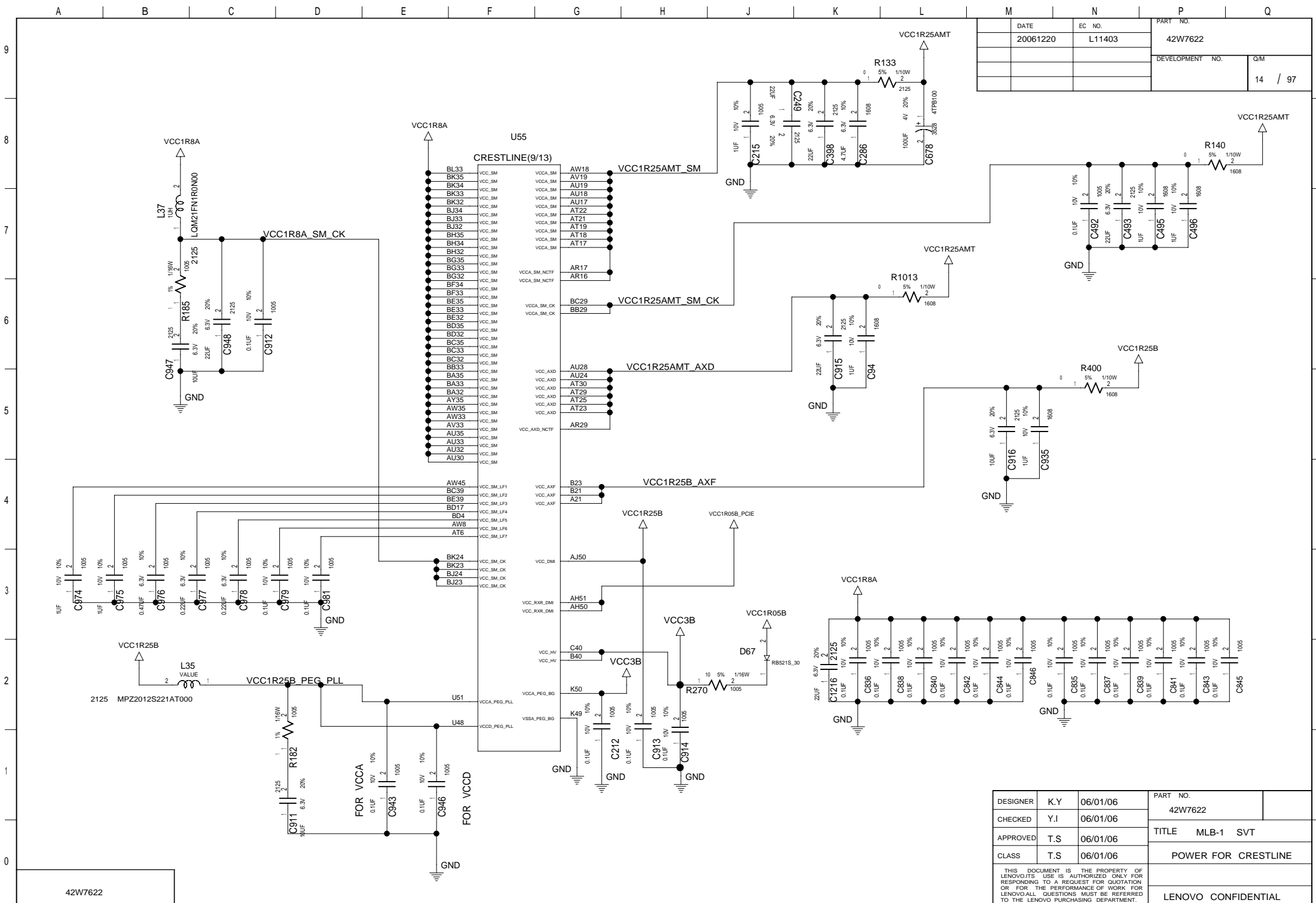
42W7622

DESIGNER	K.Y	06/01/06	PART NO.	42W7622
CHECKED	Y.I	06/01/06	TITLE	MLB-1 SVT
APPROVED	T.S	06/01/06	CALISTOGA(7/7):VCC/GND(NCTF)	
CLASS	T.S	06/01/06		

THIS DOCUMENT IS THE PROPERTY OF LENOVO/IVTS USE IS AUTHORIZED ONLY FOR RESPONDING TO A REQUEST FOR QUOTATION OR FOR THE PERFORMANCE OF WORK FOR LENOVO/ALL QUESTIONS MUST BE REFERRED TO THE LENOVO PURCHASING DEPARTMENT.

LENOVO CONFIDENTIAL

A B C D E F G H J K L M N P Q

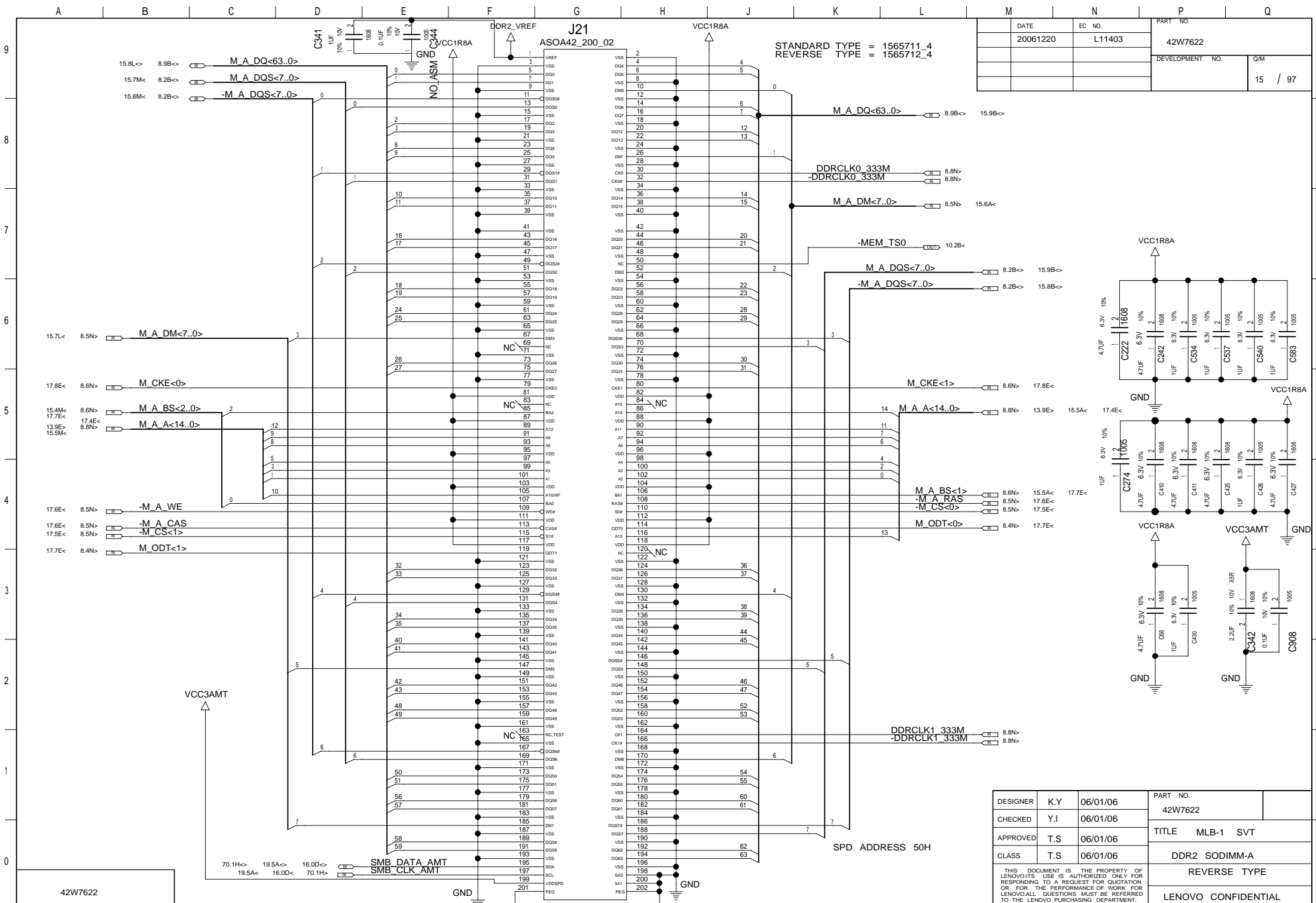


DATE	EC NO.	PART NO.
20061220	L11403	42W7622
DEVELOPMENT NO.		Q/M
		14 / 97

DESIGNER	K.Y	06/01/06	PART NO.	42W7622
CHECKED	Y.I	06/01/06	TITLE	MLB-1 SVT
APPROVED	T.S	06/01/06	POWER FOR CRESTLINE	
CLASS	T.S	06/01/06		

THIS DOCUMENT IS THE PROPERTY OF LENOVO/ITS USE IS AUTHORIZED ONLY FOR RESPONDING TO A REQUEST FOR QUOTATION OR FOR THE PERFORMANCE OF WORK FOR LENOVO. ALL QUESTIONS MUST BE REFERRED TO THE LENOVO PURCHASING DEPARTMENT.

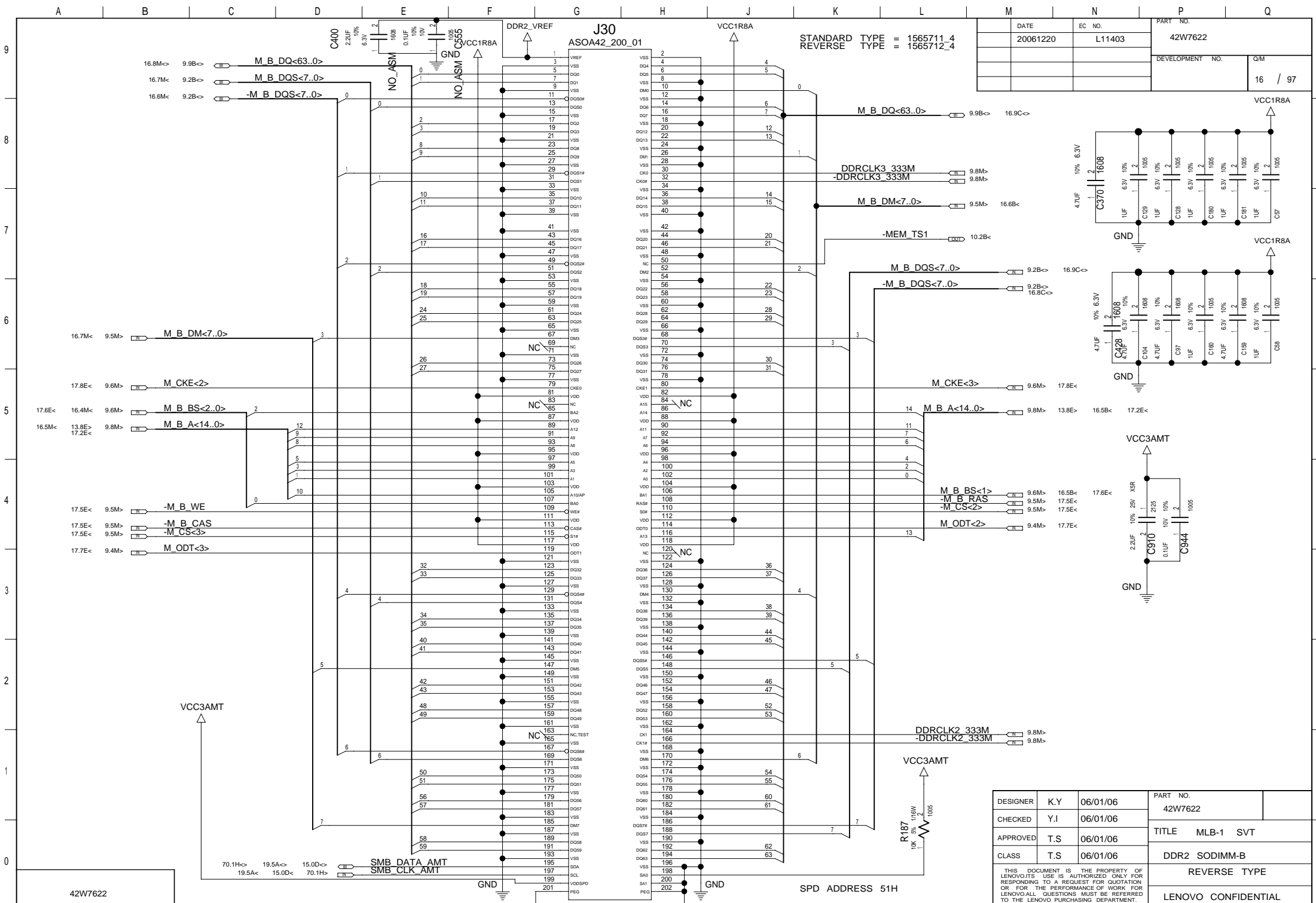
LENOVO CONFIDENTIAL



DATE	EC NO.	PART NO.
20061220	L11403	42W7622
DEVELOPMENT NO.		Q/M
		15 / 97

DESIGNER	K.Y	06/01/06	PART NO.	42W7622
CHECKED	Y.I	06/01/06	TITLE	MLB-1 SVT
APPROVED	T.S	06/01/06	CLASS	DDR2 SODIMM-A
CLASS	T.S	06/01/06	REVERSE TYPE	
LENOVO CONFIDENTIAL				

THIS DOCUMENT IS THE PROPERTY OF LENOVO/ITS USE IS AUTHORIZED ONLY FOR RESPONDING TO A REQUEST FOR QUOTATION OR FOR THE PERFORMANCE OF WORK FOR LENOVO. ALL QUESTIONS MUST BE REFERRED TO THE LENOVO PURCHASING DEPARTMENT.



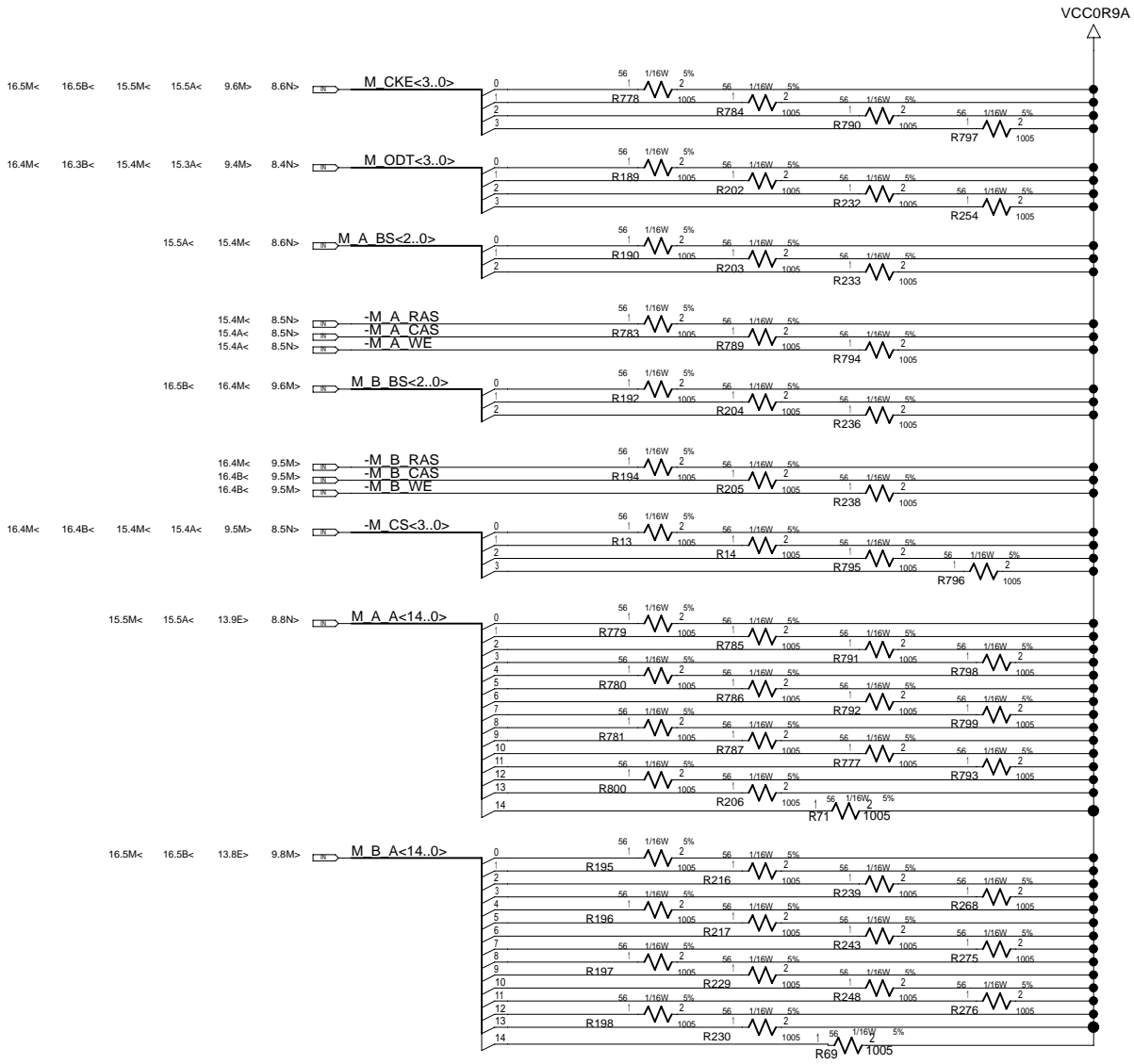
DATE	EC NO.	PART NO.
20061220	L11403	42W7622
DEVELOPMENT NO.		Q/M
		16 / 97

DESIGNER	K.Y	06/01/06	PART NO.	42W7622
CHECKED	Y.I	06/01/06	TITLE	MLB-1 SVT
APPROVED	T.S	06/01/06	CLASS	DDR2 SODIMM-B
THIS DOCUMENT IS THE PROPERTY OF LENOVO/ITS USE IS AUTHORIZED ONLY FOR RESPONDING TO A REQUEST FOR QUOTATION OR FOR THE PERFORMANCE OF WORK FOR LENOVO. ALL QUESTIONS MUST BE REFERRED TO THE LENOVO PURCHASING DEPARTMENT.				REVERSE TYPE
				LENOVO CONFIDENTIAL

42W7622

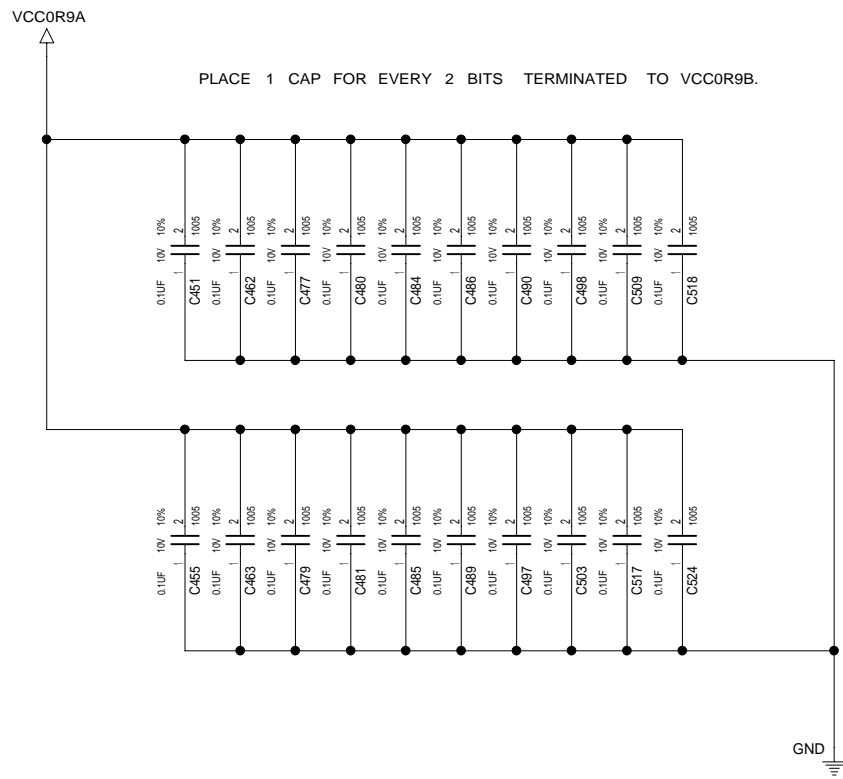
SPD ADDRESS 51H

DATE	EC NO.	PART NO.	
20061220	L11403	42W7622	
		DEVELOPMENT NO.	Q/M
			17 / 97



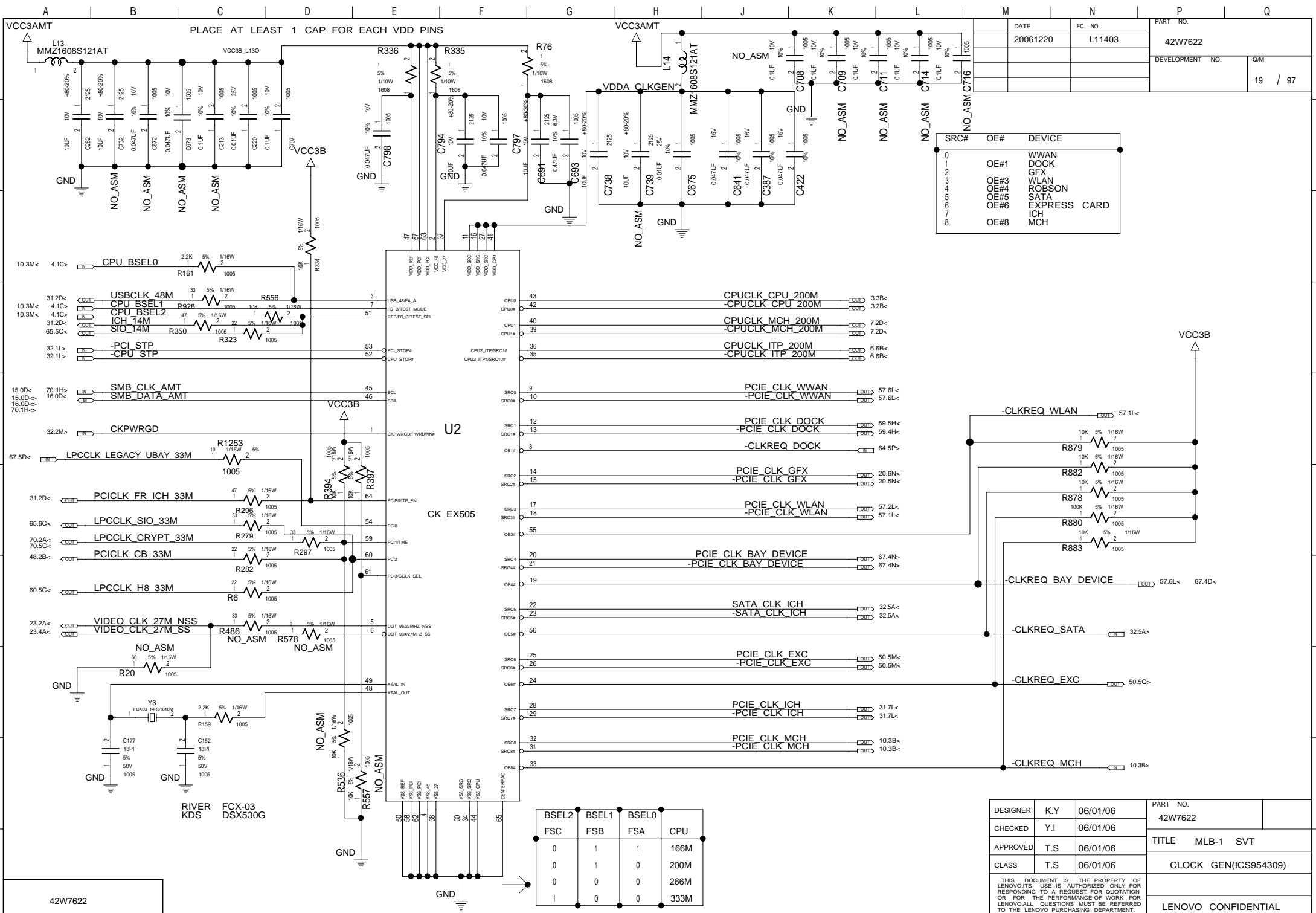
DESIGNER	K.Y	06/01/06	PART NO.	42W7622
CHECKED	Y.I	06/01/06	TITLE MLB-1 SVT	
APPROVED	T.S	06/01/06		
CLASS	T.S	06/01/06	DDR-2 TERMINATION	
THIS DOCUMENT IS THE PROPERTY OF LENOVO/ITS USE IS AUTHORIZED ONLY FOR RESPONDING TO A REQUEST FOR QUOTATION OR FOR THE PERFORMANCE OF WORK FOR LENOVO. ALL QUESTIONS MUST BE REFERRED TO THE LENOVO PURCHASING DEPARTMENT.				
LENOVO CONFIDENTIAL				

DATE	EC NO.	PART NO.	
20061220	L11403	42W7622	
		DEVELOPMENT NO.	Q/M
			18 / 97



42W7622

DESIGNER	K.Y	06/01/06	PART NO.	42W7622
CHECKED	Y.I	06/01/06	TITLE MLB-1 SVT	
APPROVED	T.S	06/01/06	DDR-2 DECOUPLING	
CLASS	T.S	06/01/06	LENOVO CONFIDENTIAL	
<small>THIS DOCUMENT IS THE PROPERTY OF LENOVO/TS. USE IS AUTHORIZED ONLY FOR RESPONDING TO A REQUEST FOR QUOTATION OR FOR THE PERFORMANCE OF WORK FOR LENOVO. ALL QUESTIONS MUST BE REFERRED TO THE LENOVO PURCHASING DEPARTMENT.</small>				

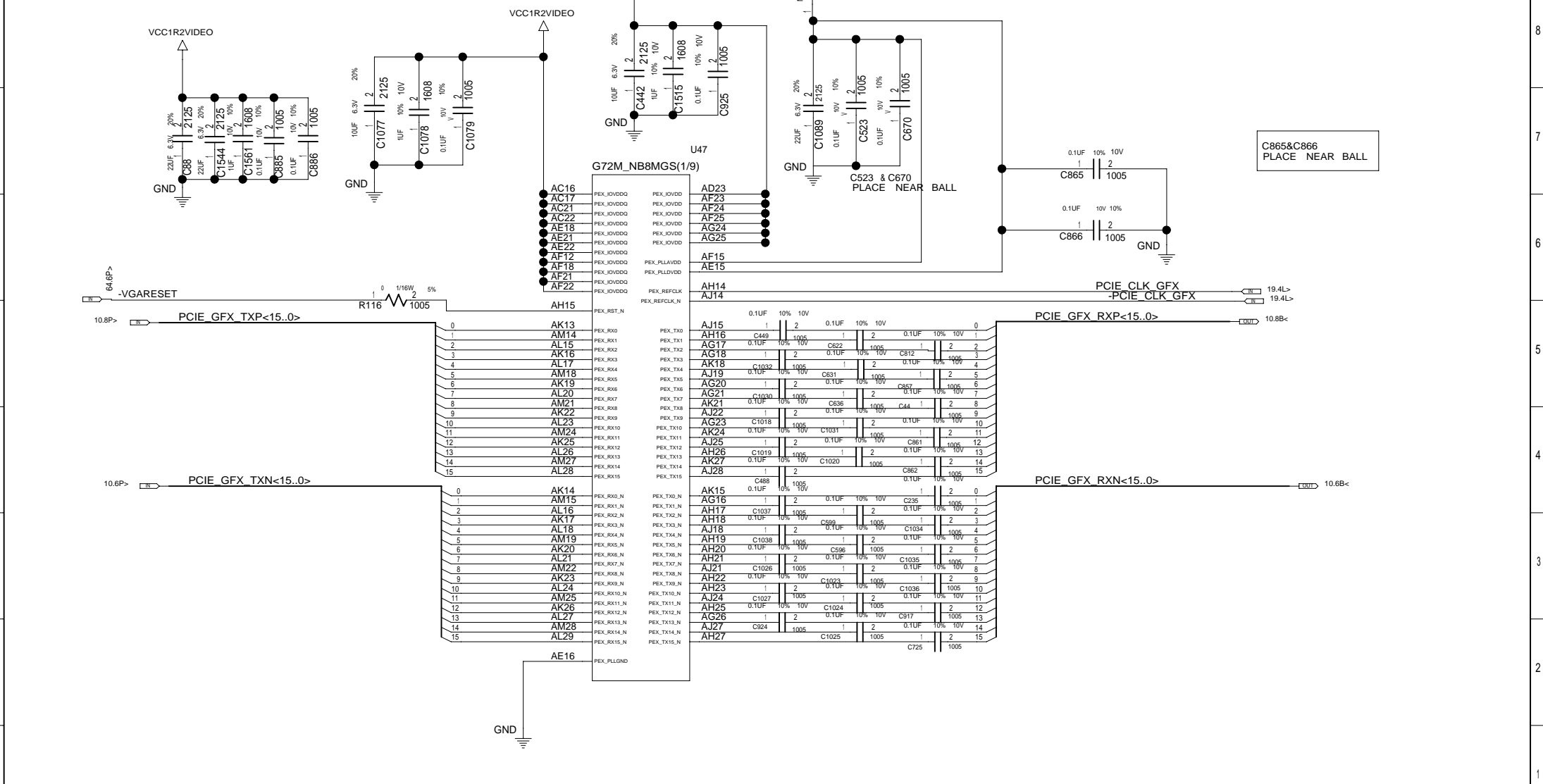


DATE	20061220	EC NO.	L11403	PART NO.	42W7622
DEVELOPMENT NO.		Q/M	19 / 97		

SRC#	OE#	DEVICE
0	OE#1	WWAN DOCK GFX
1	OE#3	WLAN ROBSON
2	OE#4	SATA EXPRESS CARD
3	OE#5	ICH
4	OE#6	MCH
5	OE#8	

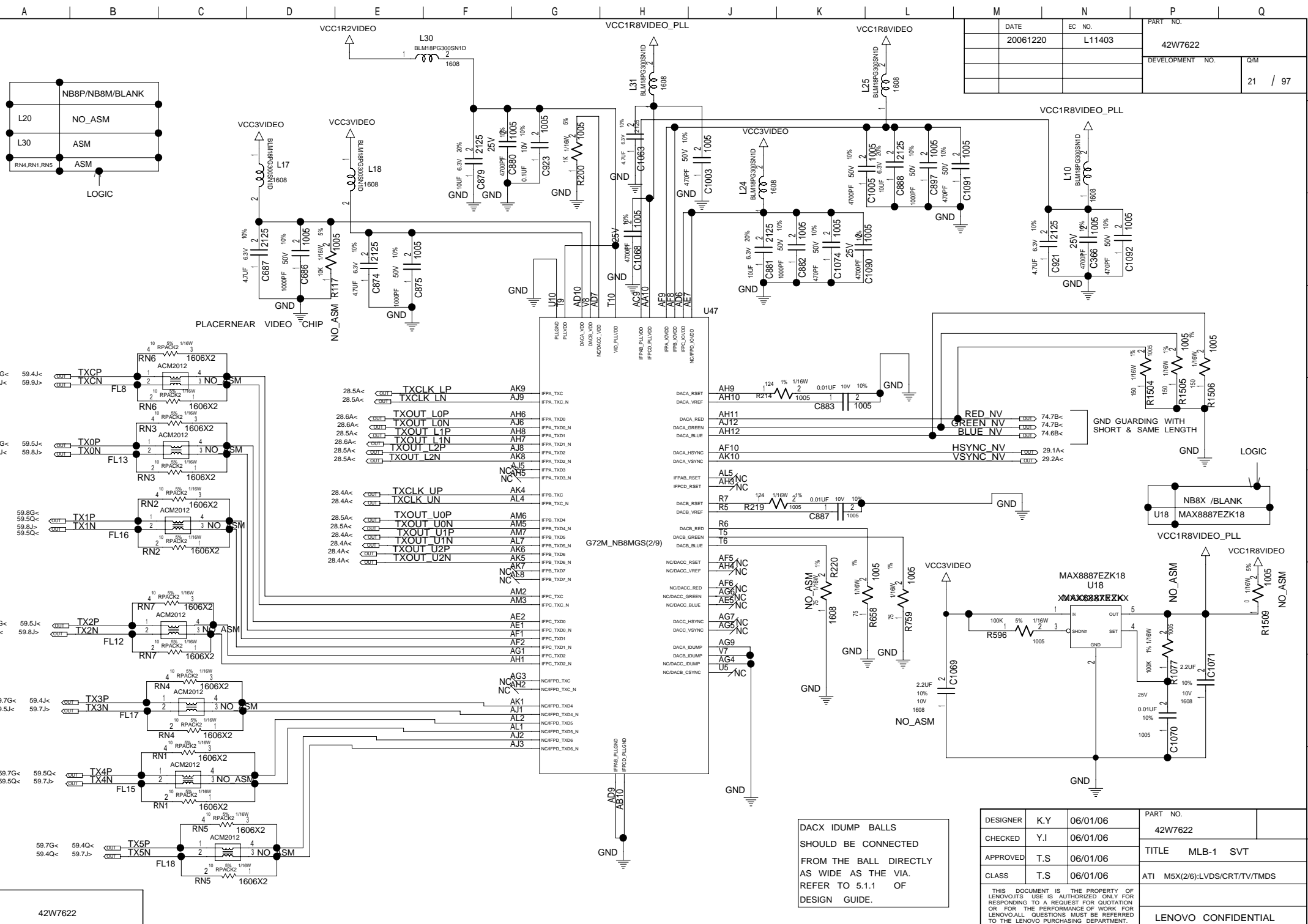
DESIGNER	K.Y	06/01/06	PART NO.	42W7622
CHECKED	Y.I	06/01/06	TITLE	MLB-1 SVT
APPROVED	T.S	06/01/06	CLASS	CLOCK GEN(ICS954309)
THIS DOCUMENT IS THE PROPERTY OF LENOVO. USE IS AUTHORIZED ONLY FOR RESPONDING TO A REQUEST FOR QUOTATION OR FOR THE PERFORMANCE OF WORK FOR LENOVO. ALL QUESTIONS MUST BE REFERRED TO THE LENOVO PURCHASING DEPARTMENT.				LENOVO CONFIDENTIAL

DATE	20061220	EC NO.	L11403	PART NO.	42W7622
				DEVELOPMENT NO.	G/M
				20 / 97	



C865&C866
PLACE NEAR BALL

DESIGNER	K.Y	06/01/06	PART NO.	42W7622
CHECKED	Y.I	06/01/06	TITLE	MLB-1 SVT
APPROVED	T.S	06/01/06	CLASS	ATI M5X(1/6) : PEG I/F
				LENOVO CONFIDENTIAL

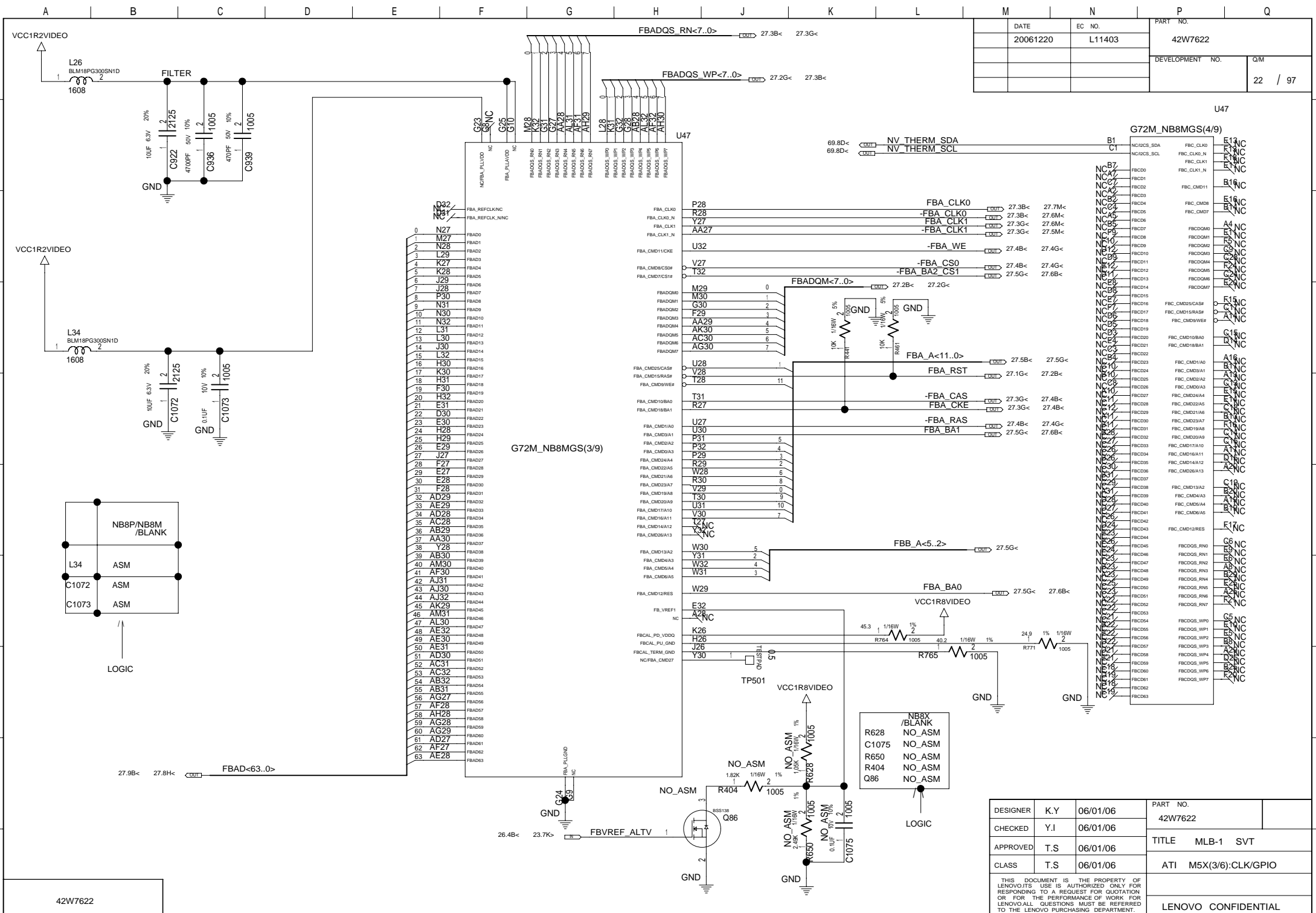


DATE	EC NO.	PART NO.
20061220	L11403	42W7622
DEVELOPMENT NO.		Q/M
		21 / 97

GND GUARDING WITH SHORT & SAME LENGTH

DACX IDUMP BALLS SHOULD BE CONNECTED FROM THE BALL DIRECTLY AS WIDE AS THE VIA. REFER TO 5.1.1 OF DESIGN GUIDE.

DESIGNER	K.Y	06/01/06	PART NO.	42W7622
CHECKED	Y.I	06/01/06	TITLE	MLB-1 SVT
APPROVED	T.S	06/01/06	ATI M5X(2/6):LVDS/CRT/TV/TMDS	
CLASS	T.S	06/01/06	LENOVO CONFIDENTIAL	
THIS DOCUMENT IS THE PROPERTY OF LENOVO/ITS USE IS AUTHORIZED ONLY FOR RESPONDING TO A REQUEST FOR QUOTATION OR FOR THE PERFORMANCE OF WORK FOR LENOVO/ALL QUESTIONS MUST BE REFERRED TO THE LENOVO PURCHASING DEPARTMENT.				

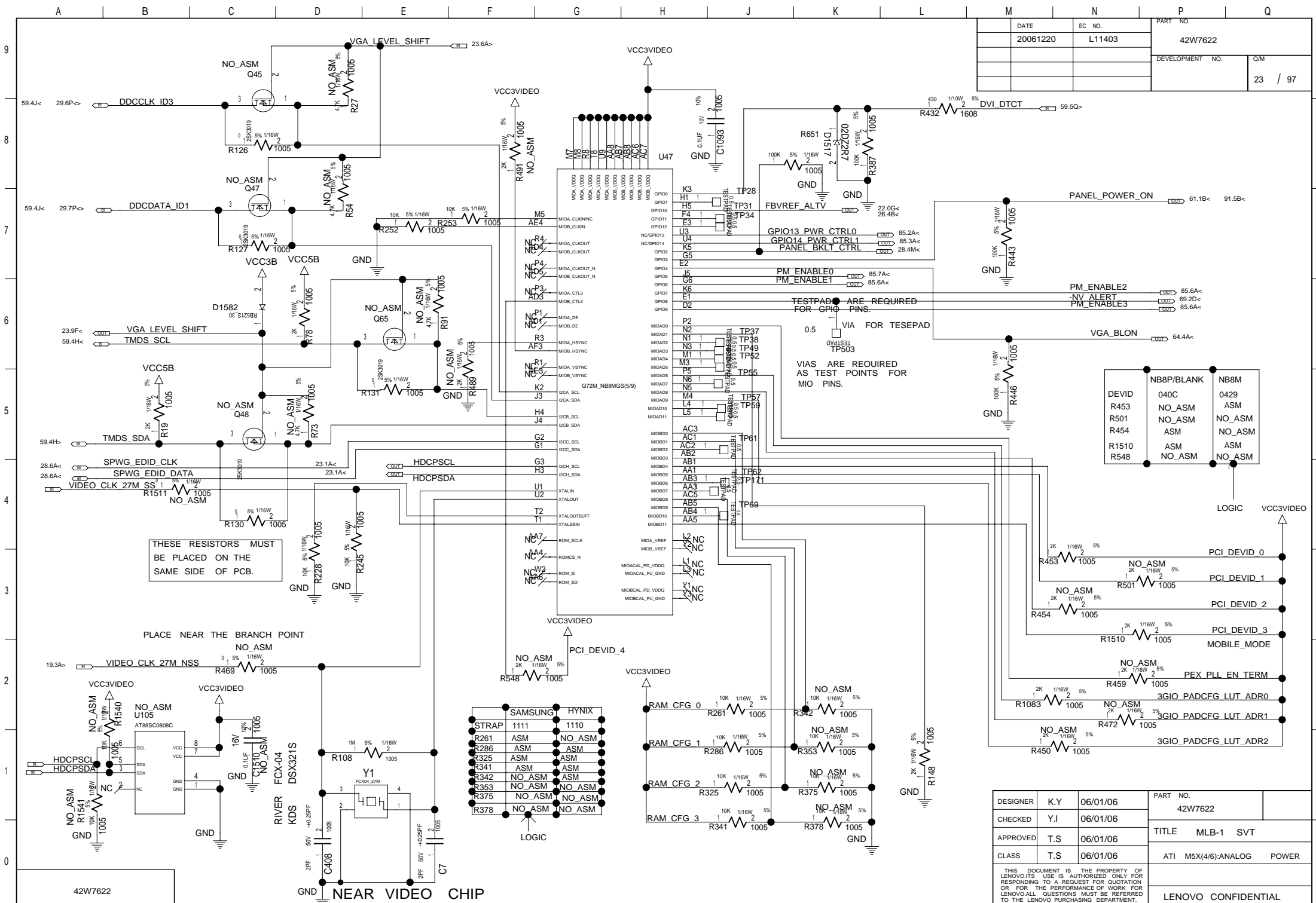


DATE	EC NO.	PART NO.
20061220	L11403	42W7622
DEVELOPMENT NO.		Q/M
		22 / 97

DESIGNER	K.Y.	06/01/06	PART NO.	42W7622
CHECKED	Y.I.	06/01/06	TITLE MLB-1 SVT	
APPROVED	T.S.	06/01/06	AT1 M5X(3/6):CLK/GPIO	
CLASS	T.S.	06/01/06		

THIS DOCUMENT IS THE PROPERTY OF LENOVO... USE IS AUTHORIZED ONLY FOR RESPONDING TO A REQUEST FOR QUOTATION OR FOR THE PERFORMANCE OF WORK FOR LENOVO... ALL QUESTIONS MUST BE REFERRED TO THE LENOVO PURCHASING DEPARTMENT.

LENOVO CONFIDENTIAL



DATE	EC NO.	PART NO.
20061220	L11403	42W7622
DEVELOPMENT NO.		Q/M
		23 / 97

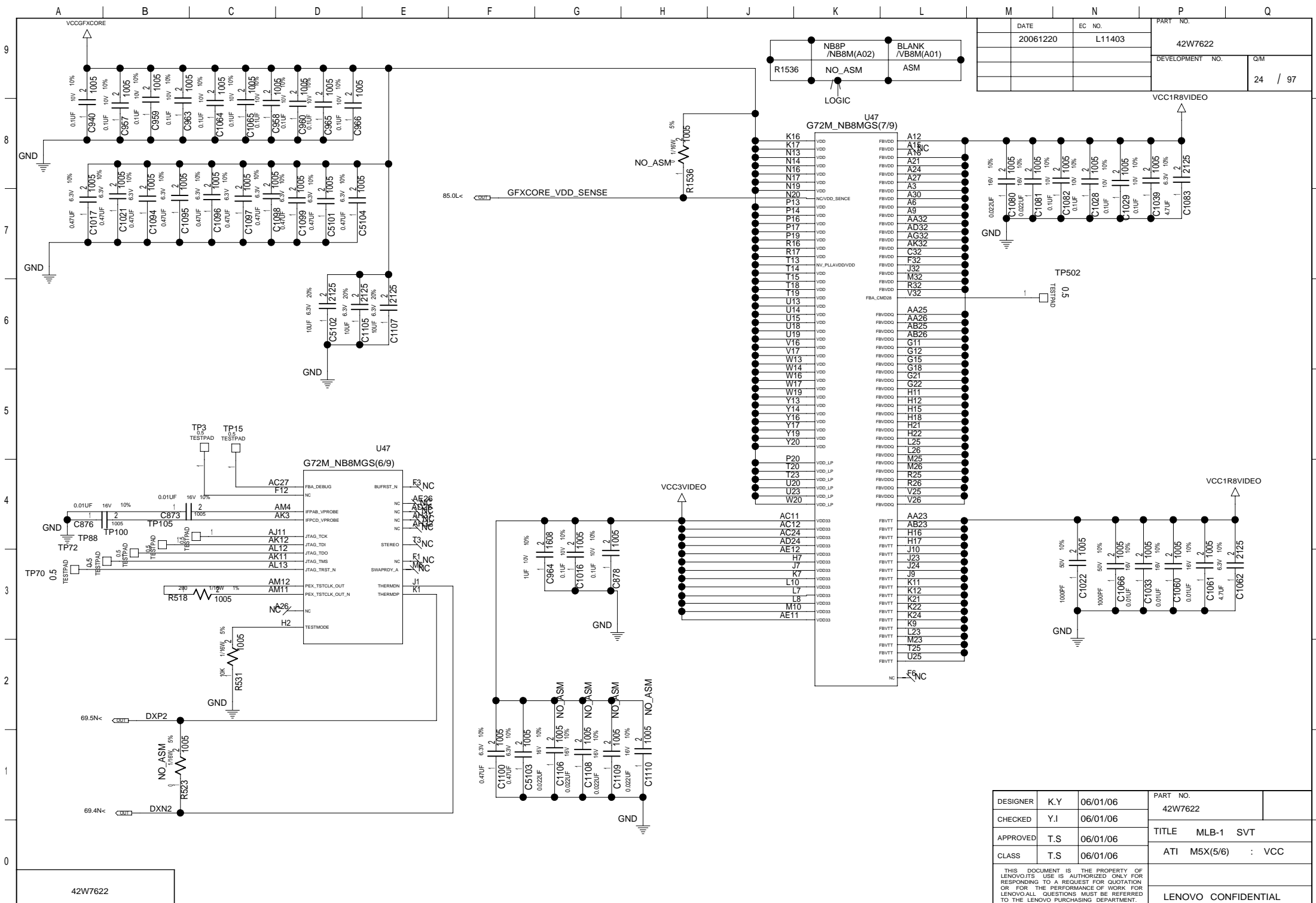
THESE RESISTORS MUST BE PLACED ON THE SAME SIDE OF PCB.

PLACE NEAR THE BRANCH POINT

NEAR VIDEO CHIP

DESIGNER	K.Y	06/01/06	PART NO.	42W7622
CHECKED	Y.I	06/01/06	TITLE MLB-1 SVT	
APPROVED	T.S	06/01/06	CLASS ATI M5X(4/6):ANALOG POWER	
CLASS	T.S	06/01/06	LENOVO CONFIDENTIAL	

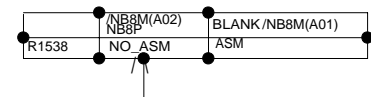
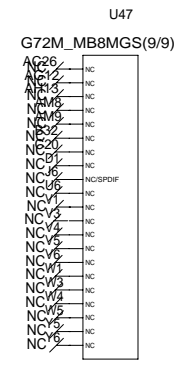
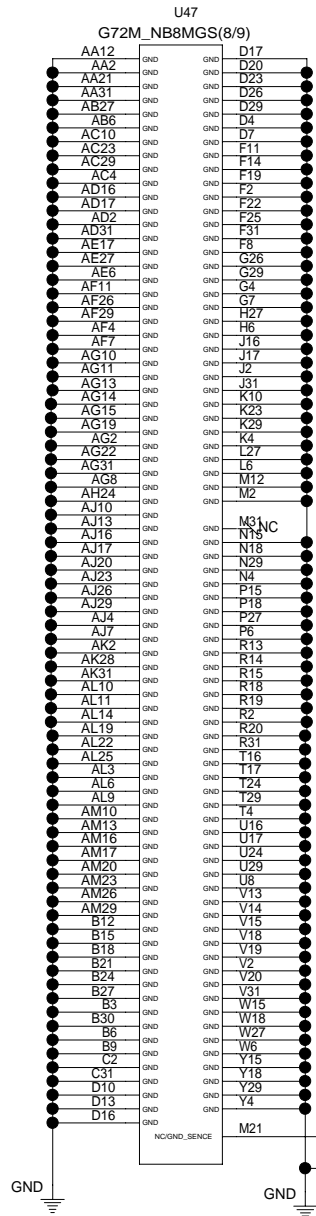
THIS DOCUMENT IS THE PROPERTY OF LENOVO. ITS USE IS AUTHORIZED ONLY FOR RESPONDING TO A REQUEST FOR QUOTATION OR FOR THE PERFORMANCE OF WORK FOR LENOVO. ALL QUESTIONS MUST BE REFERRED TO THE LENOVO PURCHASING DEPARTMENT.



DATE	EC NO.	PART NO.
20061220	L11403	42W7622
DEVELOPMENT NO.		Q/M
		24 / 97

DESIGNER	K.Y	06/01/06	PART NO.	42W7622
CHECKED	Y.I	06/01/06	TITLE	MLB-1 SVT
APPROVED	T.S	06/01/06	ATI M5X(5/6)	VCC
CLASS	T.S	06/01/06		
THIS DOCUMENT IS THE PROPERTY OF LENOVO/ITS USE IS AUTHORIZED ONLY FOR RESPONDING TO A REQUEST FOR QUOTATION OR FOR THE PERFORMANCE OF WORK FOR LENOVO/ALL QUESTIONS MUST BE REFERRED TO THE LENOVO PURCHASING DEPARTMENT.				
LENOVO CONFIDENTIAL				

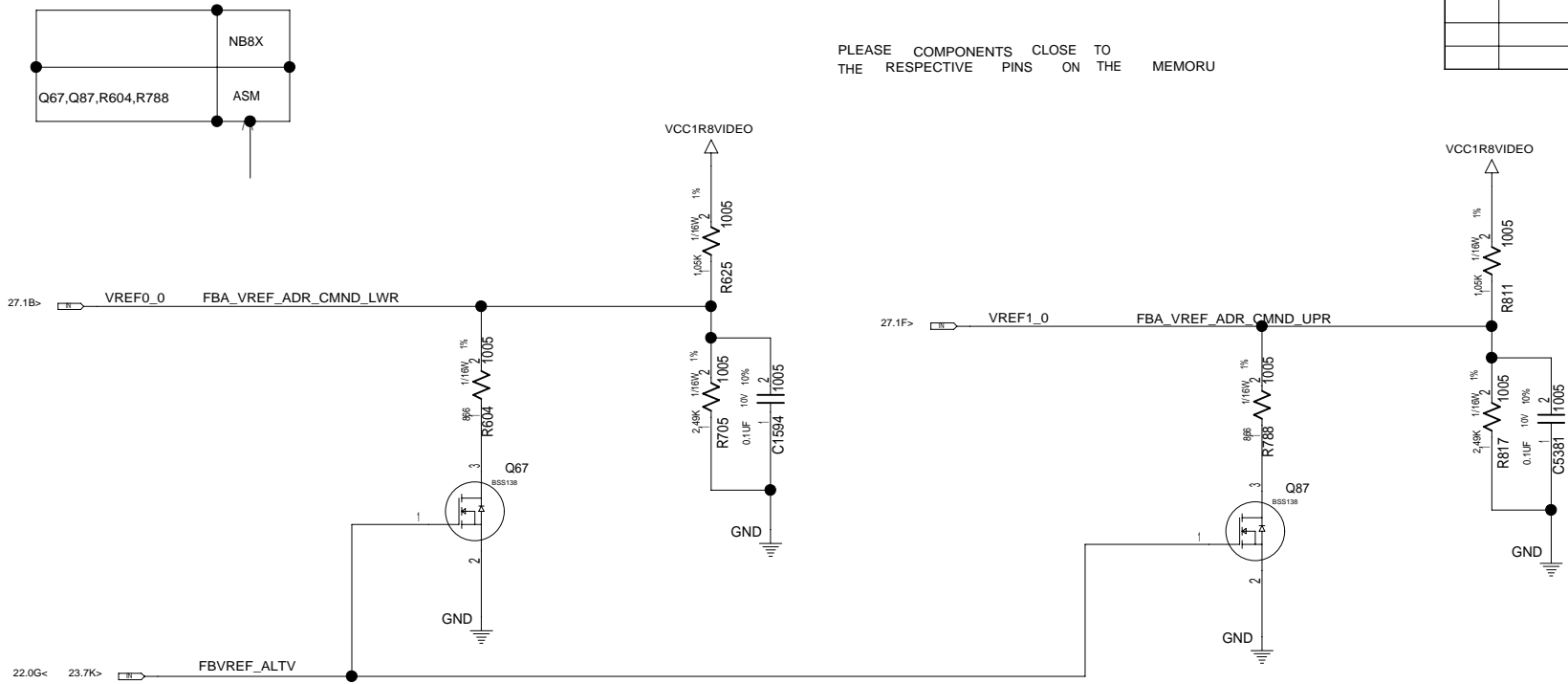
DATE	EC NO.	PART NO.	
20061220	L11403	42W7622	
		DEVELOPMENT NO.	Q/M
			25 / 97



DESIGNER	K.Y	06/01/06	PART NO.	42W7622
CHECKED	Y.I	06/01/06	TITLE MLB-1 SVT	
APPROVED	T.S	06/01/06	CLASS ATI M5X(6/6) : GND	
THIS DOCUMENT IS THE PROPERTY OF LENOVO. ITS USE IS AUTHORIZED ONLY FOR RESPONDING TO A REQUEST FOR QUOTATION OR FOR THE PERFORMANCE OF WORK FOR LENOVO. ALL QUESTIONS MUST BE REFERRED TO THE LENOVO PURCHASING DEPARTMENT.				
LENOVO CONFIDENTIAL				

DATE	EC NO.	PART NO.	
20061220	L11403	42W7622	
		DEVELOPMENT NO.	Q/M
			26 / 97

PLEASE COMPONENTS CLOSE TO THE RESPECTIVE PINS ON THE MEMORU

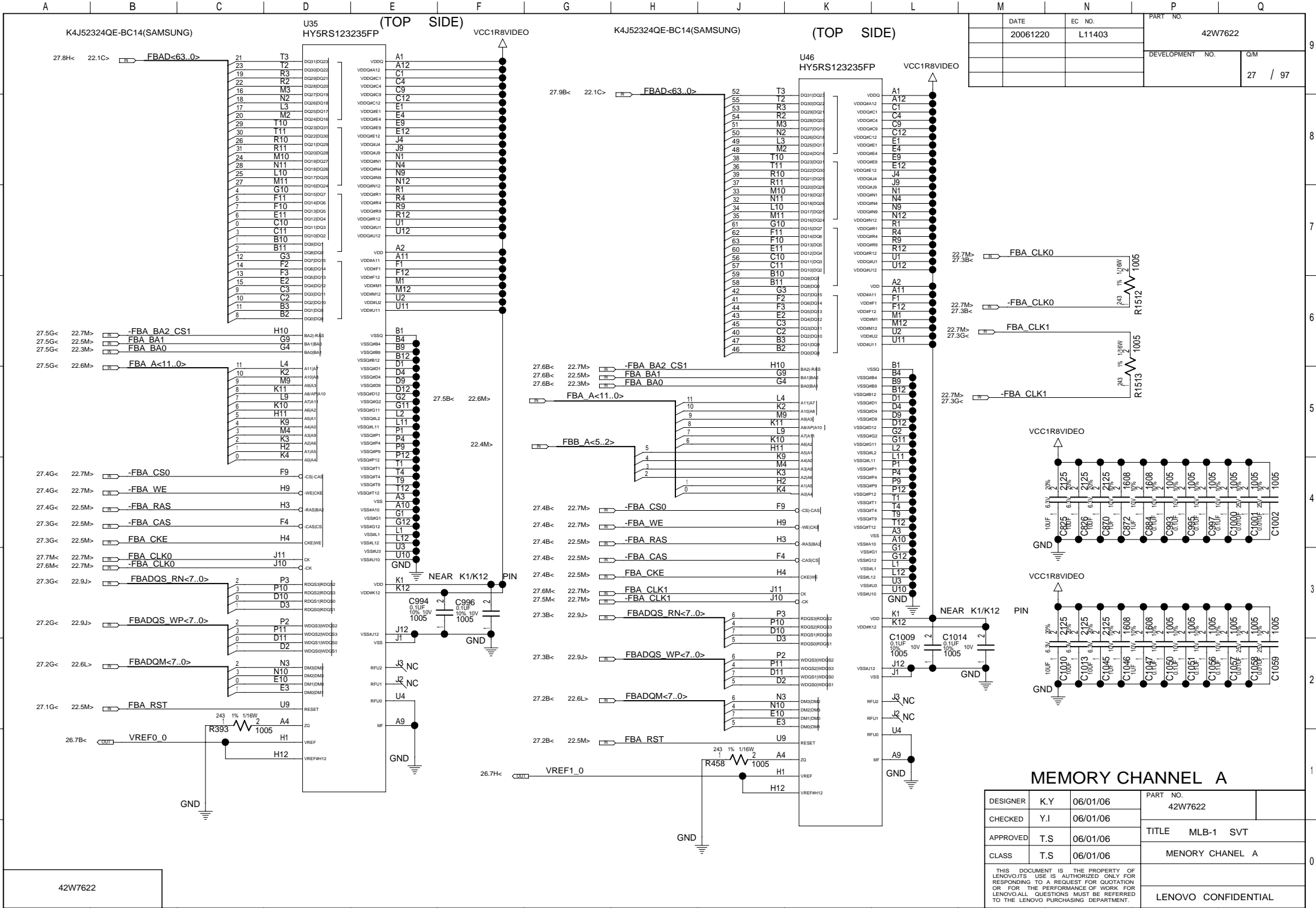


27.1B> VREF0_0 FBA_VREF_ADR_CMND_LWR

27.1F> VREF1_0 FBA_VREF_ADR_CMND_UPR

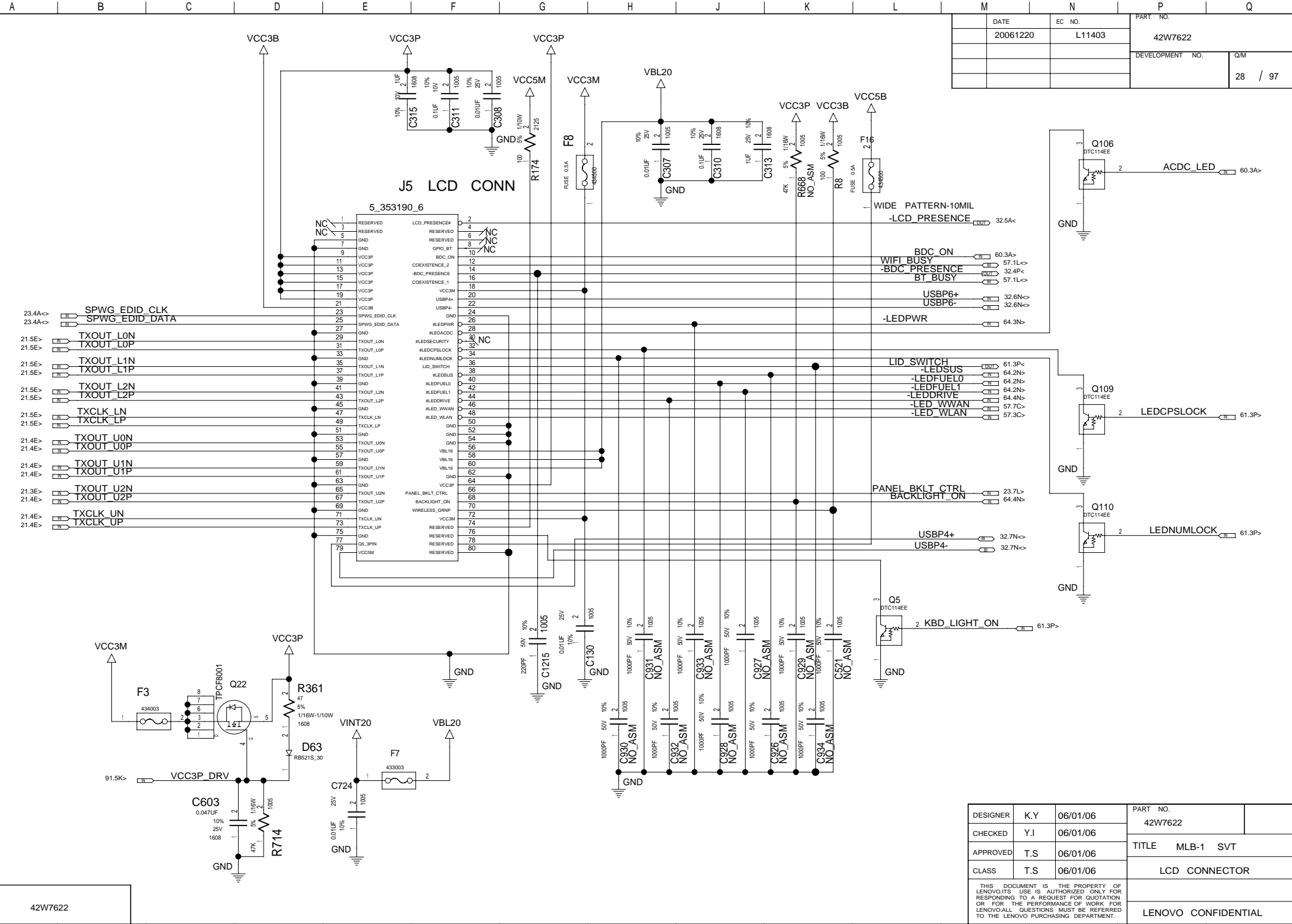
22.0G< 23.7K> FBVREF_ALTV

DESIGNER	K.Y	06/01/06	PART NO.	42W7622
CHECKED	Y.I	06/01/06	TITLE	MLB-1 SVT
APPROVED	T.S	06/01/06		
CLASS	T.S	06/01/06		
THIS DOCUMENT IS THE PROPERTY OF LENOVO/ITS USE IS AUTHORIZED ONLY FOR RESPONDING TO A REQUEST FOR QUOTATION OR FOR THE PERFORMANCE OF WORK FOR LENOVO/ALL QUESTIONS MUST BE REFERRED TO THE LENOVO PURCHASING DEPARTMENT.				LENOVO CONFIDENTIAL



DATE	EC NO.	PART NO.
20061220	L11403	42W7622
DEVELOPMENT NO.		Q/M
		27 / 97

MEMORY CHANNEL A			PART NO.
DESIGNER	K.Y	06/01/06	42W7622
CHECKED	Y.I	06/01/06	
APPROVED	T.S	06/01/06	TITLE MLB-1 SVT
CLASS	T.S	06/01/06	MEMORY CHANNEL A
THIS DOCUMENT IS THE PROPERTY OF LENOVO. ITS USE IS AUTHORIZED ONLY FOR RESPONDING TO A REQUEST FOR QUOTATION OR FOR THE PERFORMANCE OF WORK FOR LENOVO. ALL QUESTIONS MUST BE REFERRED TO THE LENOVO PURCHASING DEPARTMENT.			LENOVO CONFIDENTIAL



DATE	EC NO.	PART NO.
20061220	L11403	42W7622
		DEVELOPMENT NO.
		Q/M
		28 / 97

DESIGNER	K.Y	06/01/06	PART NO.	42W7622
CHECKED	Y.I	06/01/06	TITLE	MLB-1 SVT
APPROVED	T.S	06/01/06	CLASS	LCD CONNECTOR
CLASS	T.S	06/01/06	LENVO CONFIDENTIAL	

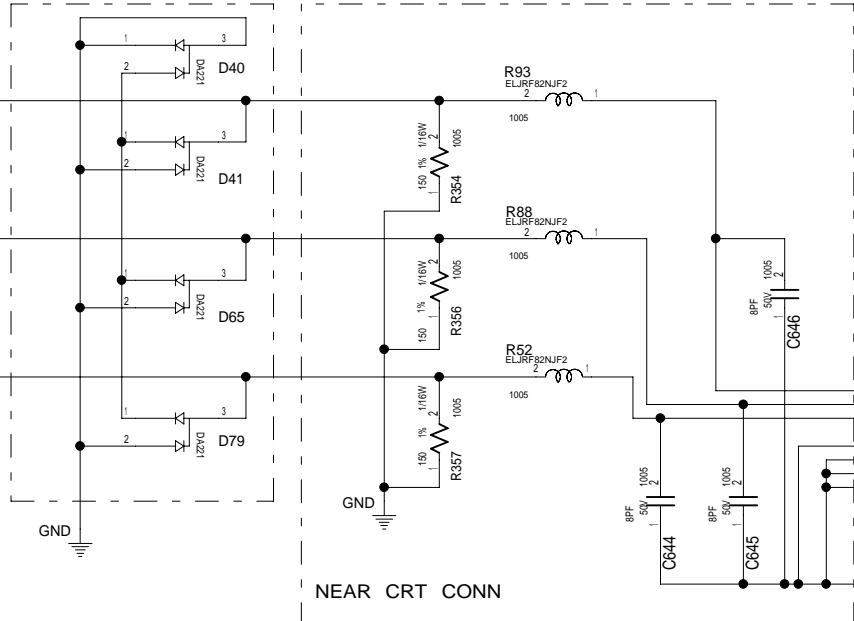
THIS DOCUMENT IS THE PROPERTY OF LENOVO'S. USE IS AUTHORIZED ONLY FOR RESPONDING TO A REQUEST FOR QUOTATION OR FOR THE PERFORMANCE OF WORK FOR LENOVO. ALL QUESTIONS MUST BE REFERRED TO THE LENOVO PURCHASING DEPARTMENT.

A B C D E F G H J K L M N P Q

DATE	20061220	EC NO.	L11403	PART NO.	42W7622
				DEVELOPMENT NO.	G/M
					29 / 97

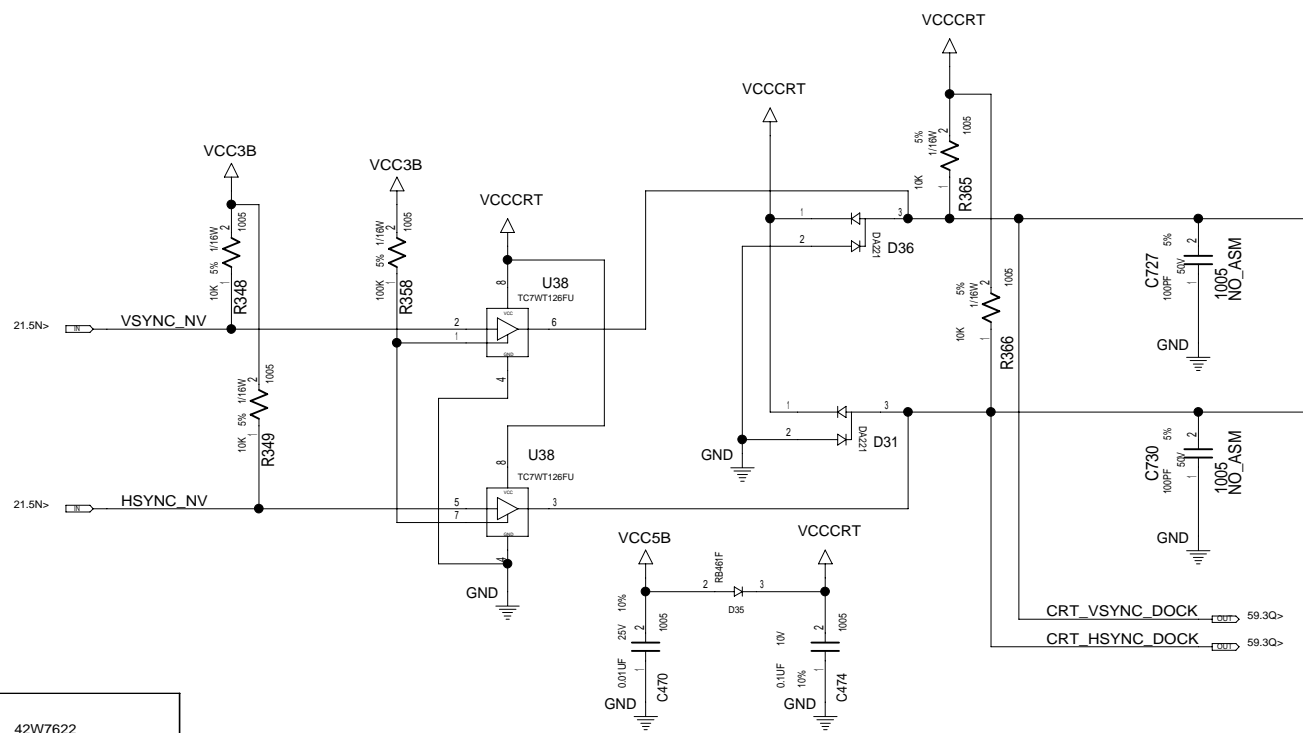
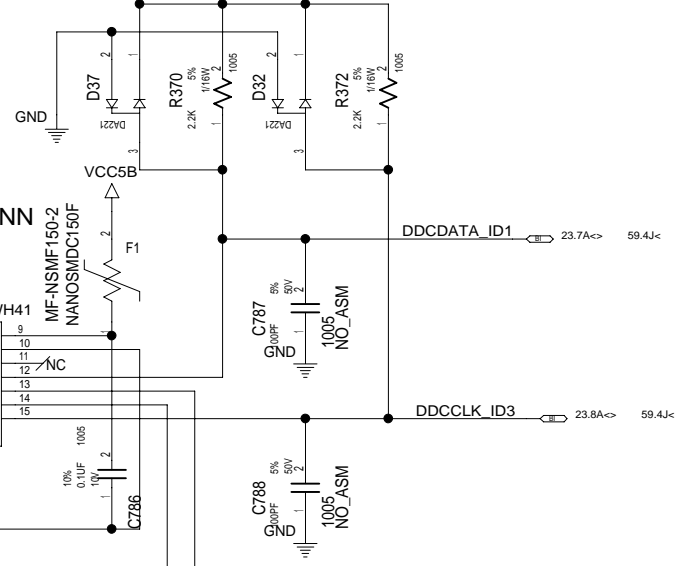
GND GUARDING
EACH SIGNAL WIDTH=4MIL,
SPACING=8MIL

74.8M> CRT_RED_NV
74.6M> CRT_GREEN_NV
74.5M> CRT_BLUE_NV



NEAR CRT CONN

CRT CONN
J31
DZ11A91_WH41



CRT_VSYNC DOCK 59.3Q>
CRT_HSYNC DOCK 59.3Q>

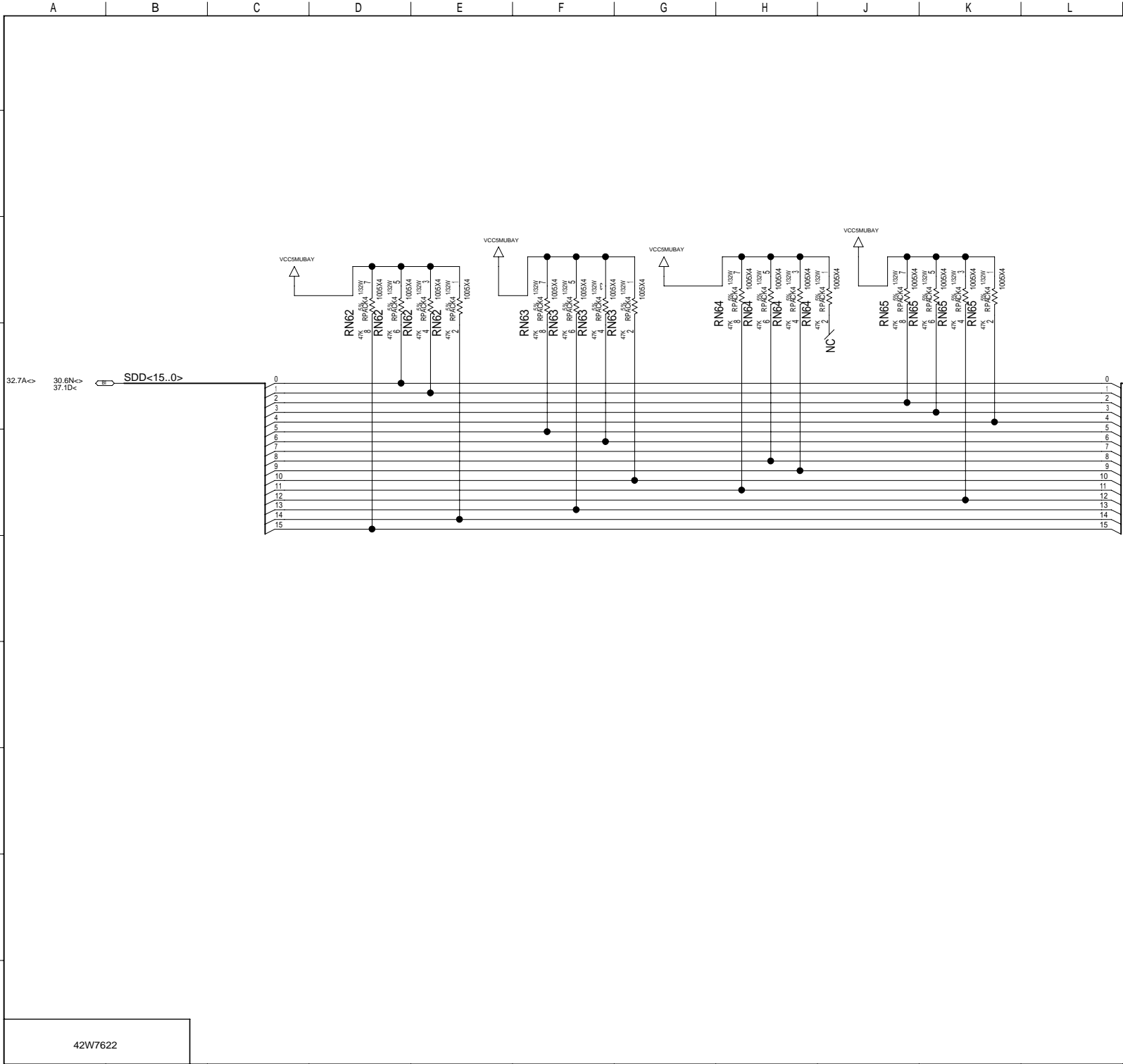
DESIGNER	K.Y	06/01/06	PART NO.	42W7622
CHECKED	Y.I	06/01/06		
APPROVED	T.S	06/01/06	TITLE MLB-1 SVT	
CLASS	T.S	06/01/06	EXT CRT INTERFACE	

THIS DOCUMENT IS THE PROPERTY OF
LENOVO. ITS USE IS AUTHORIZED ONLY FOR
RESPONDING TO A REQUEST FOR QUOTATION
OR FOR THE PERFORMANCE OF WORK FOR
LENOVO. ALL QUESTIONS MUST BE REFERRED
TO THE LENOVO PURCHASING DEPARTMENT.

LENOVO CONFIDENTIAL

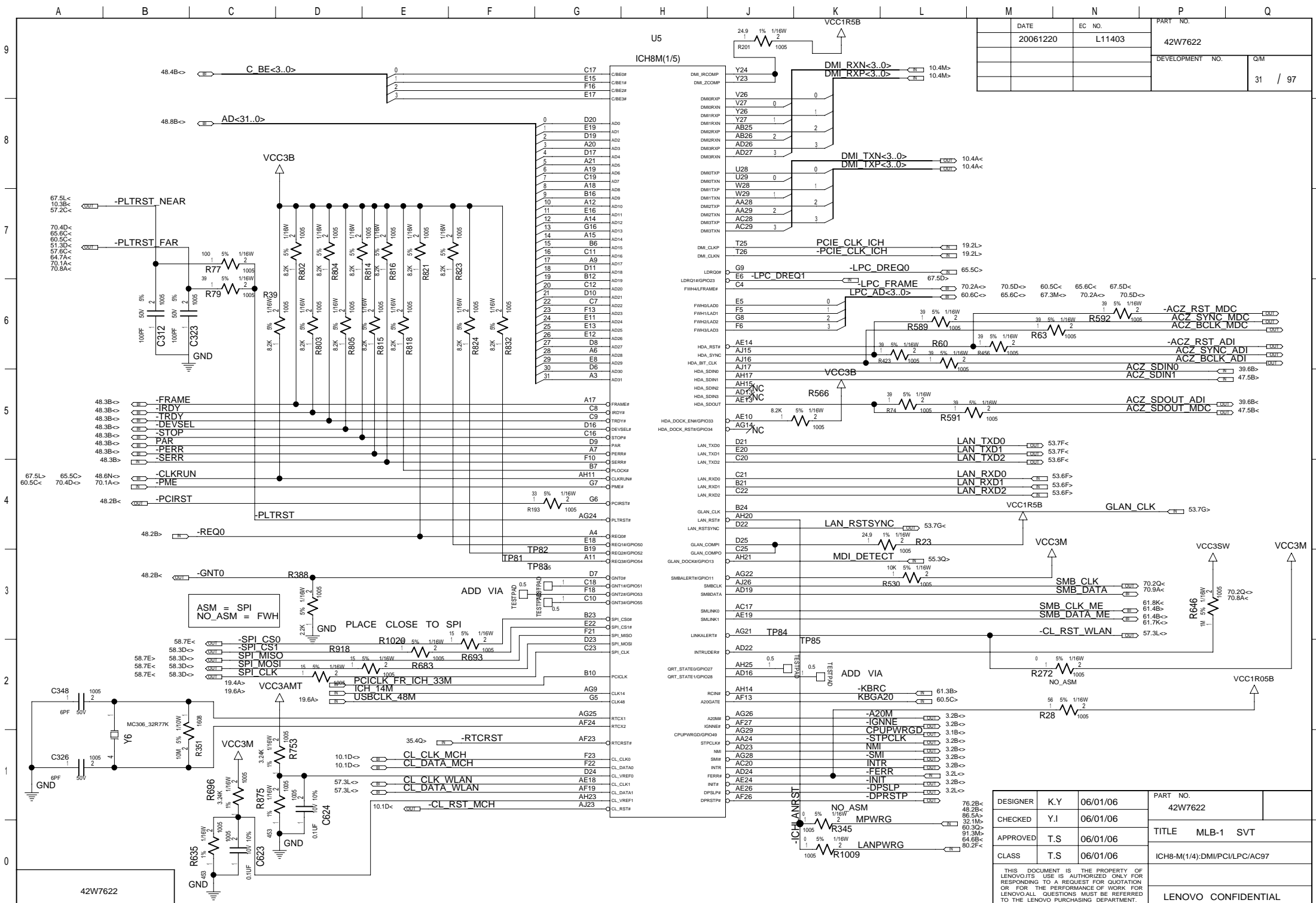
A B C D E F G H J K L M N P Q

DATE	EC NO.	PART NO.	
20061220	L11403	42W7622	
		DEVELOPMENT NO.	Q/M
			30 / 97



42W7622

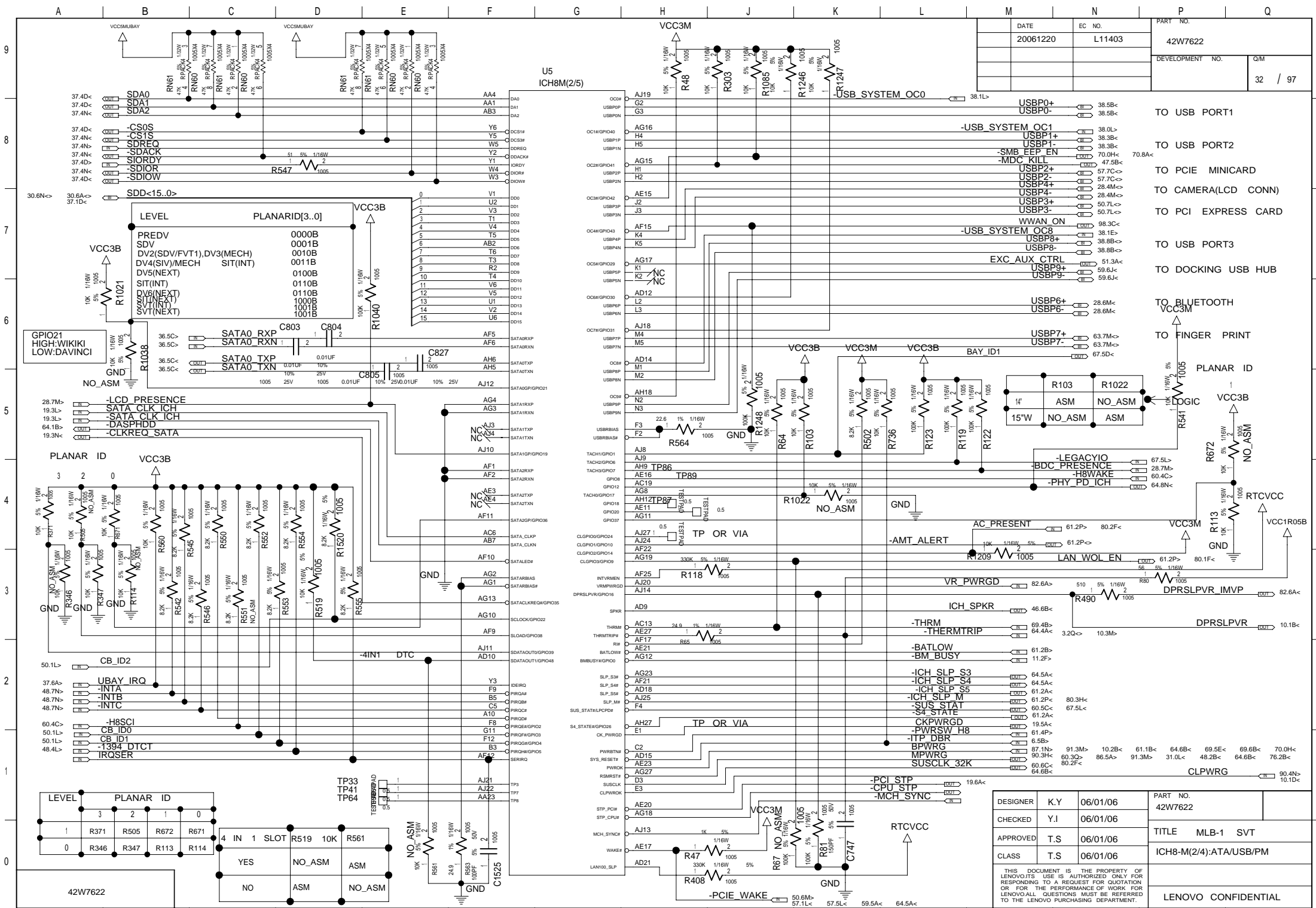
DESIGNER	K.Y	06/01/06	PART NO.	42W7622
CHECKED	Y.I	06/01/06	TITLE	MLB-1 SVT
APPROVED	T.S	06/01/06	CLASS	PATA I/F PU
CLASS	T.S	06/01/06	THIS DOCUMENT IS THE PROPERTY OF LENOVO/ITS USE IS AUTHORIZED ONLY FOR RESPONDING TO A REQUEST FOR QUOTATION OR FOR THE PERFORMANCE OF WORK FOR LENOVO/ALL QUESTIONS MUST BE REFERRED TO THE LENOVO PURCHASING DEPARTMENT.	
LENOVO CONFIDENTIAL				



DATE	EC NO.	PART NO.
20061220	L11403	42W7622
DEVELOPMENT NO.		Q/M
		31 / 97

DESIGNER	K.Y	06/01/06	PART NO.	42W7622
CHECKED	Y.I	06/01/06	TITLE	MLB-1 SVT
APPROVED	T.S	06/01/06	ICH8-M(1/4):DMI/PCI/LPC/AC97	
CLASS	T.S	06/01/06	LENOVO CONFIDENTIAL	

THIS DOCUMENT IS THE PROPERTY OF LENOVO/TS. IT IS AUTHORIZED ONLY FOR RESPONDING TO A REQUEST FOR QUOTATION OR FOR THE PERFORMANCE OF WORK FOR LENOVO. ALL QUESTIONS MUST BE REFERRED TO THE LENOVO PURCHASING DEPARTMENT.



DATE	EC NO.	PART NO.
20061220	L11403	42W7622
DEVELOPMENT NO.		Q/M
		32 / 97

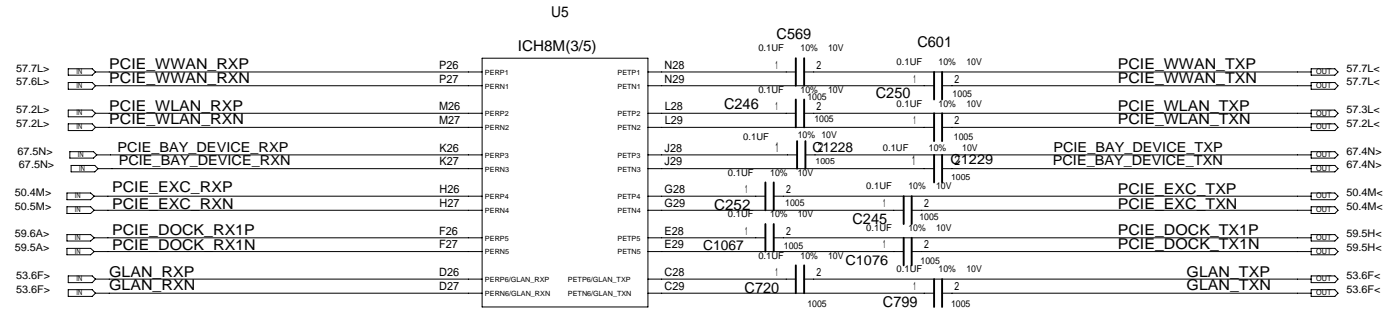
TO USB PORT1	USBP0+	38.5B<	
TO USB PORT1	USBP0-	38.5B<	
TO USB PORT2	USBP1+	38.3B<	
TO USB PORT2	USBP1-	38.3B<	
TO USB PORT2	SMB_EEP_EN	70.0H<	70.8A<
TO USB PORT2	MDC_KILL	47.5B<	
TO PCI EXPRESS CARD	USBP2+	57.7C<	
TO PCI EXPRESS CARD	USBP2-	57.7C<	
TO CAMERA(LCD CONN)	USBP4+	28.4M<	
TO CAMERA(LCD CONN)	USBP4-	28.4M<	
TO PCI EXPRESS CARD	USBP3+	50.7L<	
TO PCI EXPRESS CARD	USBP3-	50.7L<	
TO USB PORT3	WWAN_ON	98.3C<	
TO USB PORT3	USBP8+	38.8B<	
TO USB PORT3	USBP8-	38.8B<	
TO DOCKING USB HUB	EXC_AUX_CTRL	51.3A<	
TO DOCKING USB HUB	USBP9+	59.6J<	
TO DOCKING USB HUB	USBP9-	59.6J<	
TO BLUETOOTH	USBP6+	28.6M<	
TO BLUETOOTH	USBP6-	28.6M<	
TO FINGER PRINT	USBP7+	63.7M<	
TO FINGER PRINT	USBP7-	63.7M<	
PLANAR ID			
VCC3B			
LOGIC			
VCC3B			
NO_ASM			
ASM			
RTCVC			
VCC1R05B			
GND			
DPRSLPVR_IMVP		82.6A<	
DPRSLPVR		10.1B<	
VR_PWRGD		82.6A>	
AC_PRESENT		61.2P>	80.2F<
-AMT_ALERT		61.2P>	
LAN_WOL_EN		61.2P>	80.1F<
-I_CH_SLP_S3		64.5A<	
-I_CH_SLP_S4		64.5A<	
-I_CH_SLP_S5		61.2A<	
-I_CH_SLP_M		61.2P<	80.3H<
-SUS_STAT		60.5C<	67.5L<
-CPU_STOP		19.5A<	
-MCH_SYNC		61.4P>	
-PCI_STOP		87.1N>	91.3M>
-CPU_STOP		90.3H<	10.2B<
-MCH_SYNC		80.2F<	61.1B<
-MCH_SYNC		60.6C<	64.6B<
-MCH_SYNC		60.6C<	69.5E<
-MCH_SYNC		60.6C<	69.6B<
-MCH_SYNC		60.6C<	70.0H<
-MCH_SYNC		60.6C<	76.2B<
-MCH_SYNC		60.6C<	90.4N>
-MCH_SYNC		60.6C<	10.1D<
-MCH_SYNC		60.6C<	CLPWRG

DESIGNER	K.Y	06/01/06	PART NO.	42W7622
CHECKED	Y.I	06/01/06	TITLE	MLB-1 SVT
APPROVED	T.S	06/01/06	ICH8-M(2/4):ATA/USB/PM	
CLASS	T.S	06/01/06	LENOVO CONFIDENTIAL	

42W7622

YES	NO_ASM	ASM
NO	ASM	NO_ASM

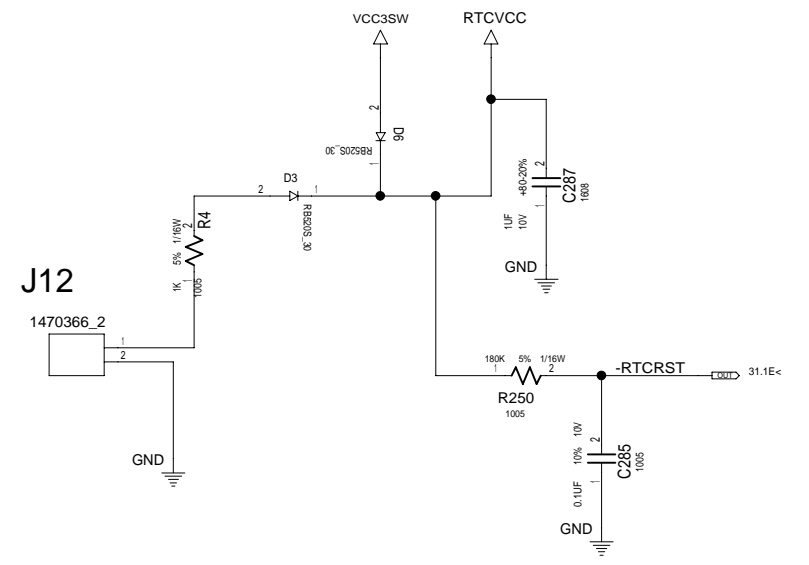
DATE		EC NO.		PART NO.	
20061220		L11403		42W7622	
DEVELOPMENT NO.				Q/M	
				33 / 97	



42W7622

DESIGNER	K.Y	06/01/06	PART NO.	
CHECKED	Y.I	06/01/06	42W7622	
APPROVED	T.S	06/01/06	TITLE MLB-1 SVT	
CLASS	T.S	06/01/06	ICH8-M(3/4):PCI	EXPRESS
THIS DOCUMENT IS THE PROPERTY OF LENOVO/ITS USE IS AUTHORIZED ONLY FOR RESPONDING TO A REQUEST FOR QUOTATION OR FOR THE PERFORMANCE OF WORK FOR LENOVO/ALL QUESTIONS MUST BE REFERRED TO THE LENOVO PURCHASING DEPARTMENT.				
LENOVO CONFIDENTIAL				

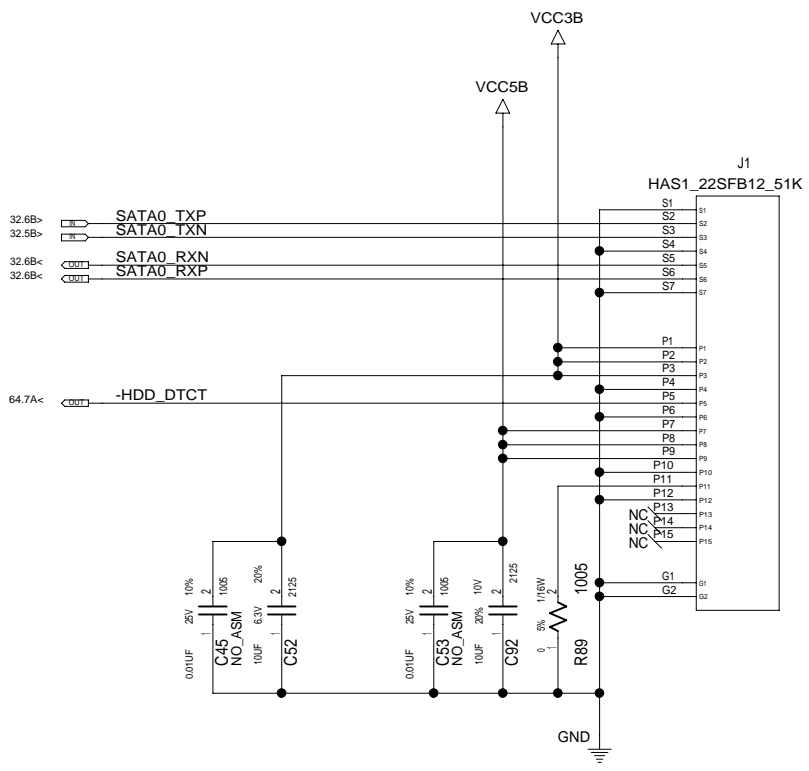
DATE	EC NO.	PART NO.	
20061220	L11403	42W7622	
		DEVELOPMENT NO.	Q/M
			35 / 97



42W7622

DESIGNER	K.Y	06/01/06	PART NO.	42W7622
CHECKED	Y.I	06/01/06	TITLE MLB-1 SVT	
APPROVED	T.S	06/01/06	FWH,RTC BATTERY	
CLASS	T.S	06/01/06	LENOVO CONFIDENTIAL	
<p>THIS DOCUMENT IS THE PROPERTY OF LENOVO.ITS USE IS AUTHORIZED ONLY FOR RESPONDING TO A REQUEST FOR QUOTATION OR FOR THE PERFORMANCE OF WORK FOR LENOVO.ALL QUESTIONS MUST BE REFERRED TO THE LENOVO PURCHASING DEPARTMENT.</p>				

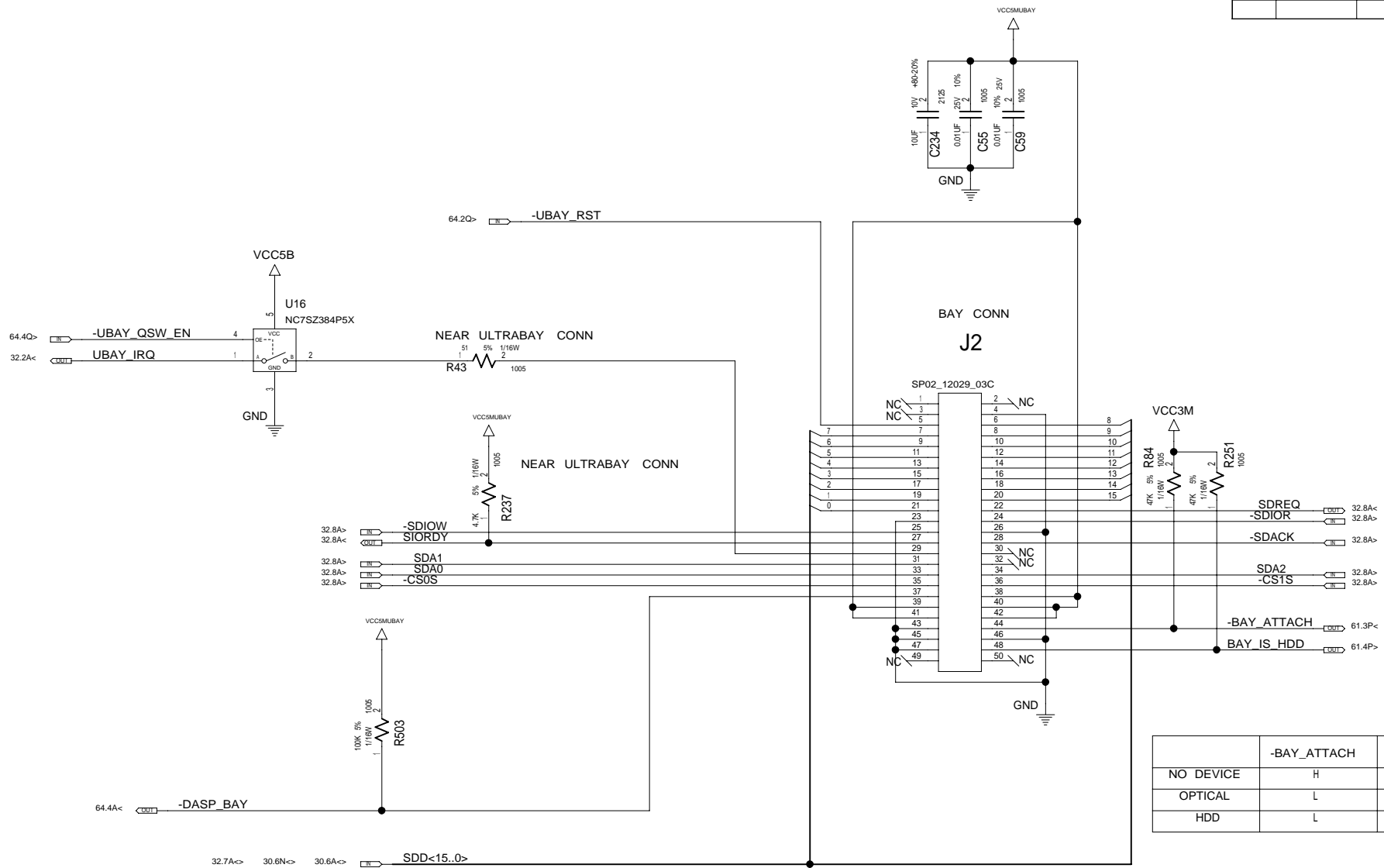
DATE		EC NO.		PART NO.	
20061220		L11403		42W7622	
DEVELOPMENT NO.				Q/M	
				36 / 97	



42W7622

DESIGNER	K.Y	06/01/06	PART NO.	
CHECKED	Y.I	06/01/06	42W7622	
APPROVED	T.S	06/01/06	TITLE MLB-1 SVT	
CLASS	T.S	06/01/06	SATA HDD CONN	
THIS DOCUMENT IS THE PROPERTY OF LENOVO/ITS USE IS AUTHORIZED ONLY FOR RESPONDING TO A REQUEST FOR QUOTATION OR FOR THE PERFORMANCE OF WORK FOR LENOVO/ALL QUESTIONS MUST BE REFERRED TO THE LENOVO PURCHASING DEPARTMENT.				
LENOVO CONFIDENTIAL				

DATE	EC NO.	PART NO.	
20061220	L11403	42W7622	
		DEVELOPMENT NO.	Q/M
			37 / 97



	-BAY_ATTACH	BAY_IS_HDD
NO DEVICE	H	DON'T CARE
OPTICAL	L	L
HDD	L	H

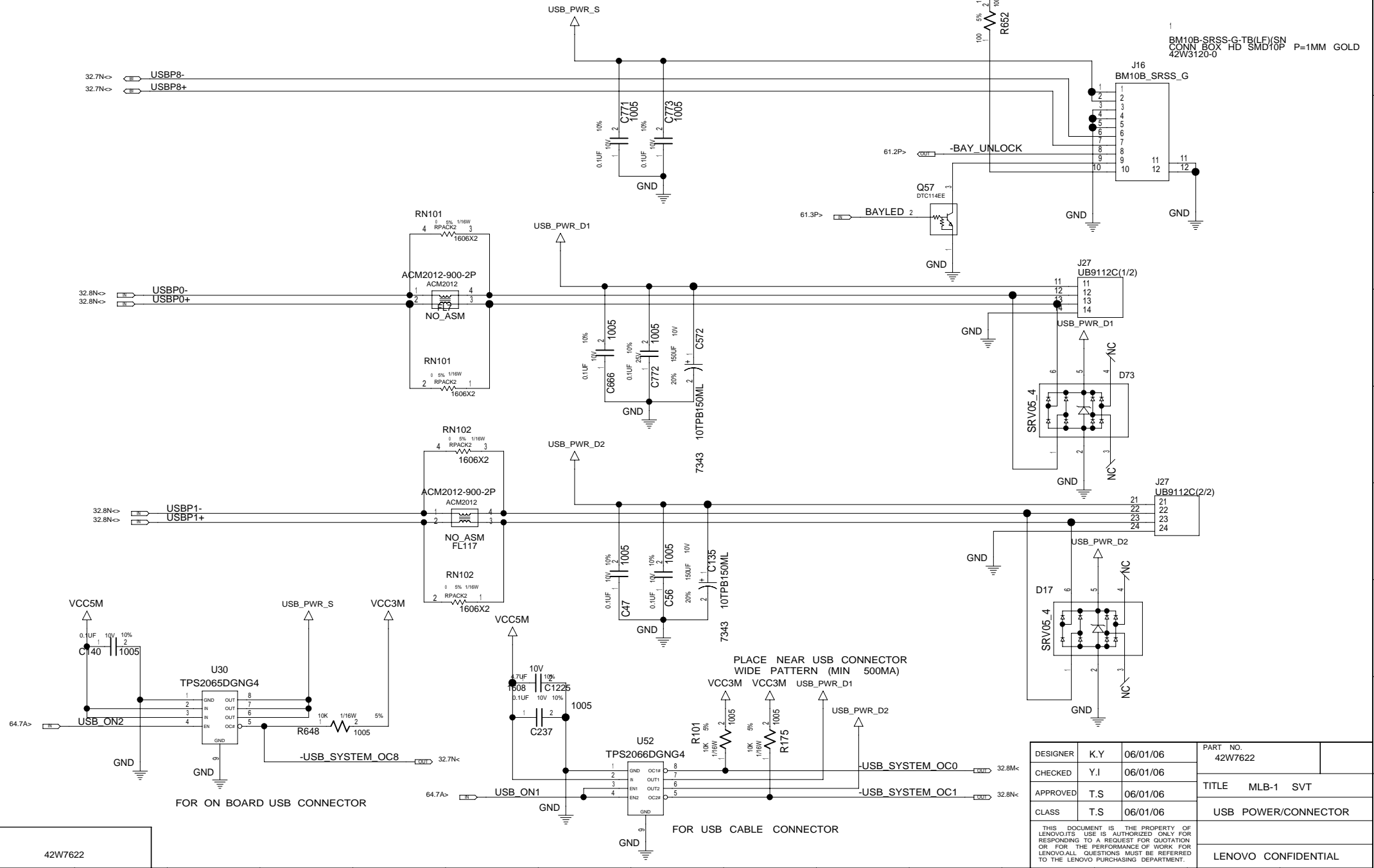
DESIGNER	K.Y	06/01/06	PART NO.	42W7622
CHECKED	Y.I	06/01/06	TITLE MLB-1 SVT	
APPROVED	T.S	06/01/06	BAY I/F CONN	
CLASS	T.S	06/01/06	LENOVO CONFIDENTIAL	

THIS DOCUMENT IS THE PROPERTY OF LENOVO/ITS USE IS AUTHORIZED ONLY FOR RESPONDING TO A REQUEST FOR QUOTATION OR FOR THE PERFORMANCE OF WORK FOR LENOVO. ALL QUESTIONS MUST BE REFERRED TO THE LENOVO PURCHASING DEPARTMENT.

A B C D E F G H J K L M N P Q

DATE	EC NO.	PART NO.
20061220	L11403	42W7622
DEVELOPMENT NO.		Q/M
		38 / 97

BM10B-SRSS-G-TB(LF)(SN)
CONN BOX HD SMD10P P=1MM GOLD
42W3120-0



PLACE NEAR USB CONNECTOR
WIDE PATTERN (MIN 500MA)

FOR ON BOARD USB CONNECTOR

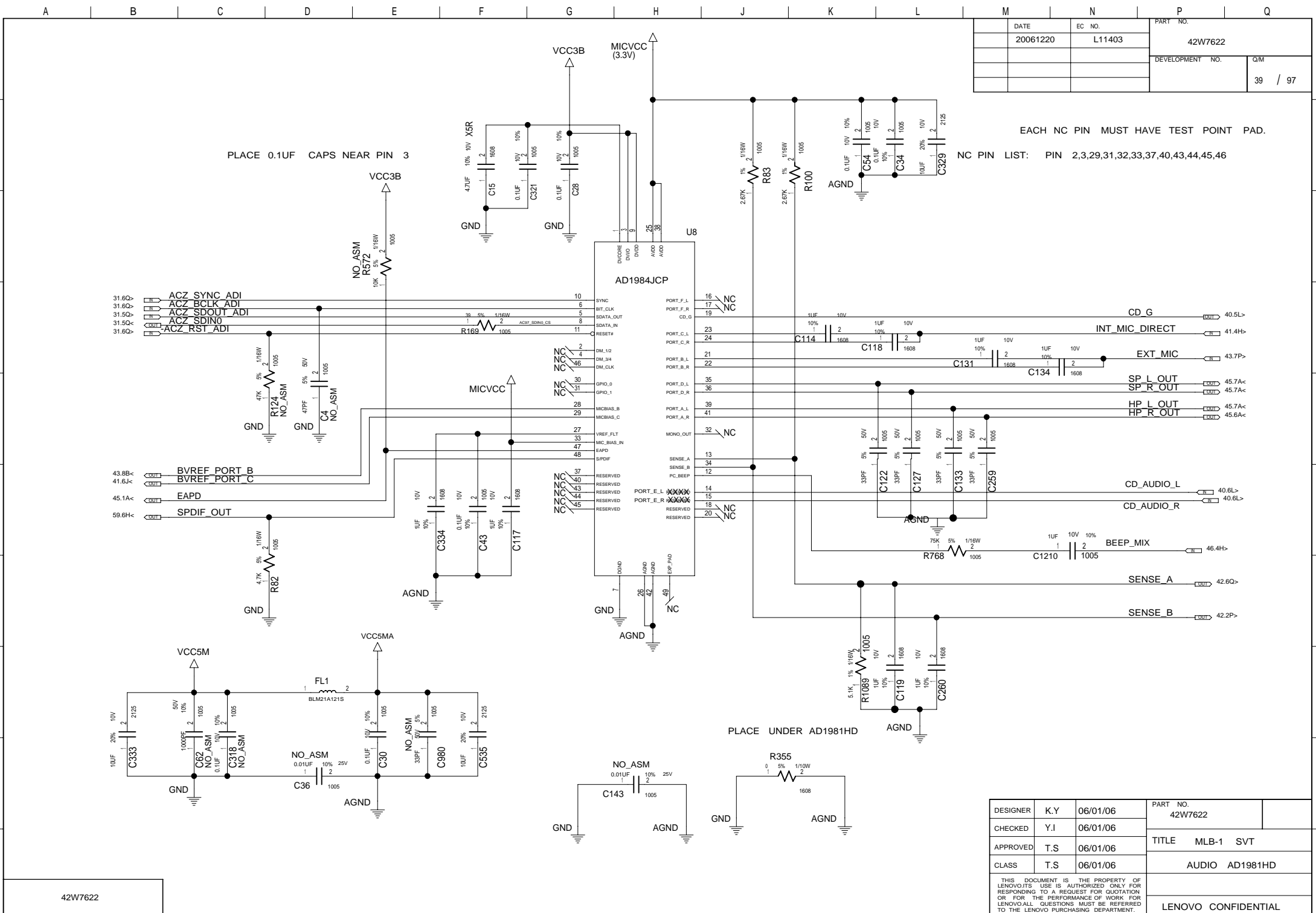
FOR USB CABLE CONNECTOR

DESIGNER	K.Y	06/01/06	PART NO.	42W7622
CHECKED	Y.I	06/01/06	TITLE	MLB-1 SVT
APPROVED	T.S	06/01/06	USB POWER/CONNECTOR	
CLASS	T.S	06/01/06	LENOVO CONFIDENTIAL	

THIS DOCUMENT IS THE PROPERTY OF LENOVO/ITS USE IS AUTHORIZED ONLY FOR RESPONDING TO A REQUEST FOR QUOTATION OR FOR THE PERFORMANCE OF WORK FOR LENOVO/ALL QUESTIONS MUST BE REFERRED TO THE LENOVO PURCHASING DEPARTMENT.

A B C D E F G H J K L M N P Q

DATE	EC NO.	PART NO.
20061220	L11403	42W7622
DEVELOPMENT NO.		Q/M
		39 / 97



PLACE 0.1UF CAPS NEAR PIN 3

EACH NC PIN MUST HAVE TEST POINT PAD.

NC PIN LIST: PIN 2,3,29,31,32,33,37,40,43,44,45,46

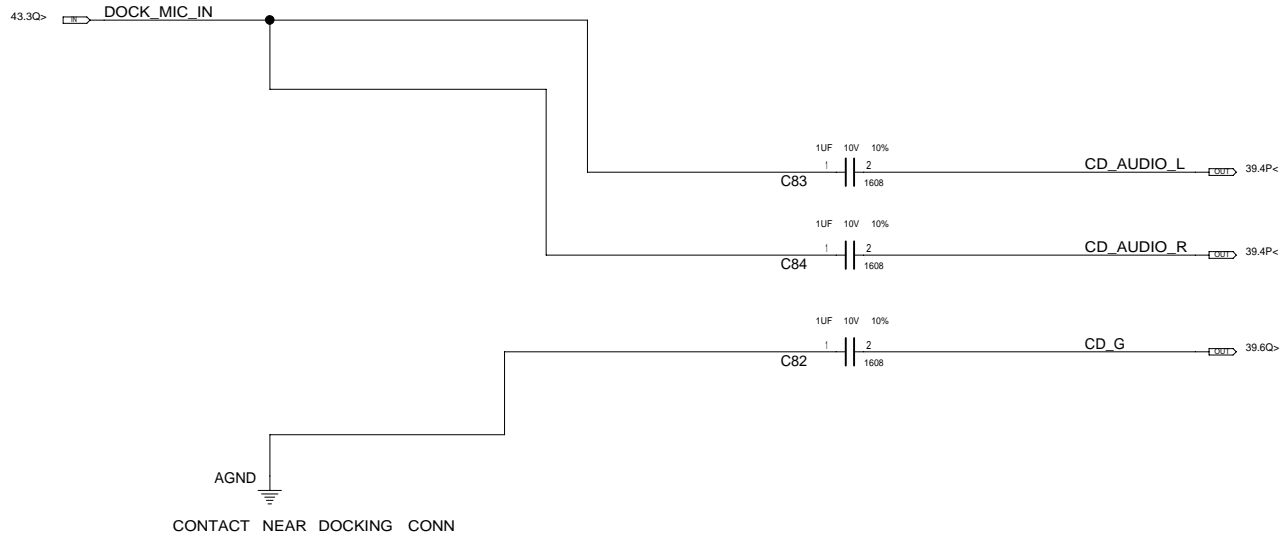
PLACE UNDER AD1981HD

DESIGNER	K.Y	06/01/06	PART NO.	42W7622
CHECKED	Y.I	06/01/06	TITLE MLB-1 SVT	
APPROVED	T.S	06/01/06	AUDIO AD1981HD	
CLASS	T.S	06/01/06	LENOVO CONFIDENTIAL	

THIS DOCUMENT IS THE PROPERTY OF LENOVO/ITS USE IS AUTHORIZED ONLY FOR RESPONDING TO A REQUEST FOR QUOTATION OR FOR THE PERFORMANCE OF WORK FOR LENOVO/ALL QUESTIONS MUST BE REFERRED TO THE LENOVO PURCHASING DEPARTMENT.

A B C D E F G H J K L M N P Q

DATE	EC NO.	PART NO.	
20061220	L11403	42W7622	
		DEVELOPMENT NO.	Q/M
			40 / 97

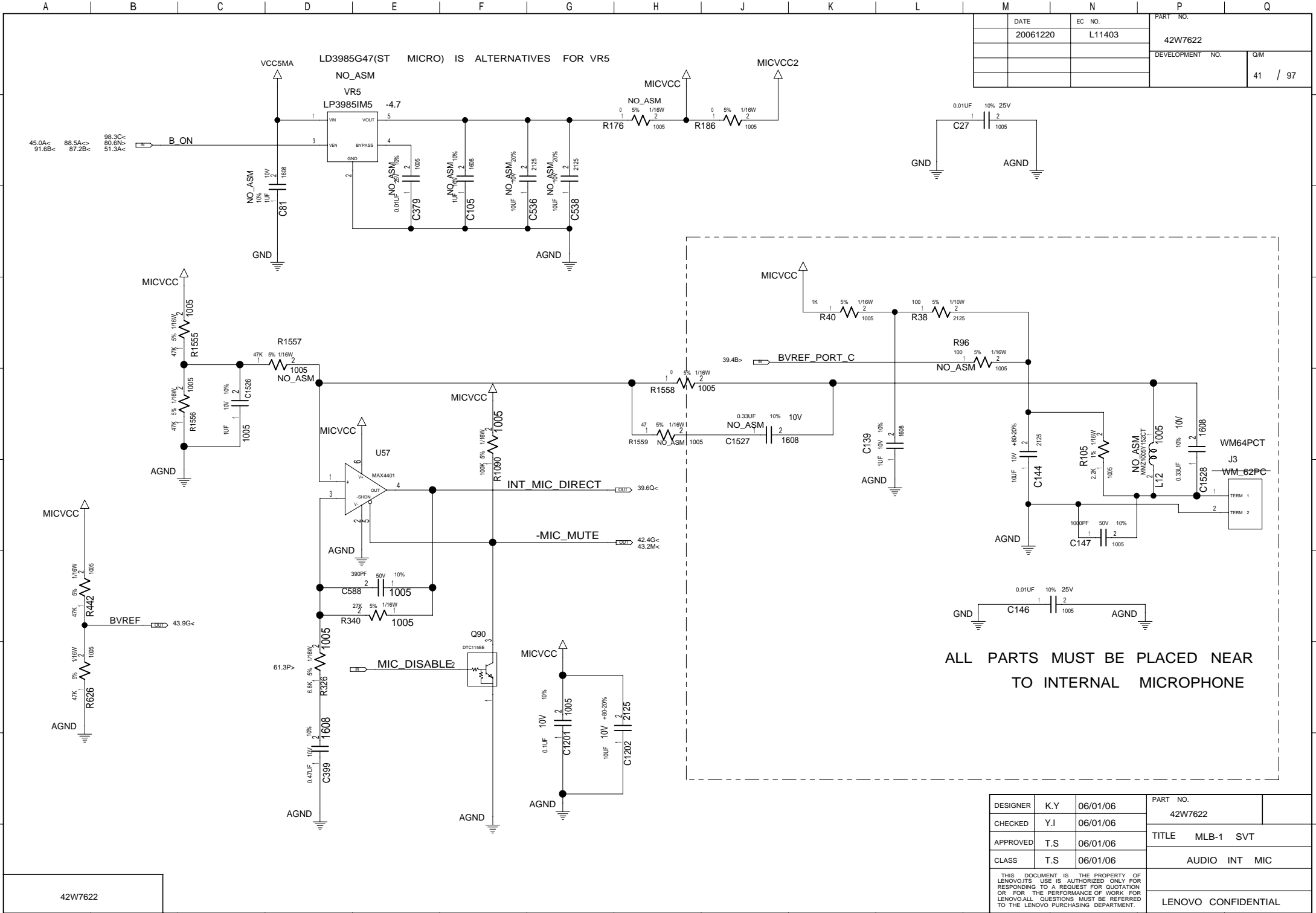


42W7622

DESIGNER	K.Y	06/01/06	PART NO.	42W7622
CHECKED	Y.I	06/01/06	TITLE MLB-1 SVT	
APPROVED	T.S	06/01/06		
CLASS	T.S	06/01/06	AUDIO MISC	
<small>THIS DOCUMENT IS THE PROPERTY OF LENOVO/ITS USE IS AUTHORIZED ONLY FOR RESPONDING TO A REQUEST FOR QUOTATION OR FOR THE PERFORMANCE OF WORK FOR LENOVO/ALL QUESTIONS MUST BE REFERRED TO THE LENOVO PURCHASING DEPARTMENT.</small>				
LENOVO CONFIDENTIAL				

A B C D E F G H J K L M N P Q

DATE	EC NO.	PART NO.
20061220	L11403	42W7622
DEVELOPMENT NO.		Q/M
		41 / 97

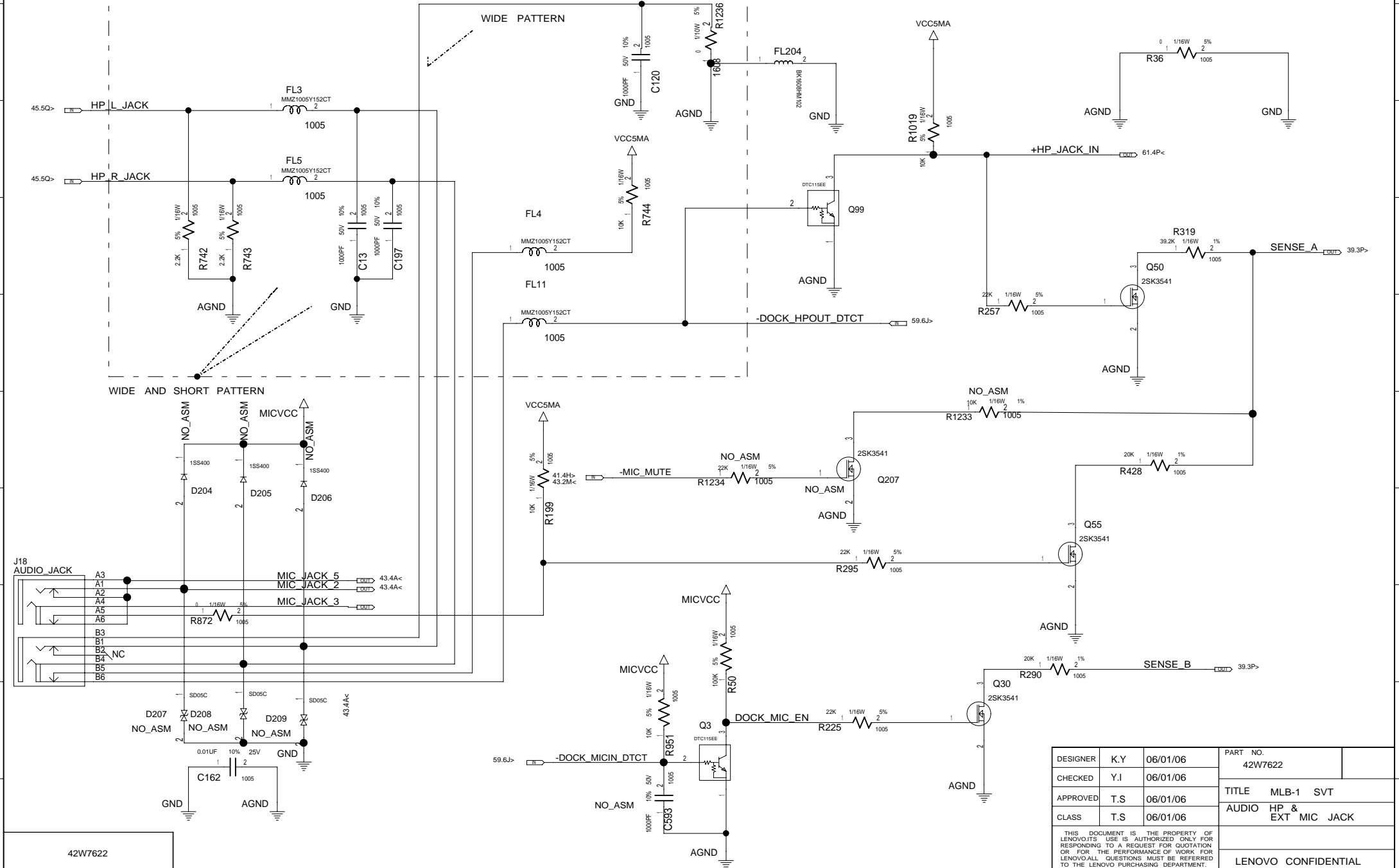


ALL PARTS MUST BE PLACED NEAR TO INTERNAL MICROPHONE

DESIGNER	K.Y	06/01/06	PART NO.	42W7622
CHECKED	Y.I	06/01/06		
APPROVED	T.S	06/01/06	TITLE MLB-1 SVT	
CLASS	T.S	06/01/06	AUDIO INT MIC	
THIS DOCUMENT IS THE PROPERTY OF LENOVO/ITS USE IS AUTHORIZED ONLY FOR RESPONDING TO A REQUEST FOR QUOTATION OR FOR THE PERFORMANCE OF WORK FOR LENOVO. ALL QUESTIONS MUST BE REFERRED TO THE LENOVO PURCHASING DEPARTMENT.				
LENOVO CONFIDENTIAL				

DATE	EC NO.	PART NO.
20061220	L11403	42W7622
		DEVELOPMENT NO.
		Q/M
		42 / 97

NEAR HEADPHONE CONN



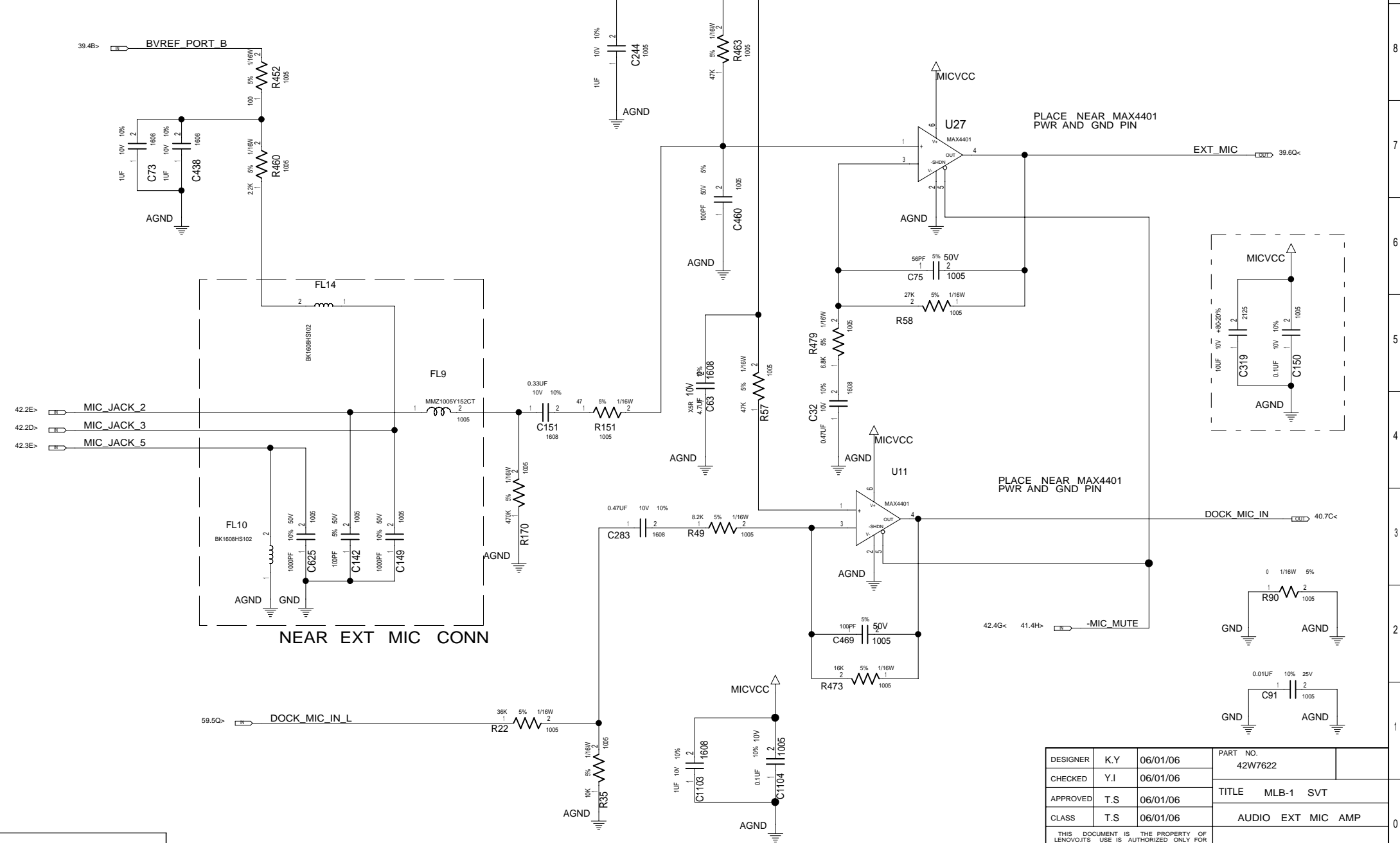
42W7622

DESIGNER	K.Y	06/01/06	PART NO.	42W7622
CHECKED	Y.I	06/01/06	TITLE	MLB-1 SVT
APPROVED	T.S	06/01/06	AUDIO HP &	EXT MIC JACK
CLASS	T.S	06/01/06	LENOVO CONFIDENTIAL	

THIS DOCUMENT IS THE PROPERTY OF LENOVO/ITS USE IS AUTHORIZED ONLY FOR RESPONDING TO A REQUEST FOR QUOTATION OR FOR THE PERFORMANCE OF WORK FOR LENOVO/ALL QUESTIONS MUST BE REFERRED TO THE LENOVO PURCHASING DEPARTMENT.

DATE	EC NO.	PART NO.
20061220	L11403	42W7622
DEVELOPMENT NO.		Q/M
		43 / 97

NEED NEW CDB



PLACE NEAR MAX4401 PWR AND GND PIN

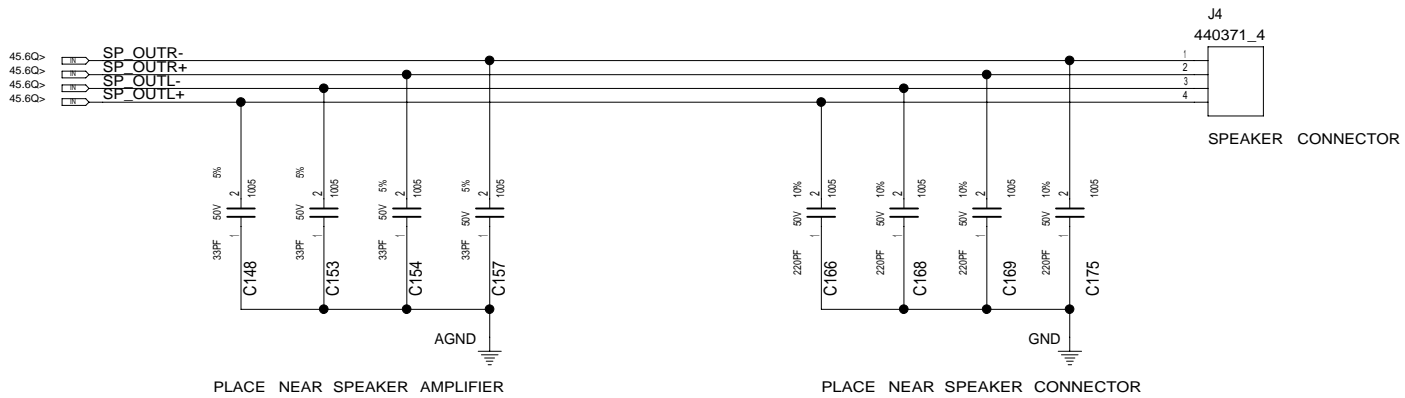
PLACE NEAR MAX4401 PWR AND GND PIN

NEAR EXT MIC CONN

DESIGNER	K.Y	06/01/06	PART NO.	42W7622
CHECKED	Y.I	06/01/06		
APPROVED	T.S	06/01/06	TITLE	MLB-1 SVT
CLASS	T.S	06/01/06	AUDIO EXT MIC AMP	
<p>THIS DOCUMENT IS THE PROPERTY OF LENOVO/ITS USE IS AUTHORIZED ONLY FOR RESPONDING TO A REQUEST FOR QUOTATION OR FOR THE PERFORMANCE OF WORK FOR LENOVO. ALL QUESTIONS MUST BE REFERRED TO THE LENOVO PURCHASING DEPARTMENT.</p>				
LENOVO CONFIDENTIAL				

A B C D E F G H J K L M N P Q

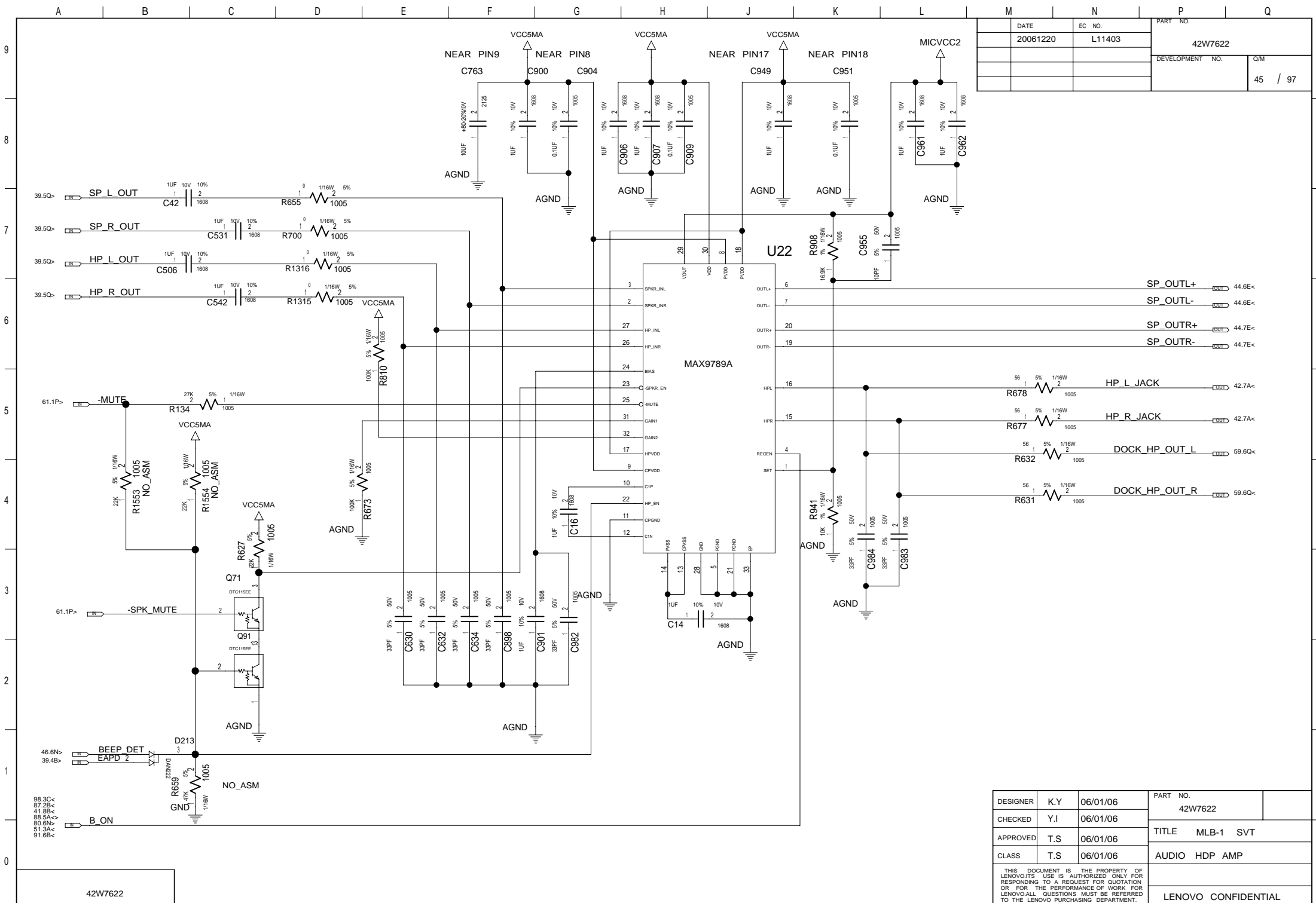
DATE	EC NO.	PART NO.	
20061220	L11403	42W7622	
		DEVELOPMENT NO.	Q/M
			44 / 97



42W7622

DESIGNER	K.Y	06/01/06	PART NO.	42W7622
CHECKED	Y.I	06/01/06	TITLE MLB-1 SVT	
APPROVED	T.S	06/01/06	AUDIO SPEAKER	
CLASS	T.S	06/01/06	LENOVO CONFIDENTIAL	
<small>THIS DOCUMENT IS THE PROPERTY OF LENOVO/ITS USE IS AUTHORIZED ONLY FOR RESPONDING TO A REQUEST FOR QUOTATION OR FOR THE PERFORMANCE OF WORK FOR LENOVO/ALL QUESTIONS MUST BE REFERRED TO THE LENOVO PURCHASING DEPARTMENT.</small>				

A B C D E F G H J K L M N P Q

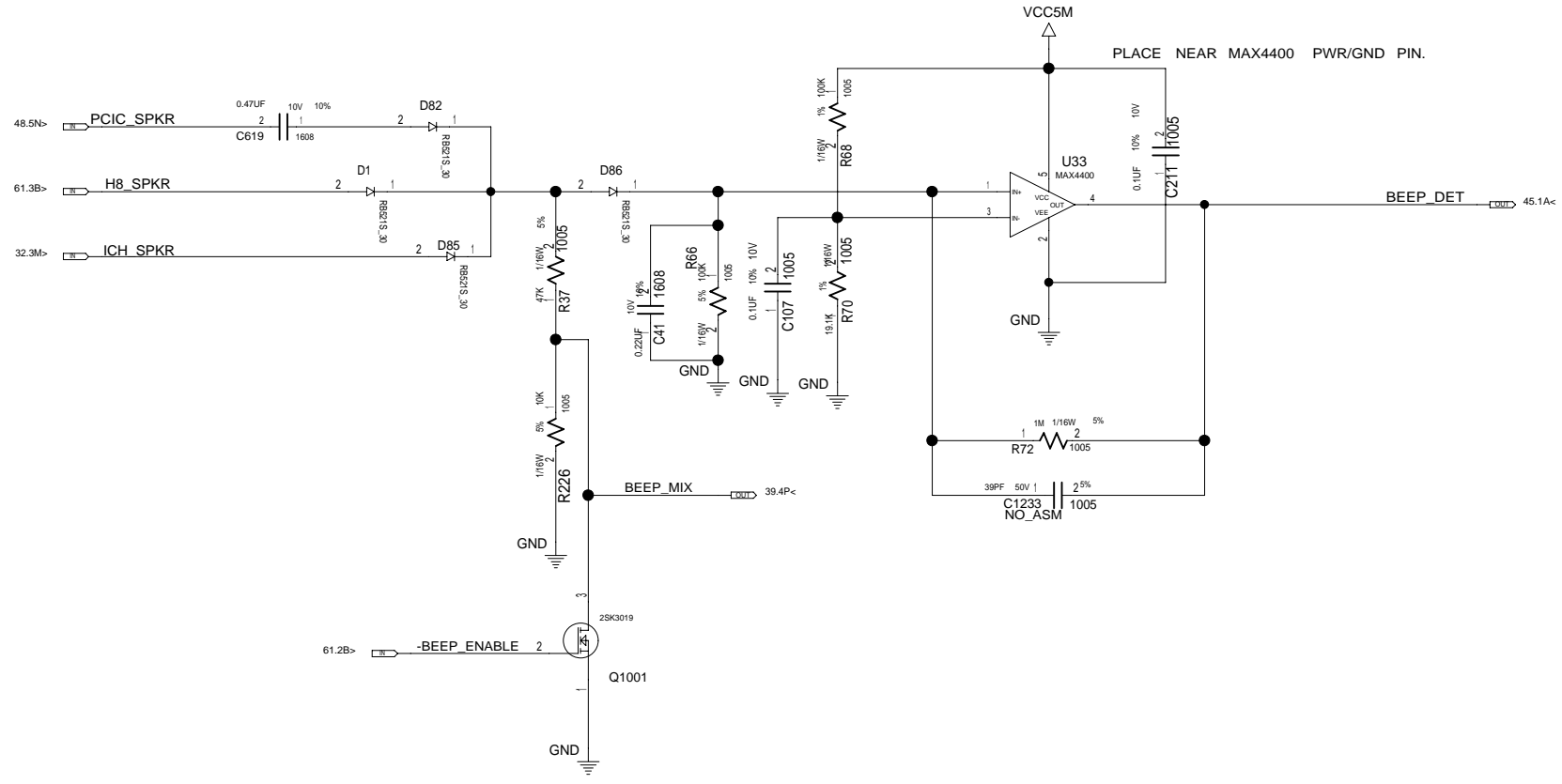


DATE	EC NO.	PART NO.
20061220	L11403	42W7622
DEVELOPMENT NO.		Q/M
		45 / 97

DESIGNER	K.Y	06/01/06	PART NO.	42W7622
CHECKED	Y.I	06/01/06	TITLE	MLB-1 SVT
APPROVED	T.S	06/01/06	CLASS	AUDIO HDP AMP
THIS DOCUMENT IS THE PROPERTY OF LENOVO/ITS USE IS AUTHORIZED ONLY FOR RESPONDING TO A REQUEST FOR QUOTATION OR FOR THE PERFORMANCE OF WORK FOR LENOVO/ALL QUESTIONS MUST BE REFERRED TO THE LENOVO PURCHASING DEPARTMENT.				LENOVO CONFIDENTIAL

42W7622

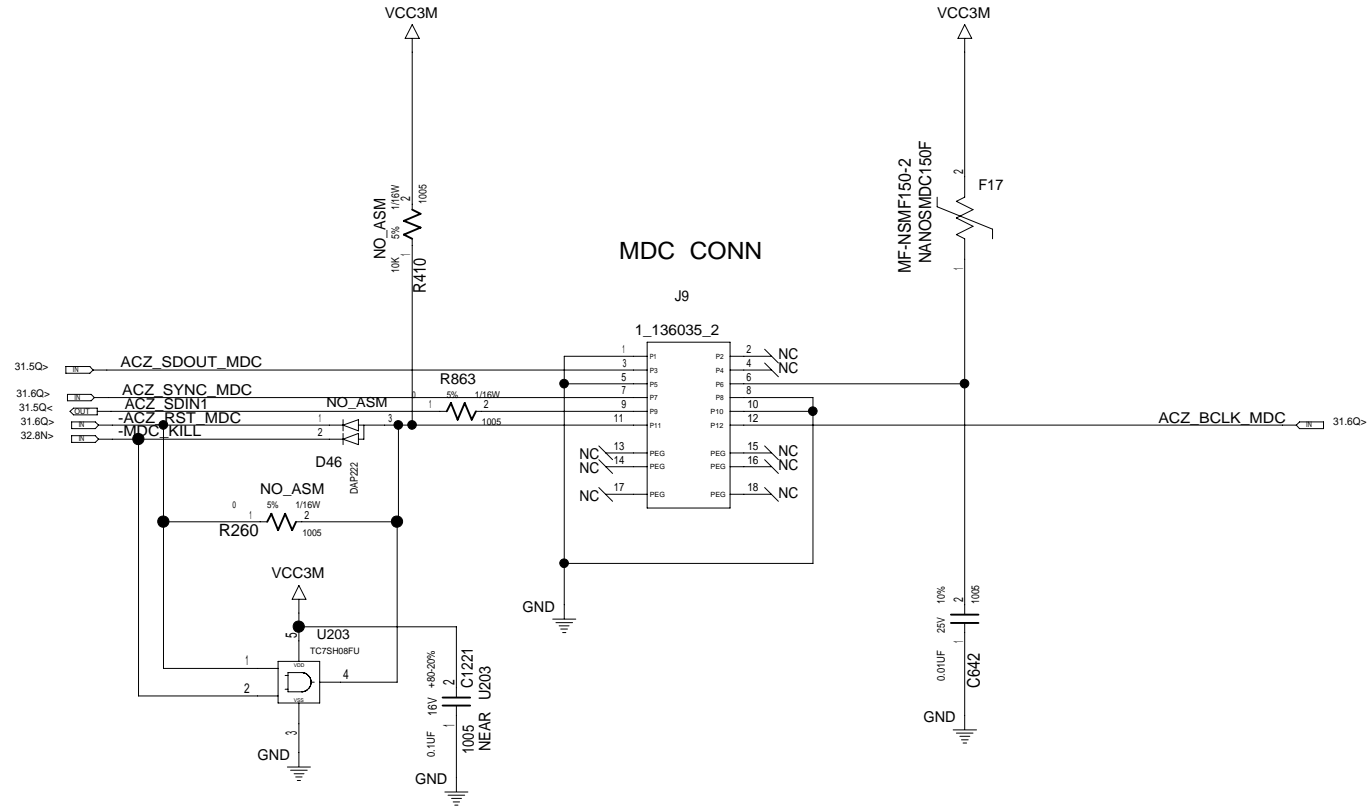
DATE	EC NO.	PART NO.	
20061220	L11403	42W7622	
		DEVELOPMENT NO.	Q/M
			46 / 97



42W7622

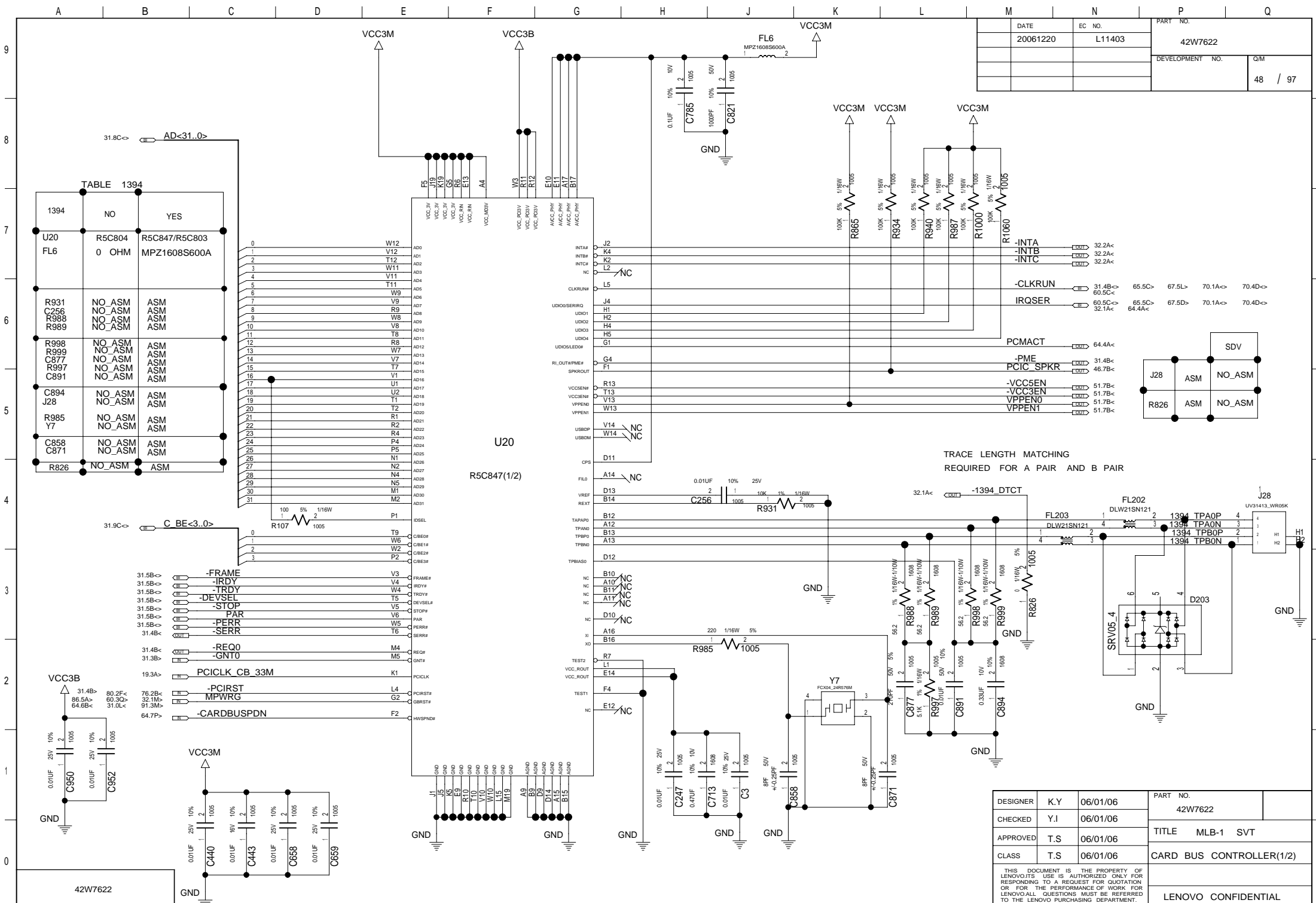
DESIGNER	K.Y	06/01/06	PART NO.	42W7622
CHECKED	Y.I	06/01/06	TITLE	MLB-1 SVT
APPROVED	T.S	06/01/06	CLASS	AUDIO HDP AMP MISC
CLASS	T.S	06/01/06	THIS DOCUMENT IS THE PROPERTY OF LENOVO/ITS USE IS AUTHORIZED ONLY FOR RESPONDING TO A REQUEST FOR QUOTATION OR FOR THE PERFORMANCE OF WORK FOR LENOVO. ALL QUESTIONS MUST BE REFERRED TO THE LENOVO PURCHASING DEPARTMENT.	
LENOVO CONFIDENTIAL				

DATE	EC NO.	PART NO.	
20061220	L11403	42W7622	
		DEVELOPMENT NO.	Q/M
			47 / 97



42W7622

DESIGNER	K.Y	06/01/06	PART NO.	42W7622
CHECKED	Y.I	06/01/06	TITLE MLB-1 SVT	
APPROVED	T.S	06/01/06	MDC 1.5 CONNECTOR	
CLASS	T.S	06/01/06	LENOVO CONFIDENTIAL	
<p>THIS DOCUMENT IS THE PROPERTY OF LENOVO. ITS USE IS AUTHORIZED ONLY FOR RESPONDING TO A REQUEST FOR QUOTATION OR FOR THE PERFORMANCE OF WORK FOR LENOVO. ALL QUESTIONS MUST BE REFERRED TO THE LENOVO PURCHASING DEPARTMENT.</p>				

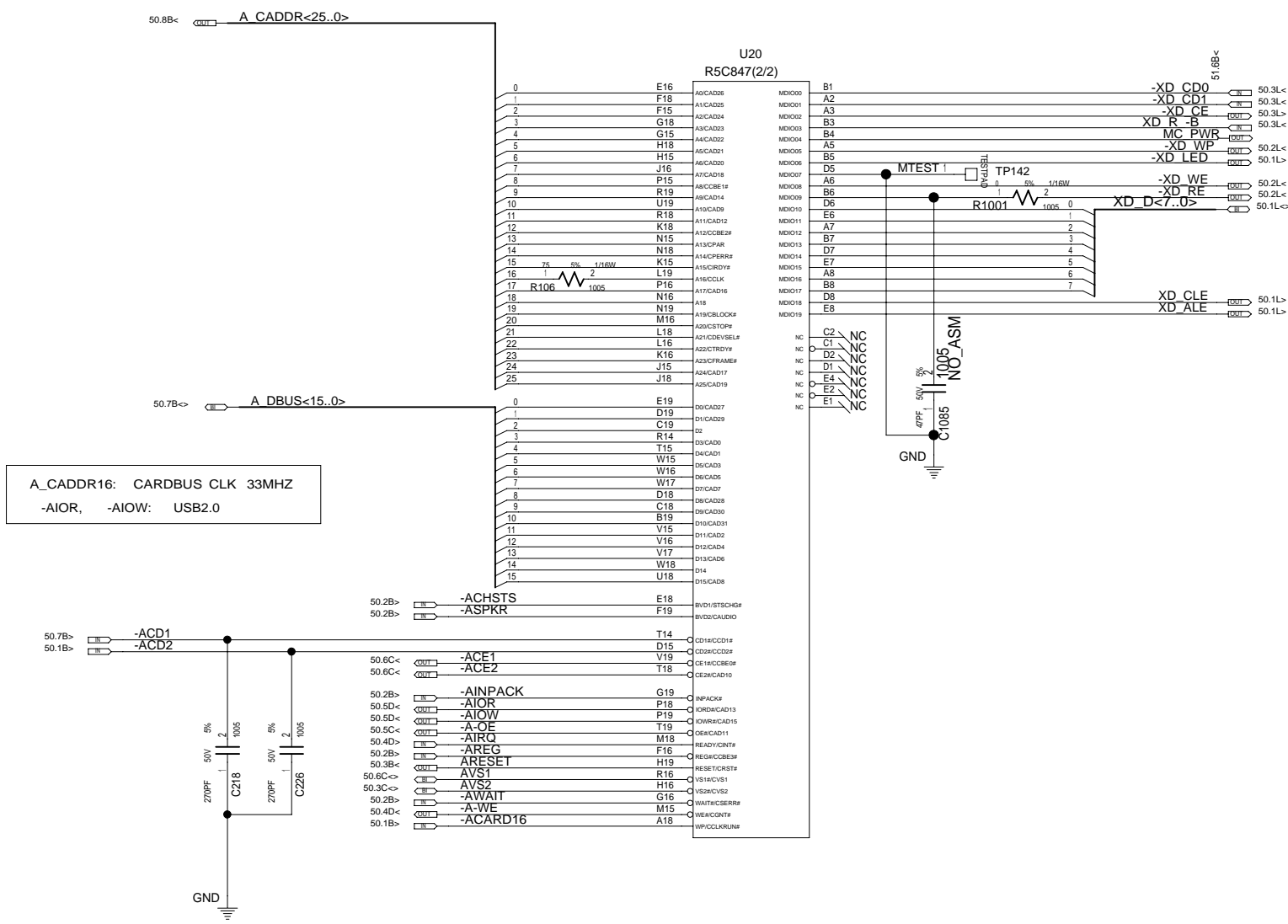


DATE	EC NO.	PART NO.
20061220	L11403	42W7622
DEVELOPMENT NO.		Q/M
		48 / 97

DESIGNER	K.Y	06/01/06	PART NO.	42W7622
CHECKED	Y.I	06/01/06	TITLE MLB-1 SVT	
APPROVED	T.S	06/01/06	CARD BUS CONTROLLER(1/2)	
CLASS	T.S	06/01/06	LENOVO CONFIDENTIAL	

THIS DOCUMENT IS THE PROPERTY OF LENOVO'S. USE IS AUTHORIZED ONLY FOR RESPONDING TO A REQUEST FOR QUOTATION OR FOR THE PERFORMANCE OF WORK FOR LENOVO. ALL QUESTIONS MUST BE REFERRED TO THE LENOVO PURCHASING DEPARTMENT.

DATE	EC NO.	PART NO.	
20061220	L11403	42W7622	
		DEVELOPMENT NO.	Q/M
			49 / 95



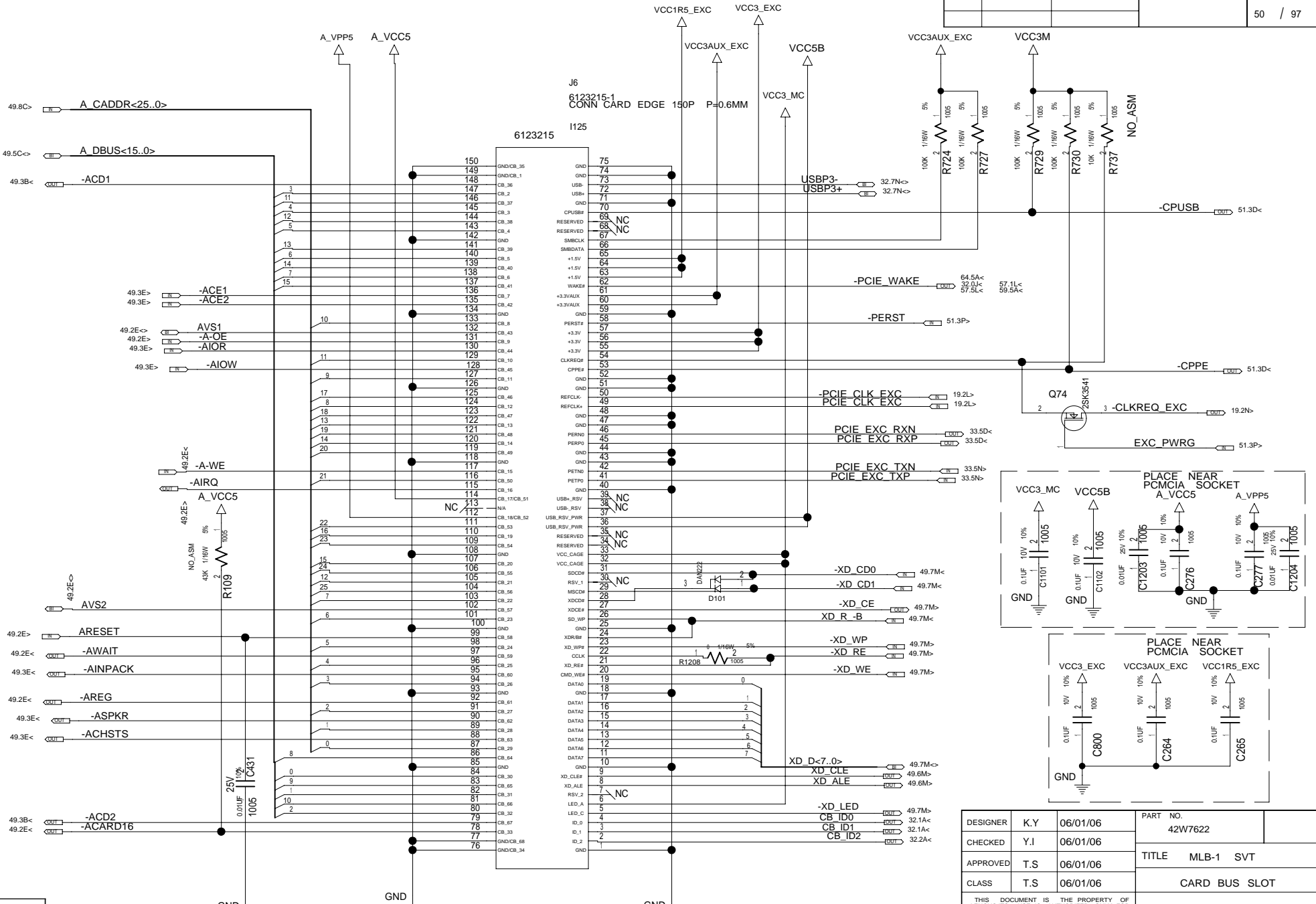
A_CADDR16: CARDBUS CLK 33MHZ
-AIOR, -AIOW: USB2.0

DESIGNER	K.Y	06/01/06	PART NO.	42W7622
CHECKED	Y.I	06/01/06	TITLE MLB-1 SVT	
APPROVED	T.S	06/01/06	CARD BUS CONTROLLER(2/2)	
CLASS	T.S	06/01/06	LENOVO CONFIDENTIAL	

THIS DOCUMENT IS THE PROPERTY OF LENOVO. ITS USE IS AUTHORIZED ONLY FOR RESPONDING TO A REQUEST FOR QUOTATION OR FOR THE PERFORMANCE OF WORK FOR LENOVO. ALL QUESTIONS MUST BE REFERRED TO THE LENOVO PURCHASING DEPARTMENT.

A B C D E F G H J K L M N P Q

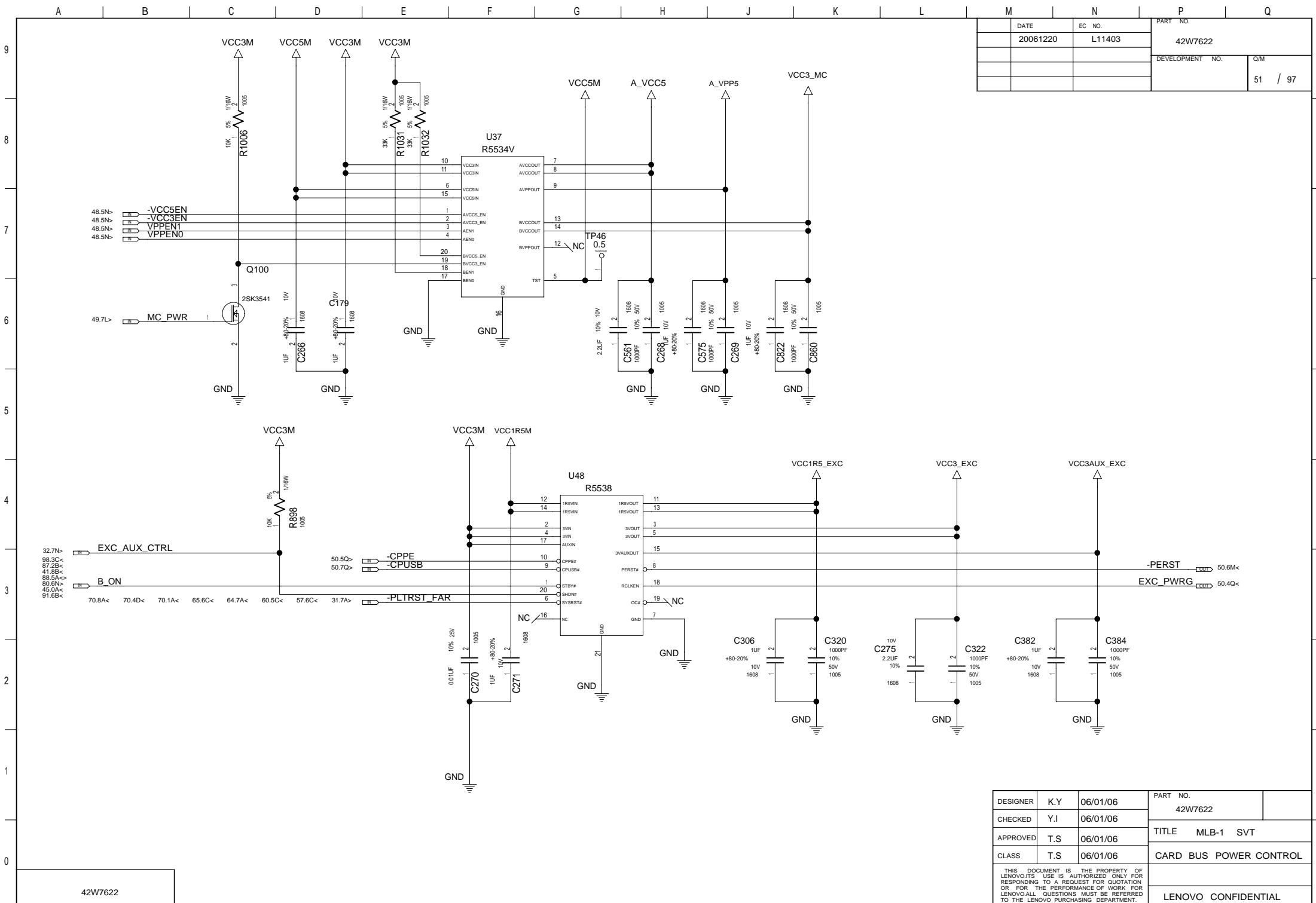
DATE	20061220	EC NO.	L11403	PART NO.	42W7622
DEVELOPMENT NO.				Q/M	50 / 97



DESIGNER	K.Y	06/01/06	PART NO.	42W7622
CHECKED	Y.I	06/01/06	TITLE	MLB-1 SVT
APPROVED	T.S	06/01/06	CLASS	CARD BUS SLOT
CLASS	T.S	06/01/06	LENOVO CONFIDENTIAL	

THIS DOCUMENT IS THE PROPERTY OF LENOVO/ITS USE IS AUTHORIZED ONLY FOR RESPONDING TO A REQUEST FOR QUOTATION OR FOR THE PERFORMANCE OF WORK FOR LENOVO. ALL QUESTIONS MUST BE REFERRED TO THE LENOVO PURCHASING DEPARTMENT.

A B C D E F G H J K L M N P Q

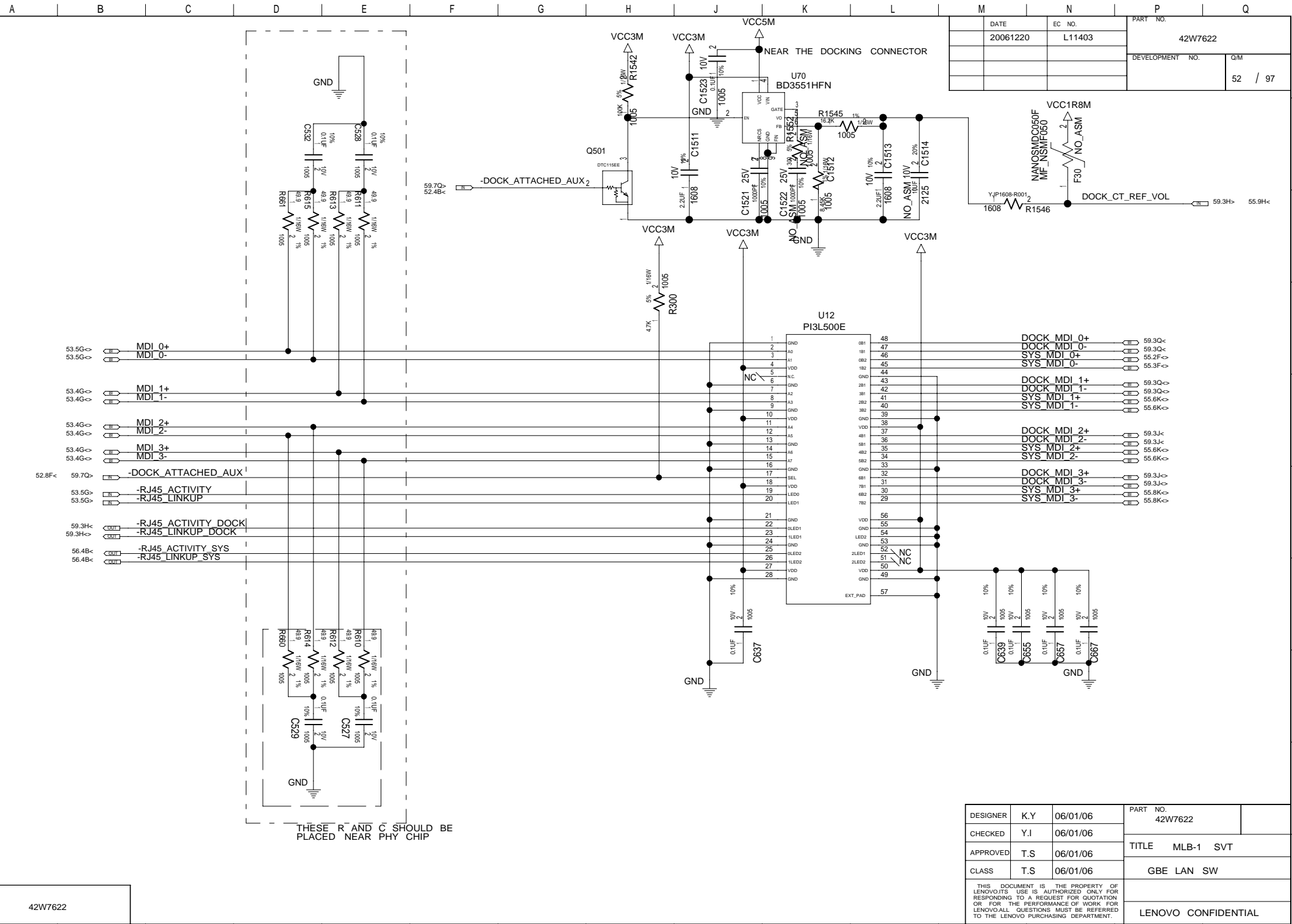


DATE	EC NO.	PART NO.	
20061220	L11403	42W7622	
		DEVELOPMENT NO.	Q/M
			51 / 97

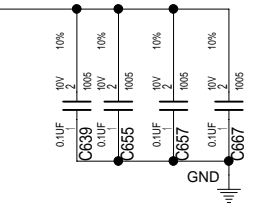
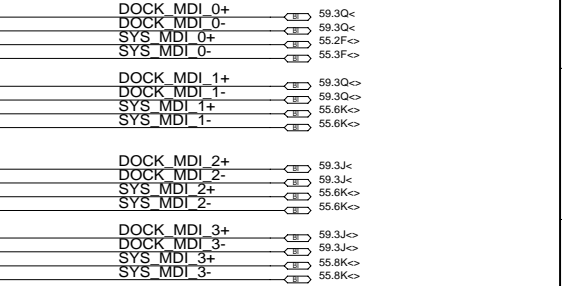
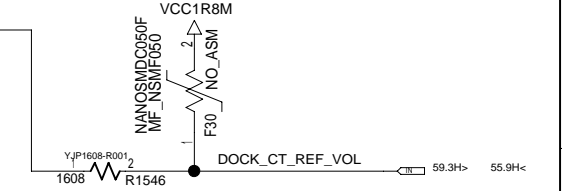
42W7622

DESIGNER	K.Y	06/01/06	PART NO.	42W7622
CHECKED	Y.I	06/01/06	TITLE MLB-1 SVT	
APPROVED	T.S	06/01/06	CARD BUS POWER CONTROL	
CLASS	T.S	06/01/06	LENOVO CONFIDENTIAL	

THIS DOCUMENT IS THE PROPERTY OF LENOVO/ITS USE IS AUTHORIZED ONLY FOR RESPONDING TO A REQUEST FOR QUOTATION OR FOR THE PERFORMANCE OF WORK FOR LENOVO/ALL QUESTIONS MUST BE REFERRED TO THE LENOVO PURCHASING DEPARTMENT.

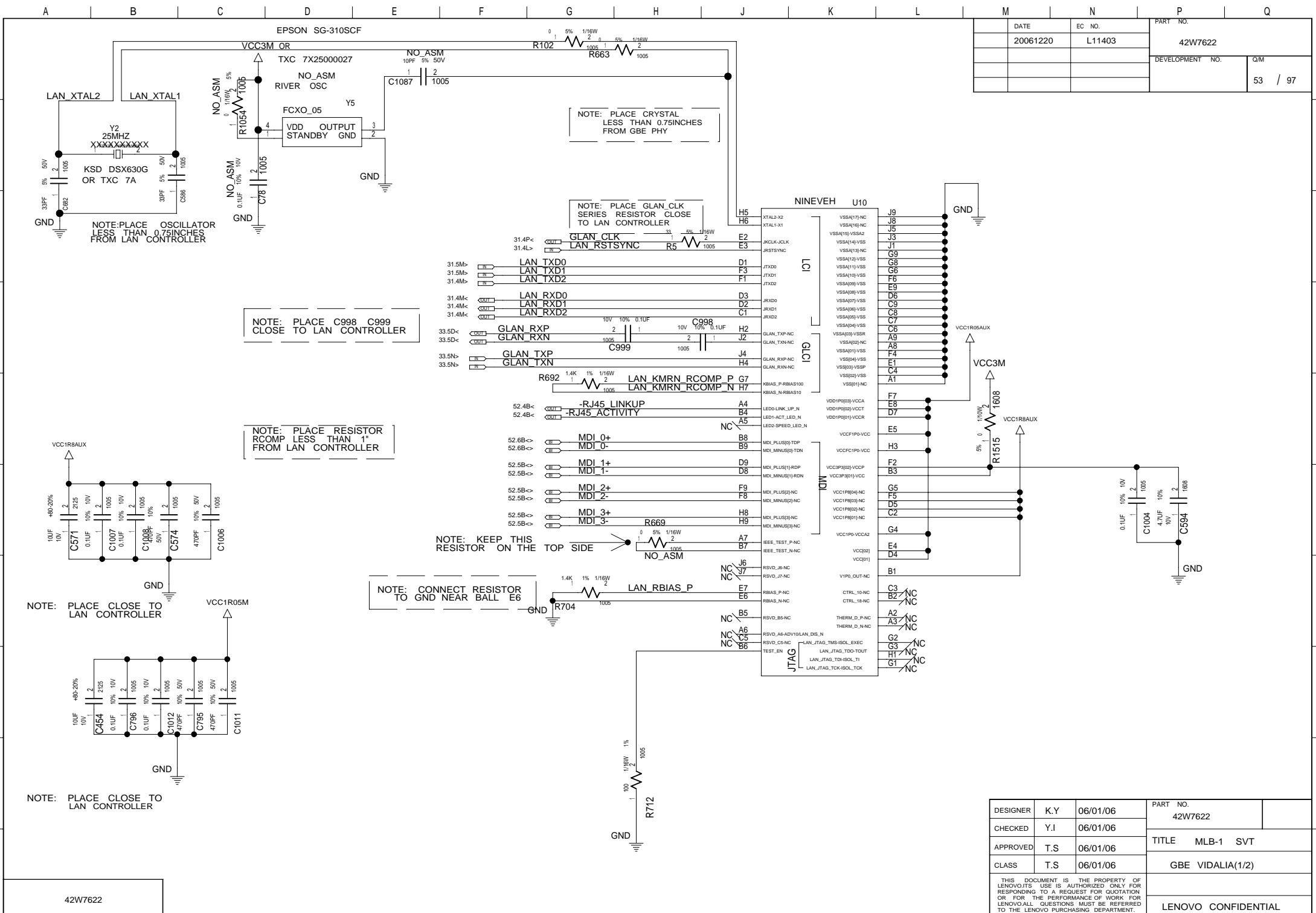


DATE	EC NO.	PART NO.
20061220	L11403	42W7622
		DEVELOPMENT NO.
		52 / 97



THESE R AND C SHOULD BE PLACED NEAR PHY CHIP

DESIGNER	K.Y	06/01/06	PART NO.	42W7622
CHECKED	Y.I	06/01/06	TITLE	MLB-1 SVT
APPROVED	T.S	06/01/06	CLASS	GBE LAN SW
CLASS	T.S	06/01/06	THIS DOCUMENT IS THE PROPERTY OF LENOVO. ITS USE IS AUTHORIZED ONLY FOR RESPONDING TO A REQUEST FOR QUOTATION OR FOR THE PERFORMANCE OF WORK FOR LENOVO. ALL QUESTIONS MUST BE REFERRED TO THE LENOVO PURCHASING DEPARTMENT.	
				LENOVO CONFIDENTIAL



DATE	EC NO.	PART NO.
20061220	L11403	42W7622
		DEVELOPMENT NO.
		Q/M
		53 / 97

DESIGNER	K.Y	06/01/06	PART NO.	42W7622
CHECKED	Y.I	06/01/06	TITLE	MLB-1 SVT
APPROVED	T.S	06/01/06	CLASS	GBE VIDALIA(1/2)
CLASS	T.S	06/01/06	THIS DOCUMENT IS THE PROPERTY OF LENOVO/ITS USE IS AUTHORIZED ONLY FOR RESPONDING TO A REQUEST FOR QUOTATION OR FOR THE PERFORMANCE OF WORK FOR LENOVO/ALL QUESTIONS MUST BE REFERRED TO THE LENOVO PURCHASING DEPARTMENT.	
				LENOVO CONFIDENTIAL

BLANK PAGE

	DATE	EC NO.	PART NO.	
	20061220	L11403	42W7622	
			DEVELOPMENT NO.	Q/M
				54 / 97

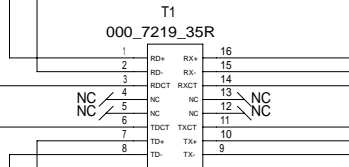
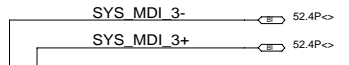
42W7622

DESIGNER	K.Y	06/01/06	PART NO.	42W7622
CHECKED	Y.I	06/01/06	TITLE MLB-1 SVT	
APPROVED	T.S	06/01/06	BLANK PAGE	
CLASS	T.S	06/01/06	LENOVO CONFIDENTIAL	
<small>THIS DOCUMENT IS THE PROPERTY OF LENOVO/ITS USE IS AUTHORIZED ONLY FOR RESPONDING TO A REQUEST FOR QUOTATION OR FOR THE PERFORMANCE OF WORK FOR LENOVO/ALL QUESTIONS MUST BE REFERRED TO THE LENOVO PURCHASING DEPARTMENT.</small>				

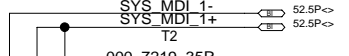
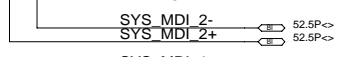
DATE	EC NO.	PART NO.
20061220	L11403	42W7622
DEVELOPMENT NO.		Q/M
		55 / 97



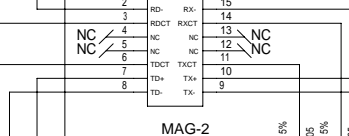
THE WIDTH OF THESE TRACE SHOULD BE WIDER THAN 35MIL TO PREVENT VOLTAGE DROP.



PULSE H0068A(NL) OR MIDCOM 000-7219-35R



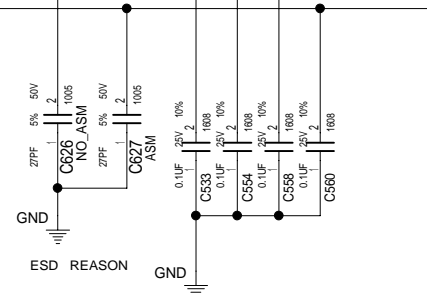
PULSE H0068A(NL) OR MIDCOM 000-7219-35R



PULSE H0068A(NL) OR MIDCOM 000-7219-35R

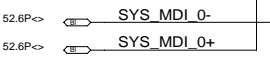


PULSE H0068A(NL) OR MIDCOM 000-7219-35R

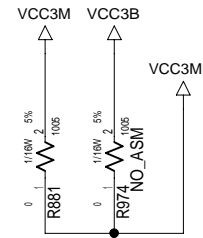
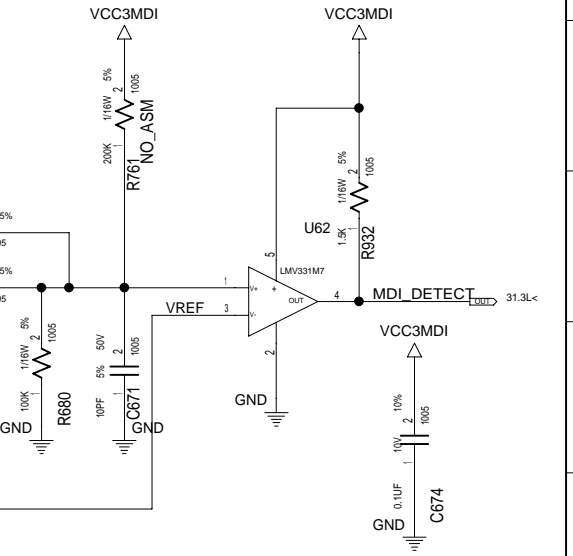


ESD REASON

HIGH VOLTAGE CAP IS OPTIONAL

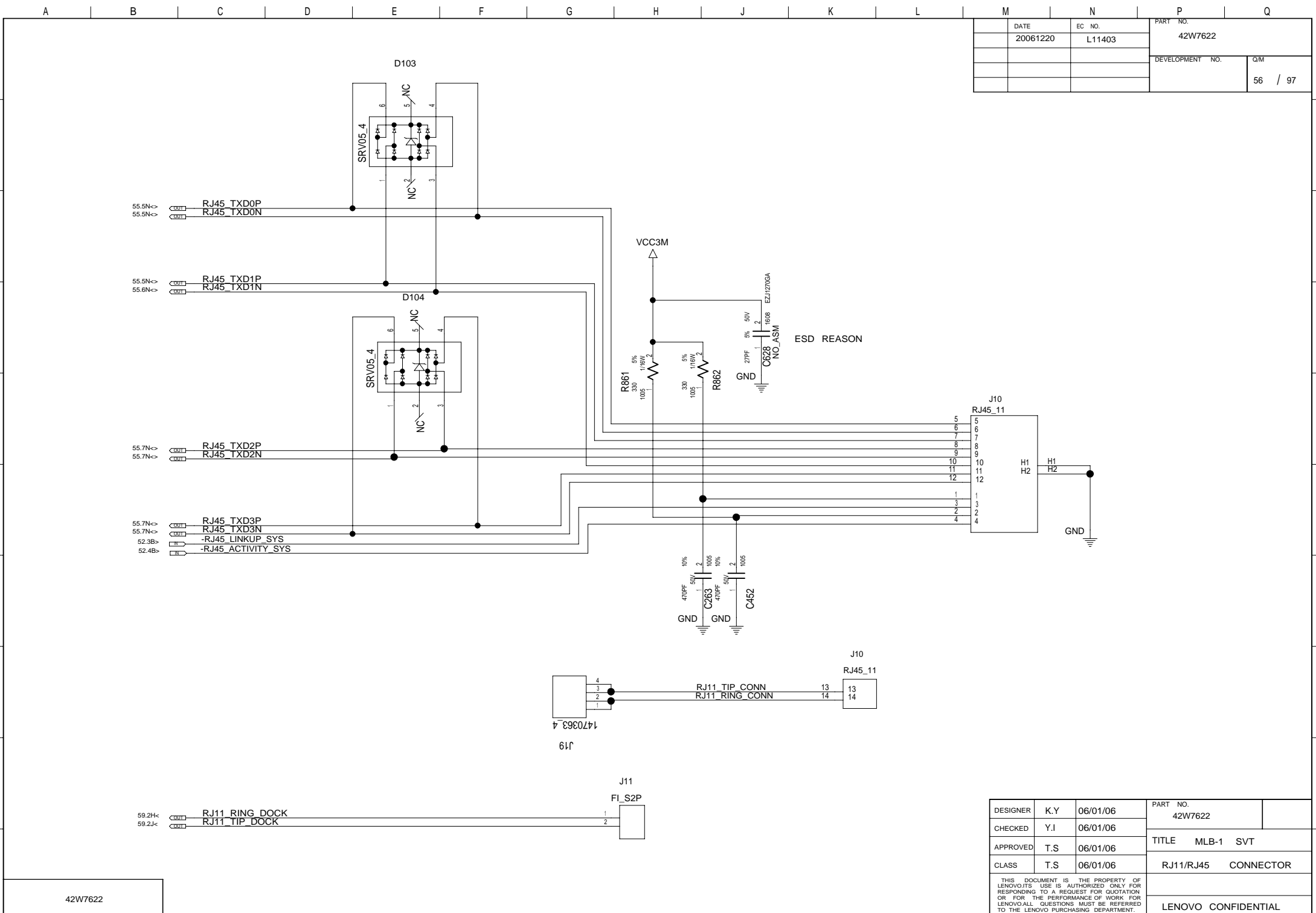


PLEASE MINIMIZE STUBS POSSIBLE. LESS THAN 50MIL.



DESIGNER	K.Y	06/01/06	PART NO.	42W7622
CHECKED	Y.I	06/01/06	TITLE	MLB-1 SVT
APPROVED	T.S	06/01/06	GBE MAGNETICS	
CLASS	T.S	06/01/06	LENOVO CONFIDENTIAL	

THIS DOCUMENT IS THE PROPERTY OF LENOVO. IT IS AUTHORIZED ONLY FOR RESPONDING TO A REQUEST FOR QUOTATION OR FOR THE PERFORMANCE OF WORK FOR LENOVO. ALL QUESTIONS MUST BE REFERRED TO THE LENOVO PURCHASING DEPARTMENT.



DATE	EC NO.	PART NO.	
20061220	L11403	42W7622	
		DEVELOPMENT NO.	Q/M
			56 / 97

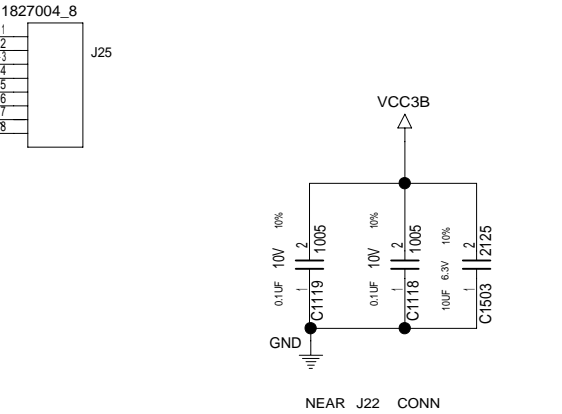
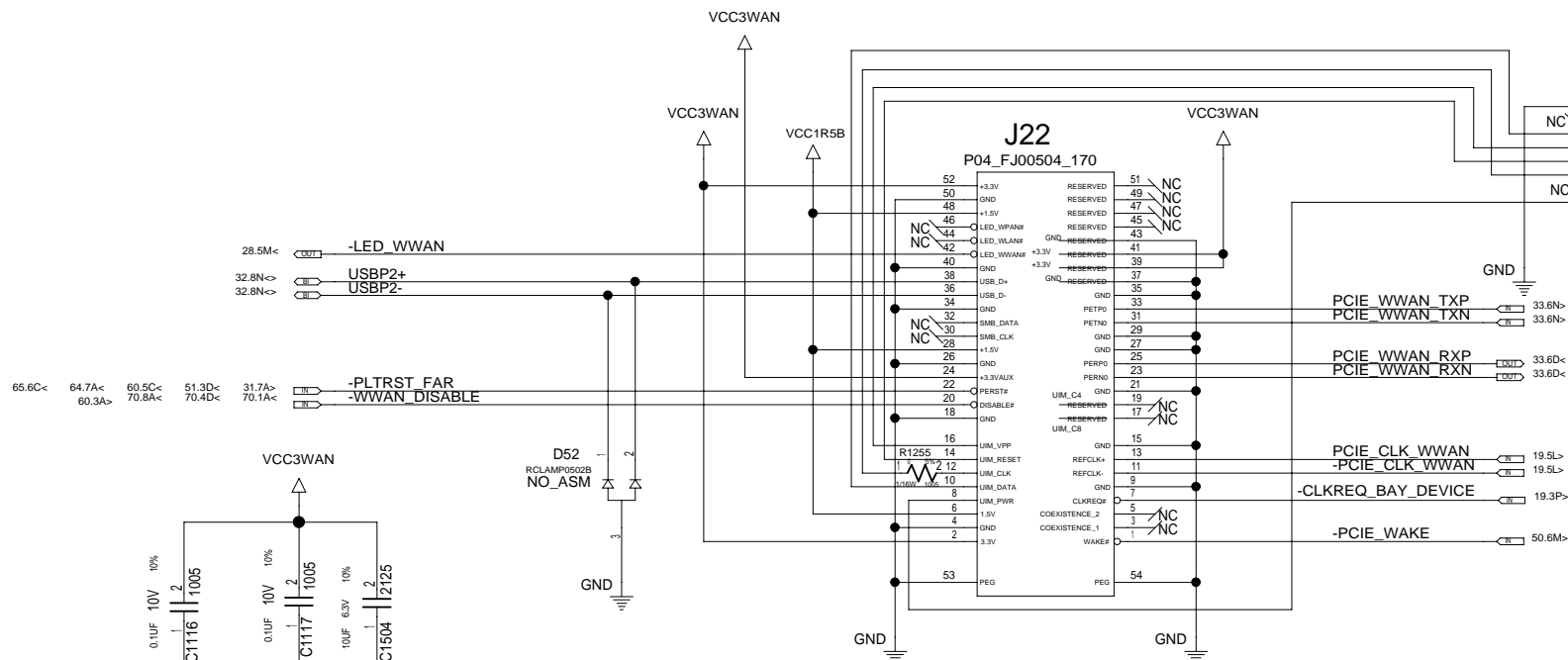
DESIGNER	K.Y	06/01/06	PART NO.	42W7622
CHECKED	Y.I	06/01/06	TITLE MLB-1 SVT	
APPROVED	T.S	06/01/06	RJ11/RJ45 CONNECTOR	
CLASS	T.S	06/01/06	LENOVO CONFIDENTIAL	

THIS DOCUMENT IS THE PROPERTY OF LENOVO/ITS USE IS AUTHORIZED ONLY FOR RESPONDING TO A REQUEST FOR QUOTATION OR FOR THE PERFORMANCE OF WORK FOR LENOVO/ALL QUESTIONS MUST BE REFERRED TO THE LENOVO PURCHASING DEPARTMENT.

42W7622

MINI PCIE CONN-1 FOR WWAN

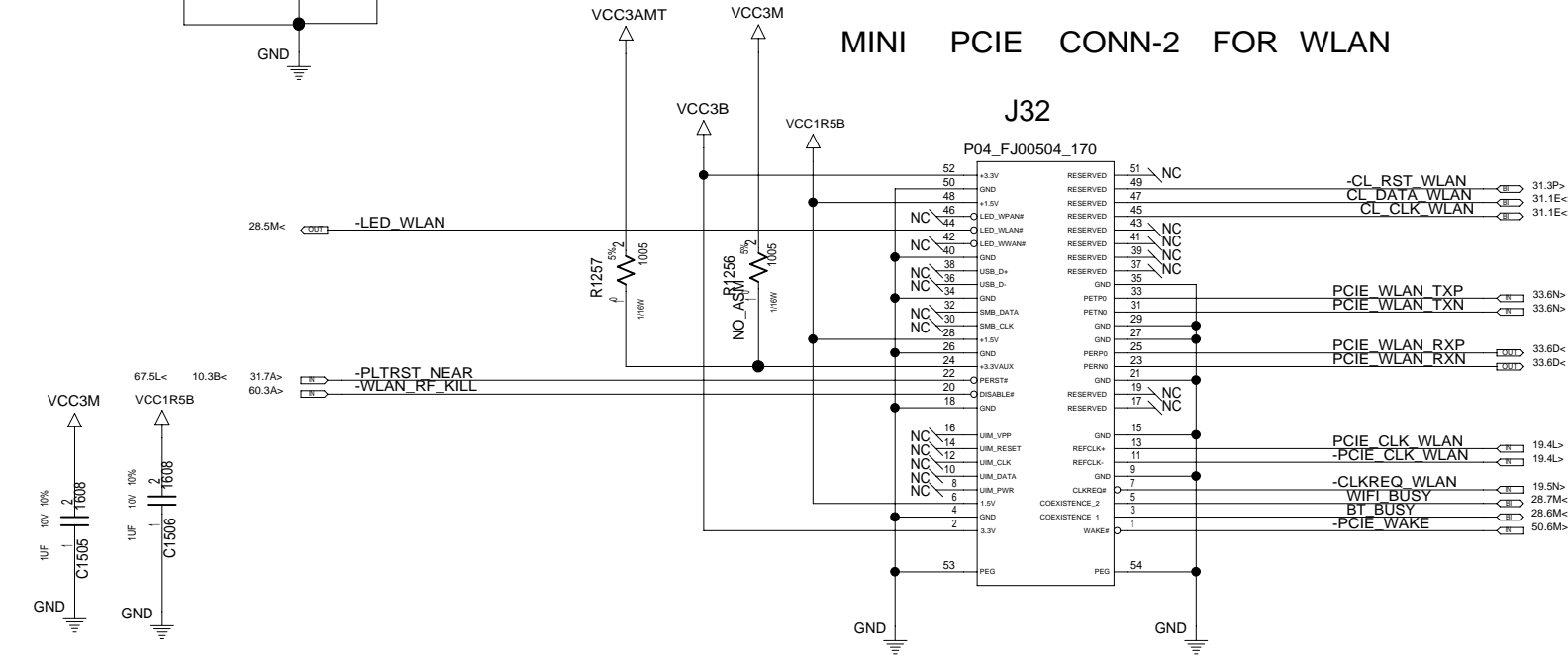
DATE	EC NO.	PART NO.
20061220	L11403	42W7622
DEVELOPMENT NO.		Q/M
		57 / 97



J22	ASM	NO_ASM
J25	ASM	NO_ASM

LOGIC

MINI PCIE CONN-2 FOR WLAN



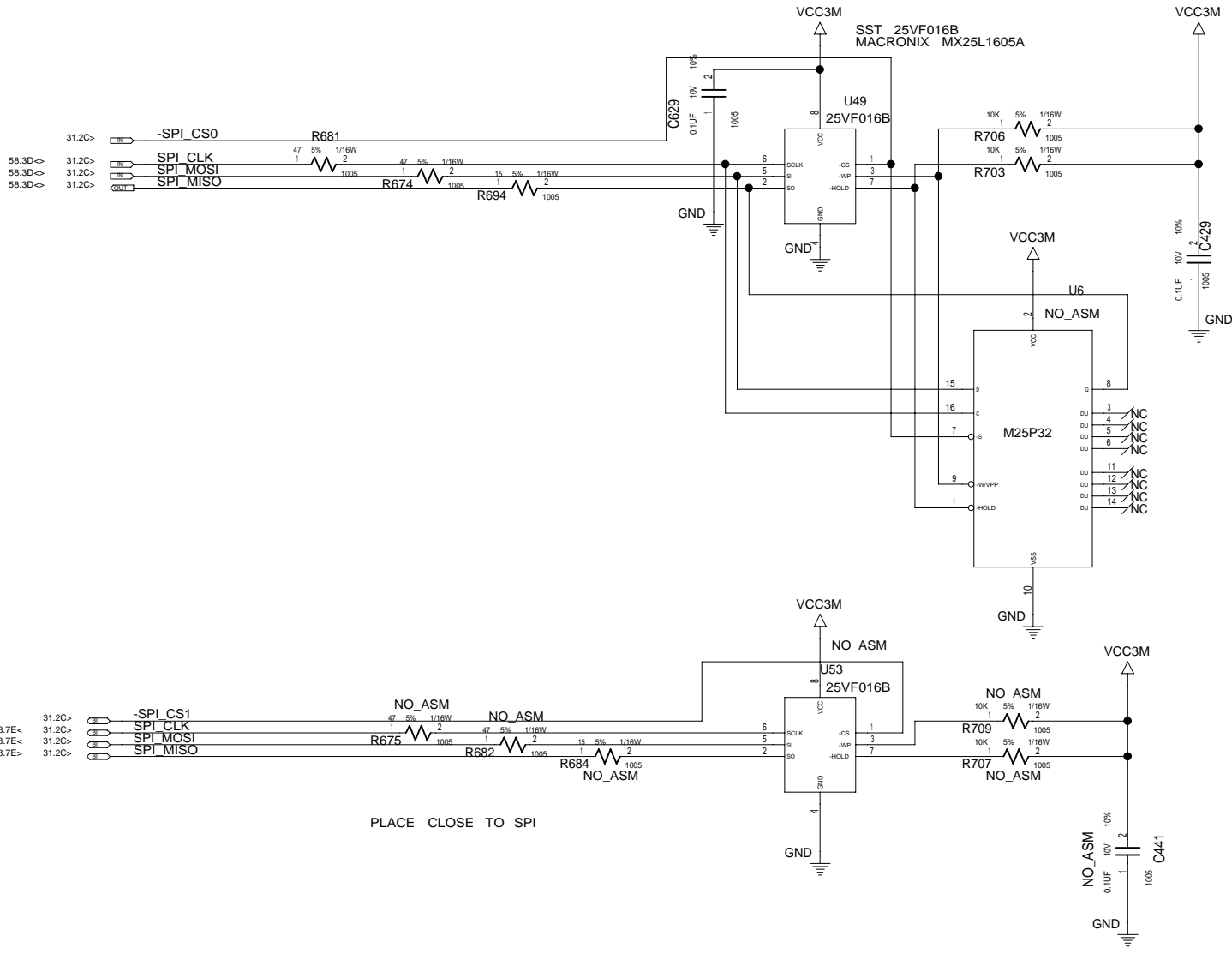
DESIGNER	K.Y	06/01/06	PART NO.	42W7622
CHECKED	Y.I	06/01/06		
APPROVED	T.S	06/01/06	TITLE MLB-1 SVT	
CLASS	T.S	06/01/06	MINI PCIE SLOT	

THIS DOCUMENT IS THE PROPERTY OF LENOVO. ITS USE IS AUTHORIZED ONLY FOR RESPONDING TO A REQUEST FOR QUOTATION OR FOR THE PERFORMANCE OF WORK FOR LENOVO. ALL QUESTIONS MUST BE REFERRED TO THE LENOVO PURCHASING DEPARTMENT.

LENOVO CONFIDENTIAL

A B C D E F G H J K L M N P Q

DATE	EC NO.	PART NO.	
20061220	L11403	42W7622	
		DEVELOPMENT NO.	Q/M
			58 / 97



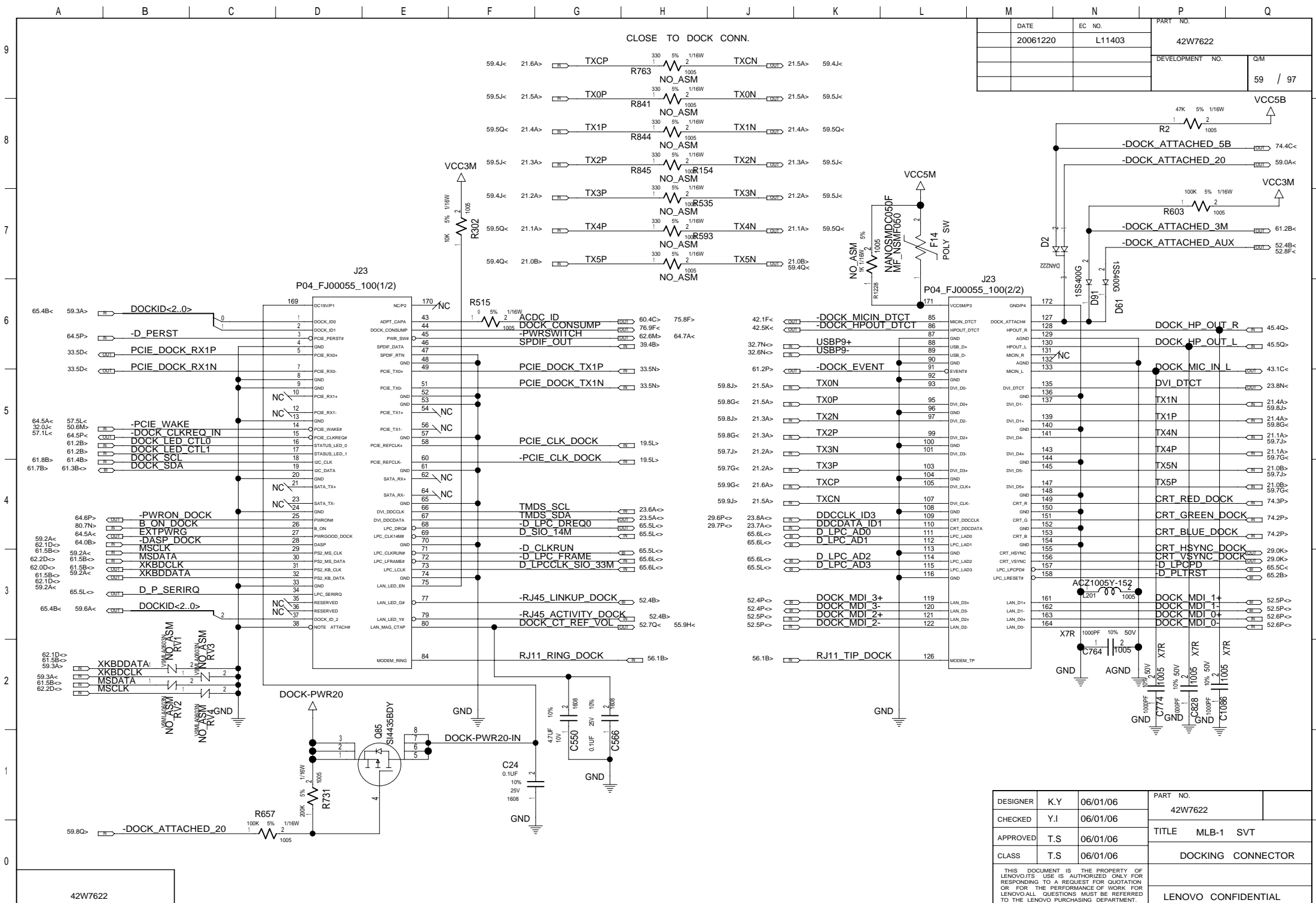
PLACE CLOSE TO SPI

DESIGNER	K.Y	06/01/06	PART NO.	42W7622
CHECKED	Y.I	06/01/06	TITLE	MLB-1 SVT
APPROVED	T.S	06/01/06	CLASS	EEPROM/FLASH/SHARED
CLASS	T.S	06/01/06		

THIS DOCUMENT IS THE PROPERTY OF LENOVO/ITS USE IS AUTHORIZED ONLY FOR RESPONDING TO A REQUEST FOR QUOTATION OR FOR THE PERFORMANCE OF WORK FOR LENOVO/ALL QUESTIONS MUST BE REFERRED TO THE LENOVO PURCHASING DEPARTMENT.

LENOVO CONFIDENTIAL

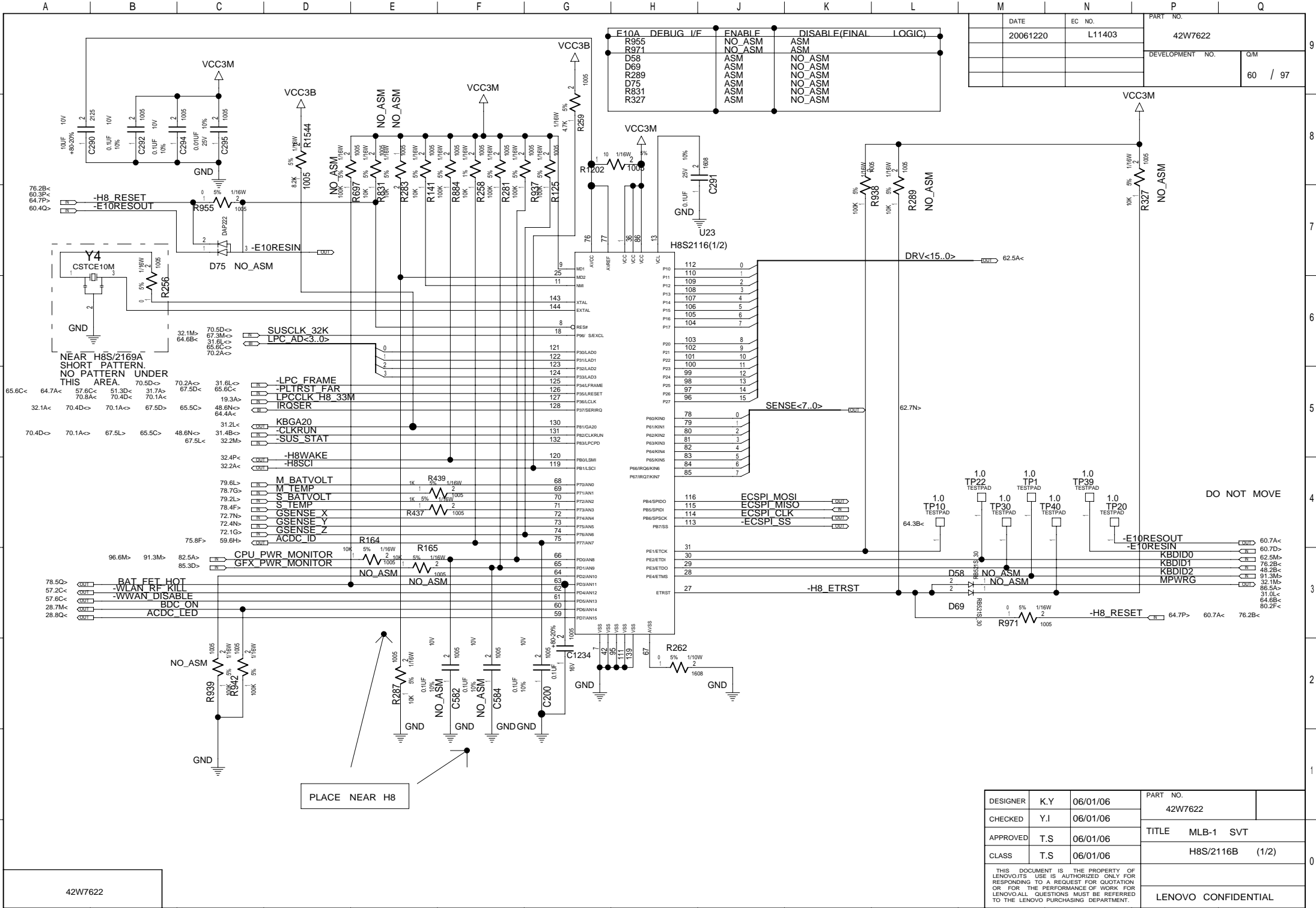
A B C D E F G H J K L M N P Q



DATE	EC NO.	PART NO.
20061220	L11403	42W7622
DEVELOPMENT NO.		Q/M
		59 / 97

DESIGNER	K.Y	06/01/06	PART NO.	42W7622
CHECKED	Y.I	06/01/06	TITLE	MLB-1 SVT
APPROVED	T.S	06/01/06	DOCKING CONNECTOR	
CLASS	T.S	06/01/06	LENOVO CONFIDENTIAL	

THIS DOCUMENT IS THE PROPERTY OF LENOVO. ITS USE IS AUTHORIZED ONLY FOR RESPONDING TO A REQUEST FOR QUOTATION OR FOR THE PERFORMANCE OF WORK FOR LENOVO. ALL QUESTIONS MUST BE REFERRED TO THE LENOVO PURCHASING DEPARTMENT.

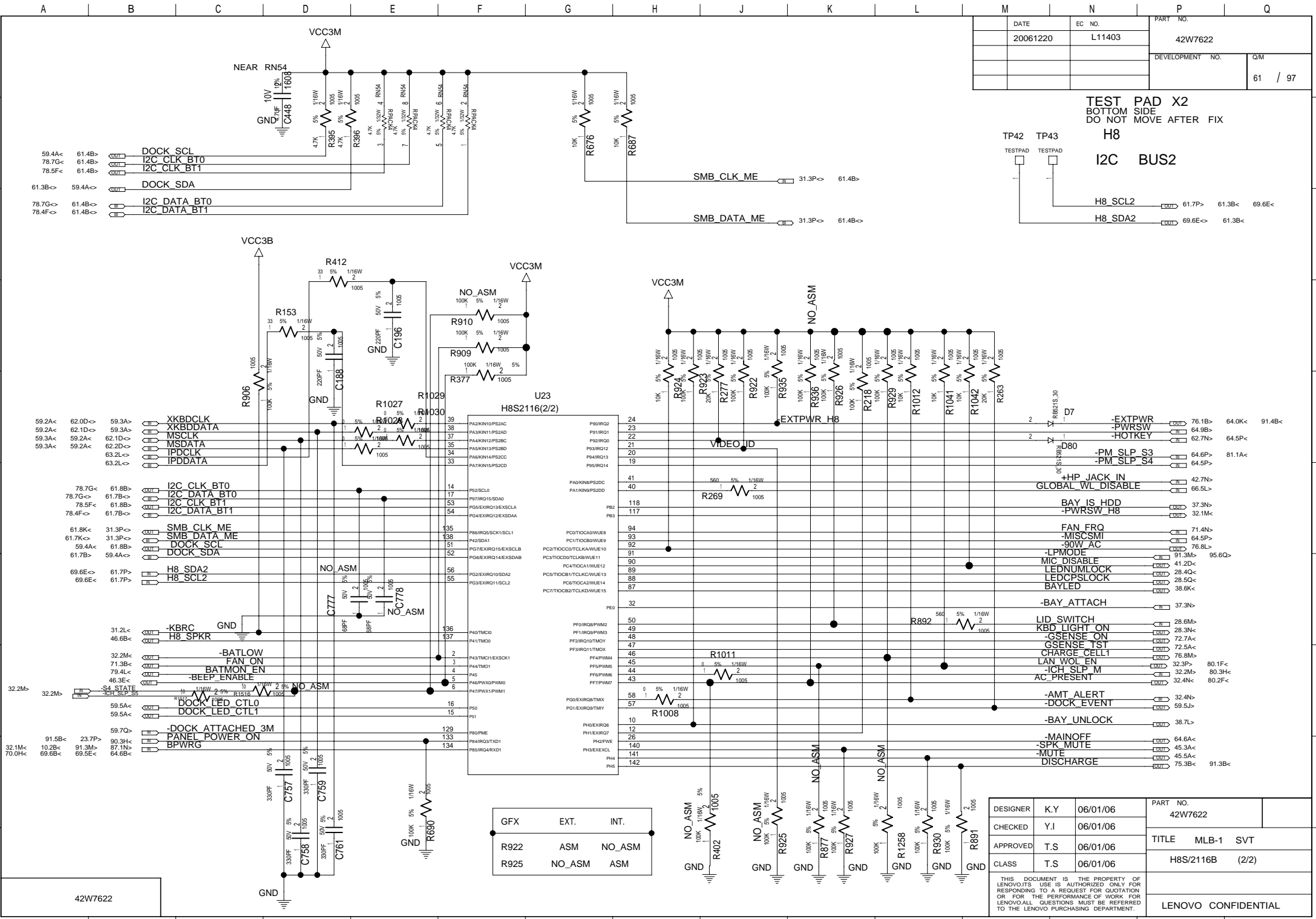


DATE	EC NO.	PART NO.
20061220	L11403	42W7622
DEVELOPMENT NO.		Q/M
		60 / 97

DESIGNER	K.Y	06/01/06	PART NO.
CHECKED	Y.I	06/01/06	42W7622
APPROVED	T.S	06/01/06	TITLE
CLASS	T.S	06/01/06	H8S/2116B (1/2)

THIS DOCUMENT IS THE PROPERTY OF LENOVO. ITS USE IS AUTHORIZED ONLY FOR RESPONDING TO A REQUEST FOR QUOTATION OR FOR THE PERFORMANCE OF WORK FOR LENOVO. ALL QUESTIONS MUST BE REFERRED TO THE LENOVO PURCHASING DEPARTMENT.

LENOVO CONFIDENTIAL



DATE	EC NO.	PART NO.
20061220	L11403	42W7622
DEVELOPMENT NO.		Q/M
		61 / 97

TEST PAD X2
BOTTOM SIDE
DO NOT MOVE AFTER FIX

H8
I2C BUS2



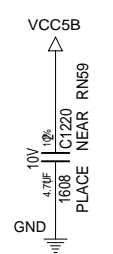
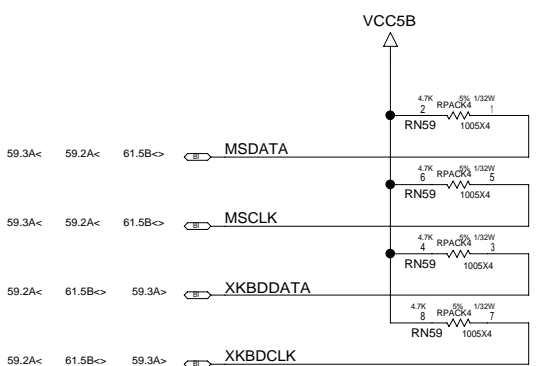
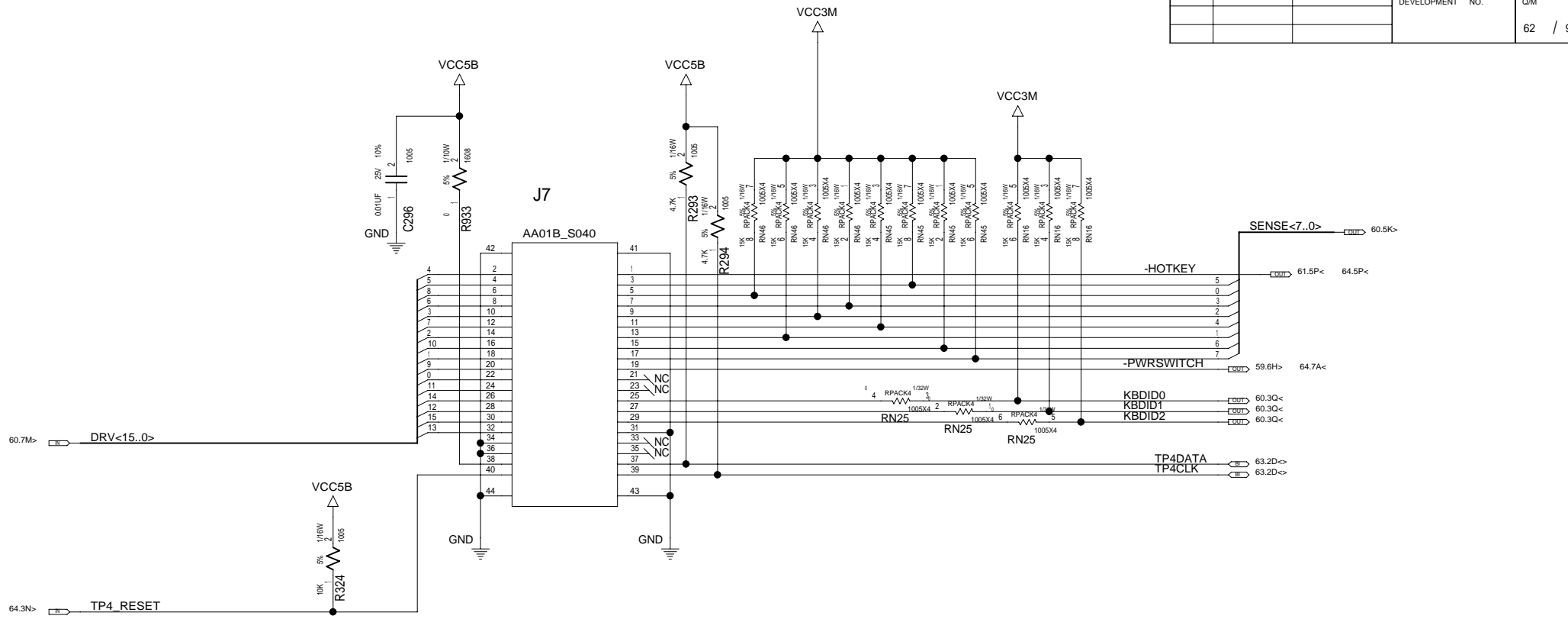
	GFX	EXT.	INT.
R922	ASM	NO_ASM	
R925	NO_ASM	ASM	

DESIGNER	K.Y	06/01/06	PART NO.	42W7622
CHECKED	Y.I	06/01/06	TITLE	MLB-1 SVT
APPROVED	T.S	06/01/06	H8S2116B	(2/2)
CLASS	T.S	06/01/06		

THIS DOCUMENT IS THE PROPERTY OF LENOVO/ITS USE IS AUTHORIZED ONLY FOR RESPONDING TO A REQUEST FOR QUOTATION OR FOR THE PERFORMANCE OF WORK FOR LENOVO. ALL QUESTIONS MUST BE REFERRED TO THE LENOVO PURCHASING DEPARTMENT.

LENOVO CONFIDENTIAL

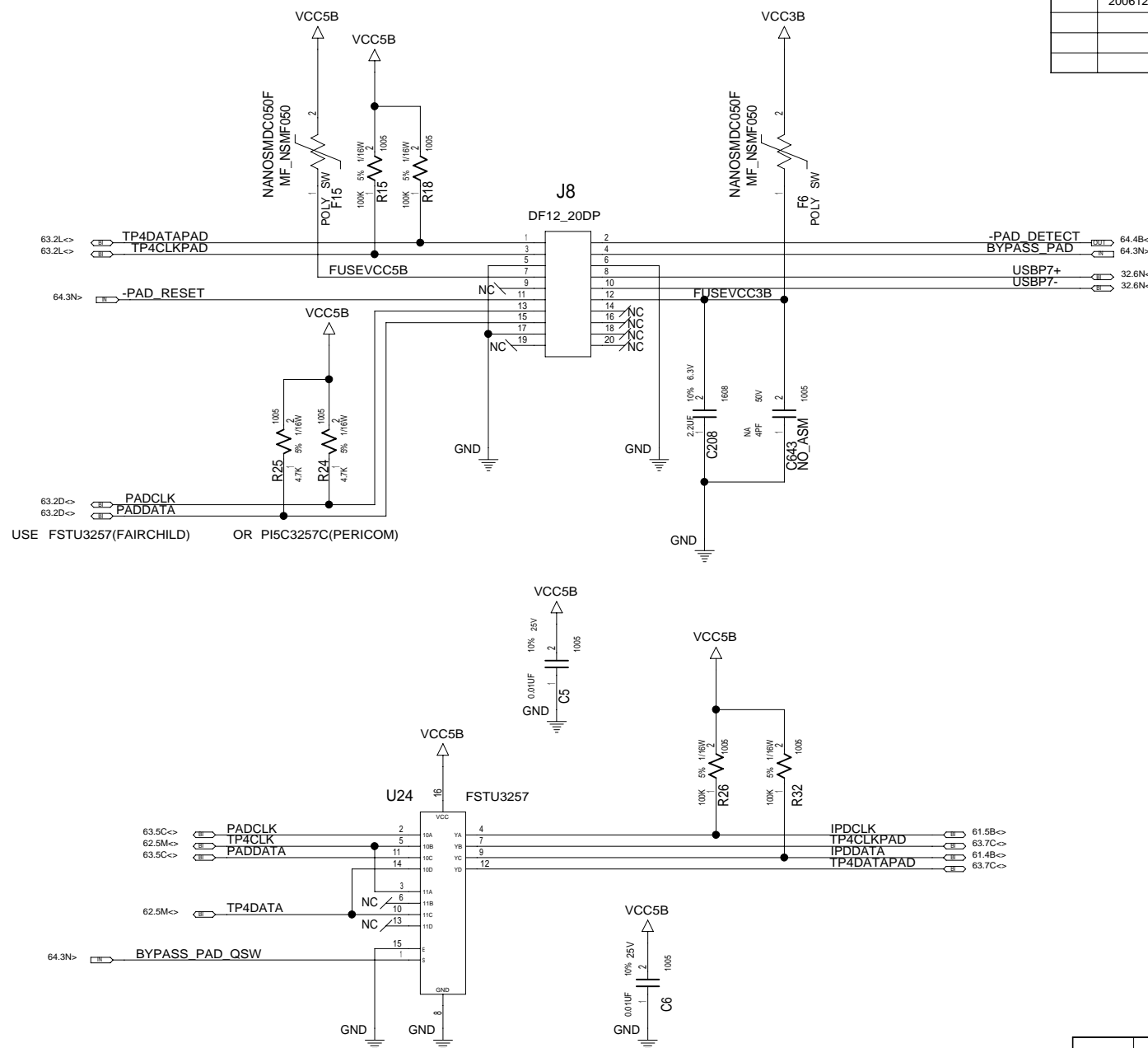
DATE	EC NO.	PART NO.	
20061220	L11403	42W7622	
		DEVELOPMENT NO.	Q/M
			62 / 97



DESIGNER	K.Y	06/01/06	PART NO.	42W7622
CHECKED	Y.I	06/01/06	TITLE MLB-1 SVT	
APPROVED	T.S	06/01/06	KEYBOARD CONNECTOR	
CLASS	T.S	06/01/06	LENOVO CONFIDENTIAL	

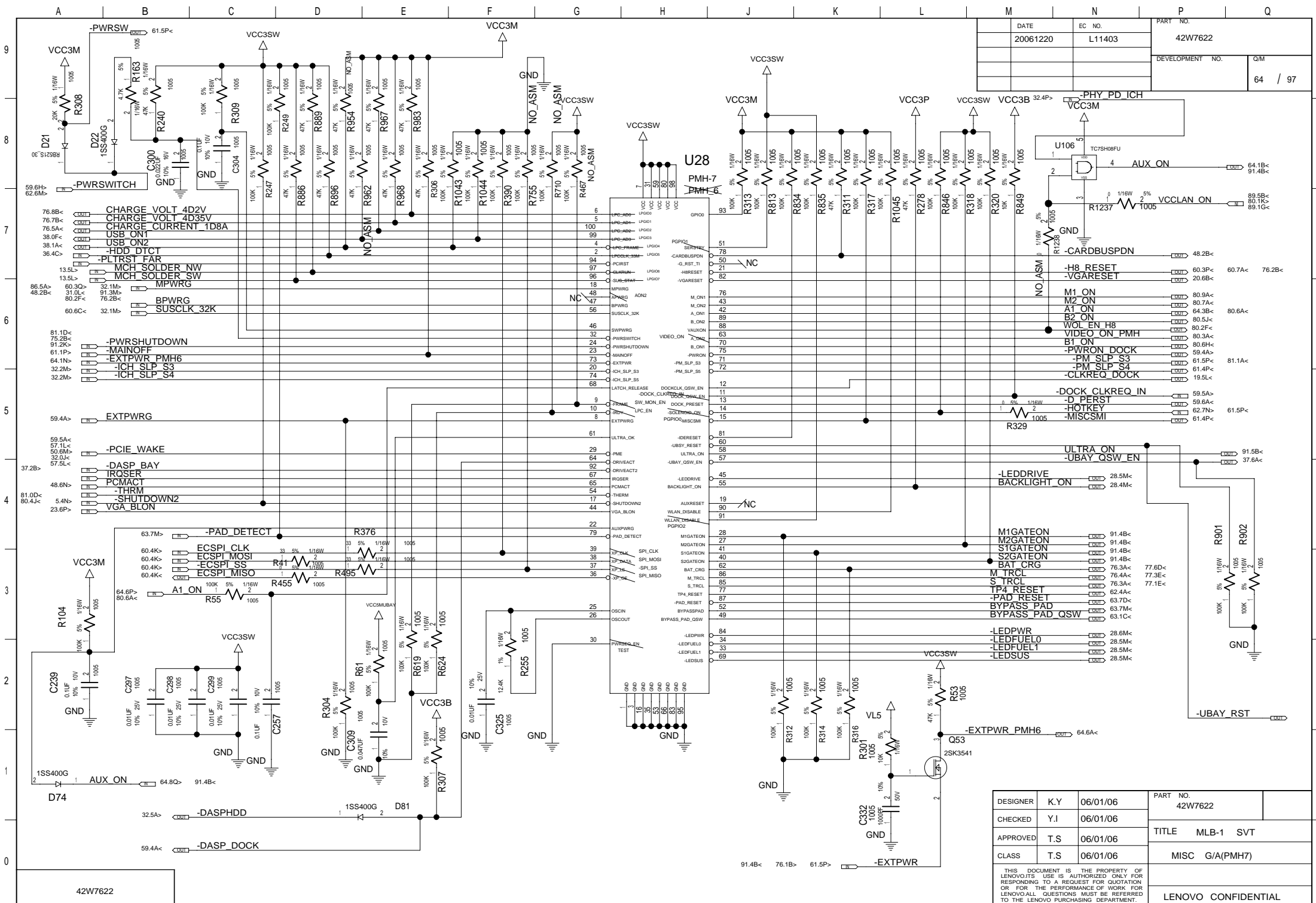
THIS DOCUMENT IS THE PROPERTY OF LENOVO/ITS USE IS AUTHORIZED ONLY FOR RESPONDING TO A REQUEST FOR QUOTATION OR FOR THE PERFORMANCE OF WORK FOR LENOVO/ALL QUESTIONS MUST BE REFERRED TO THE LENOVO PURCHASING DEPARTMENT.

DATE	EC NO.	PART NO.	
20061220	L11403	42W7622	
		DEVELOPMENT NO.	Q/M
			63 / 97



USE FSTU3257(FAIRCHILD) OR PI5C3257C(PERICOM)

DESIGNER	K.Y	06/01/06	PART NO.	42W7622
CHECKED	Y.I	06/01/06	TITLE	MLB-1 SVT
APPROVED	T.S	06/01/06	CLASS	TOUCH PAD CONNECTOR
THIS DOCUMENT IS THE PROPERTY OF LENOVO/ITS USE IS AUTHORIZED ONLY FOR RESPONDING TO A REQUEST FOR QUOTATION OR FOR THE PERFORMANCE OF WORK FOR LENOVO/ALL QUESTIONS MUST BE REFERRED TO THE LENOVO PURCHASING DEPARTMENT.				LENOVO CONFIDENTIAL

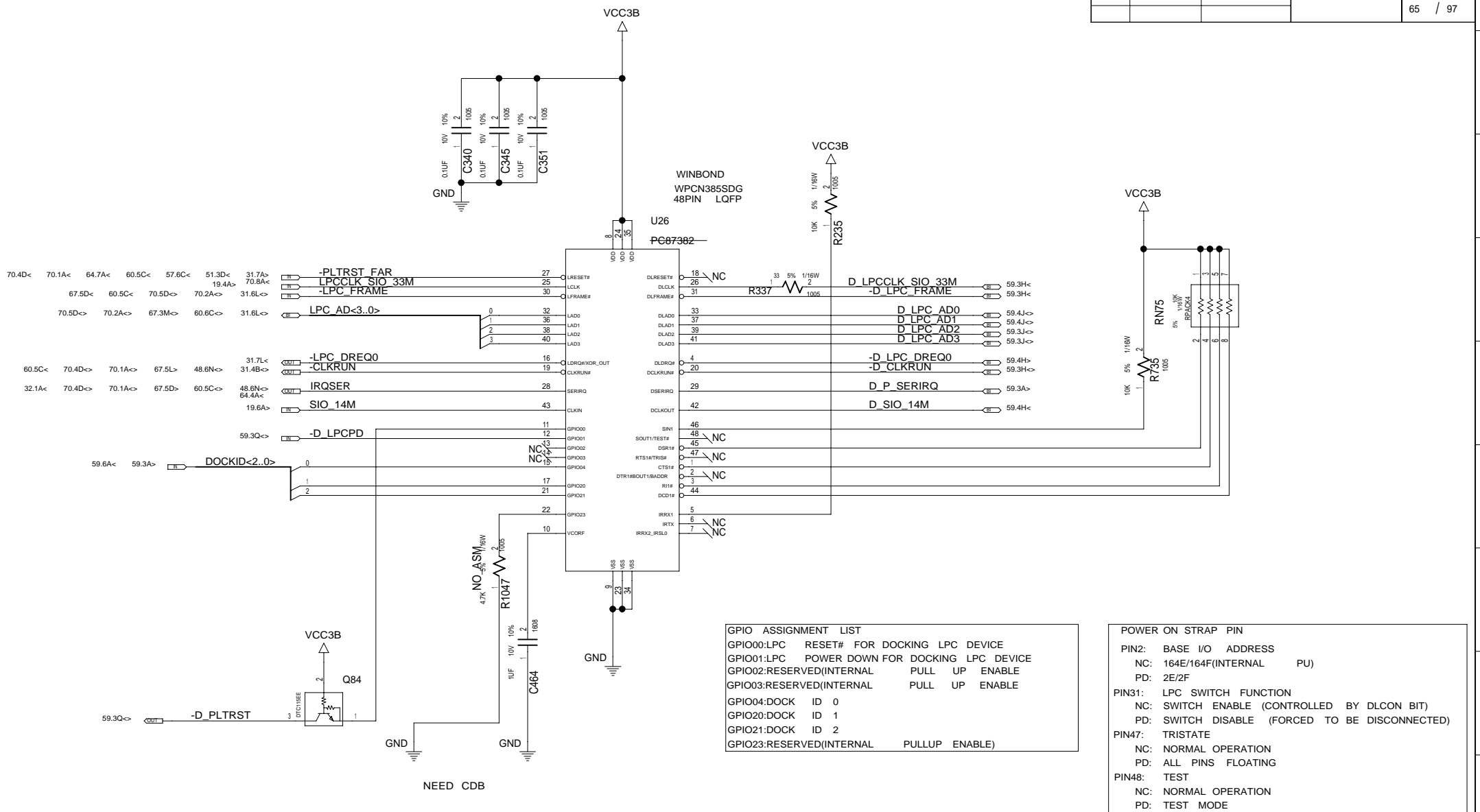


DATE	EC NO.	PART NO.
20061220	L11403	42W7622
DEVELOPMENT NO.		Q/M
		64 / 97

DESIGNER	K.Y	06/01/06	PART NO.	42W7622
CHECKED	Y.I	06/01/06	TITLE MLB-1 SVT	
APPROVED	T.S	06/01/06	MISC G/(PMH7)	
CLASS	T.S	06/01/06	LENOVO CONFIDENTIAL	

THIS DOCUMENT IS THE PROPERTY OF LENOVO/ITS USE IS AUTHORIZED ONLY FOR RESPONDING TO A REQUEST FOR QUOTATION OR FOR THE PERFORMANCE OF WORK FOR LENOVO. ALL QUESTIONS MUST BE REFERRED TO THE LENOVO PURCHASING DEPARTMENT.

DATE	EC NO.	PART NO.	
20061220	L11403	42W7622	
		DEVELOPMENT NO.	Q/M
			65 / 97

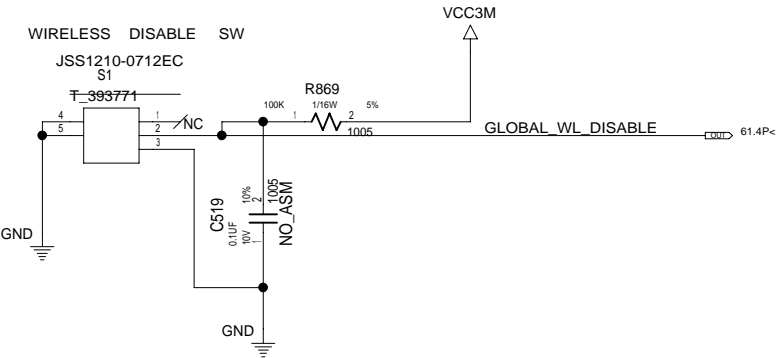


42W7622

DESIGNER	K.Y	06/01/06	PART NO.	42W7622
CHECKED	Y.I	06/01/06	TITLE MLB-1 SVT	
APPROVED	T.S	06/01/06	SUPER I/O	
CLASS	T.S	06/01/06	48PIN PITCH=0.5MM	
THIS DOCUMENT IS THE PROPERTY OF LENOVO/ITS USE IS AUTHORIZED ONLY FOR RESPONDING TO A REQUEST FOR QUOTATION OR FOR THE PERFORMANCE OF WORK FOR LENOVO/ALL QUESTIONS MUST BE REFERRED TO THE LENOVO PURCHASING DEPARTMENT.				
LENOVO CONFIDENTIAL				

A B C D E F G H J K L M N P Q

DATE	EC NO.	PART NO.	
20061220	L11403	42W7622	
		DEVELOPMENT NO.	Q/M
			66 / 97

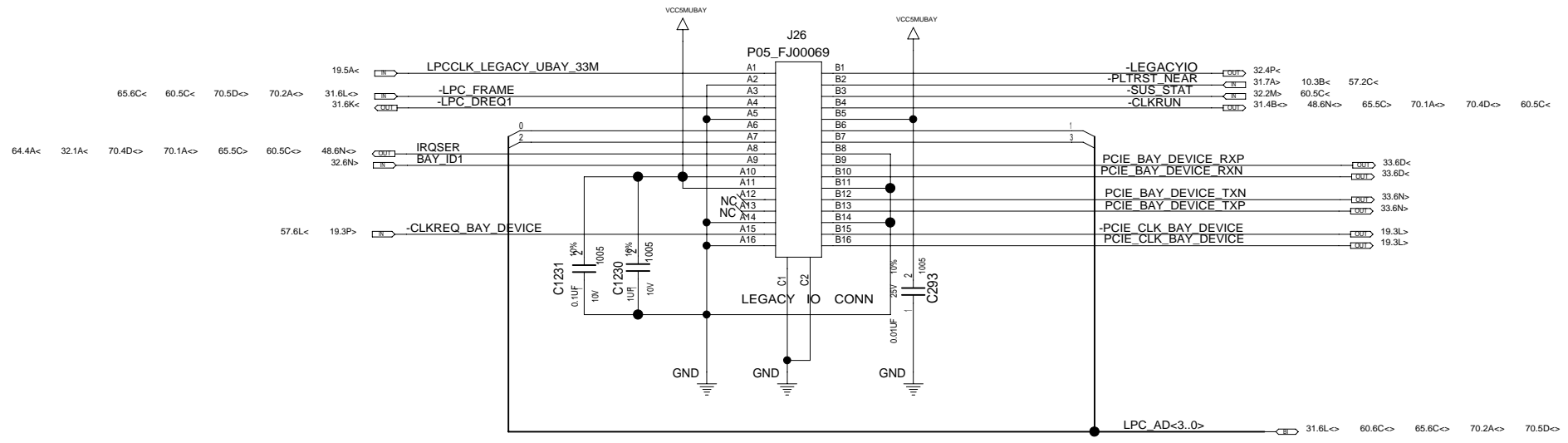


42W7622

DESIGNER	K.Y	06/01/06	PART NO.	
CHECKED	Y.I	06/01/06	42W7622	
APPROVED	T.S	06/01/06	TITLE	MLB-1 SVT
CLASS	T.S	06/01/06	WIRELESS DISABLE SW	
THIS DOCUMENT IS THE PROPERTY OF LENOVO/ITS USE IS AUTHORIZED ONLY FOR RESPONDING TO A REQUEST FOR QUOTATION OR FOR THE PERFORMANCE OF WORK FOR LENOVO/ALL QUESTIONS MUST BE REFERRED TO THE LENOVO PURCHASING DEPARTMENT.				
LENOVO CONFIDENTIAL				

A B C D E F G H J K L M N P Q

DATE	EC NO.	PART NO.	
20061220	L11403	42W7622	
		DEVELOPMENT NO.	Q/M
			67 / 97



42W7622

DESIGNER	K.Y	06/01/06	PART NO.	42W7622
CHECKED	Y.I	06/01/06	TITLE	MLB-1 SVT
APPROVED	T.S	06/01/06	SERIAL	INTERFACE
CLASS	T.S	06/01/06	LENOVO CONFIDENTIAL	

THIS DOCUMENT IS THE PROPERTY OF LENOVO/ITS USE IS AUTHORIZED ONLY FOR RESPONDING TO A REQUEST FOR QUOTATION OR FOR THE PERFORMANCE OF WORK FOR LENOVO/ALL QUESTIONS MUST BE REFERRED TO THE LENOVO PURCHASING DEPARTMENT.

A B C D E F G H J K L M N P Q

	DATE	EC NO.	PART NO.	
	20061220	L11403	42W7622	
			DEVELOPMENT NO.	Q/M
				68 / 97

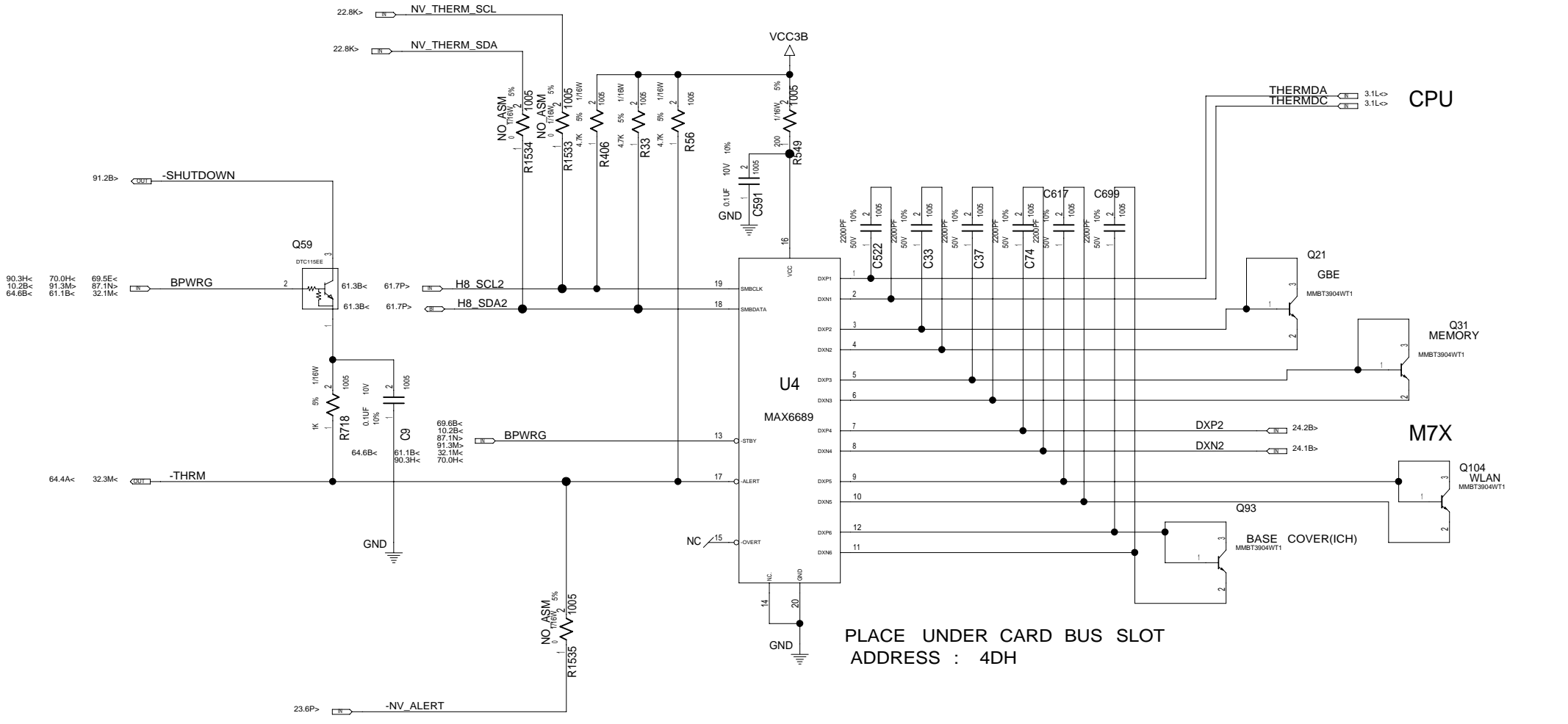
BLANK PAGE

42W7622

DESIGNER	K.Y	06/01/06	PART NO.	42W7622
CHECKED	Y.I	06/01/06	TITLE MLB-1 SVT	
APPROVED	T.S	06/01/06	BLANK PAGE	
CLASS	T.S	06/01/06	LENOVO CONFIDENTIAL	
<small>THIS DOCUMENT IS THE PROPERTY OF LENOVO/ITS USE IS AUTHORIZED ONLY FOR RESPONDING TO A REQUEST FOR QUOTATION OR FOR THE PERFORMANCE OF WORK FOR LENOVO/ALL QUESTIONS MUST BE REFERRED TO THE LENOVO PURCHASING DEPARTMENT.</small>				

A B C D E F G H J K L M N P Q

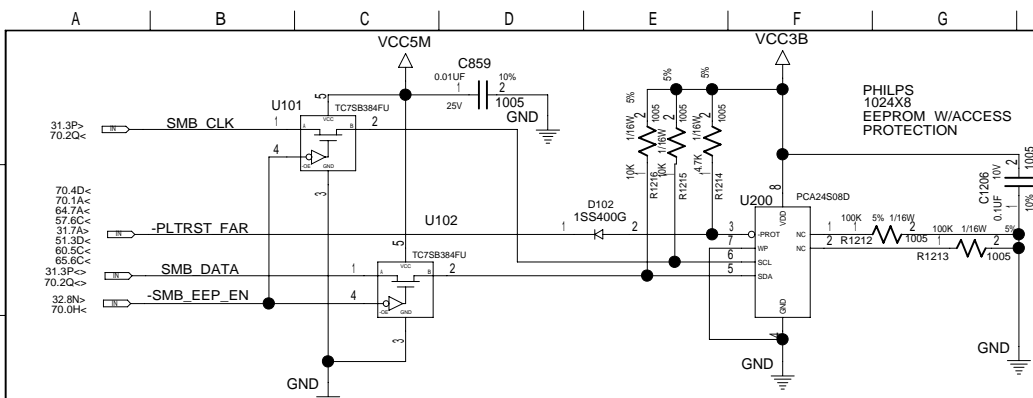
DATE	EC NO.	PART NO.	
20061220	L11403	42W7622	
		DEVELOPMENT NO.	Q/M
			69 / 97



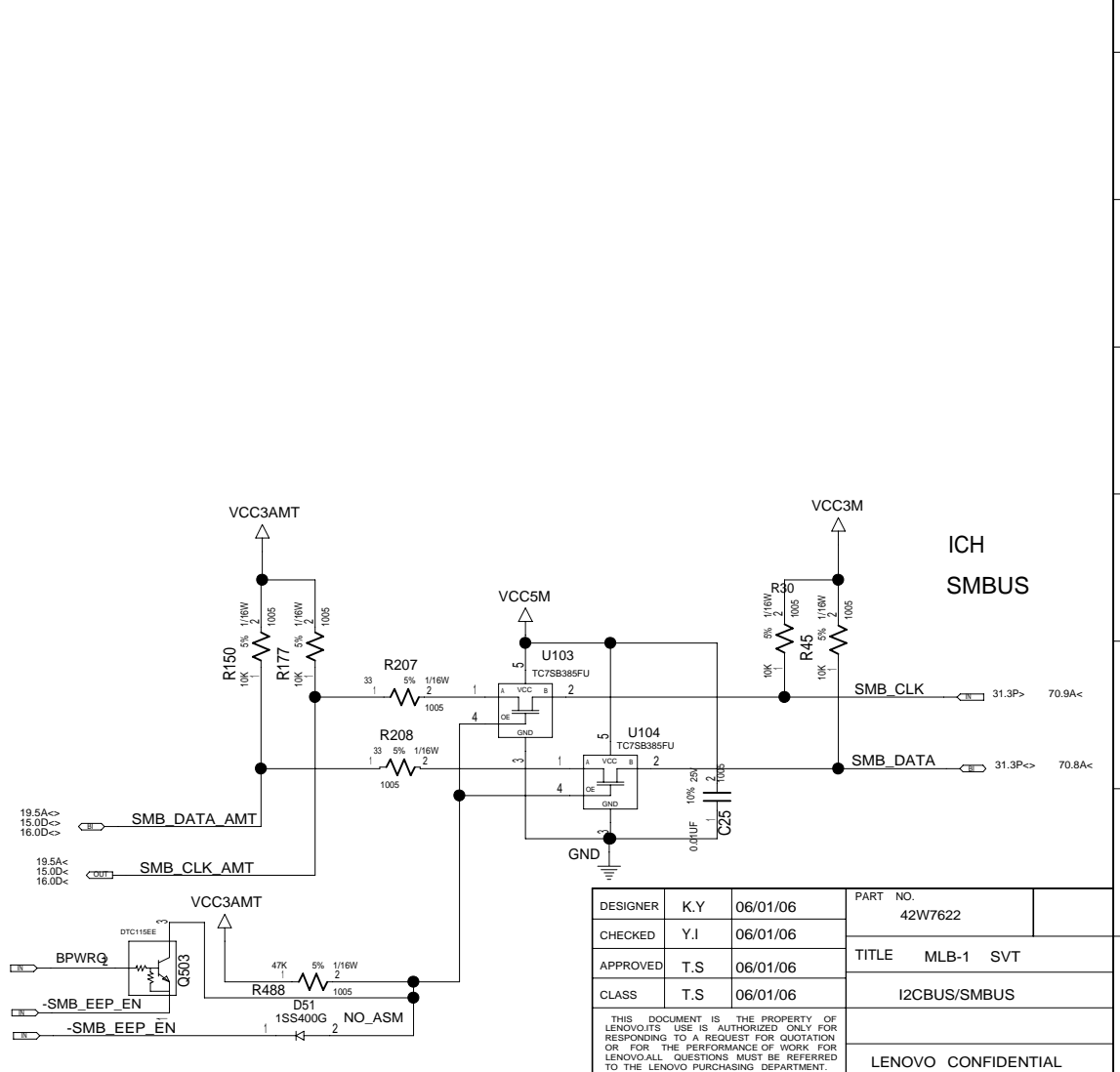
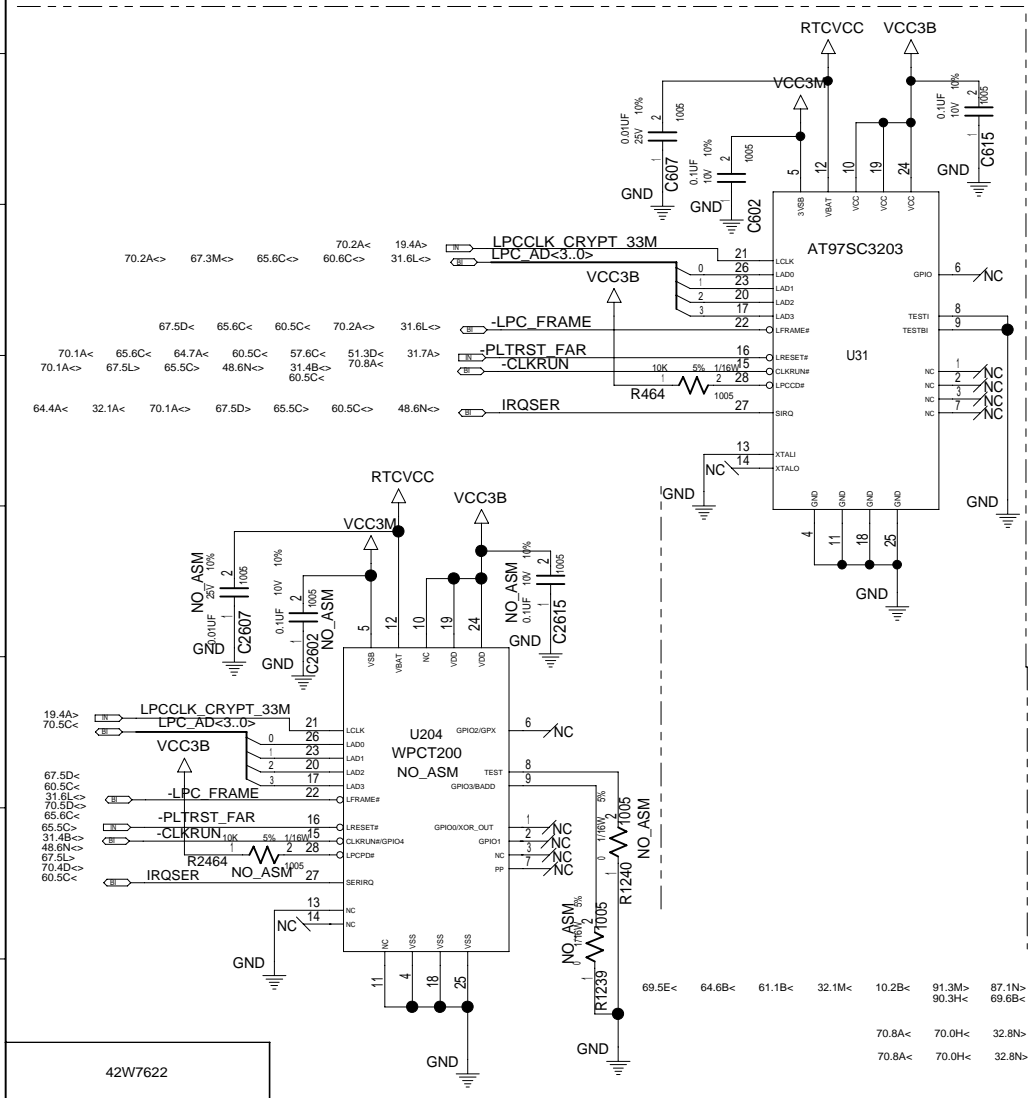
PLACE UNDER CARD BUS SLOT
ADDRESS : 4DH

DESIGNER	K.Y	06/01/06	PART NO.	42W7622
CHECKED	Y.I	06/01/06	TITLE	MLB-1 SVT
APPROVED	T.S	06/01/06	CLASS	THERMAL SENSOR
CLASS	T.S	06/01/06	THIS DOCUMENT IS THE PROPERTY OF LENOVO. ITS USE IS AUTHORIZED ONLY FOR RESPONDING TO A REQUEST FOR QUOTATION OR FOR THE PERFORMANCE OF WORK FOR LENOVO. ALL QUESTIONS MUST BE REFERRED TO THE LENOVO PURCHASING DEPARTMENT.	
LENOVO CONFIDENTIAL				

42W7622



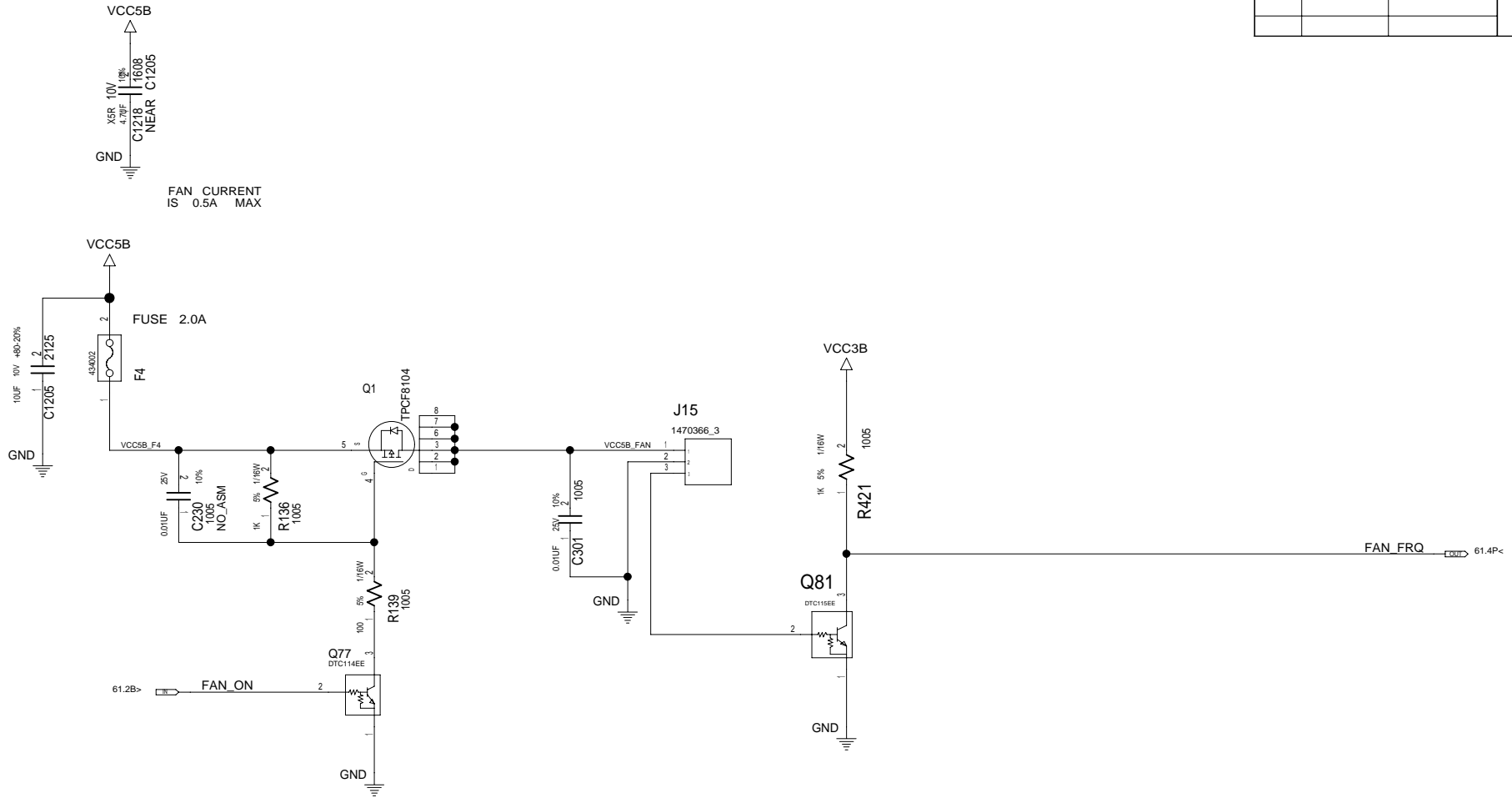
DATE	EC NO.	PART NO.
20061220	L11403	42W7622
DEVELOPMENT NO.		Q/M
		70 / 97



DESIGNER	K.Y	06/01/06	PART NO.	42W7622
CHECKED	Y.I	06/01/06	TITLE	MLB-1 SVT
APPROVED	T.S	06/01/06	I2CBUS/SMBUS	
CLASS	T.S	06/01/06	LENOVO CONFIDENTIAL	

THIS DOCUMENT IS THE PROPERTY OF LENOVO/ITS USE IS AUTHORIZED ONLY FOR RESPONDING TO A REQUEST FOR QUOTATION OR FOR THE PERFORMANCE OF WORK FOR LENOVO. ALL QUESTIONS MUST BE REFERRED TO THE LENOVO PURCHASING DEPARTMENT.

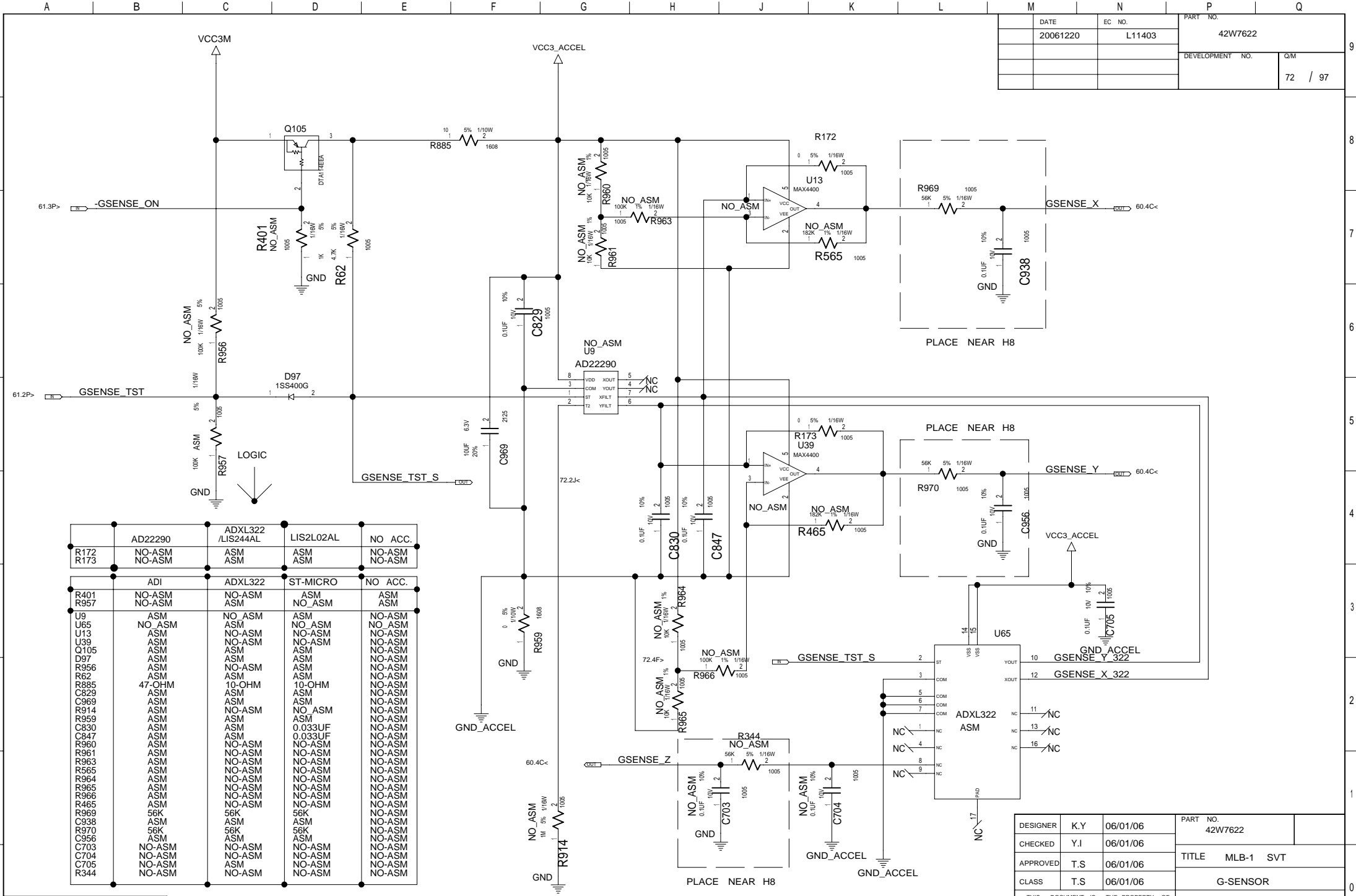
DATE	EC NO.	PART NO.	
20061220	L11403	42W7622	
		DEVELOPMENT NO.	Q/M
			71 / 97



42W7622

DESIGNER	K.Y	06/01/06	PART NO.	42W7622
CHECKED	Y.I	06/01/06	TITLE	MLB-1 SVT
APPROVED	T.S	06/01/06	CLASS	FAN CONNECTOR
CLASS	T.S	06/01/06	THIS DOCUMENT IS THE PROPERTY OF LENOVO/ITS USE IS AUTHORIZED ONLY FOR RESPONDING TO A REQUEST FOR QUOTATION OR FOR THE PERFORMANCE OF WORK FOR LENOVO/ALL QUESTIONS MUST BE REFERRED TO THE LENOVO PURCHASING DEPARTMENT.	
LENOVO CONFIDENTIAL				

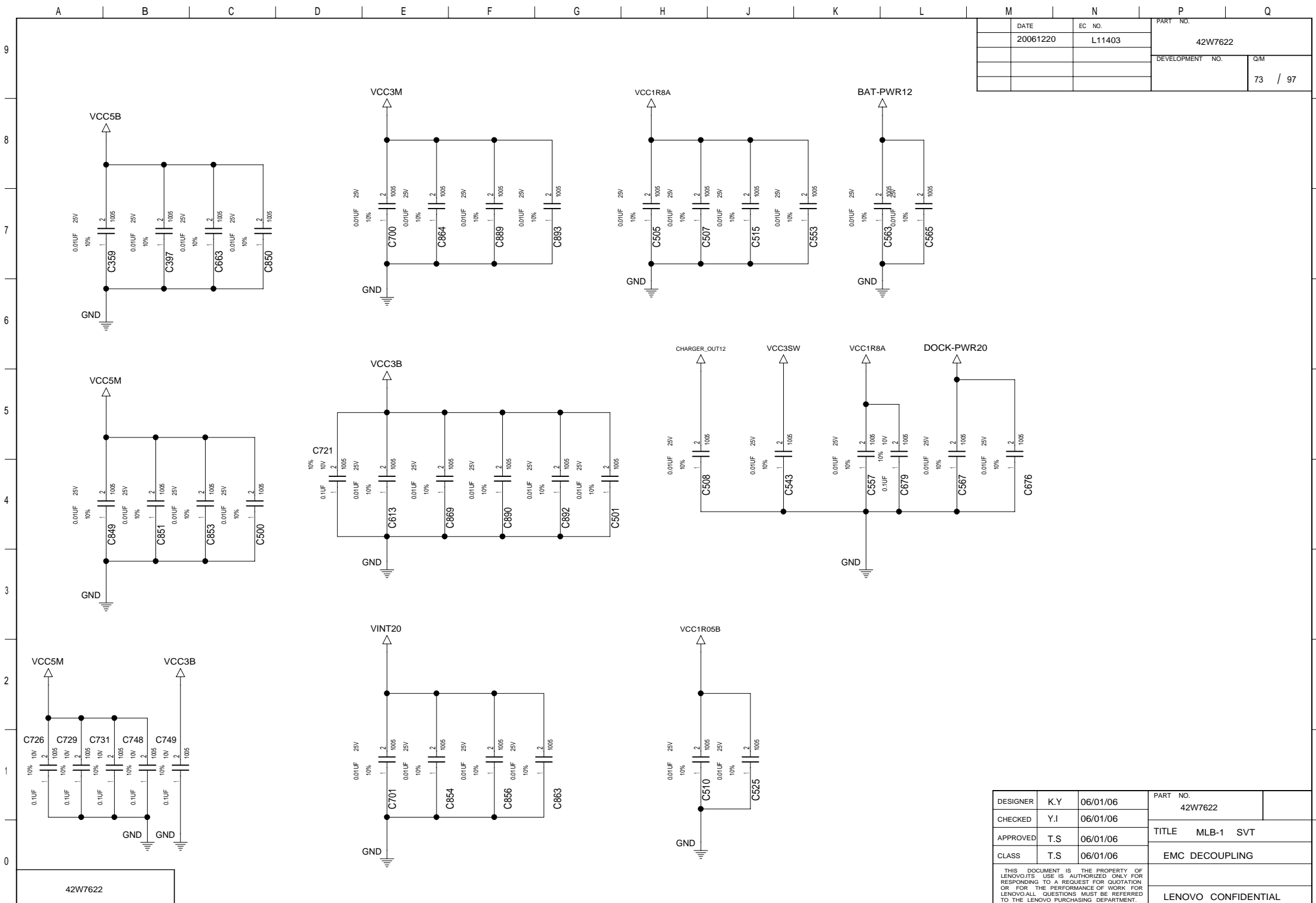
DATE	EC NO.	PART NO.
20061220	L11403	42W7622
DEVELOPMENT NO.		Q/M
		72 / 97



R172	AD22290	ADXL322 / LIS244AL	LIS2L02AL	NO ACC.
R173	NO-ASM	NO-ASM	ASM	NO-ASM
R401	ADI	ADXL322	ST-MICRO	NO ACC.
R957	NO-ASM	NO-ASM	NO-ASM	NO-ASM
U9	ASM	NO-ASM	ASM	NO-ASM
U65	NO-ASM	NO-ASM	NO-ASM	NO-ASM
U13	ASM	NO-ASM	NO-ASM	NO-ASM
U39	ASM	NO-ASM	NO-ASM	NO-ASM
Q105	ASM	ASM	NO-ASM	NO-ASM
D97	ASM	ASM	ASM	NO-ASM
R956	ASM	NO-ASM	ASM	NO-ASM
R62	ASM	ASM	ASM	NO-ASM
R885	ASM	10-OHM	ASM	NO-ASM
C829	ASM	47-OHM	ASM	NO-ASM
C969	ASM	ASM	ASM	NO-ASM
R914	ASM	NO-ASM	NO-ASM	NO-ASM
R959	ASM	ASM	ASM	NO-ASM
C830	ASM	ASM	0.033UF	NO-ASM
C847	ASM	ASM	0.033UF	NO-ASM
R960	ASM	NO-ASM	NO-ASM	NO-ASM
R961	ASM	NO-ASM	NO-ASM	NO-ASM
R963	ASM	NO-ASM	NO-ASM	NO-ASM
R565	ASM	NO-ASM	NO-ASM	NO-ASM
R964	ASM	NO-ASM	NO-ASM	NO-ASM
R965	ASM	NO-ASM	NO-ASM	NO-ASM
R966	ASM	NO-ASM	NO-ASM	NO-ASM
R465	ASM	NO-ASM	NO-ASM	NO-ASM
R969	56K	56K	56K	NO-ASM
C938	ASM	ASM	ASM	NO-ASM
R970	56K	56K	56K	NO-ASM
C956	ASM	ASM	ASM	NO-ASM
C703	NO-ASM	NO-ASM	NO-ASM	NO-ASM
C704	NO-ASM	NO-ASM	NO-ASM	NO-ASM
C705	NO-ASM	NO-ASM	NO-ASM	NO-ASM
R344	NO-ASM	NO-ASM	NO-ASM	NO-ASM

DESIGNER	K.Y	06/01/06	PART NO.	42W7622
CHECKED	Y.I	06/01/06	TITLE	MLB-1 SVT
APPROVED	T.S	06/01/06	CLASS	G-SENSOR
CLASS	T.S	06/01/06	LENOVO CONFIDENTIAL	

THIS DOCUMENT IS THE PROPERTY OF LENOVO/ITS USE IS AUTHORIZED ONLY FOR RESPONDING TO A REQUEST FOR QUOTATION OR FOR THE PERFORMANCE OF WORK FOR LENOVO.ALL QUESTIONS MUST BE REFERRED TO THE LENOVO PURCHASING DEPARTMENT.

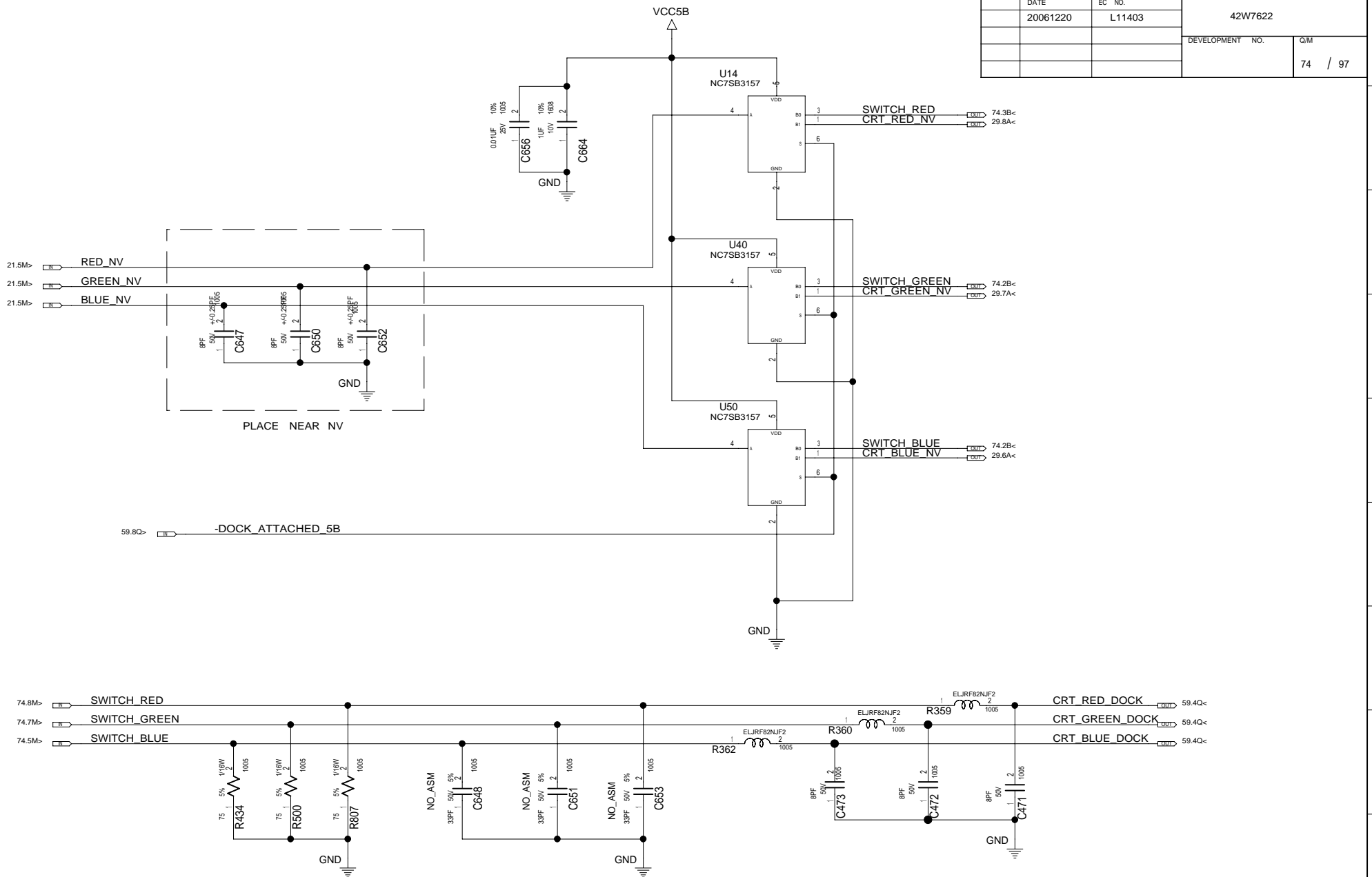


DATE	EC NO.	PART NO.	
20061220	L11403	42W7622	
		DEVELOPMENT NO.	Q/M
			73 / 97

DESIGNER	K.Y	06/01/06	PART NO.	42W7622
CHECKED	Y.I	06/01/06	TITLE	MLB-1 SVT
APPROVED	T.S	06/01/06	CLASS	EMC DECOUPLING
CLASS	T.S	06/01/06	THIS DOCUMENT IS THE PROPERTY OF LENOVO/ITS USE IS AUTHORIZED ONLY FOR RESPONDING TO A REQUEST FOR QUOTATION OR FOR THE PERFORMANCE OF WORK FOR LENOVO/ALL QUESTIONS MUST BE REFERRED TO THE LENOVO PURCHASING DEPARTMENT.	
				LENOVO CONFIDENTIAL

42W7622

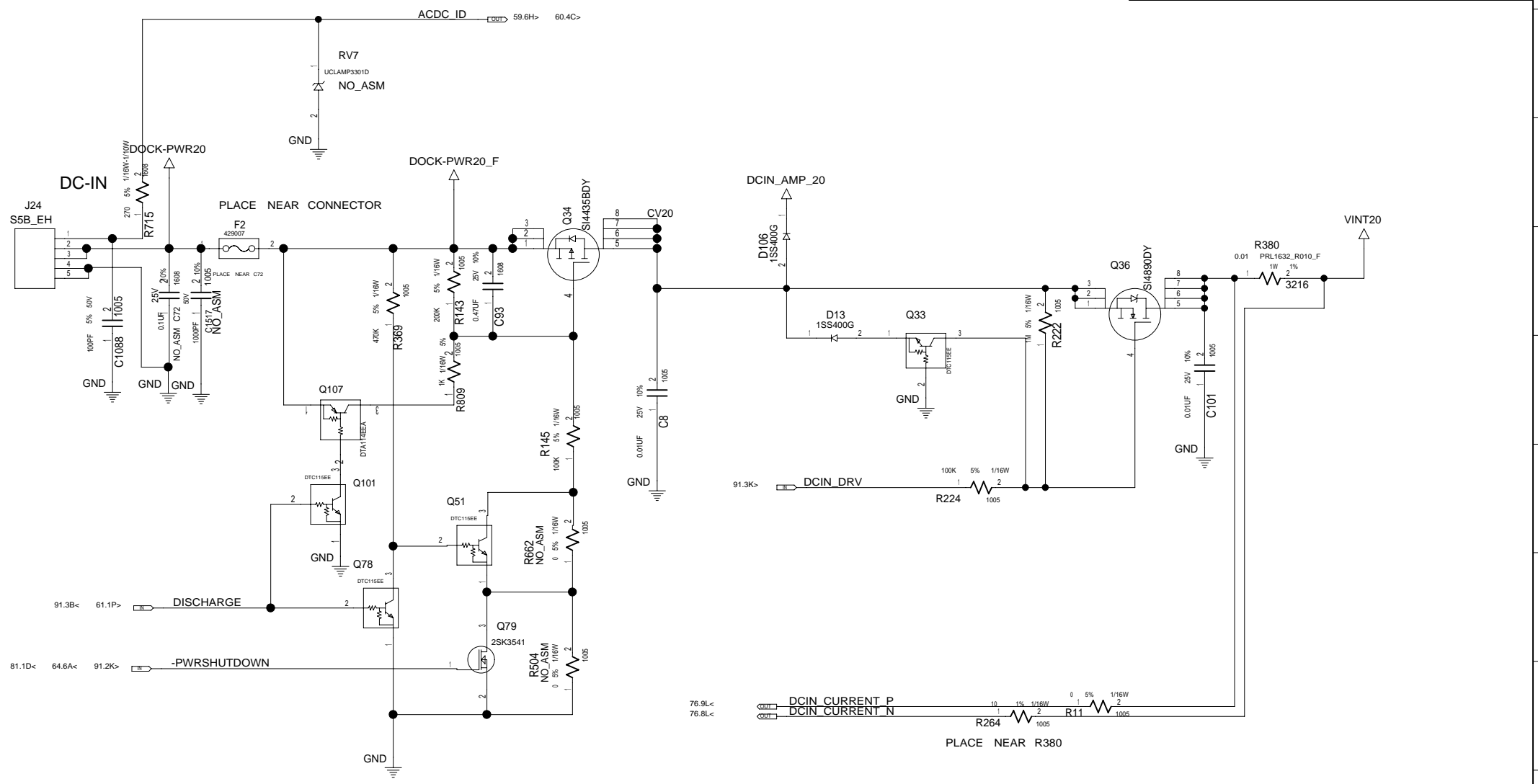
DATE	EC NO.	PART NO.
20061220	L11403	42W7622
		DEVELOPMENT NO.
		G/M
		74 / 97



DESIGNER	K.Y	06/01/06	PART NO.	42W7622
CHECKED	Y.I	06/01/06	TITLE	MLB-1 SVT
APPROVED	T.S	06/01/06		RGB SWITCH
CLASS	T.S	06/01/06		
<small>THIS DOCUMENT IS THE PROPERTY OF LENOVO/ITS USE IS AUTHORIZED ONLY FOR RESPONDING TO A REQUEST FOR QUOTATION OR FOR THE PERFORMANCE OF WORK FOR LENOVO/ALL QUESTIONS MUST BE REFERRED TO THE LENOVO PURCHASING DEPARTMENT.</small>				
LENOVO CONFIDENTIAL				

42W7622

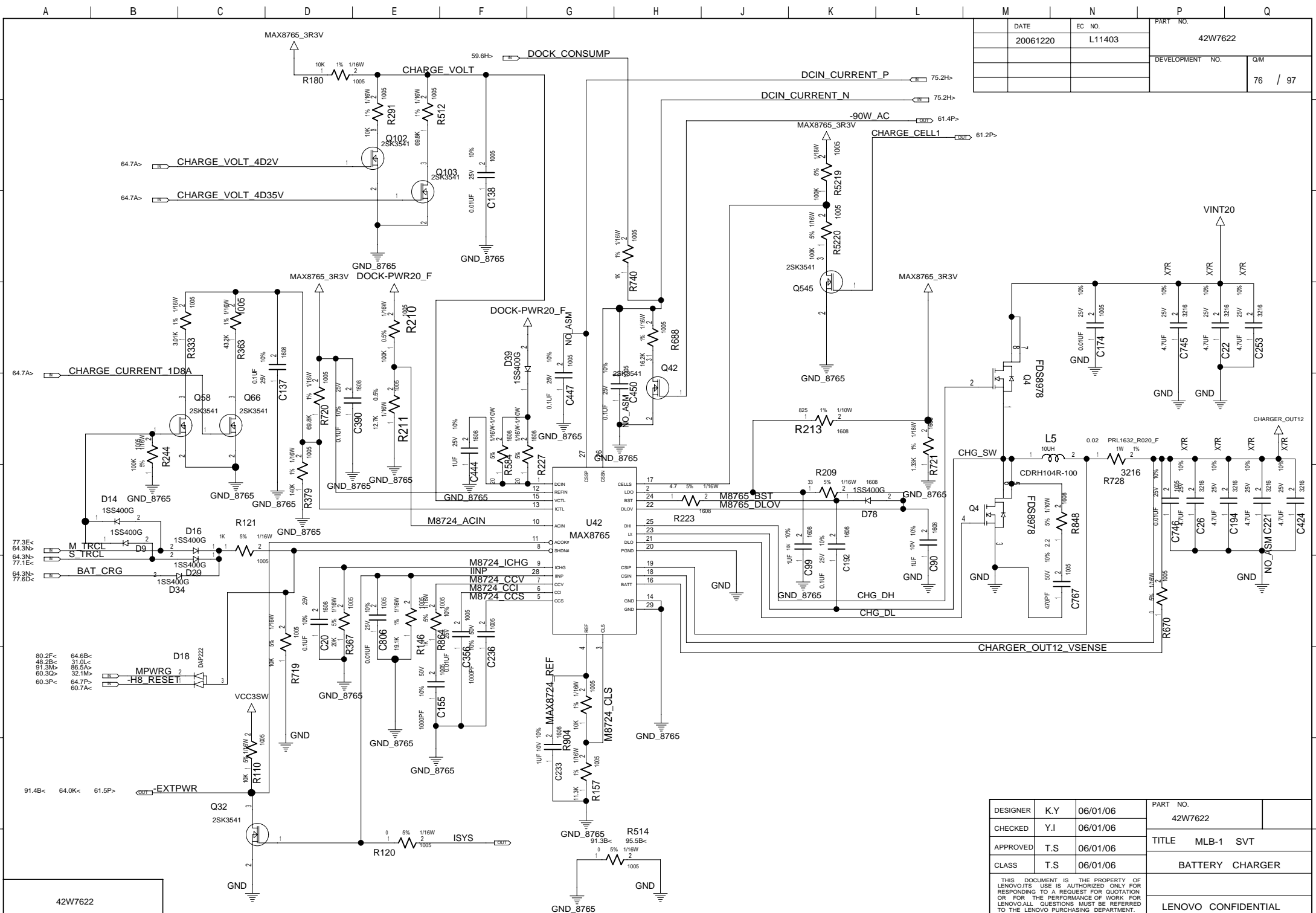
DATE	EC NO.	PART NO.	
20061220	L11403	42W7622	
		DEVELOPMENT NO.	Q/M
			75 / 97



PEAK SHIFT	YES	NO
R662	NO-ASM	ASM
R369	ASM	NO-ASM
Q78	ASM	NO-ASM
Q51	ASM	NO-ASM

DESIGNER	K.Y	06/01/06	PART NO.	42W7622
CHECKED	Y.I	06/01/06	TITLE MLB-1 SVT	
APPROVED	T.S	06/01/06	DC-IN	
CLASS	T.S	06/01/06	LENOVO CONFIDENTIAL	

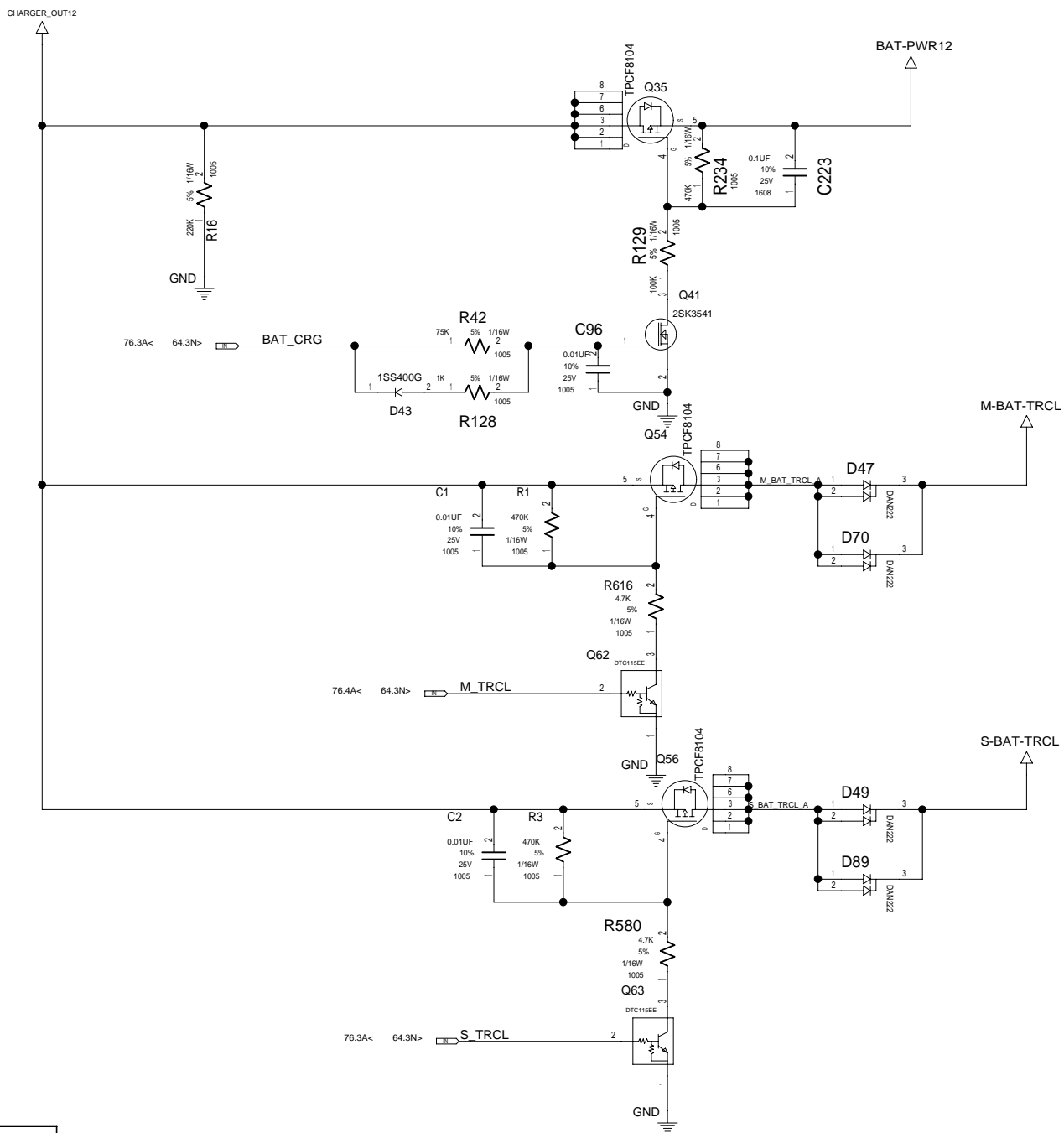
THIS DOCUMENT IS THE PROPERTY OF LENOVO/ITS USE IS AUTHORIZED ONLY FOR RESPONDING TO A REQUEST FOR QUOTATION OR FOR THE PERFORMANCE OF WORK FOR LENOVO/ALL QUESTIONS MUST BE REFERRED TO THE LENOVO PURCHASING DEPARTMENT.



DATE	EC NO.	PART NO.
20061220	L11403	42W7622
DEVELOPMENT NO.		Q/M
		76 / 97

DESIGNER	K.Y	06/01/06	PART NO.	42W7622
CHECKED	Y.I	06/01/06	TITLE	MLB-1 SVT
APPROVED	T.S	06/01/06	CLASS	BATTERY CHARGER
THIS DOCUMENT IS THE PROPERTY OF LENOVO/ITS USE IS AUTHORIZED ONLY FOR RESPONDING TO A REQUEST FOR QUOTATION OR FOR THE PERFORMANCE OF WORK FOR LENOVO. ALL QUESTIONS MUST BE REFERRED TO THE LENOVO PURCHASING DEPARTMENT.				LENOVO CONFIDENTIAL

DATE	EC NO.	PART NO.	
20061220	L11403	42W7622	
		DEVELOPMENT NO.	Q/M
			77 / 97

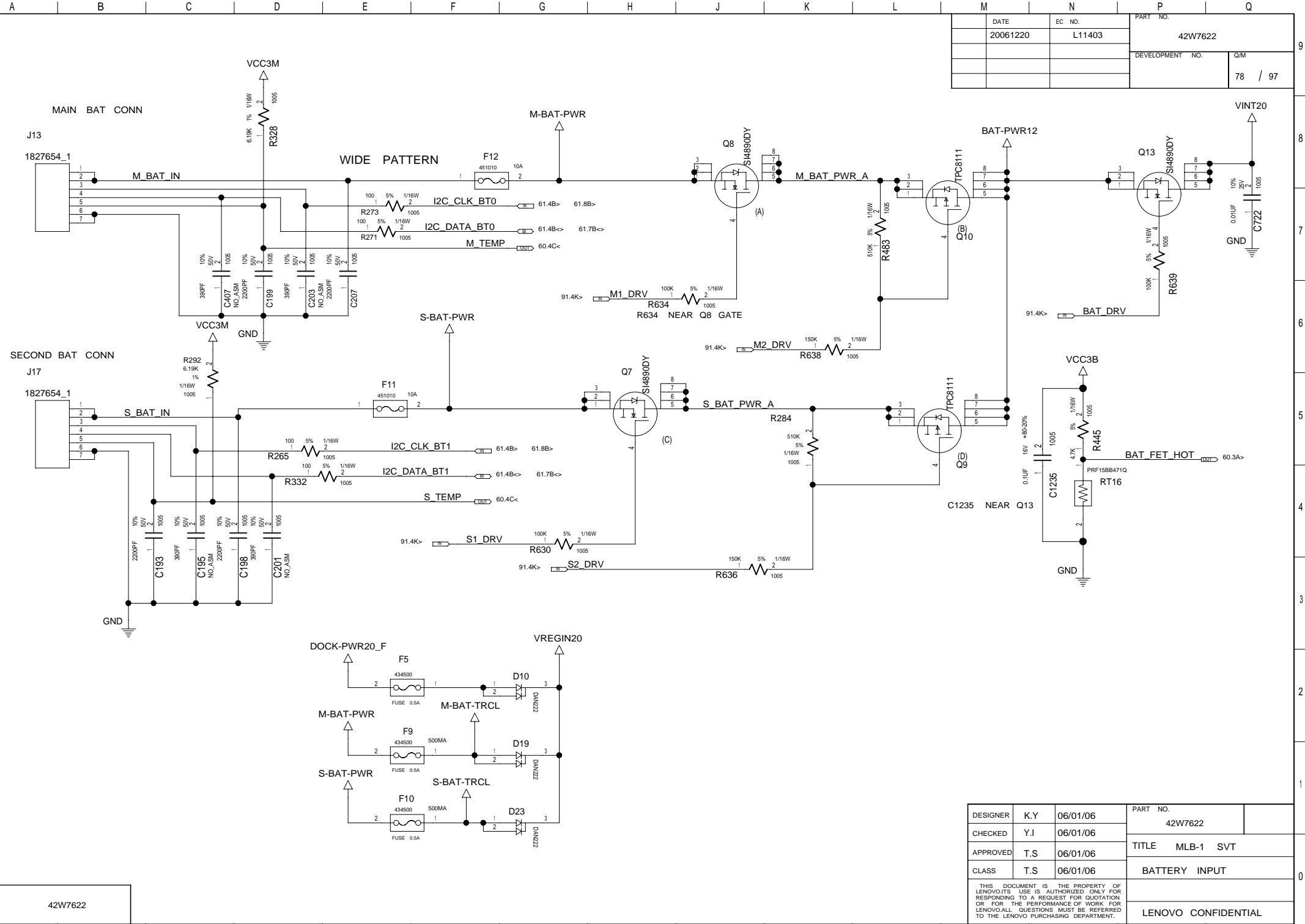


42W7622

DESIGNER	K.Y	06/01/06	PART NO.	42W7622
CHECKED	Y.I	06/01/06	TITLE MLB-1 SVT	
APPROVED	T.S	06/01/06	CHARGE SELECTOR	
CLASS	T.S	06/01/06	LENOVO CONFIDENTIAL	

THIS DOCUMENT IS THE PROPERTY OF LENOVO/ITS USE IS AUTHORIZED ONLY FOR RESPONDING TO A REQUEST FOR QUOTATION OR FOR THE PERFORMANCE OF WORK FOR LENOVO/ALL QUESTIONS MUST BE REFERRED TO THE LENOVO PURCHASING DEPARTMENT.

DATE	EC NO.	PART NO.
20061220	L11403	42W7622
DEVELOPMENT NO.		Q/M
		78 / 97

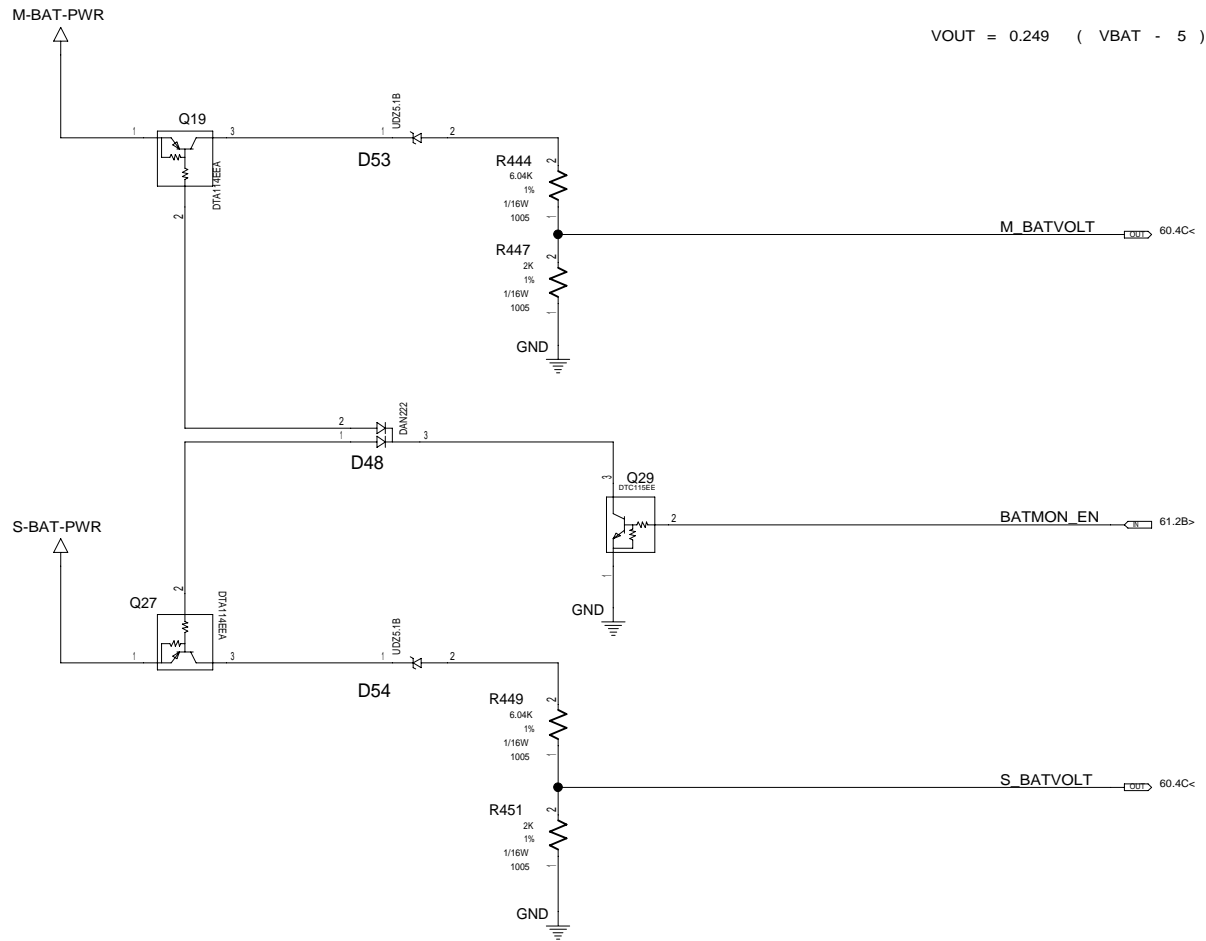


42W7622

DESIGNER	K.Y	06/01/06	PART NO.	42W7622
CHECKED	Y.I	06/01/06	TITLE	MLB-1 SVT
APPROVED	T.S	06/01/06	BATTERY INPUT	
CLASS	T.S	06/01/06	LENOVO CONFIDENTIAL	

THIS DOCUMENT IS THE PROPERTY OF LENOVO. ITS USE IS AUTHORIZED ONLY FOR RESPONDING TO A REQUEST FOR QUOTATION OR FOR THE PERFORMANCE OF WORK FOR LENOVO. ALL QUESTIONS MUST BE REFERRED TO THE LENOVO PURCHASING DEPARTMENT.

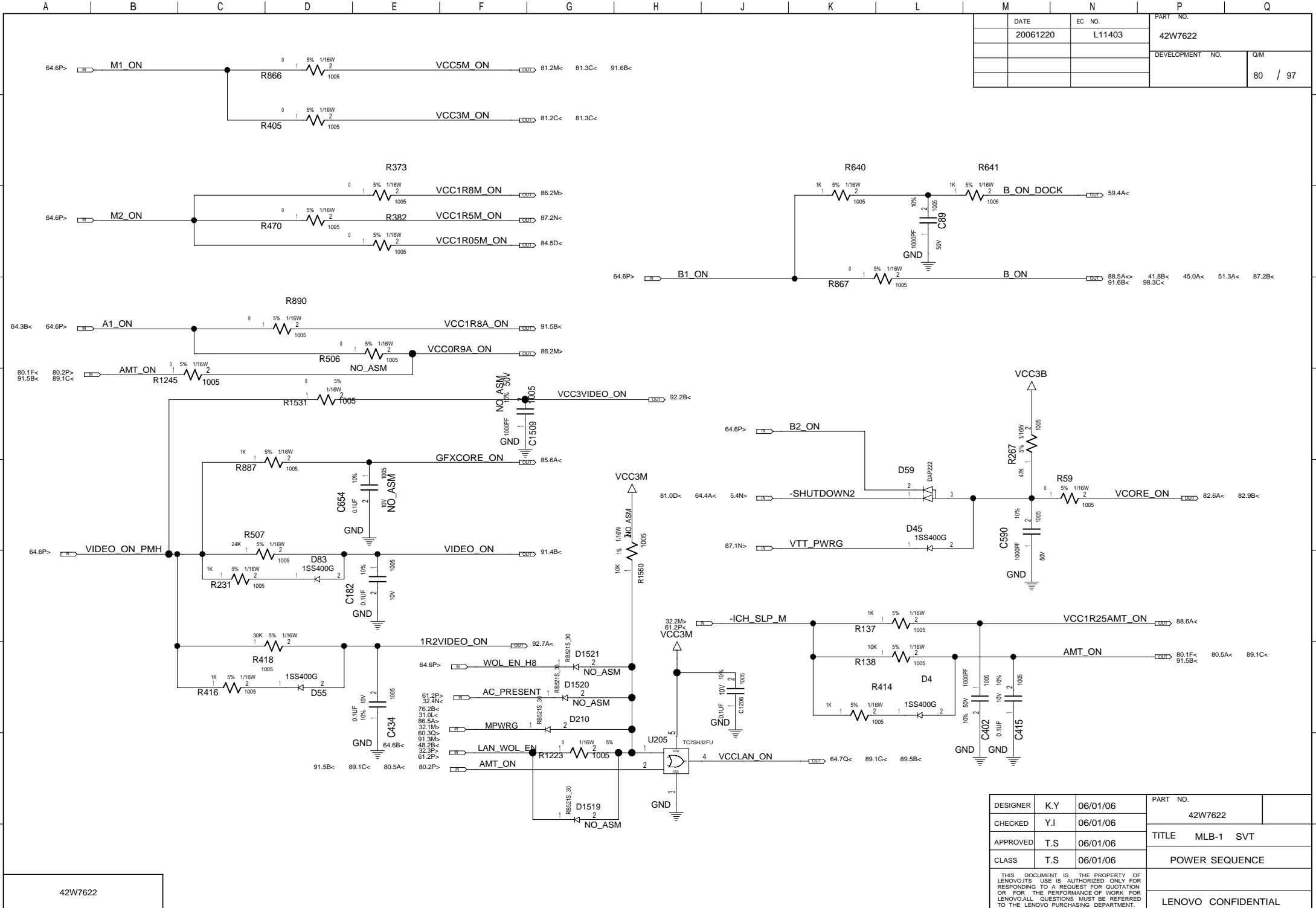
DATE	EC NO.	PART NO.	
20061220	L11403	42W7622	
		DEVELOPMENT NO.	Q/M
			79 / 97



42W7622

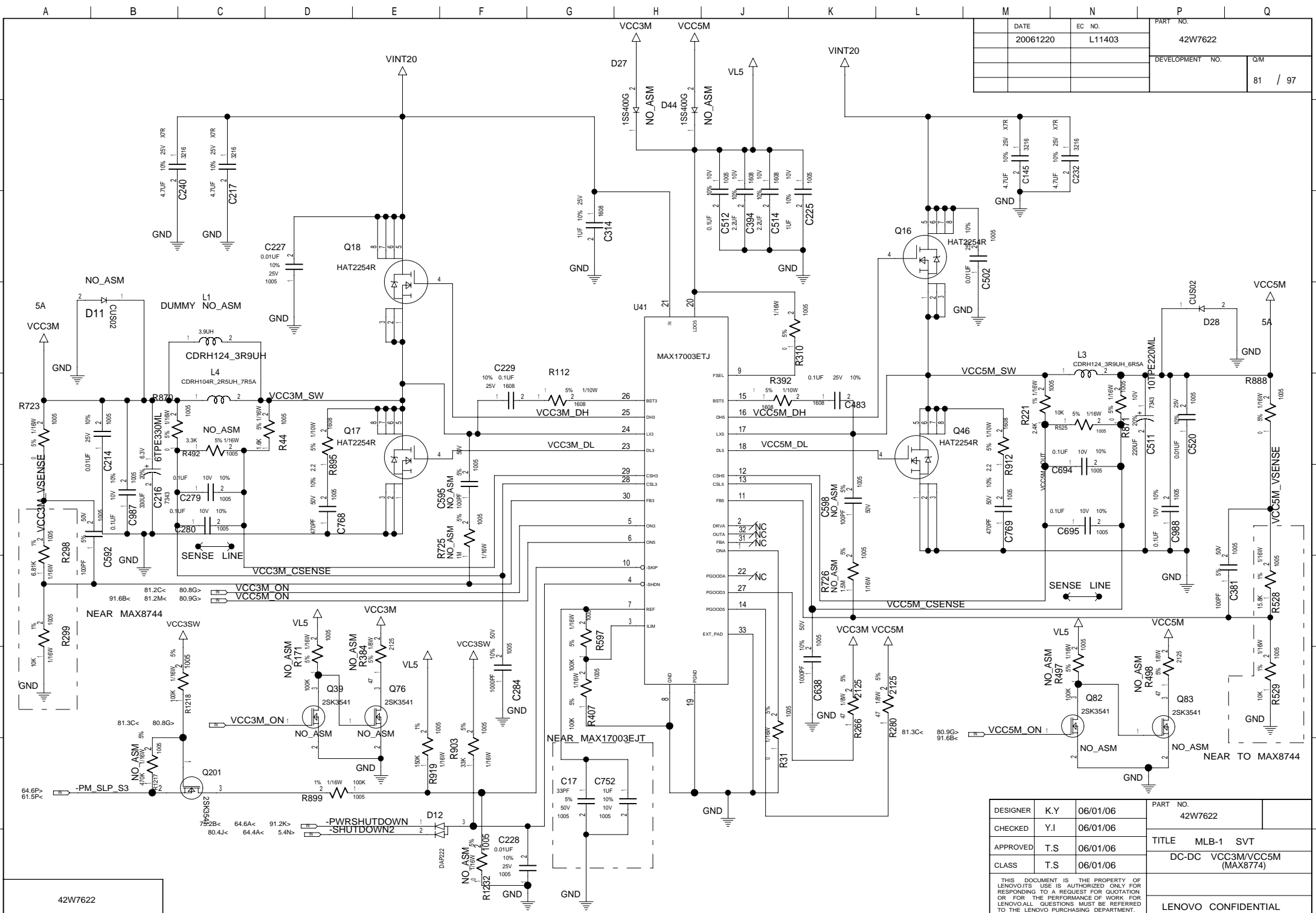
DESIGNER	K.Y	06/01/06	PART NO.	42W7622
CHECKED	Y.I	06/01/06	TITLE MLB-1 SVT	
APPROVED	T.S	06/01/06	BATTERY MONITOR	
CLASS	T.S	06/01/06	LENOVO CONFIDENTIAL	
<small>THIS DOCUMENT IS THE PROPERTY OF LENOVO/TS. USE IS AUTHORIZED ONLY FOR RESPONDING TO A REQUEST FOR QUOTATION OR FOR THE PERFORMANCE OF WORK FOR LENOVO. ALL QUESTIONS MUST BE REFERRED TO THE LENOVO PURCHASING DEPARTMENT.</small>				

DATE	EC NO.	PART NO.
20061220	L11403	42W7622
		DEVELOPMENT NO.
		80 / 97



DESIGNER	K.Y	06/01/06	PART NO.	42W7622
CHECKED	Y.I	06/01/06	TITLE	MLB-1 SVT
APPROVED	T.S	06/01/06	POWER SEQUENCE	
CLASS	T.S	06/01/06	LENOVO CONFIDENTIAL	

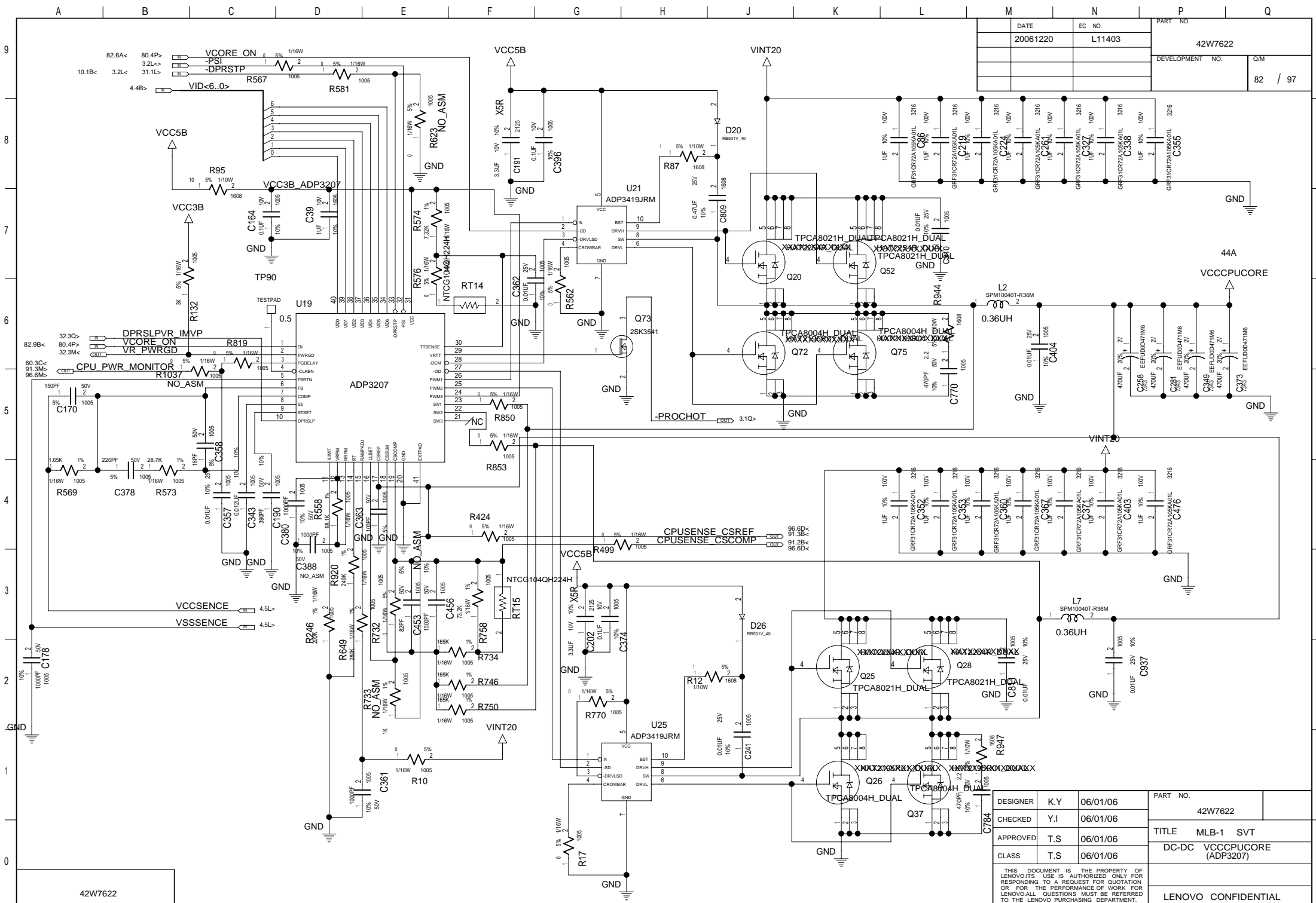
THIS DOCUMENT IS THE PROPERTY OF LENOVO/ITS USE IS AUTHORIZED ONLY FOR RESPONDING TO A REQUEST FOR QUOTATION OR FOR THE PERFORMANCE OF WORK FOR LENOVO. ALL QUESTIONS MUST BE REFERRED TO THE LENOVO PURCHASING DEPARTMENT.



DATE	EC NO.	PART NO.
20061220	L11403	42W7622
DEVELOPMENT NO.		Q/M
		81 / 97

DESIGNER	K.Y	06/01/06	PART NO.	42W7622
CHECKED	Y.I	06/01/06	TITLE MLB-1 SVT	
APPROVED	T.S	06/01/06	DC-DC VCC3M/VCC5M (MAX8774)	
CLASS	T.S	06/01/06	LENOVO CONFIDENTIAL	

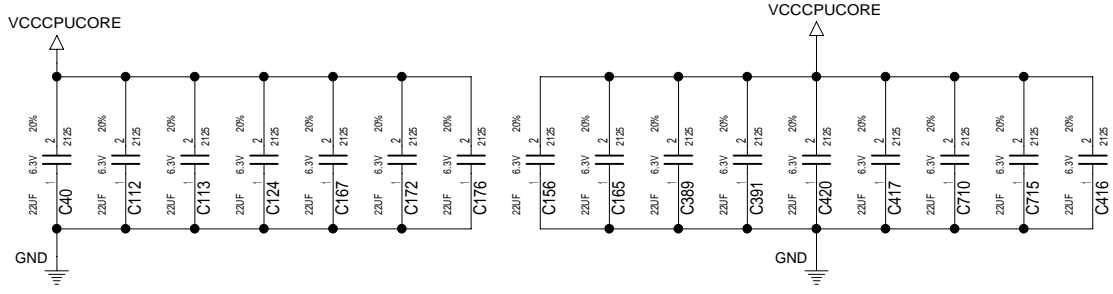
THIS DOCUMENT IS THE PROPERTY OF LENOVO. ITS USE IS AUTHORIZED ONLY FOR RESPONDING TO A REQUEST FOR QUOTATION OR FOR THE PERFORMANCE OF WORK FOR LENOVO. ALL QUESTIONS MUST BE REFERRED TO THE LENOVO PURCHASING DEPARTMENT.



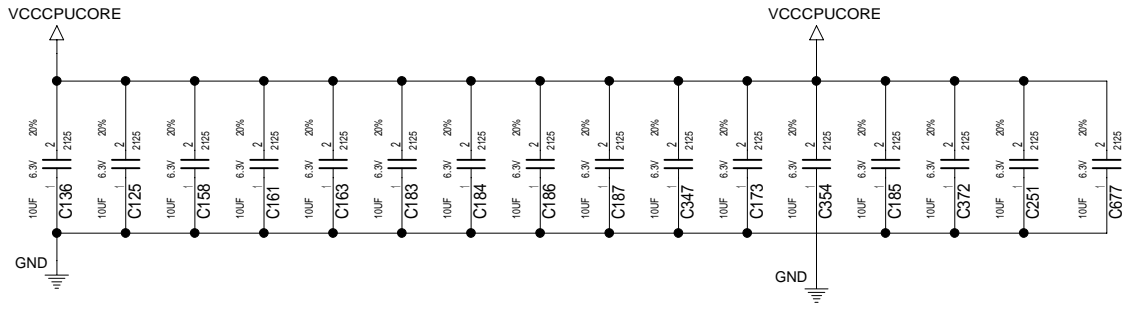
DATE	EC NO.	PART NO.
20061220	L11403	42W7622
DEVELOPMENT NO.		Q/M
		82 / 97

DESIGNER	K.Y	06/01/06	PART NO.	42W7622
CHECKED	Y.I	06/01/06	TITLE	MLB-1 SVT
APPROVED	T.S	06/01/06	DC-DC	VCCPCUCORE
CLASS	T.S	06/01/06	(ADP3207)	
THIS DOCUMENT IS THE PROPERTY OF LENOVO. ITS USE IS AUTHORIZED ONLY FOR RESPONDING TO A REQUEST FOR QUOTATION OR FOR THE PERFORMANCE OF WORK FOR LENOVO. ALL QUESTIONS MUST BE REFERRED TO THE LENOVO PURCHASING DEPARTMENT.				LENOVO CONFIDENTIAL

DATE	EC NO.	PART NO.	
20061220	L11403	42W7622	
		DEVELOPMENT NO.	Q/M
			83 / 97



22UF 6.3V X5R 2125 1/16W X 16PCS



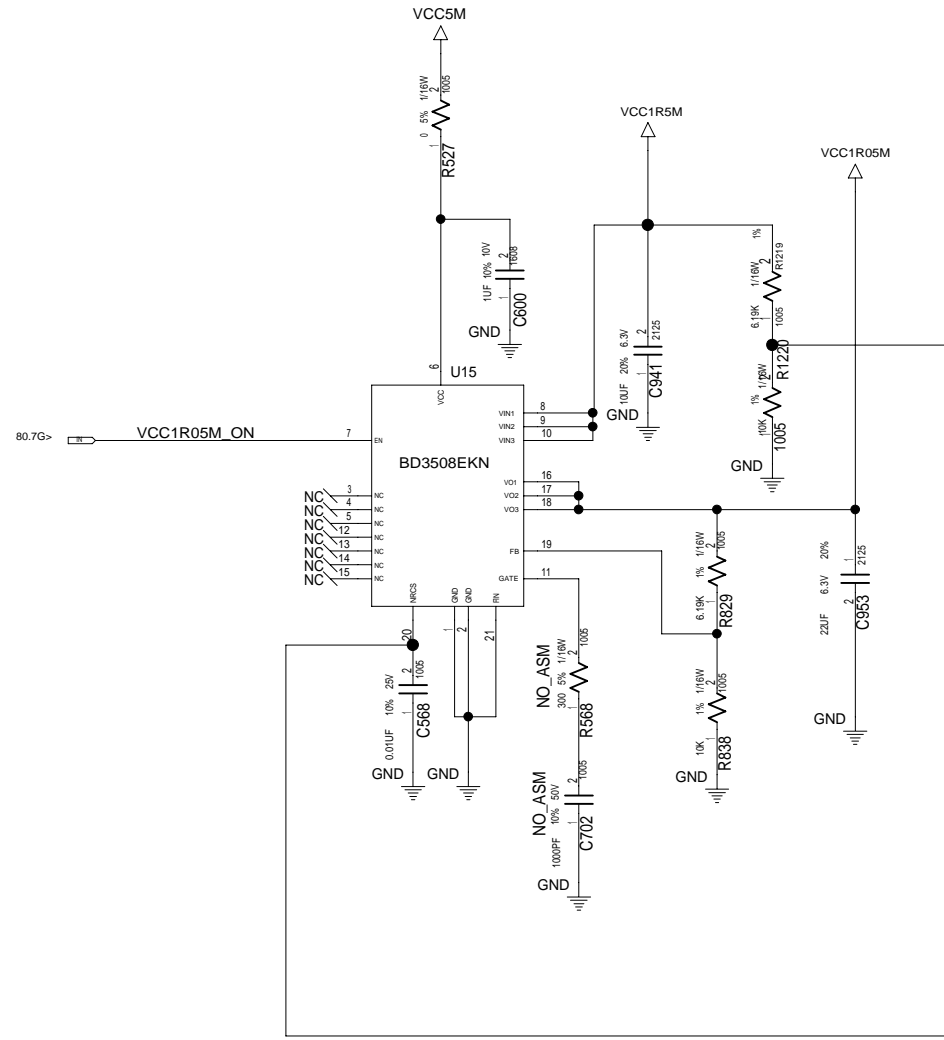
10UF 6.3V X5R 2125 1/16W X 16PCS

DESIGNER	K.Y	06/01/06	PART NO.	
CHECKED	Y.I	06/01/06	42W7622	
APPROVED	T.S	06/01/06	TITLE	MLB-1 SVT
CLASS	T.S	06/01/06	VCCCPUCORE DECOUPLING	

THIS DOCUMENT IS THE PROPERTY OF LENOVO/ITS USE IS AUTHORIZED ONLY FOR RESPONDING TO A REQUEST FOR QUOTATION OR FOR THE PERFORMANCE OF WORK FOR LENOVO/ALL QUESTIONS MUST BE REFERRED TO THE LENOVO PURCHASING DEPARTMENT.

LENOVO CONFIDENTIAL

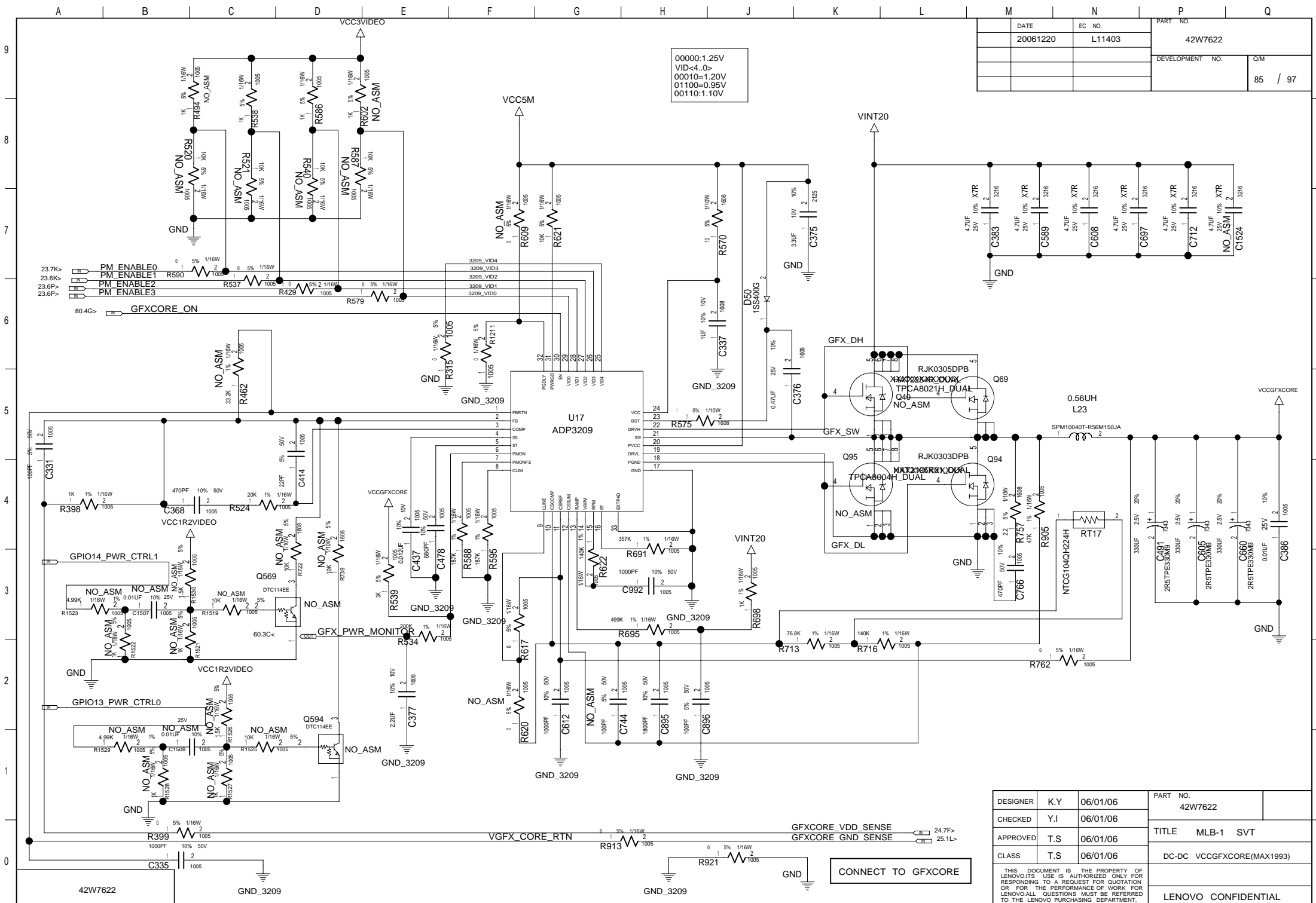
DATE		EC NO.		PART NO.	
20061220		L11403		42W7622	
DEVELOPMENT NO.				Q/M	
				84 / 97	



42W7622

DESIGNER	K.Y	06/01/06	PART NO.	42W7622
CHECKED	Y.I	06/01/06	TITLE MLB-1 SVT	
APPROVED	T.S	06/01/06	DC-DC VCC1R05M	
CLASS	T.S	06/01/06	LENOVO CONFIDENTIAL	

THIS DOCUMENT IS THE PROPERTY OF LENOVO/ITS USE IS AUTHORIZED ONLY FOR RESPONDING TO A REQUEST FOR QUOTATION OR FOR THE PERFORMANCE OF WORK FOR LENOVO/ALL QUESTIONS MUST BE REFERRED TO THE LENOVO PURCHASING DEPARTMENT.



00000:1.25V
 VID<4.0s
 00010=1.20V
 01100=0.95V
 00110:1.10V

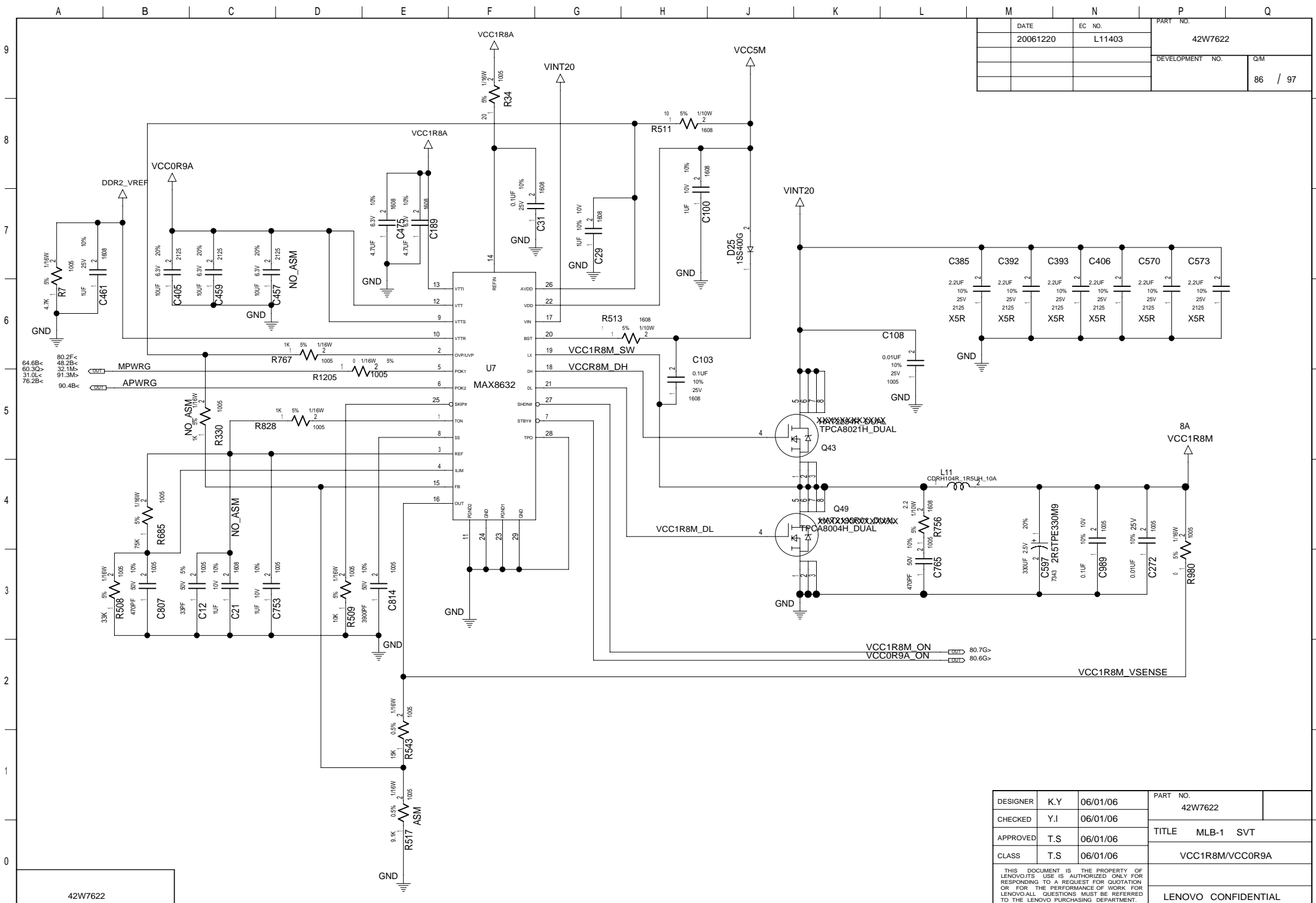
DATE	EC NO.	PART NO.
20061220	L11403	42W7622
DEVELOPMENT NO.		Q/M
		85 / 97

DESIGNER	K.Y	06/01/06	PART NO.	42W7622
CHECKED	Y.I	06/01/06	TITLE	
APPROVED	T.S	06/01/06	MLB-1 SVT	
CLASS	T.S	06/01/06	DC-DC VCCFXCORE(MAX1993)	

THIS DOCUMENT IS THE PROPERTY OF LENOVO. ITS USE IS AUTHORIZED ONLY FOR RESPONDING TO A REQUEST FOR QUOTATION OR FOR THE PERFORMANCE OF WORK FOR LENOVO. ALL QUESTIONS MUST BE REFERRED TO THE LENOVO PURCHASING DEPARTMENT.

LENOVO CONFIDENTIAL

CONNECT TO GFXCORE



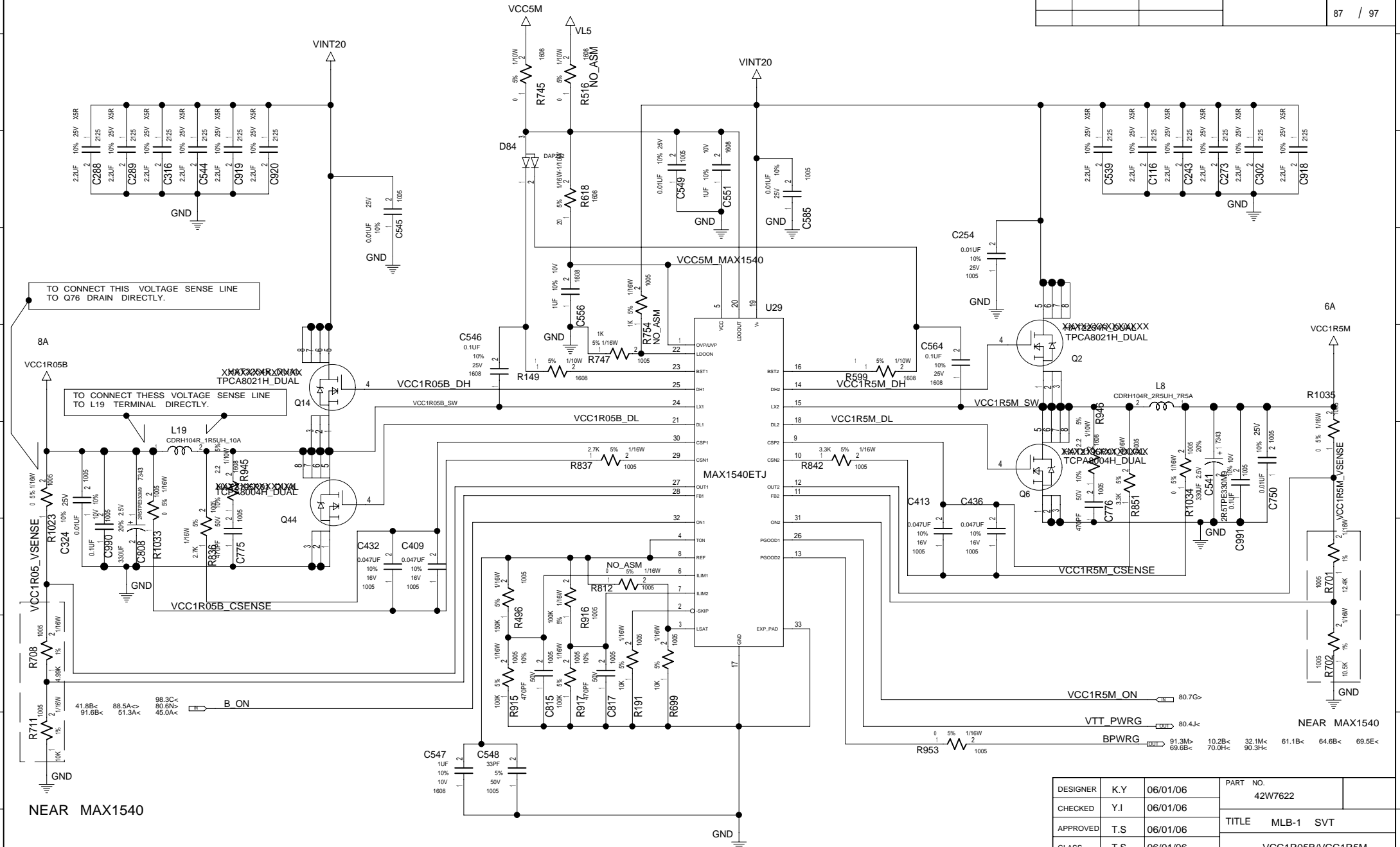
DATE	EC NO.	PART NO.	
20061220	L11403	42W7622	
		DEVELOPMENT NO.	Q/M
			86 / 97

64.66A	80.2F<
60.30A	48.2B<
31.0L<	38.11A
76.2B<	91.3M<
	90.4B<

VCC1R8M_ON	80.7G>
VCC0R9A_ON	80.6G>

DESIGNER	K.Y	06/01/06	PART NO.	42W7622
CHECKED	Y.I	06/01/06	TITLE MLB-1 SVT	
APPROVED	T.S	06/01/06	VCC1R8M/VCC0R9A	
CLASS	T.S	06/01/06	LENOVO CONFIDENTIAL	
THIS DOCUMENT IS THE PROPERTY OF LENOVO/ITS USE IS AUTHORIZED ONLY FOR RESPONDING TO A REQUEST FOR QUOTATION OR FOR THE PERFORMANCE OF WORK FOR LENOVO/ALL QUESTIONS MUST BE REFERRED TO THE LENOVO PURCHASING DEPARTMENT.				

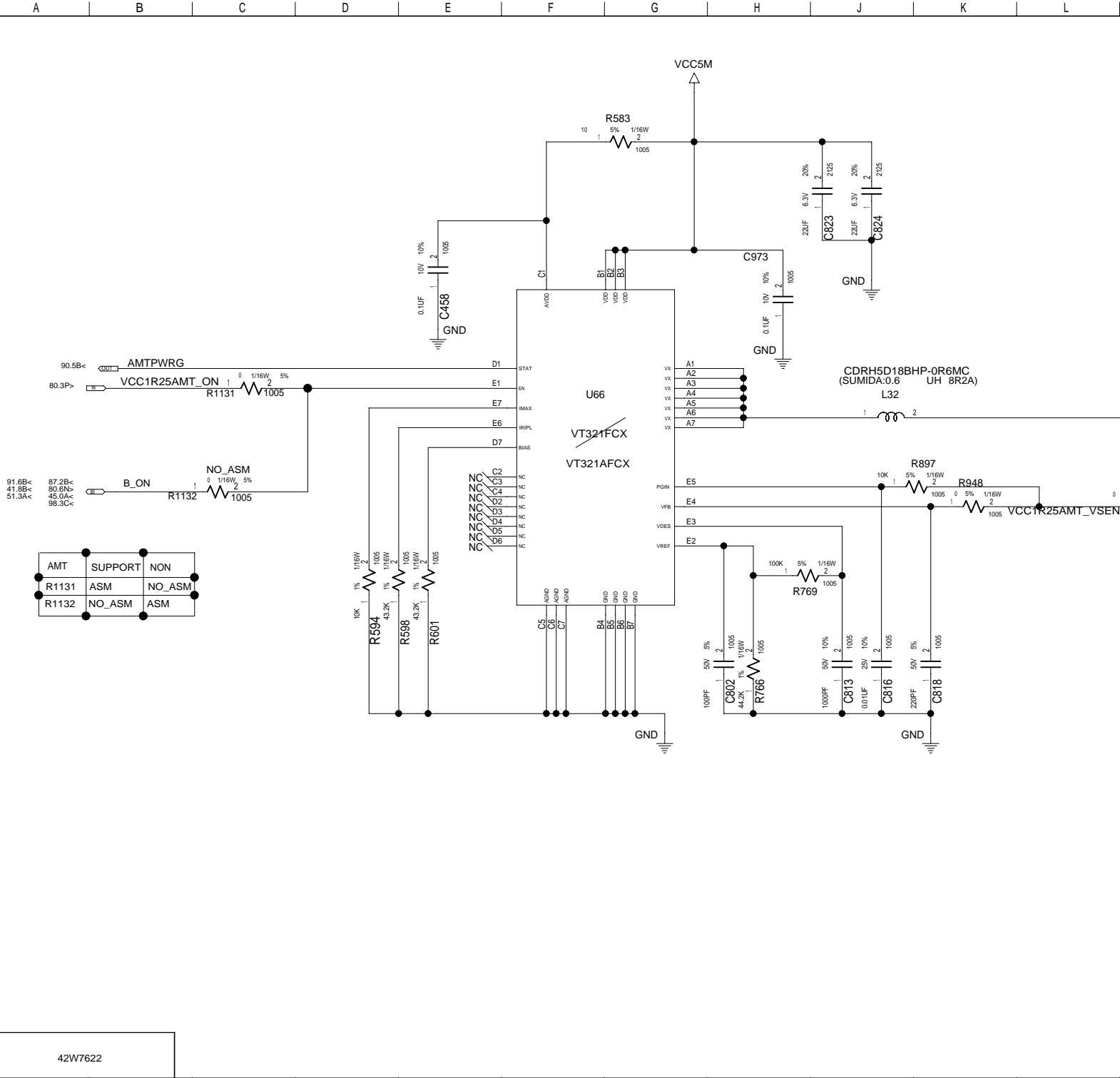
DATE	EC NO.	PART NO.
20061220	L11403	42W7622
DEVELOPMENT NO.		Q/M
		87 / 97



DESIGNER	K.Y	06/01/06	PART NO.	42W7622
CHECKED	Y.I	06/01/06	TITLE	MLB-1 SVT
APPROVED	T.S	06/01/06	VCC1R05B/VCC1R5M	
CLASS	T.S	06/01/06	LENOVO CONFIDENTIAL	

THIS DOCUMENT IS THE PROPERTY OF LENOVO/IVTS. USE IS AUTHORIZED ONLY FOR RESPONDING TO A REQUEST FOR QUOTATION OR FOR THE PERFORMANCE OF WORK FOR LENOVO. ALL QUESTIONS MUST BE REFERRED TO THE LENOVO PURCHASING DEPARTMENT.

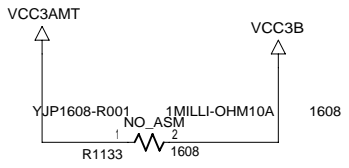
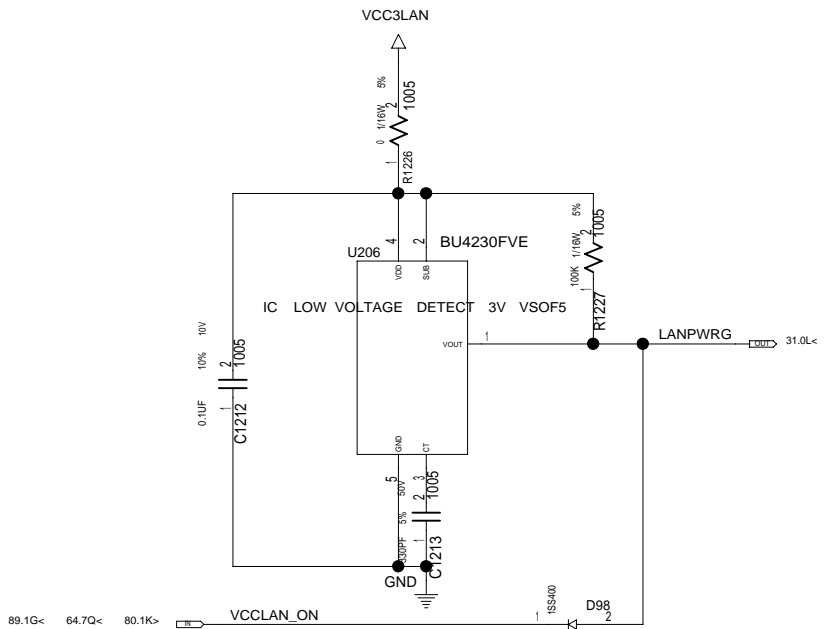
DATE	EC NO.	PART NO.	
20061220	L11403	42W7622	
		DEVELOPMENT NO.	Q/M
			88 / 97



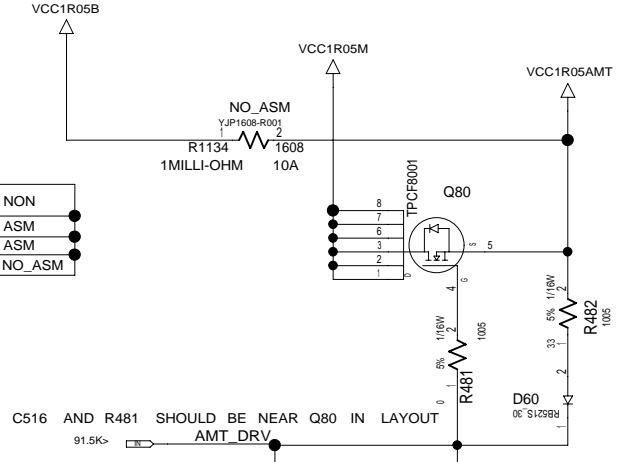
AMT	SUPPORT	NON
R1131	ASM	NO_ASM
R1132	NO_ASM	ASM

DESIGNER	K.Y	06/01/06	PART NO.	42W7622
CHECKED	Y.I	06/01/06	TITLE	MLB-1 SVT
APPROVED	T.S	06/01/06	CLASS	DC-DC VCC1R25AMT
CLASS	T.S	06/01/06	THIS DOCUMENT IS THE PROPERTY OF LENOVO/ITS USE IS AUTHORIZED ONLY FOR RESPONDING TO A REQUEST FOR QUOTATION OR FOR THE PERFORMANCE OF WORK FOR LENOVO/ALL QUESTIONS MUST BE REFERRED TO THE LENOVO PURCHASING DEPARTMENT.	
LENOVO CONFIDENTIAL				

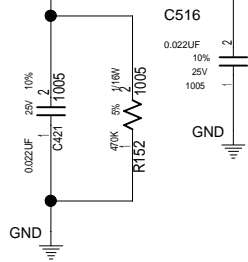
DATE	EC NO.	PART NO.
20061220	L11403	42W7622
DEVELOPMENT NO.		Q/M
		89 / 97



AMT	SUPPORT	NON
R1133	NO_ASM	ASM
R1134	NO_ASM	ASM
THE OTHER	ASM	NO_ASM



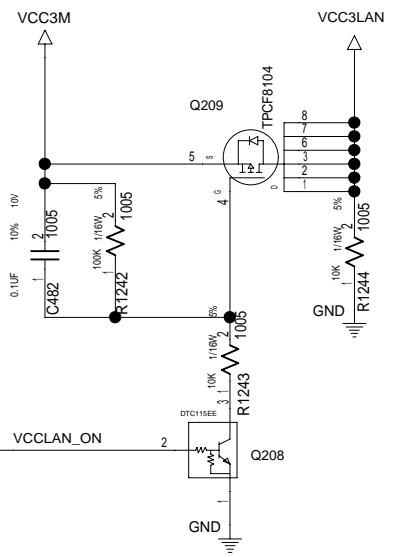
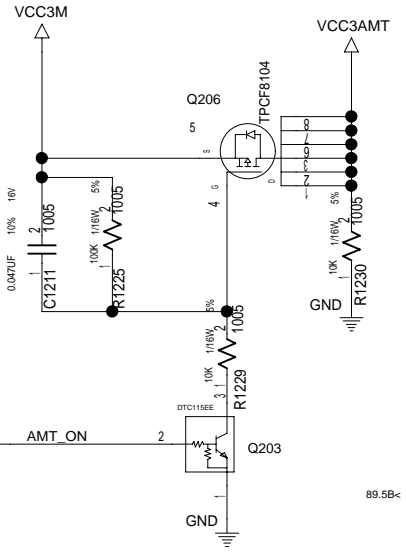
C516 AND R481 SHOULD BE NEAR Q80 IN LAYOUT



AMT	SUPPORT	NON
ASM	NO_ASM	

LOGIC

91.5B< 80.5A< 80.1F< 80.2P>



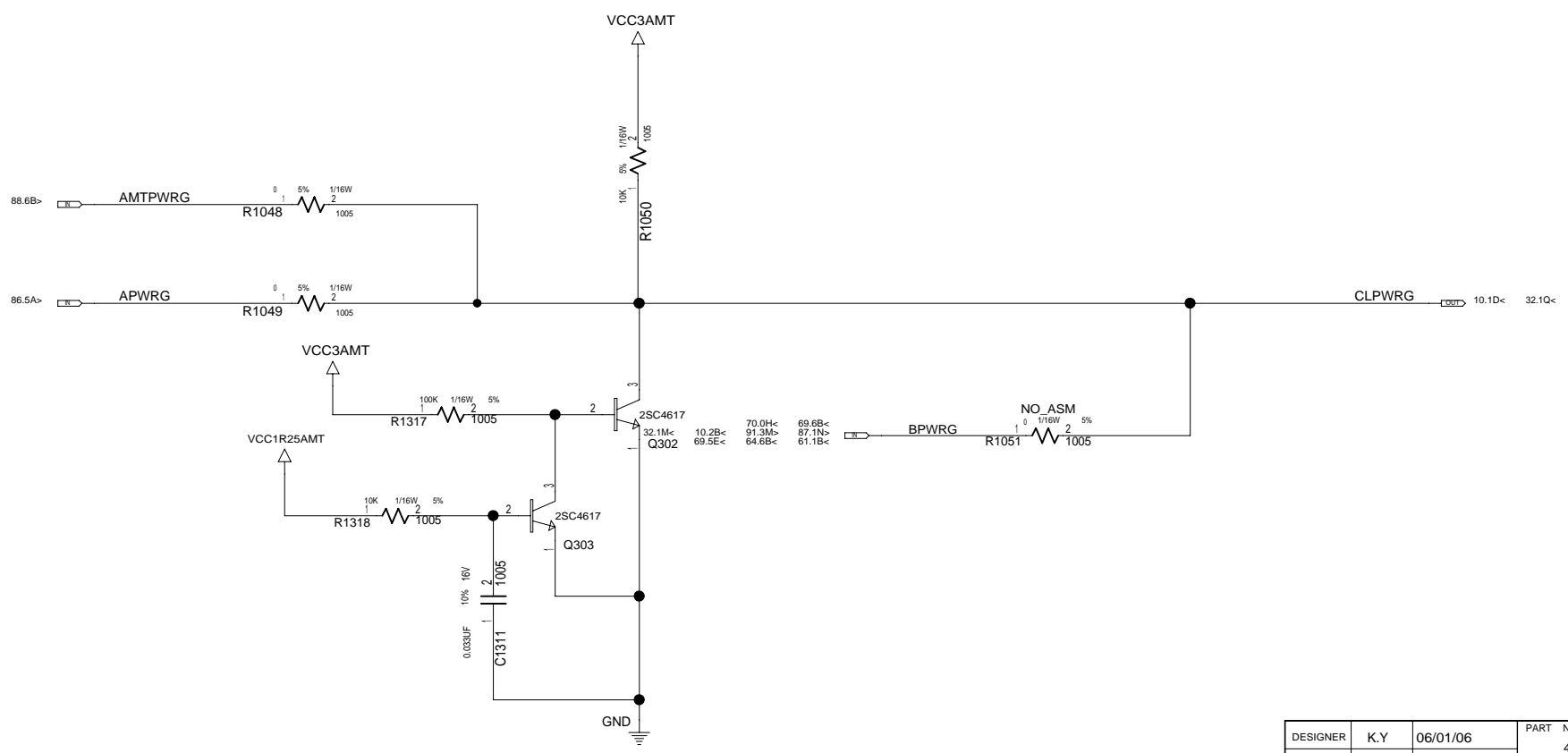
DESIGNER	K.Y	06/01/06	PART NO.	42W7622
CHECKED	Y.I	06/01/06	TITLE	MLB-1 SVT
APPROVED	T.S	06/01/06	LOAD SW	AMT
CLASS	T.S	06/01/06		

THIS DOCUMENT IS THE PROPERTY OF LENOVO/ITS USE IS AUTHORIZED ONLY FOR RESPONDING TO A REQUEST FOR QUOTATION OR FOR THE PERFORMANCE OF WORK FOR LENOVO/ALL QUESTIONS MUST BE REFERRED TO THE LENOVO PURCHASING DEPARTMENT.

LENOVO CONFIDENTIAL

DATE	EC NO.	PART NO.	
20061220	L11403	42W7622	
		DEVELOPMENT NO.	Q/M
			90 / 97

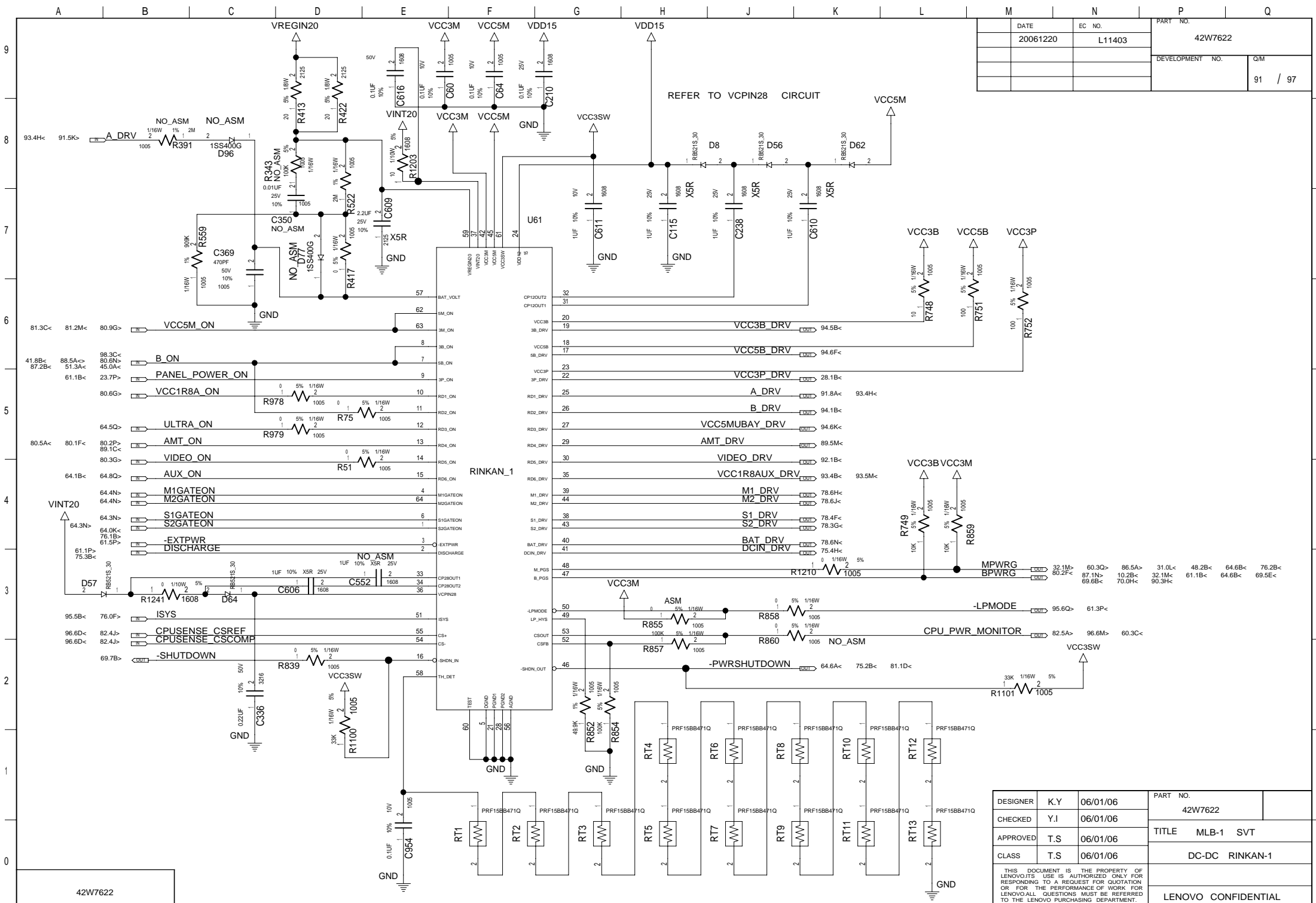
	AMT	NON-AMT
R1051	NO_ASM	ASM
OTHERS	ASM	NO_ASM



42W7622

DESIGNER	K.Y	06/01/06	PART NO.	42W7622
CHECKED	Y.I	06/01/06	TITLE MLB-1 SVT	
APPROVED	T.S	06/01/06	PWRG	
CLASS	T.S	06/01/06	LENOVO CONFIDENTIAL	

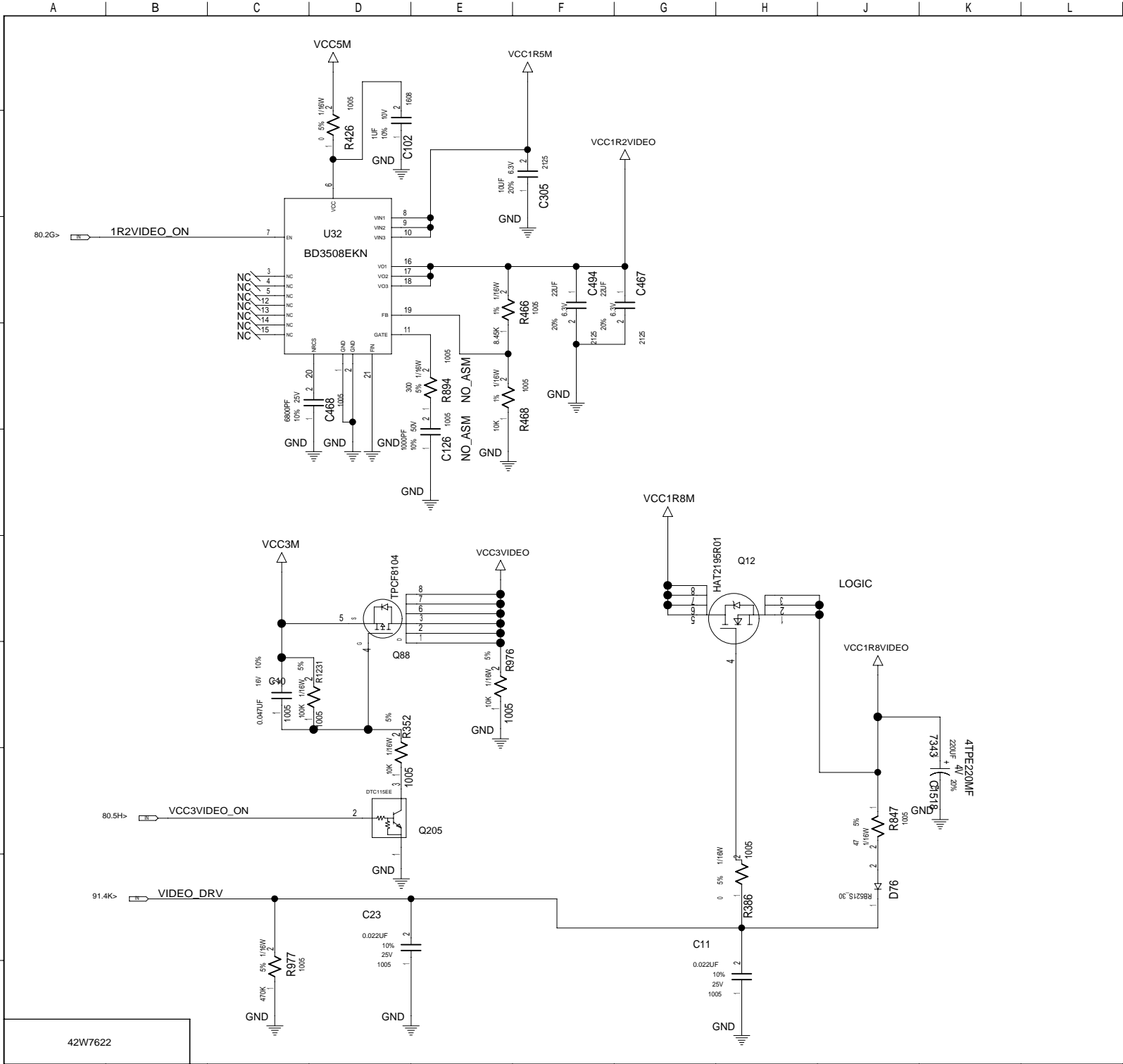
THIS DOCUMENT IS THE PROPERTY OF LENOVO/ITS USE IS AUTHORIZED ONLY FOR RESPONDING TO A REQUEST FOR QUOTATION OR FOR THE PERFORMANCE OF WORK FOR LENOVO/ALL QUESTIONS MUST BE REFERRED TO THE LENOVO PURCHASING DEPARTMENT.



DATE	EC NO.	PART NO.
20061220	L11403	42W7622
DEVELOPMENT NO.		Q/M
		91 / 97

DESIGNER	K.Y	06/01/06	PART NO.	42W7622
CHECKED	Y.I	06/01/06	TITLE	MLB-1 SVT
APPROVED	T.S	06/01/06	CLASS	DC-DC RINKAN-1
CLASS	T.S	06/01/06	THIS DOCUMENT IS THE PROPERTY OF LENOVO/ITS USE IS AUTHORIZED ONLY FOR RESPONDING TO A REQUEST FOR QUOTATION OR FOR THE PERFORMANCE OF WORK FOR LENOVO/ALL QUESTIONS MUST BE REFERRED TO THE LENOVO PURCHASING DEPARTMENT.	
				LENOVO CONFIDENTIAL

DATE	EC NO.	PART NO.	
20061220	L11403	42W7622	
		DEVELOPMENT NO.	Q/M
			92 / 97

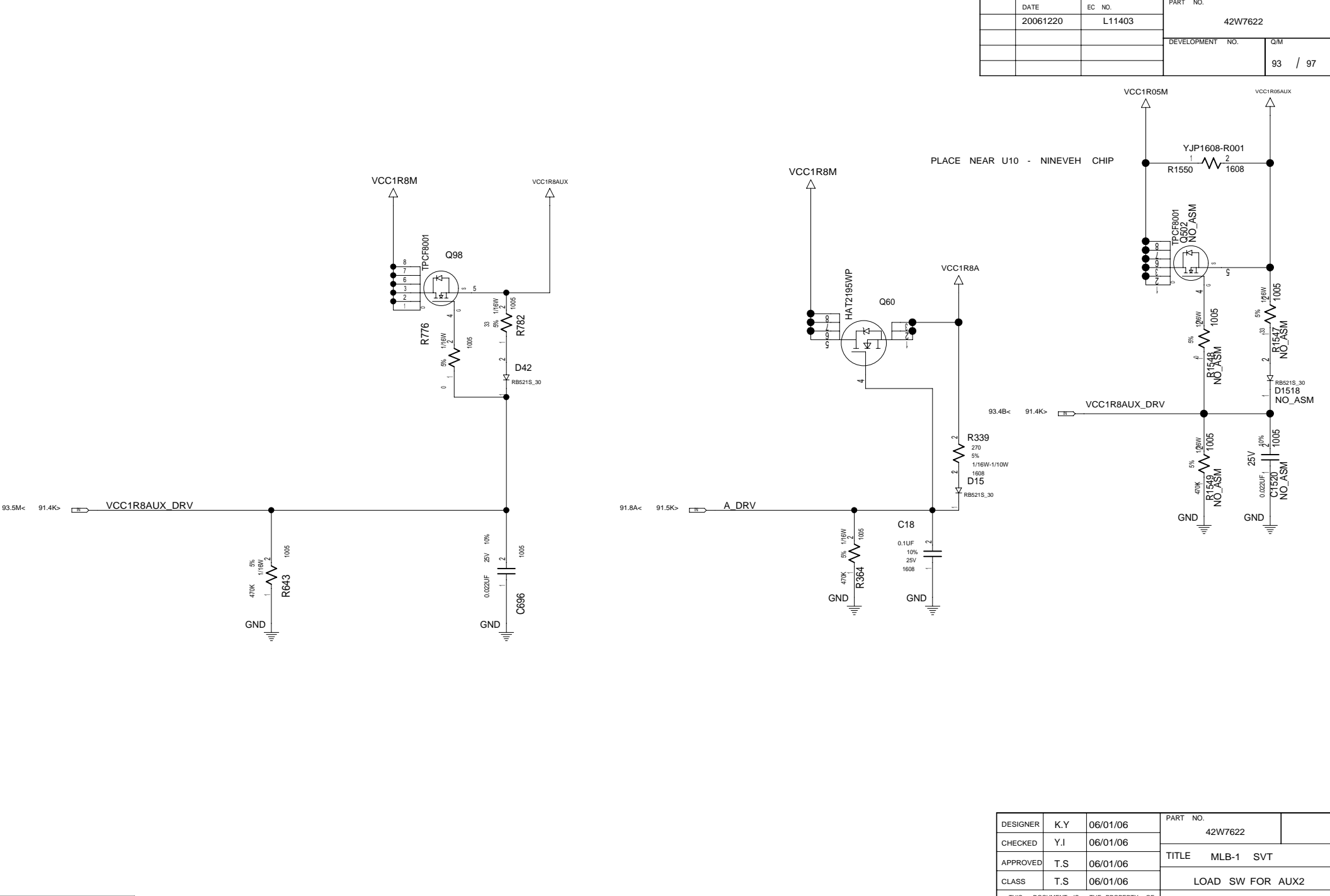


DESIGNER	K.Y	06/01/06	PART NO.	42W7622
CHECKED	Y.I	06/01/06	TITLE MLB-1 SVT	
APPROVED	T.S	06/01/06	LOAD SW VIDEO	
CLASS	T.S	06/01/06	LENOVO CONFIDENTIAL	

THIS DOCUMENT IS THE PROPERTY OF LENOVO/ITS USE IS AUTHORIZED ONLY FOR RESPONDING TO A REQUEST FOR QUOTATION OR FOR THE PERFORMANCE OF WORK FOR LENOVO/ALL QUESTIONS MUST BE REFERRED TO THE LENOVO PURCHASING DEPARTMENT.

42W7622

DATE	EC NO.	PART NO.	
20061220	L11403	42W7622	
		DEVELOPMENT NO.	Q/M
			93 / 97

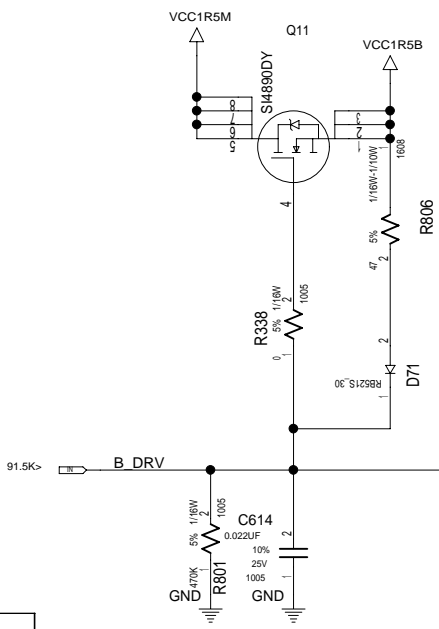
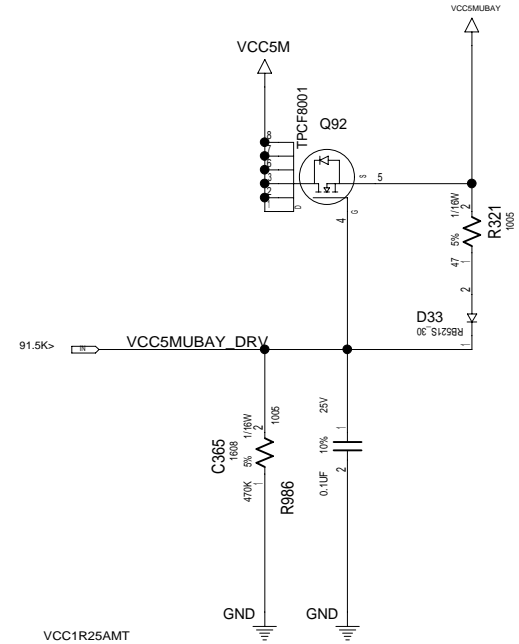
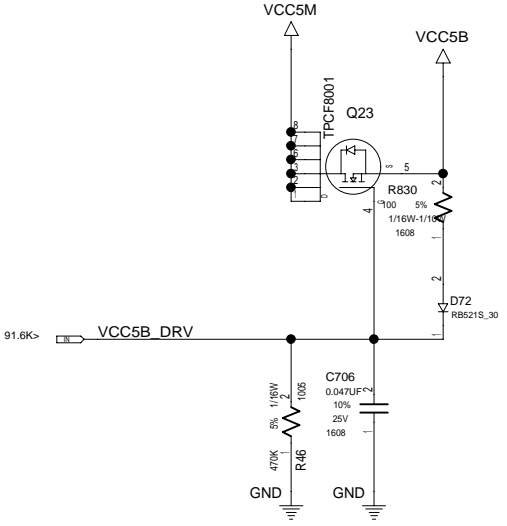
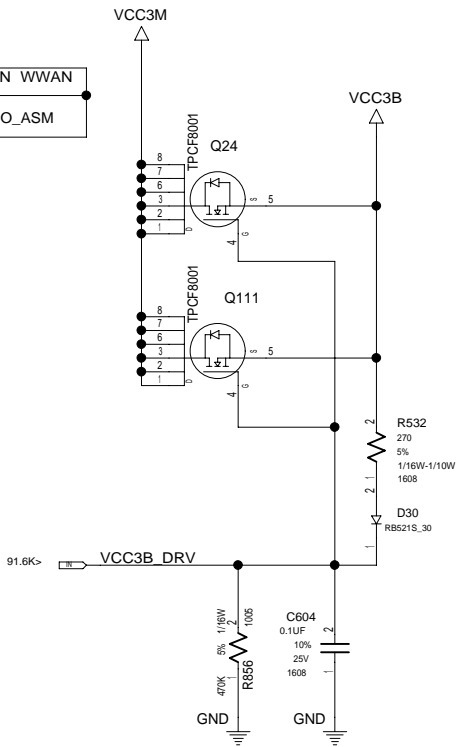
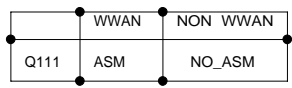


DESIGNER	K.Y	06/01/06	PART NO.	42W7622
CHECKED	Y.I	06/01/06	TITLE	MLB-1 SVT
APPROVED	T.S	06/01/06		
CLASS	T.S	06/01/06		

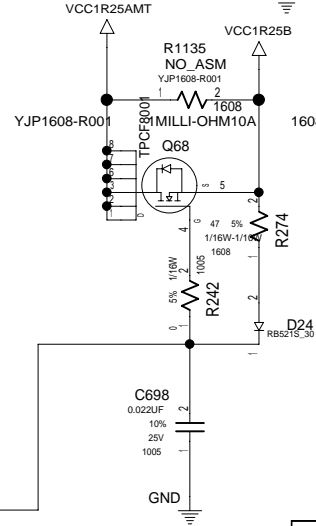
THIS DOCUMENT IS THE PROPERTY OF LENOVO. ITS USE IS AUTHORIZED ONLY FOR RESPONDING TO A REQUEST FOR QUOTATION OR FOR THE PERFORMANCE OF WORK FOR LENOVO. ALL QUESTIONS MUST BE REFERRED TO THE LENOVO PURCHASING DEPARTMENT.

LENOVO CONFIDENTIAL

DATE	EC NO.	PART NO.	
20061220	L11403	42W7622	
		DEVELOPMENT NO.	Q/M
			94 / 97



AMT	SUPPORT	NON
R1135	NO_ASM	ASM
Q68	ASM	NO_ASM
R242	ASM	NO_ASM
R274		
D24		
C698		
C614	0.022UF	0.047UF

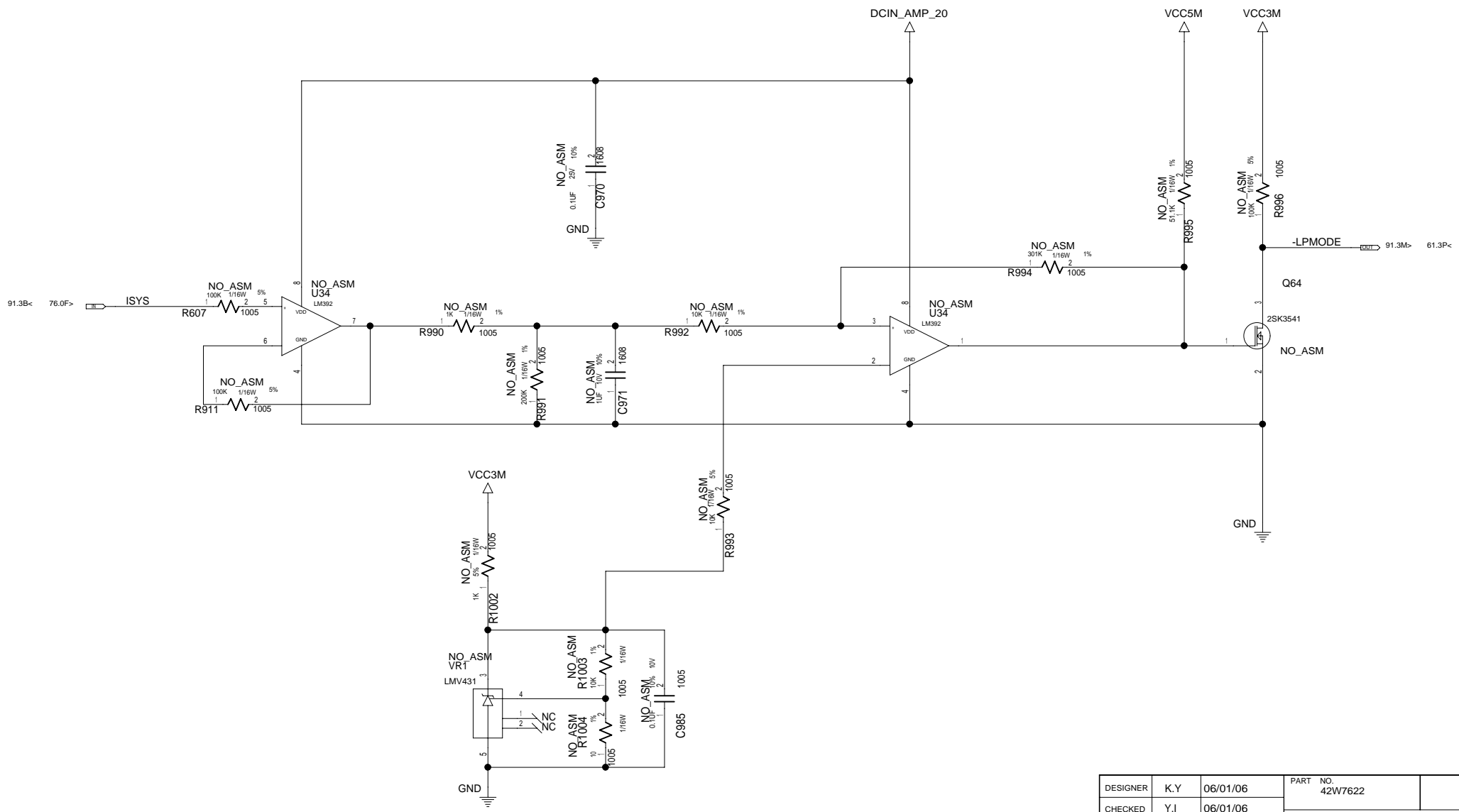


DESIGNER	K.Y	06/01/06	PART NO.	42W7622
CHECKED	Y.I	06/01/06	TITLE	MLB-1 SVT
APPROVED	T.S	06/01/06		LOAD SW BUBAY
CLASS	T.S	06/01/06		

THIS DOCUMENT IS THE PROPERTY OF LENOVO/ITS USE IS AUTHORIZED ONLY FOR RESPONDING TO A REQUEST FOR QUOTATION OR FOR THE PERFORMANCE OF WORK FOR LENOVO. ALL QUESTIONS MUST BE REFERRED TO THE LENOVO PURCHASING DEPARTMENT.

LENOVO CONFIDENTIAL

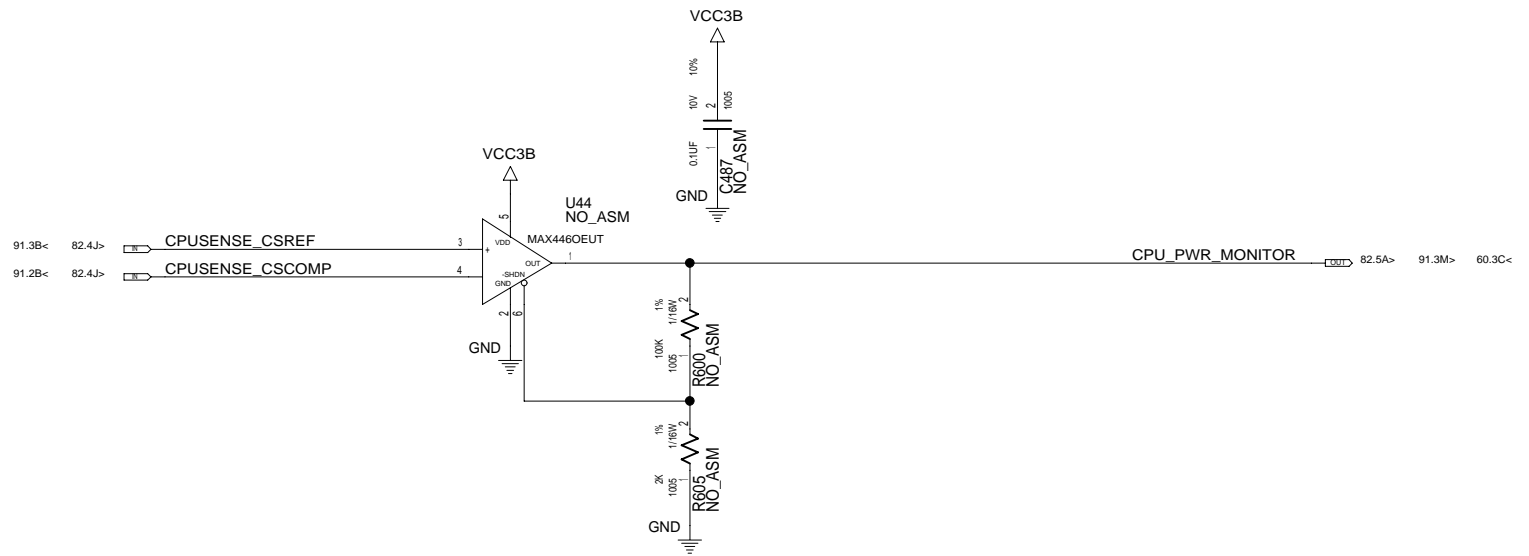
DATE	EC NO.	PART NO.	
20061220	L11403	42W7622	
		DEVELOPMENT NO.	Q/M
			95 / 97



DESIGNER	K.Y	06/01/06	PART NO.	42W7622
CHECKED	Y.I	06/01/06	TITLE MLB-1 SVT	
APPROVED	T.S	06/01/06	MAX POWER CTRL	
CLASS	T.S	06/01/06	LENOVO CONFIDENTIAL	

THIS DOCUMENT IS THE PROPERTY OF LENOVO/ITS USE IS AUTHORIZED ONLY FOR RESPONDING TO A REQUEST FOR QUOTATION OR FOR THE PERFORMANCE OF WORK FOR LENOVO/ALL QUESTIONS MUST BE REFERRED TO THE LENOVO PURCHASING DEPARTMENT.

DATE	EC NO.	PART NO.	
20061220	L11403	42W7622	
		DEVELOPMENT NO.	Q/M
			96 / 97

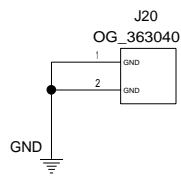
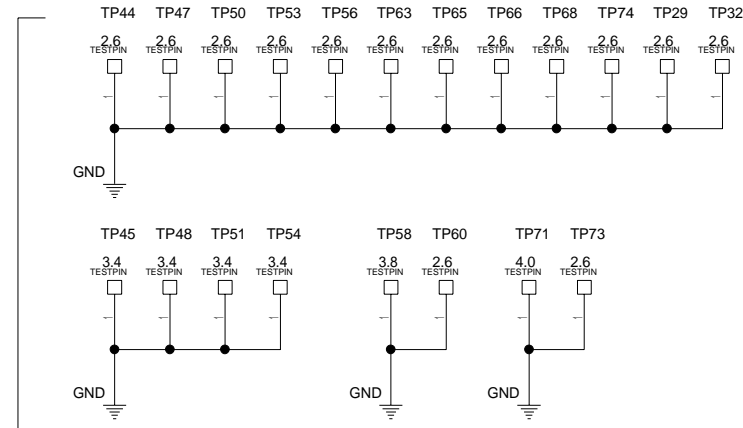


42W7622

DESIGNER	K.Y	06/01/06	PART NO.	42W7622
CHECKED	Y.I	06/01/06	TITLE MLB-1 SVT	
APPROVED	T.S	06/01/06		
CLASS	T.S	06/01/06	POWER MONITOR	
<p>THIS DOCUMENT IS THE PROPERTY OF LENOVO/ITS USE IS AUTHORIZED ONLY FOR RESPONDING TO A REQUEST FOR QUOTATION OR FOR THE PERFORMANCE OF WORK FOR LENOVO/ALL QUESTIONS MUST BE REFERRED TO THE LENOVO PURCHASING DEPARTMENT.</p>				
LENOVO CONFIDENTIAL				

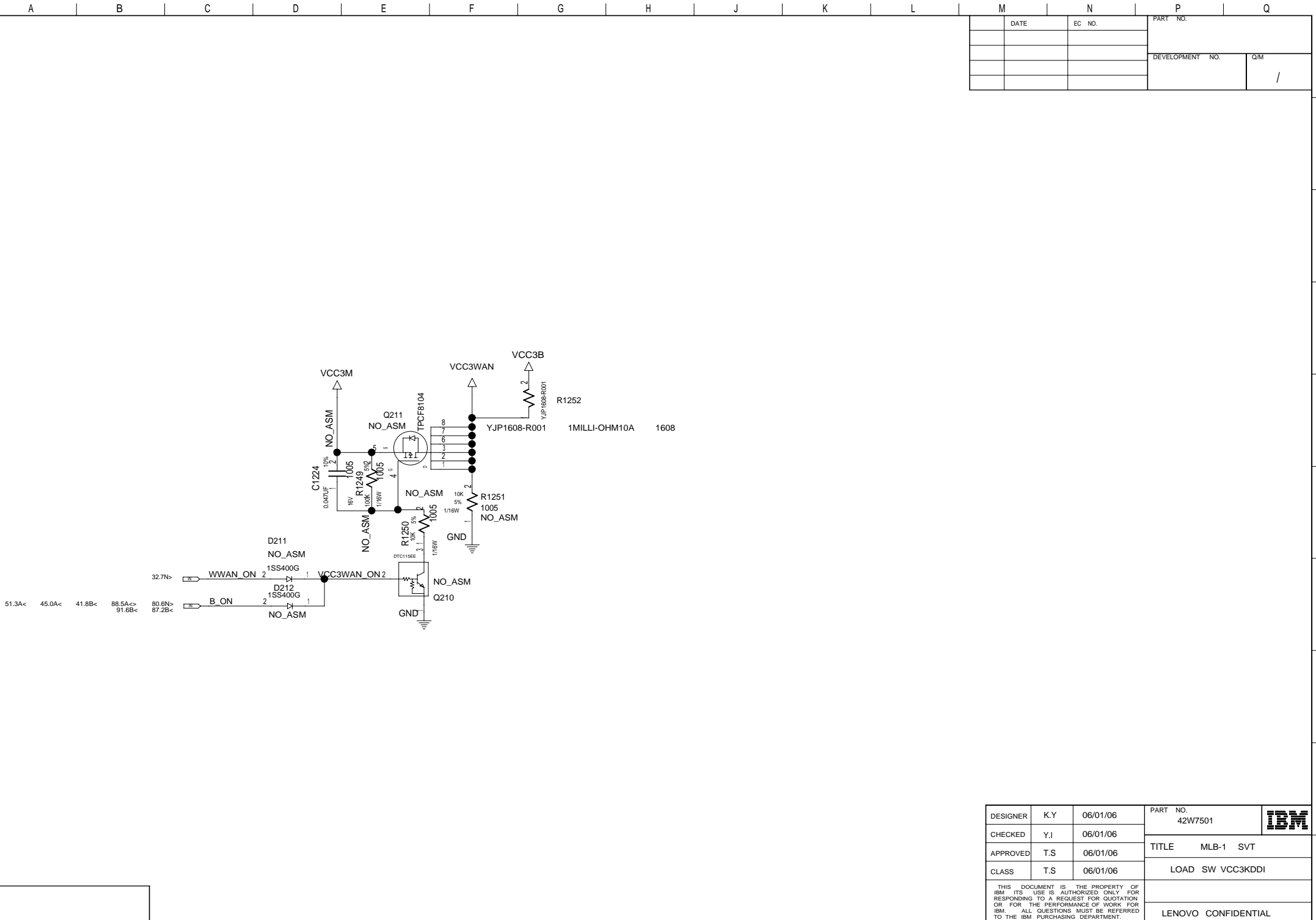
DATE		EC NO.		PART NO.	
20061220		L11403		42W7622	
DEVELOPMENT NO.				Q/M	
				97 / 97	

PTH FOR SCREW HOLE



DESIGNER	K.Y	06/01/06	PART NO.	42W7622
CHECKED	Y.I	06/01/06	TITLE MLB-1 SVT	
APPROVED	T.S	06/01/06	PTH FOR SCREW HOLES	
CLASS	T.S	06/01/06	LENOVO CONFIDENTIAL	
<small>THIS DOCUMENT IS THE PROPERTY OF LENOVO/ITS USE IS AUTHORIZED ONLY FOR RESPONDING TO A REQUEST FOR QUOTATION OR FOR THE PERFORMANCE OF WORK FOR LENOVO/ALL QUESTIONS MUST BE REFERRED TO THE LENOVO PURCHASING DEPARTMENT.</small>				

	DATE	EC NO.	PART NO.	
			DEVELOPMENT NO.	Q/M
				/



DESIGNER	K.Y	06/01/06	PART NO.	42W7501	
CHECKED	Y.I	06/01/06	TITLE		
APPROVED	T.S	06/01/06	CLASS		LOAD SW VCC3KDDI
THIS DOCUMENT IS THE PROPERTY OF IBM. ITS USE IS AUTHORIZED ONLY FOR RESPONDING TO A REQUEST FOR QUOTATION OR FOR THE PERFORMANCE OF WORK FOR IBM. ALL QUESTIONS MUST BE REFERRED TO THE IBM PURCHASING DEPARTMENT.			LENOVO CONFIDENTIAL		