

VENICE-1 PLANAR SVT

VER 2.04A 07/06/2001

	DATE	EC NO.	PART NO.
	07/06/01	VER 2.04A	
			DEVELOPMENT NO.
			Q/M
			1 /76

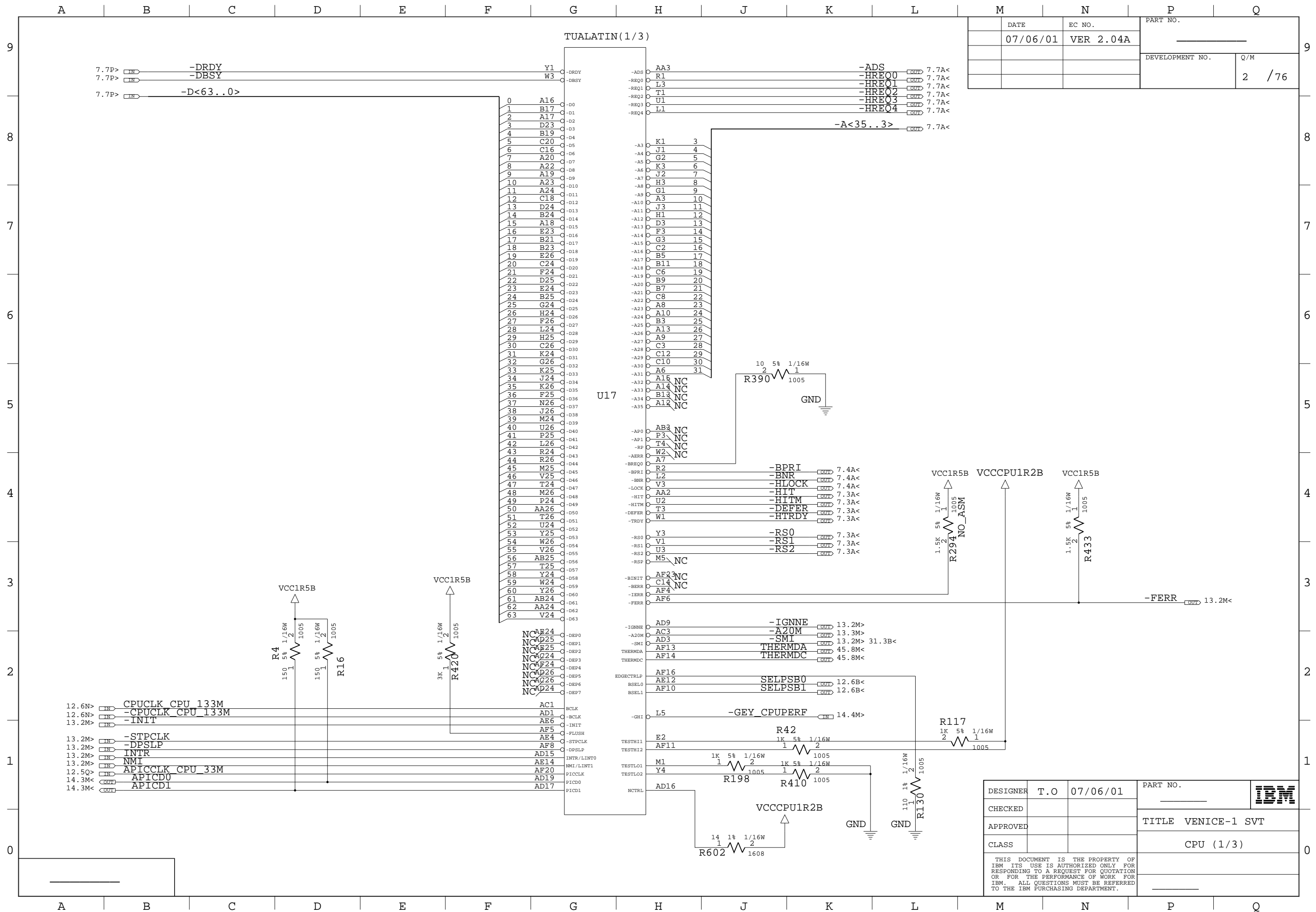
- | | |
|----------------------------------|--------------------------------|
| 1. TITLE PAGE | 41. DOCKING |
| 2. CPU (1/3) | 42. CLEAN SHEET BAY |
| 3. CPU (2/3) | 43. 2ND CLEAN SHEET BAY |
| 4. CPU (3/3) | 44. CDC0 CONNECTOR |
| 5. DECAP FOR VCCCPU1R2B | 45. THERMAL SENSOR |
| 6. CAPS FOR VCCCPUCORE | 46. I2CBUS/SMBUS/CRYPT |
| 7. GMCH3-M(1/3):HOST I/F | 47. IR MODULE |
| 8. GMCH3-M(2/3):MEMORY | 48. GFX ATI P6(1/3) |
| 9. GMCH3-M(3/3):AGP/HUB | 49. GFX ATI P6(2/3) |
| 10. REF VOL & DECAPS | 50. GFX ATI P6(3/3) |
| 11. DIMM CARD CONNECTOR | 51. GFX CLOCK MODULATOR |
| 12. CLOCK GEN(CK-SOLANO2-M) | 52. GFX SGRAM |
| 13. ICH3-M(1/3) | 53. GFX PULL-UPS FOR STRAPPING |
| 14. ICH3-M(2/3) | 54. GFX TV-IN/OUT |
| 15. ICH3-M(3/3) | 55. GFX SAA7114 |
| 16. HDD I/F CONNECTOR | 56. SUBCARD CONNECTOR |
| 17. USB CONNECTOR | 57. RJ11/RJ45 I/F CONNECTOR |
| 18. USB POWER | 58. DCDC DC-IN AND CHARGER |
| 19. FWH,RTC BAT. | 59. DCDC BATTERY INPUT |
| 20. H8S/2169A | 60. DCDC TRICKLE CHARGER |
| 21. KEYBOARD , PS/2 | 61. DCDC BATTERY MONITOR |
| 22. MISC G/A (PMH-2) | 62. DCDC VCC3M/VCC5M(MAX1632) |
| 23. POWER ON LOGIC | 63. DCDC VCCCPUCORE |
| 24. SUPER I/O PC87392 | 64. DCDC VCC1R5B |
| 25. SERIAL I/F | 65. DCDC VCC1R8,VIDEO2R5A |
| 26. PARALLEL PORT | 66. DCDC KOZAK |
| 27. EXT CRT CONNECTOR | 67. DCDC VCC3AUX |
| 28. CARD BUS -R5C522(1/2) | 68. DCDC VID MUX |
| 29. CARD BUS -R5C522(2/2) | 69. DCDC VCCCPU1R2B |
| 30. CARD BUS POWER CTRL | 70. IEEE1394 PHY |
| 31. TEST PADS | 71. FAN CONNECTOR AND SWITCH |
| 32. AUDIO CS4624+CS4299 | 72. LED |
| 33. AUDIO MISC | 73. LCD CONNECTOR |
| 34. AUDIO INT MIC | 74. FP CONNECTOR |
| 35. AUDIO HEADPHONE/LINE IN CONN | 75. CDC1 CONNECTOR |
| 36. AUDIO EXT MIC CONN | 76. FWH2 |
| 37. AUDIO SPK CONN | |
| 38. AUDIO HDP AMP AN7515 | |
| 39. MINI PCI | |
| 40. PCI BUS SWITCH | |

- 2.00 EC APPLIED TO VENICE-1 VER 1.07 MAY/30/2001
- 2.01 EC APPLIED TO VENICE-1 JUN/11/2001
- 2.02 EC APPLIED TO VENICE-1 JUN/21/2001
- 2.03 EC APPLIED TO VENICE-1 JUN/28/2001
- 2.03A ERROR CORRECTED JUN/29/2001
- 2.04 EC APPLIED TO VENICE-1 JUL/05/2001
- 2.04A ERROR CORRECTED JUL/06/2001

DRAWING:
VENICE1
VNC1

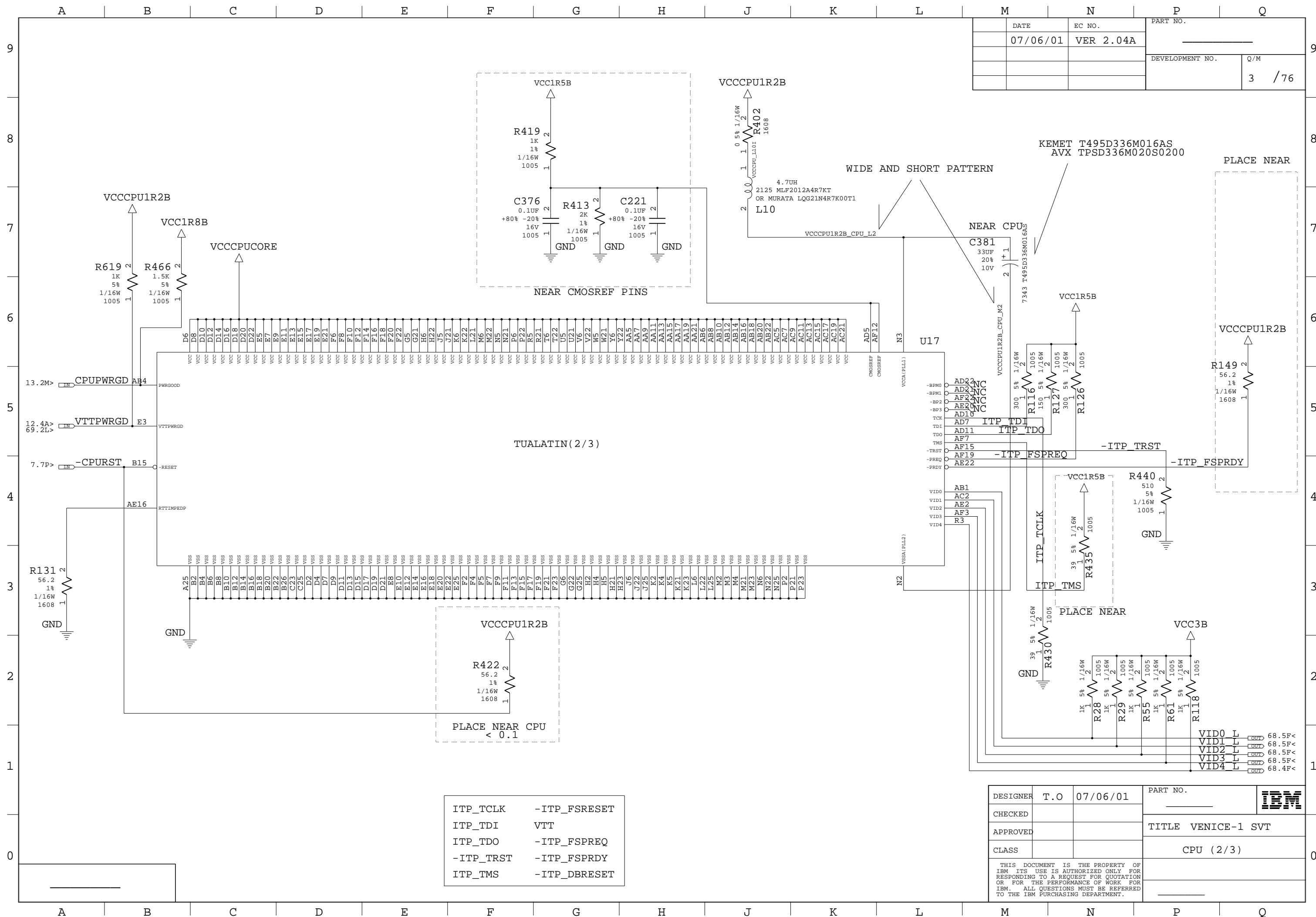
Fri Jul 6 09:20:55 2001

DESIGNER	T.O	07/06/01	PART NO.	IBM
CHECKED			TITLE VENICE-1 SVT	
APPROVED			TITLE PAGE	
CLASS			THIS DOCUMENT IS THE PROPERTY OF IBM ITS USE IS AUTHORIZED ONLY FOR RESPONDING TO A REQUEST FOR QUOTATION OR FOR THE PERFORMANCE OF WORK FOR IBM. ALL QUESTIONS MUST BE REFERRED TO THE IBM PURCHASING DEPARTMENT.	



DATE	EC NO.	PART NO.	
07/06/01	VER 2.04A		
		DEVELOPMENT NO.	Q/M
		2	/76

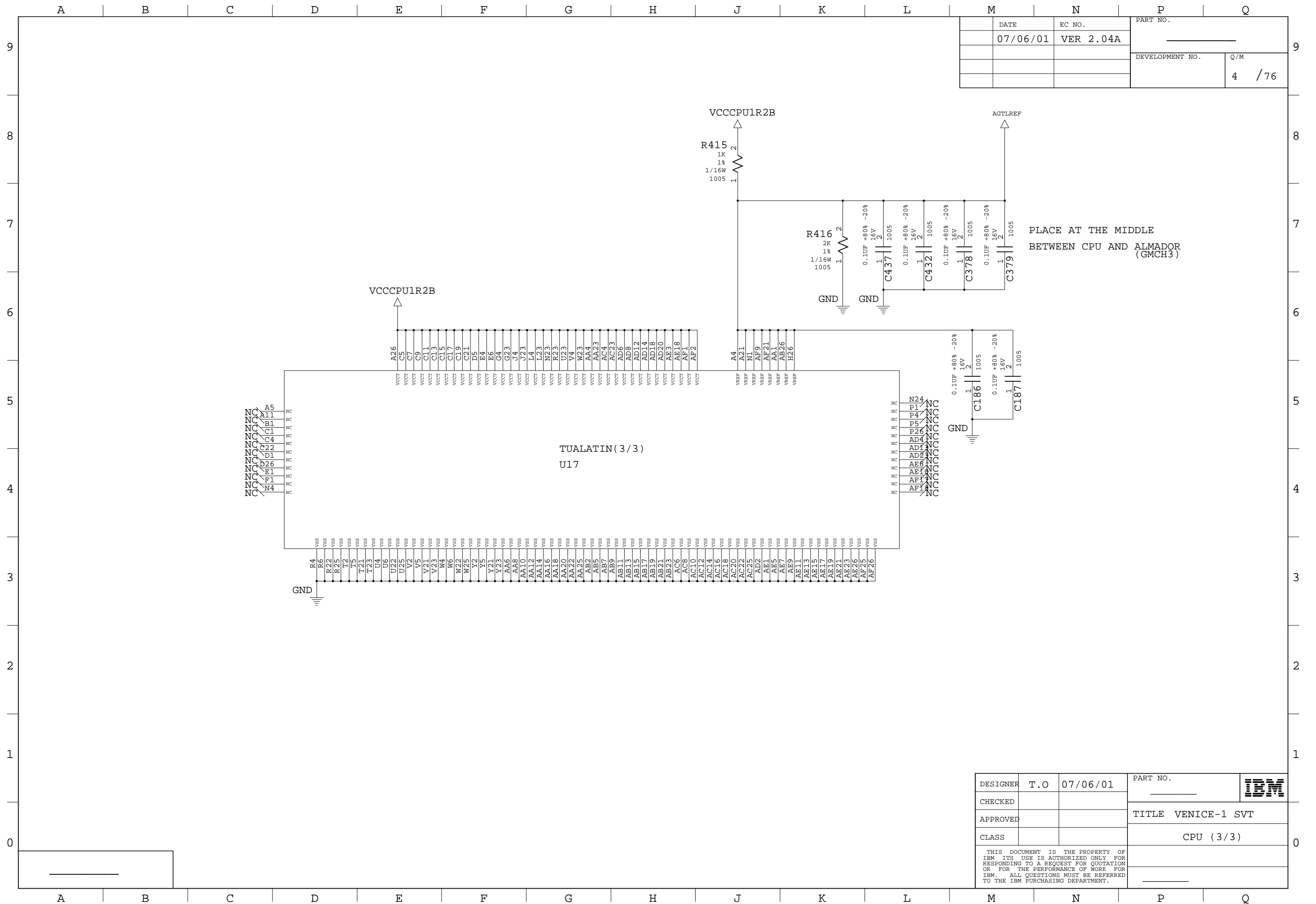
DESIGNER	T.O	07/06/01	PART NO.	IBM
CHECKED				
APPROVED			TITLE	VENICE-1 SVT
CLASS				CPU (1/3)
THIS DOCUMENT IS THE PROPERTY OF IBM ITS USE IS AUTHORIZED ONLY FOR RESPONDING TO A REQUEST FOR QUOTATION OR FOR THE PERFORMANCE OF WORK FOR IBM. ALL QUESTIONS MUST BE REFERRED TO THE IBM PURCHASING DEPARTMENT.				



DATE	EC NO.	PART NO.
07/06/01	VER 2.04A	
DEVELOPMENT NO.		Q/M
		3 / 76

ITP_TCLK	-ITP_FSRESET
ITP_TDI	VTT
ITP_TDO	-ITP_FSPREQ
-ITP_TRST	-ITP_FSPRDY
ITP_TMS	-ITP_DBRESET

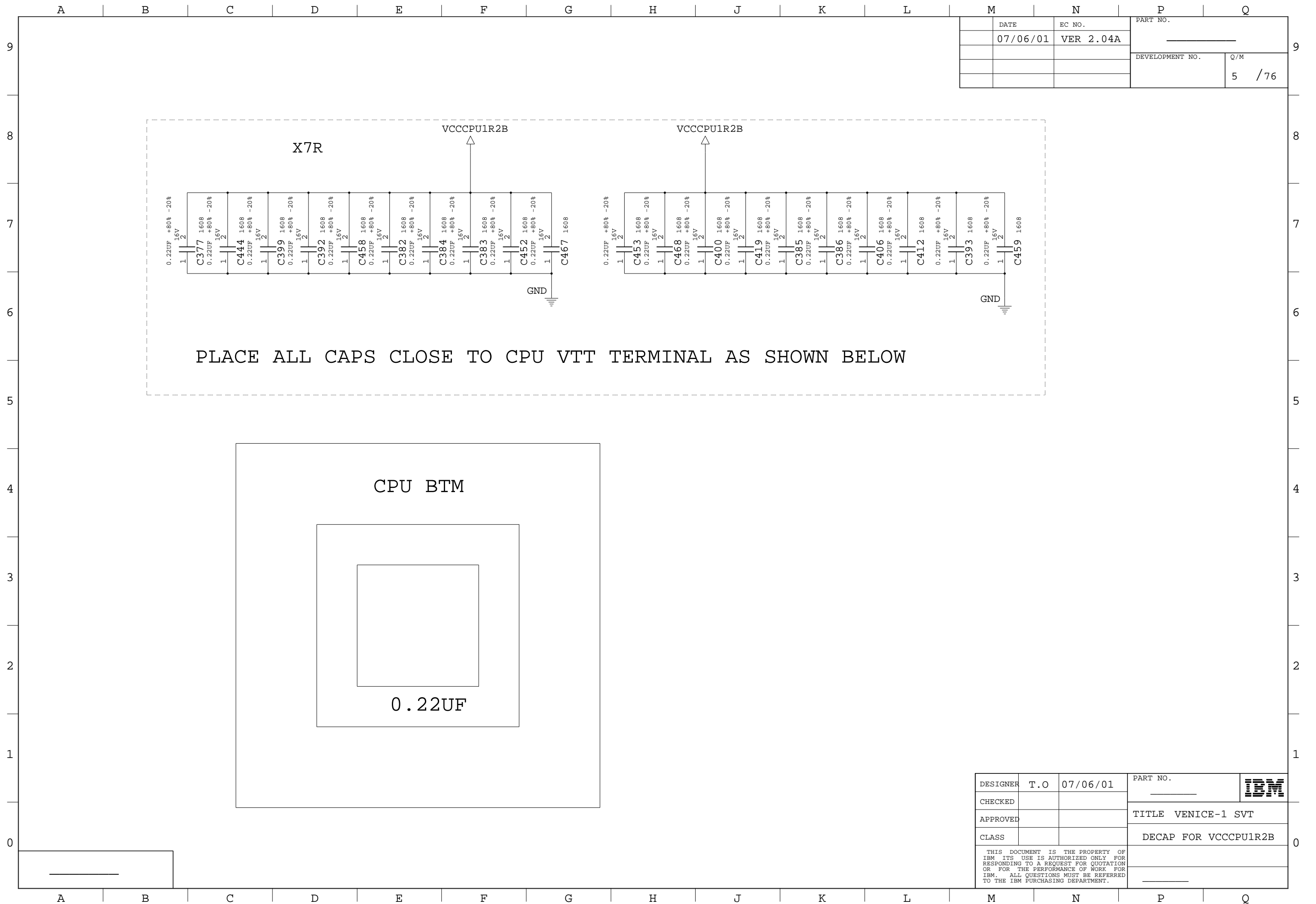
DESIGNER	T.O	07/06/01	PART NO.	IBM
CHECKED			TITLE	VENICE-1 SVT
APPROVED			CLASS	CPU (2/3)
THIS DOCUMENT IS THE PROPERTY OF IBM. ITS USE IS AUTHORIZED ONLY FOR RESPONDING TO A REQUEST FOR QUOTATION OR FOR THE PERFORMANCE OF WORK FOR IBM. ALL QUESTIONS MUST BE REFERRED TO THE IBM PURCHASING DEPARTMENT.				



DATE	EC NO.	PART NO.	
07/06/01	VER 2.04A		
		DEVELOPMENT NO.	Q/M
			4 / 76

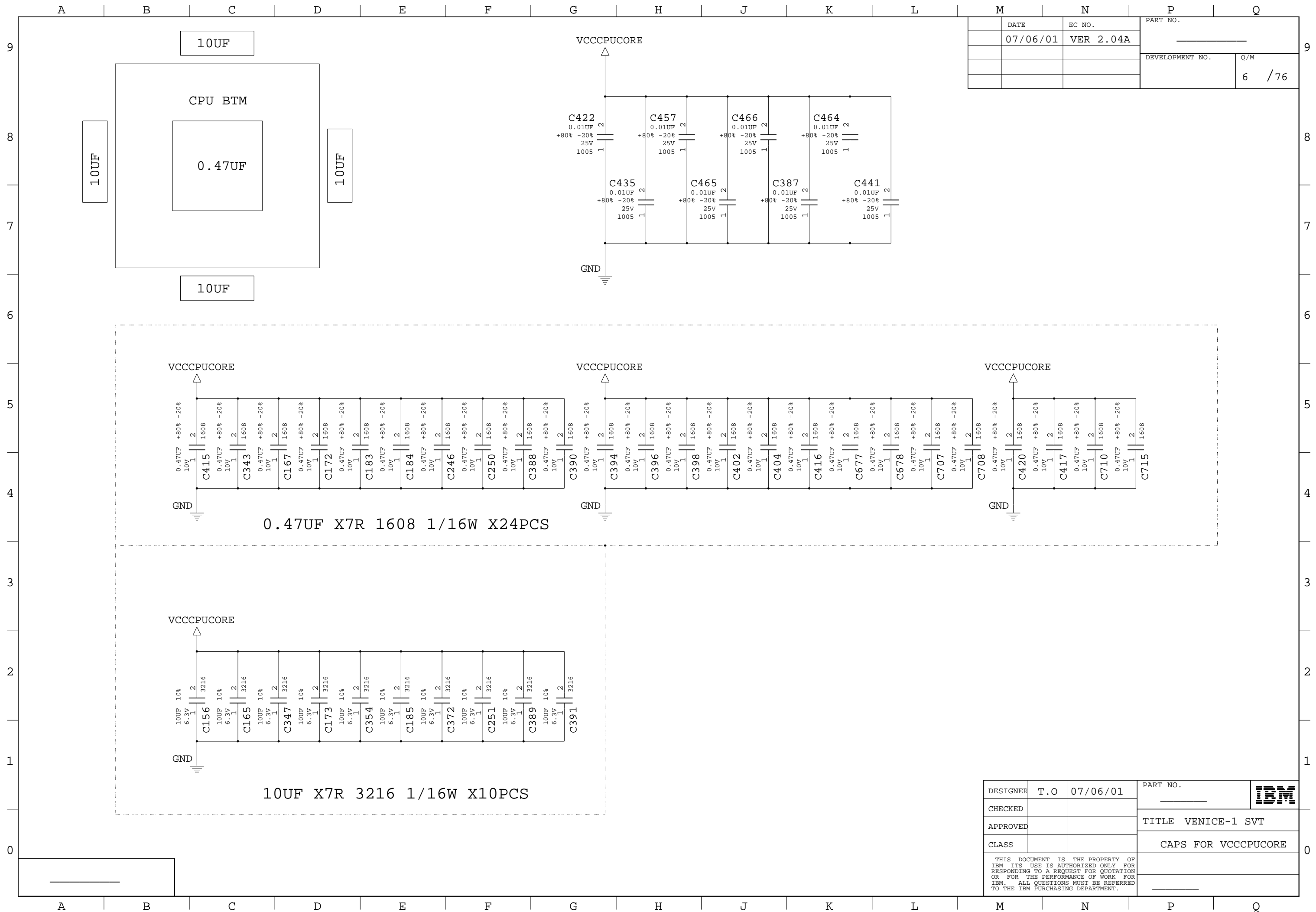
PLACE AT THE MIDDLE
BETWEEN CPU AND ALMADOR
(GMCH3)

DESIGNER	T.O	07/06/01	PART NO.	IBM
CHECKED				
APPROVED			TITLE VENICE-1 SVT	
CLASS			CPU (3/3)	
THIS DOCUMENT IS THE PROPERTY OF IBM. ITS USE IS AUTHORIZED ONLY FOR RESPONDING TO A REQUEST FOR QUOTATION OR FOR THE PERFORMANCE OF WORK FOR IBM. ALL QUESTIONS MUST BE REFERRED TO THE IBM PURCHASING DEPARTMENT.				



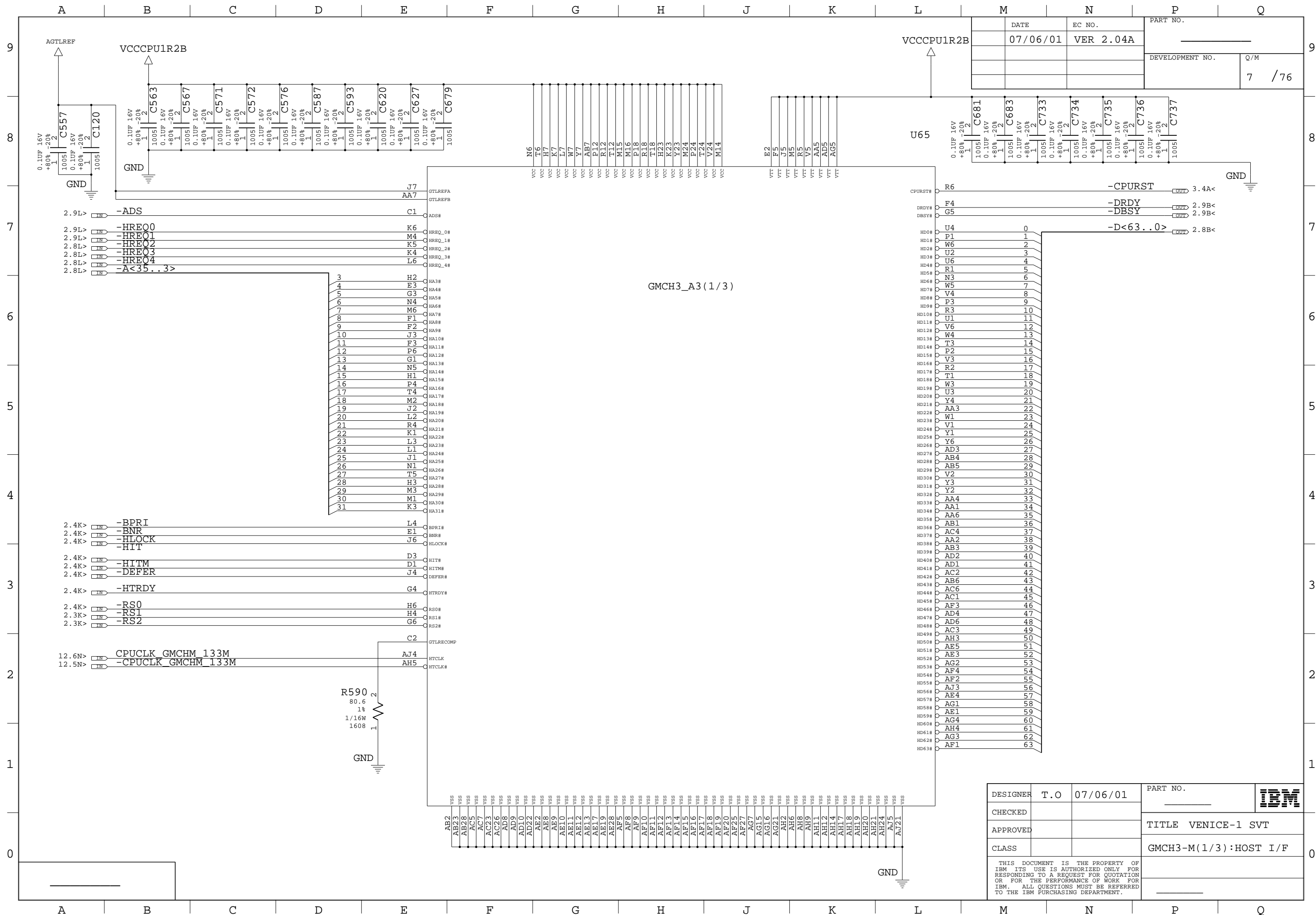
DATE	EC NO.	PART NO.	
07/06/01	VER 2.04A	_____	
		DEVELOPMENT NO.	Q/M
		5	/76

DESIGNER	T.O	07/06/01	PART NO.	IBM
CHECKED			_____	
APPROVED			TITLE VENICE-1 SVT	
CLASS			DECAP FOR VCCCPU1R2B	
THIS DOCUMENT IS THE PROPERTY OF IBM ITS USE IS AUTHORIZED ONLY FOR RESPONDING TO A REQUEST FOR QUOTATION OR FOR THE PERFORMANCE OF WORK FOR IBM. ALL QUESTIONS MUST BE REFERRED TO THE IBM PURCHASING DEPARTMENT.				_____



DATE	EC NO.	PART NO.	
07/06/01	VER 2.04A		
DEVELOPMENT NO.		Q/M	
		6 /76	

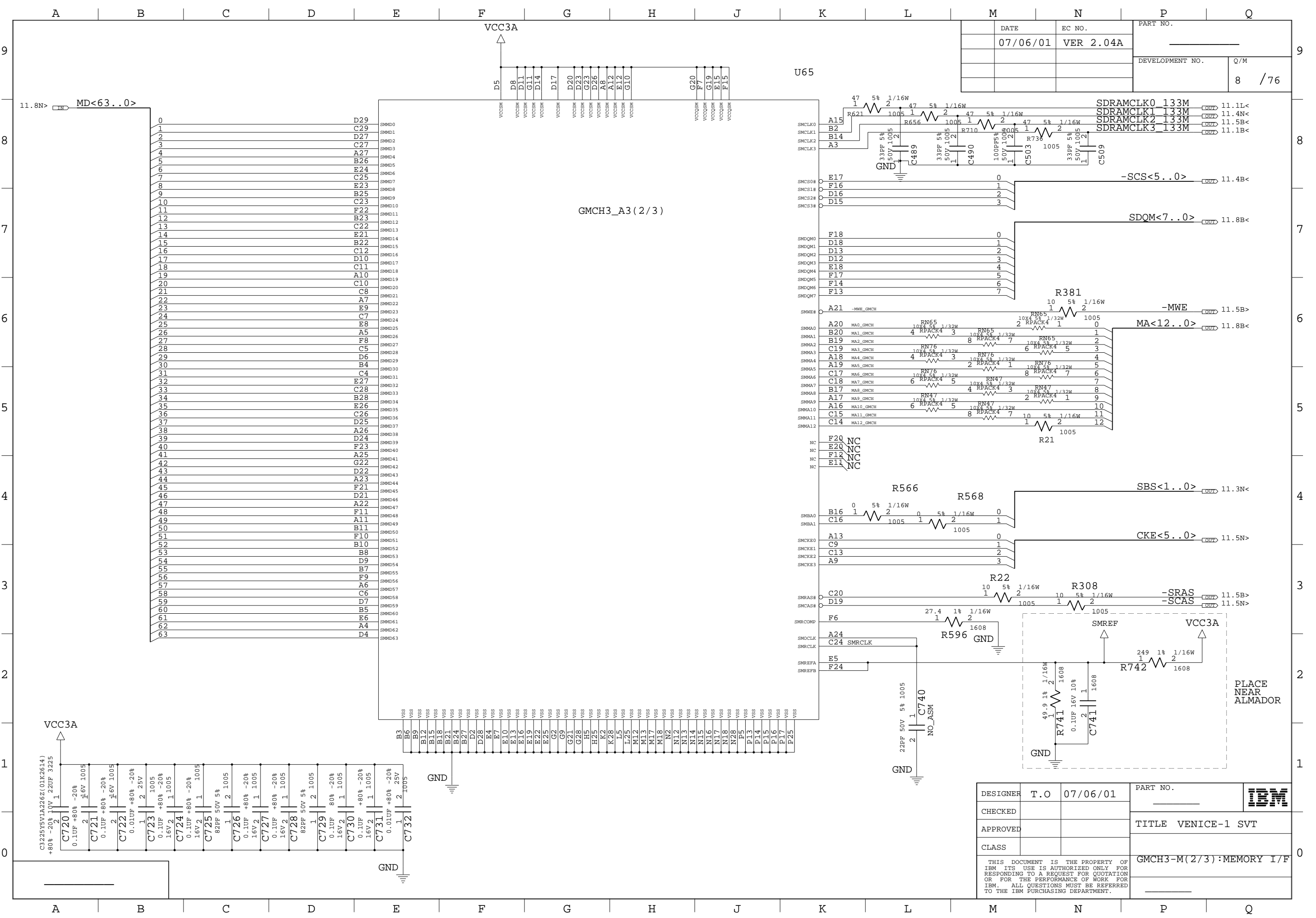
DESIGNER	T.O	07/06/01	PART NO.	IBM
CHECKED				
APPROVED			TITLE VENICE-1 SVT	
CLASS			CAPS FOR VCCCPUCORE	
THIS DOCUMENT IS THE PROPERTY OF IBM ITS USE IS AUTHORIZED ONLY FOR RESPONDING TO A REQUEST FOR QUOTATION OR FOR THE PERFORMANCE OF WORK FOR IBM. ALL QUESTIONS MUST BE REFERRED TO THE IBM PURCHASING DEPARTMENT.				



DATE	07/06/01	EC NO.	VER 2.04A	PART NO.	
DEVELOPMENT NO.			7 / 76		

DESIGNER	T.O	07/06/01	PART NO.	
CHECKED			TITLE VENICE-1 SVT	
APPROVED			GMCH3-M(1/3):HOST I/F	
CLASS			THIS DOCUMENT IS THE PROPERTY OF IBM. ITS USE IS AUTHORIZED ONLY FOR RESPONDING TO A REQUEST FOR QUOTATION OR FOR THE PERFORMANCE OF WORK FOR IBM. ALL QUESTIONS MUST BE REFERRED TO THE IBM PURCHASING DEPARTMENT.	

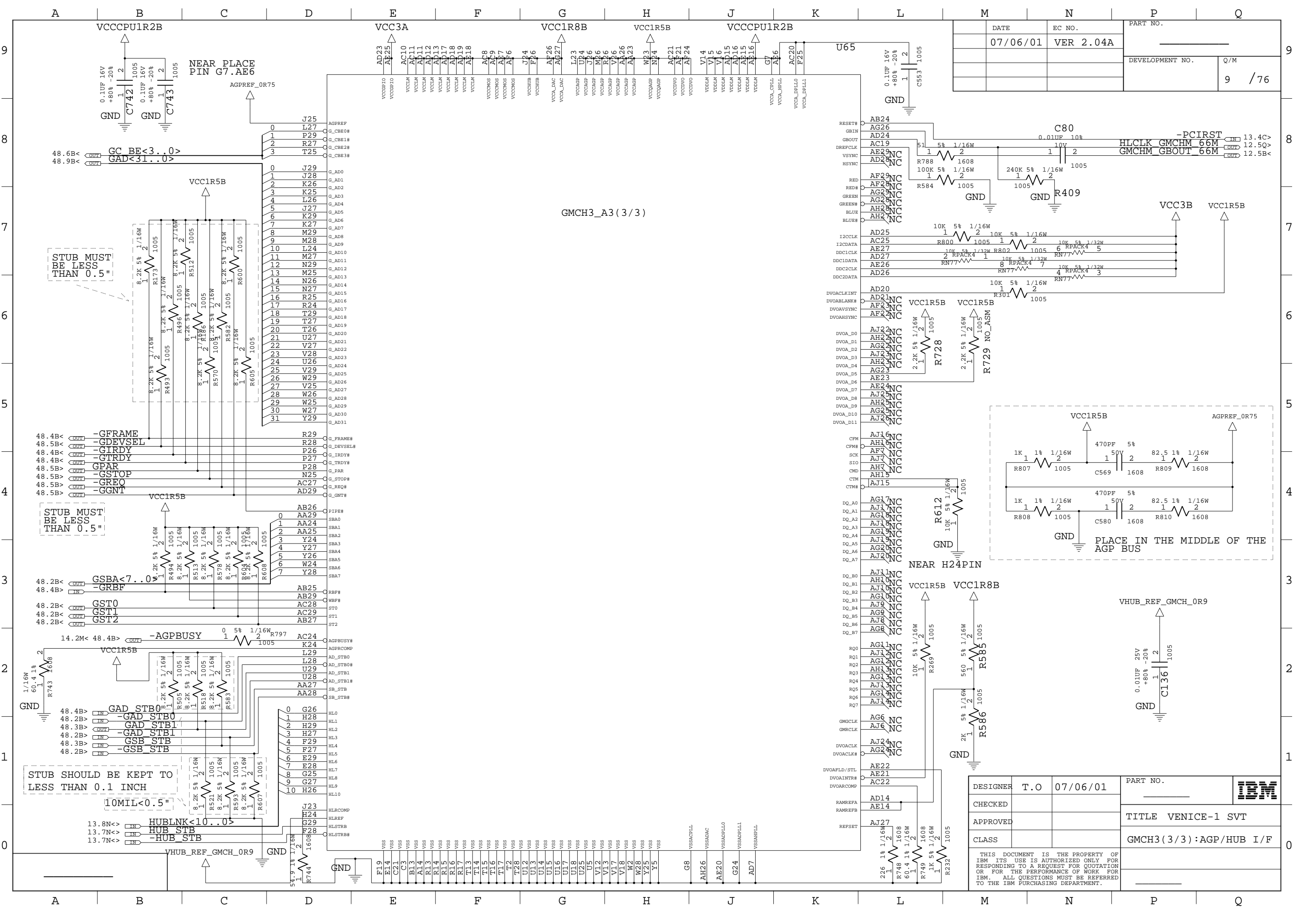




DATE	07/06/01	EC NO.	VER 2.04A	PART NO.	
DEVELOPMENT NO.		Q/M	8 / 76		

DESIGNER	T.O	07/06/01	PART NO.	
CHECKED				
APPROVED			TITLE	VENICE-1 SVT
CLASS				
THIS DOCUMENT IS THE PROPERTY OF IBM. ITS USE IS AUTHORIZED ONLY FOR RESPONDING TO A REQUEST FOR QUOTATION OR FOR THE PERFORMANCE OF WORK FOR IBM. ALL QUESTIONS MUST BE REFERRED TO THE IBM PURCHASING DEPARTMENT.				GMCH3-M(2/3):MEMORY I/F

PLACE NEAR ALMADOR



DATE	EC NO.	PART NO.
07/06/01	VER 2.04A	
DEVELOPMENT NO.		Q/M
		9 / 76

DESIGNER	T.O	07/06/01	PART NO.	IBM
CHECKED				
APPROVED			TITLE VENICE-1 SVT	
CLASS			GMCH3(3/3):AGP/HUB I/F	

THIS DOCUMENT IS THE PROPERTY OF IBM. ITS USE IS AUTHORIZED ONLY FOR RESPONDING TO A REQUEST FOR QUOTATION OR FOR THE PERFORMANCE OF WORK FOR IBM. ALL QUESTIONS MUST BE REFERRED TO THE IBM PURCHASING DEPARTMENT.

GMCH3_A3(3/3)

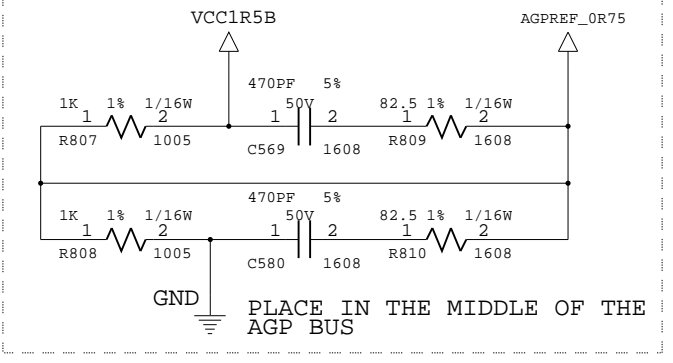
NEAR H24PIN

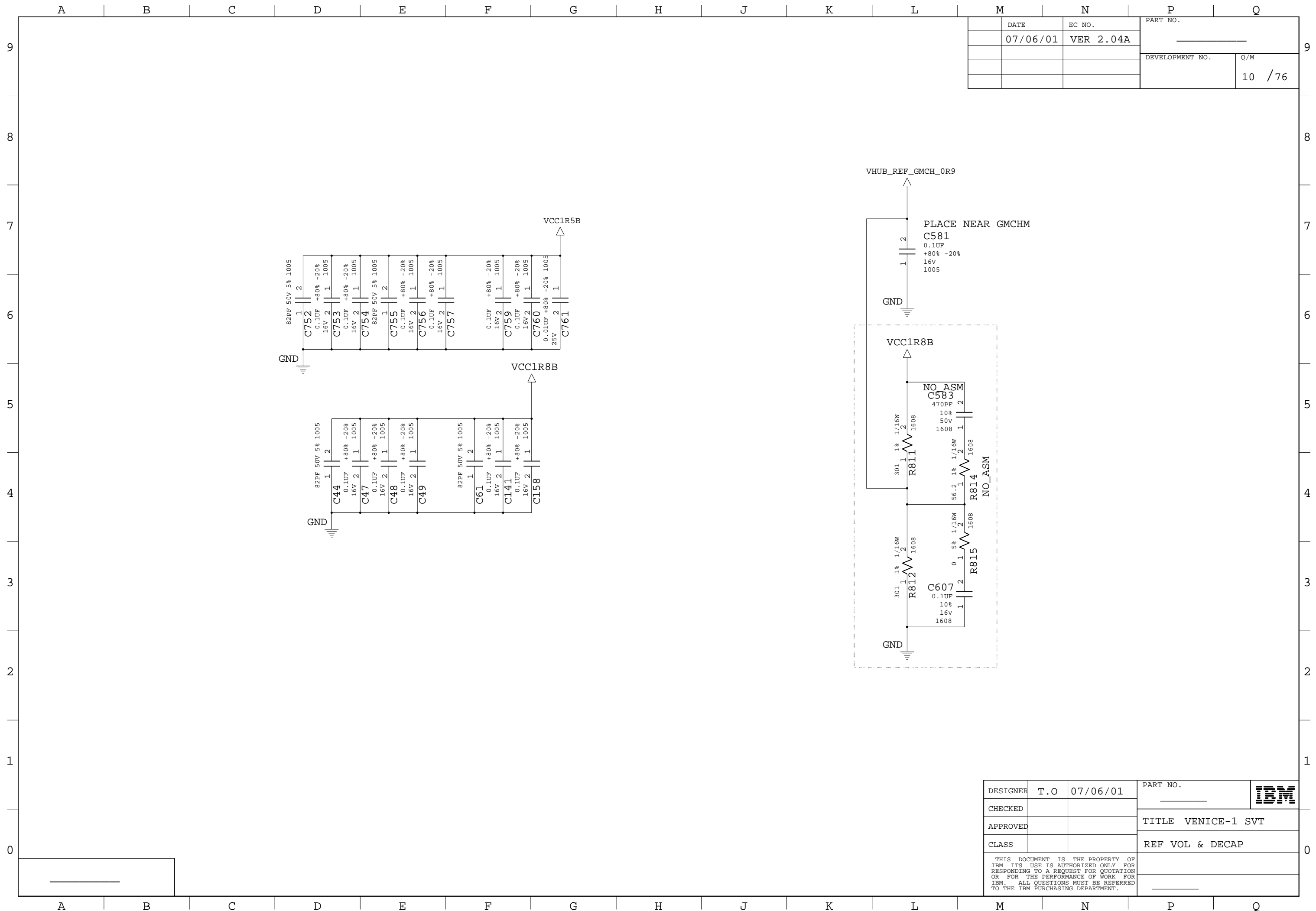
VHUB_REF_GMCH_OR9

STUB MUST BE LESS THAN 0.5"

STUB MUST BE LESS THAN 0.5"

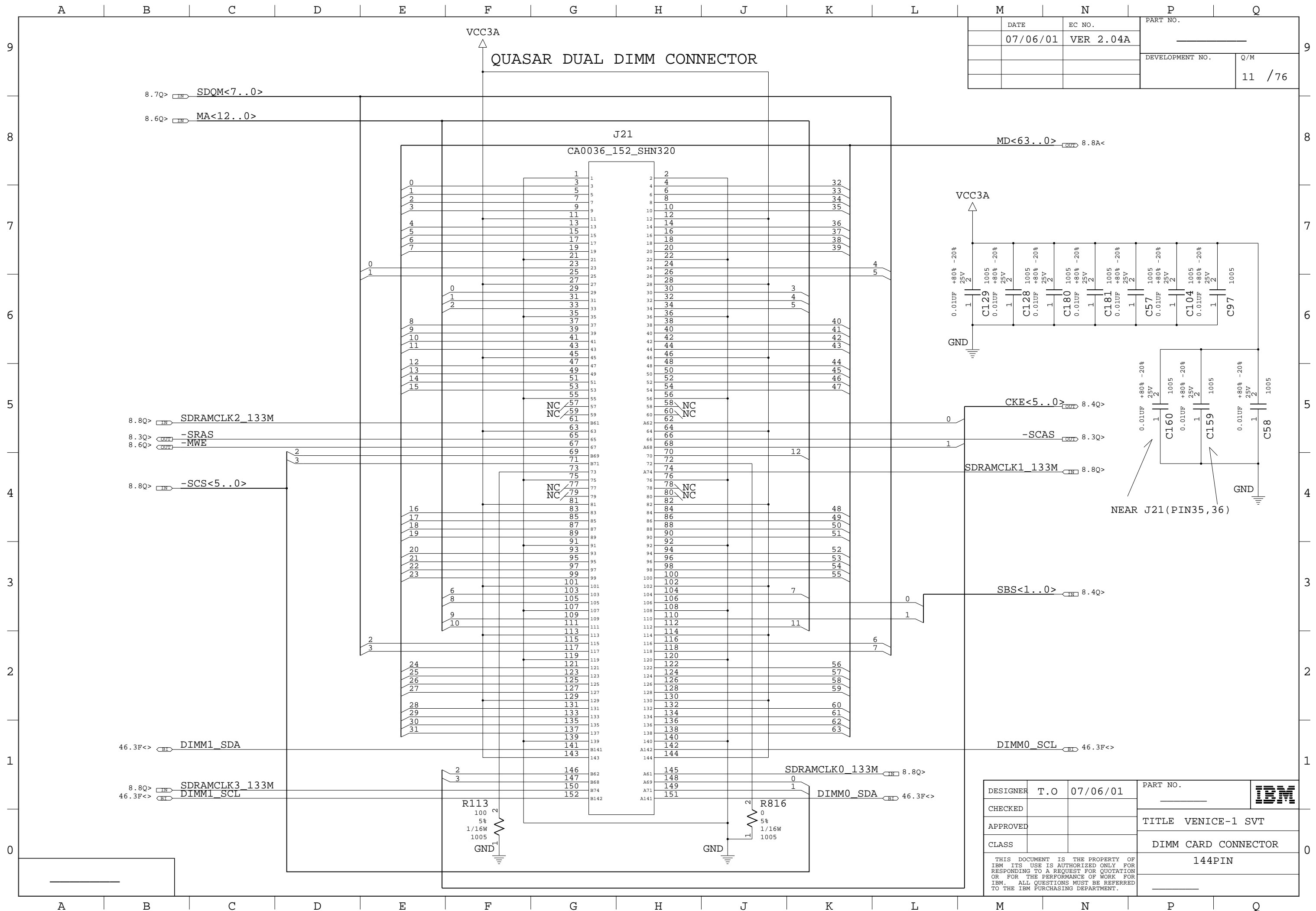
STUB SHOULD BE KEPT TO LESS THAN 0.1 INCH
10MIL<0.5"





DATE	EC NO.	PART NO.	
07/06/01	VER 2.04A	_____	
		DEVELOPMENT NO.	Q/M
			10 / 76

DESIGNER	T.O	07/06/01	PART NO.	IBM
CHECKED			_____	
APPROVED			TITLE VENICE-1 SVT	
CLASS			REF VOL & DECAP	
THIS DOCUMENT IS THE PROPERTY OF IBM. ITS USE IS AUTHORIZED ONLY FOR RESPONDING TO A REQUEST FOR QUOTATION OR FOR THE PERFORMANCE OF WORK FOR IBM. ALL QUESTIONS MUST BE REFERRED TO THE IBM PURCHASING DEPARTMENT.				



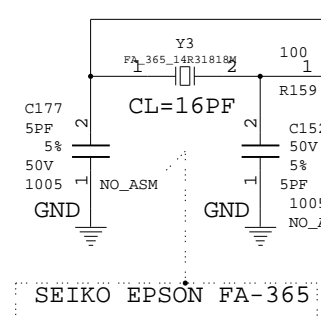
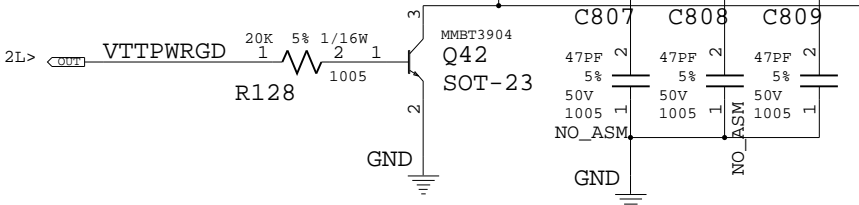
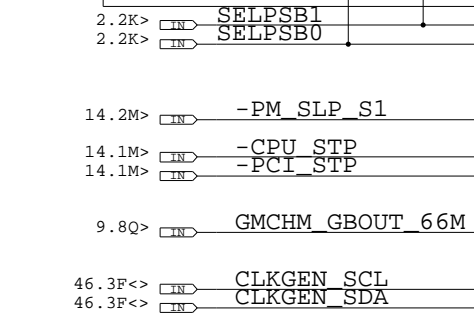
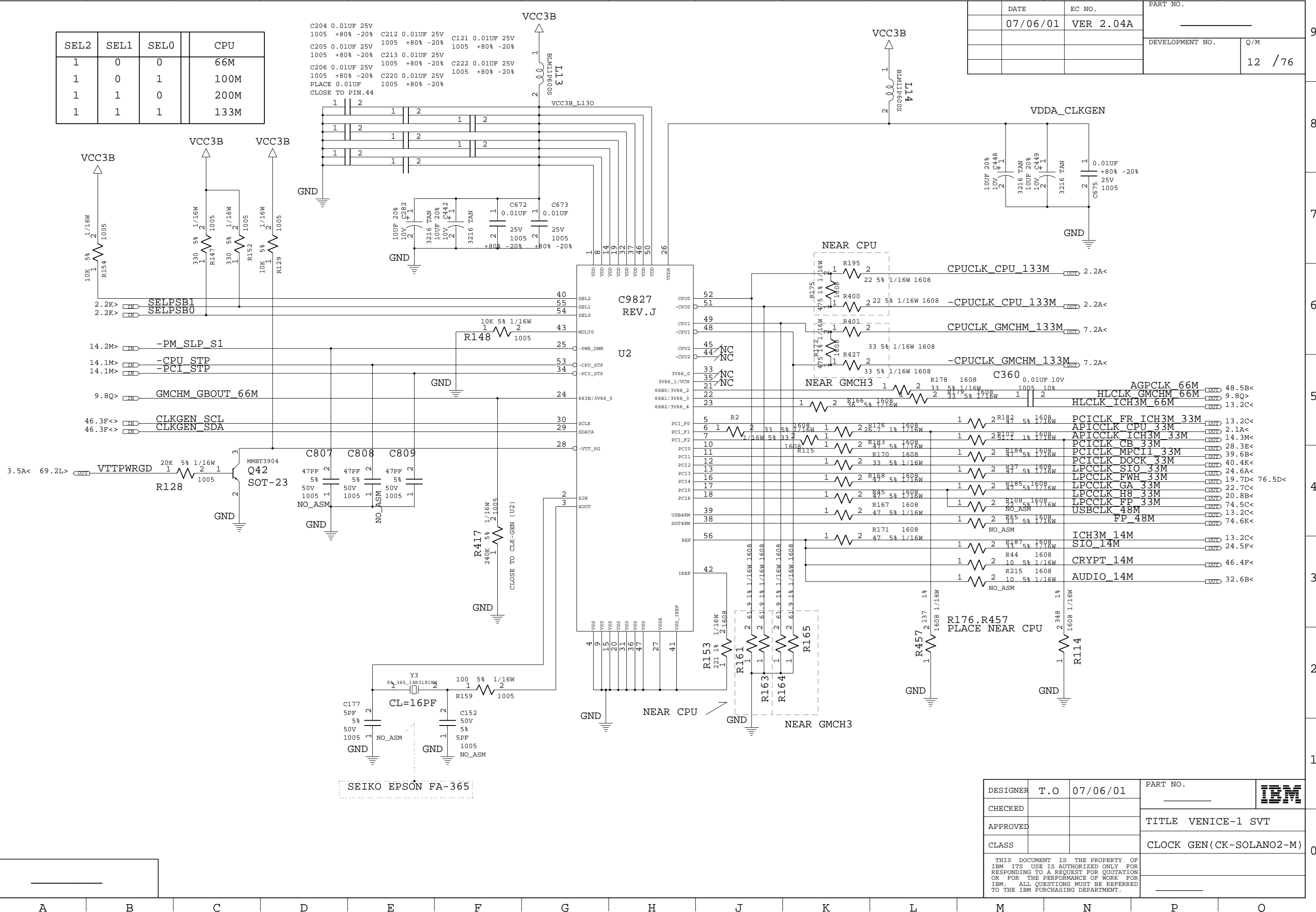
DATE	EC NO.	PART NO.
07/06/01	VER 2.04A	
DEVELOPMENT NO.		Q/M
		11 / 76

DESIGNER	T.O	07/06/01	PART NO.	IBM
CHECKED				
APPROVED			TITLE VENICE-1 SVT	
CLASS			DIMM CARD CONNECTOR	
THIS DOCUMENT IS THE PROPERTY OF IBM ITS USE IS AUTHORIZED ONLY FOR RESPONDING TO A REQUEST FOR QUOTATION OR FOR THE PERFORMANCE OF WORK FOR IBM. ALL QUESTIONS MUST BE REFERRED TO THE IBM PURCHASING DEPARTMENT.				144PIN

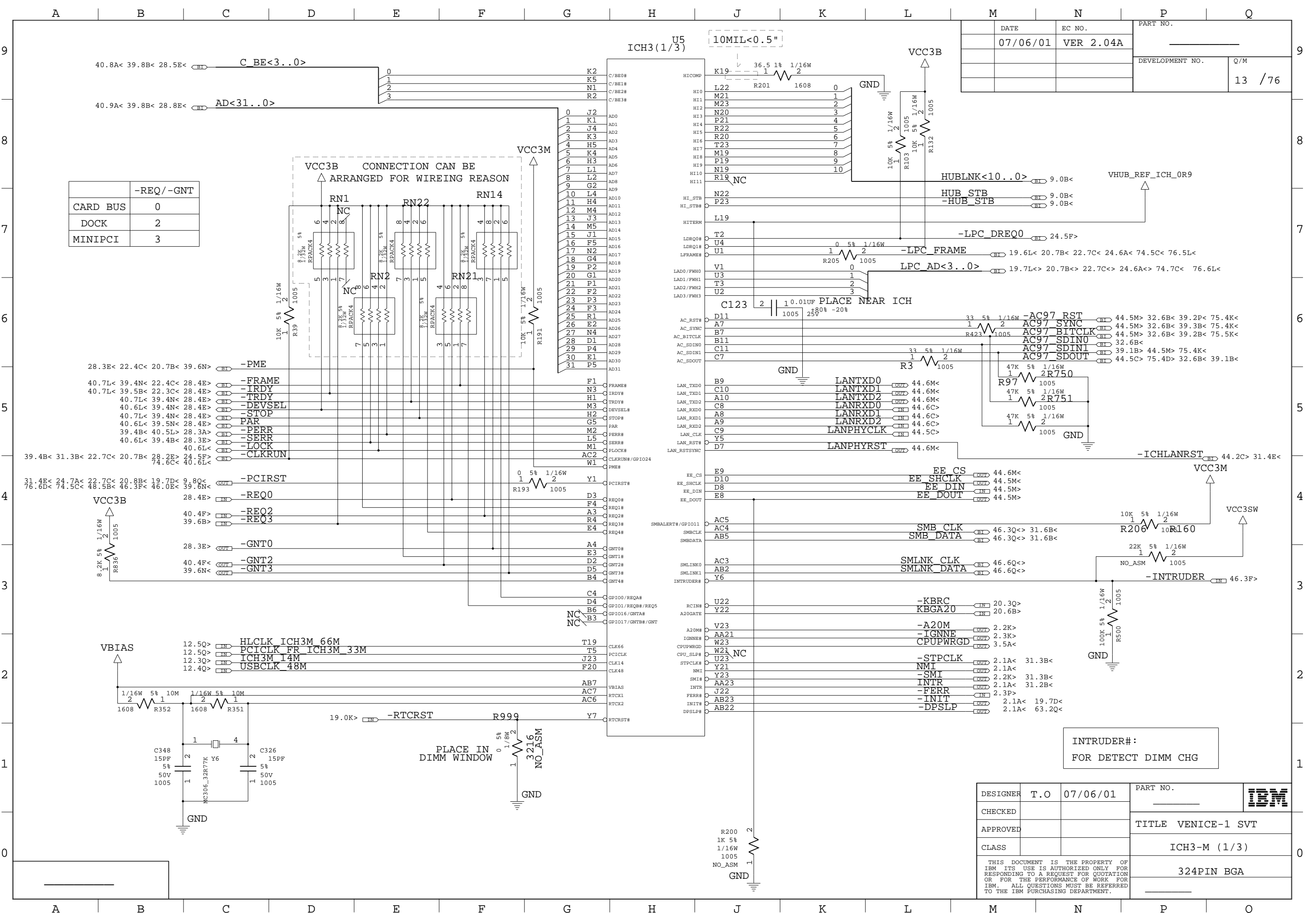
DATE	EC NO.	PART NO.	
07/06/01	VER 2.04A		
		DEVELOPMENT NO.	Q/M
			12 /76

SEL2	SEL1	SELO	CPU
1	0	0	66M
1	0	1	100M
1	1	0	200M
1	1	1	133M

- C204 0.01UF 25V 1005 +80% -20%
- C212 0.01UF 25V 1005 +80% -20%
- C213 0.01UF 25V 1005 +80% -20%
- C220 0.01UF 25V 1005 +80% -20%
- C222 0.01UF 25V 1005 +80% -20%
- C206 0.01UF 25V 1005 +80% -20%
- C220 0.01UF 25V 1005 +80% -20%
- PLACE 0.01UF 1005 +80% -20%
- CLOSE TO PIN.44



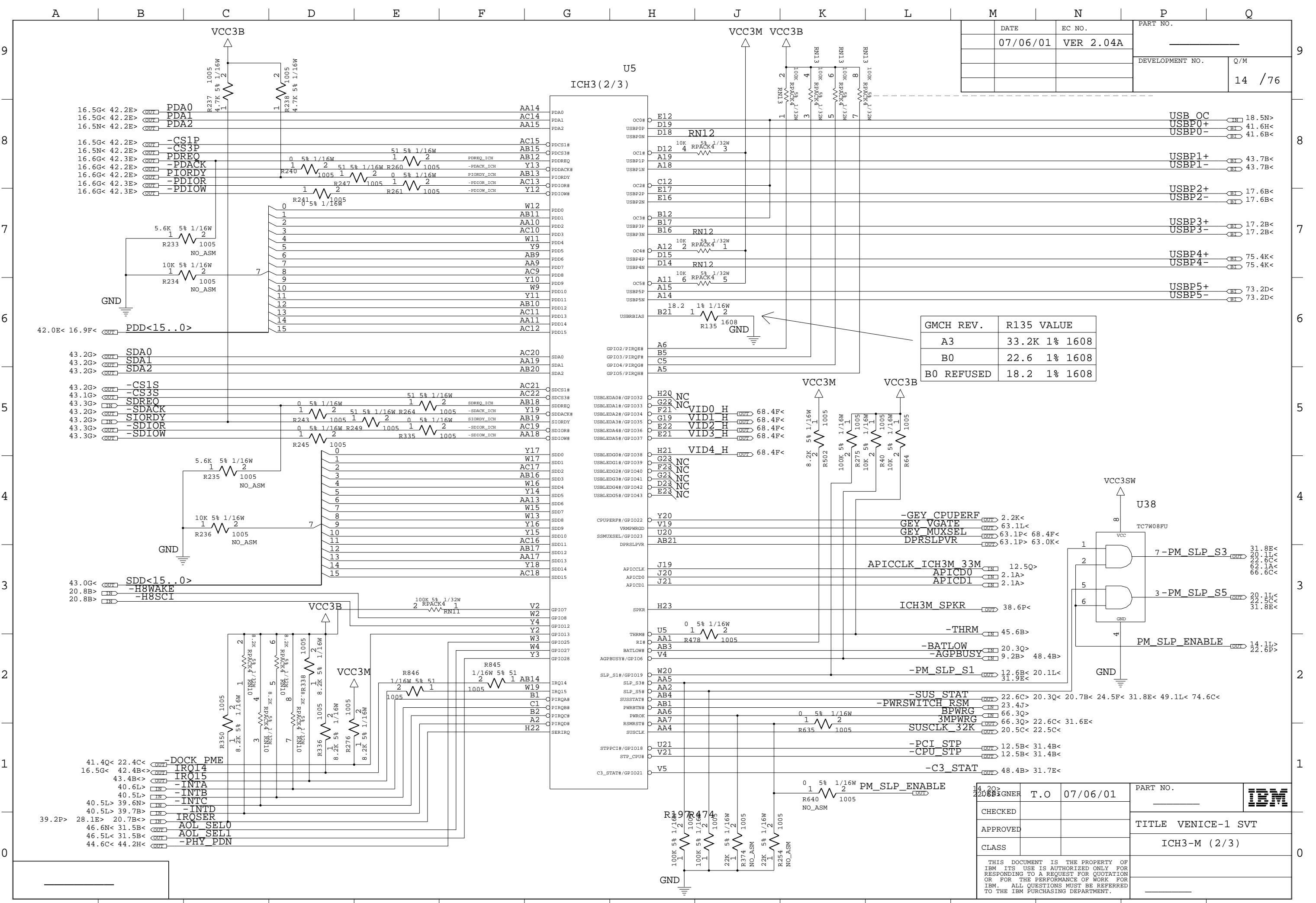
DESIGNER	T.O	07/06/01	PART NO.	IBM
CHECKED				
APPROVED			TITLE VENICE-1 SVT	
CLASS			CLOCK GEN(CK-SOLANO2-M)	
THIS DOCUMENT IS THE PROPERTY OF IBM ITS USE IS AUTHORIZED ONLY FOR RESPONDING TO A REQUEST FOR QUOTATION OR FOR THE PERFORMANCE OF WORK FOR IBM. ALL QUESTIONS MUST BE REFERRED TO THE IBM PURCHASING DEPARTMENT.				



	-REQ/-GNT
CARD BUS	0
DOCK	2
MINIPCI	3

DATE	07/06/01	EC NO.	VER 2.04A	PART NO.	
				DEVELOPMENT NO.	13 /76
				Q/M	

DESIGNER	T.O	07/06/01	PART NO.	
CHECKED			TITLE VENICE-1 SVT	
APPROVED			ICH3-M (1/3)	
CLASS			324PIN BGA	

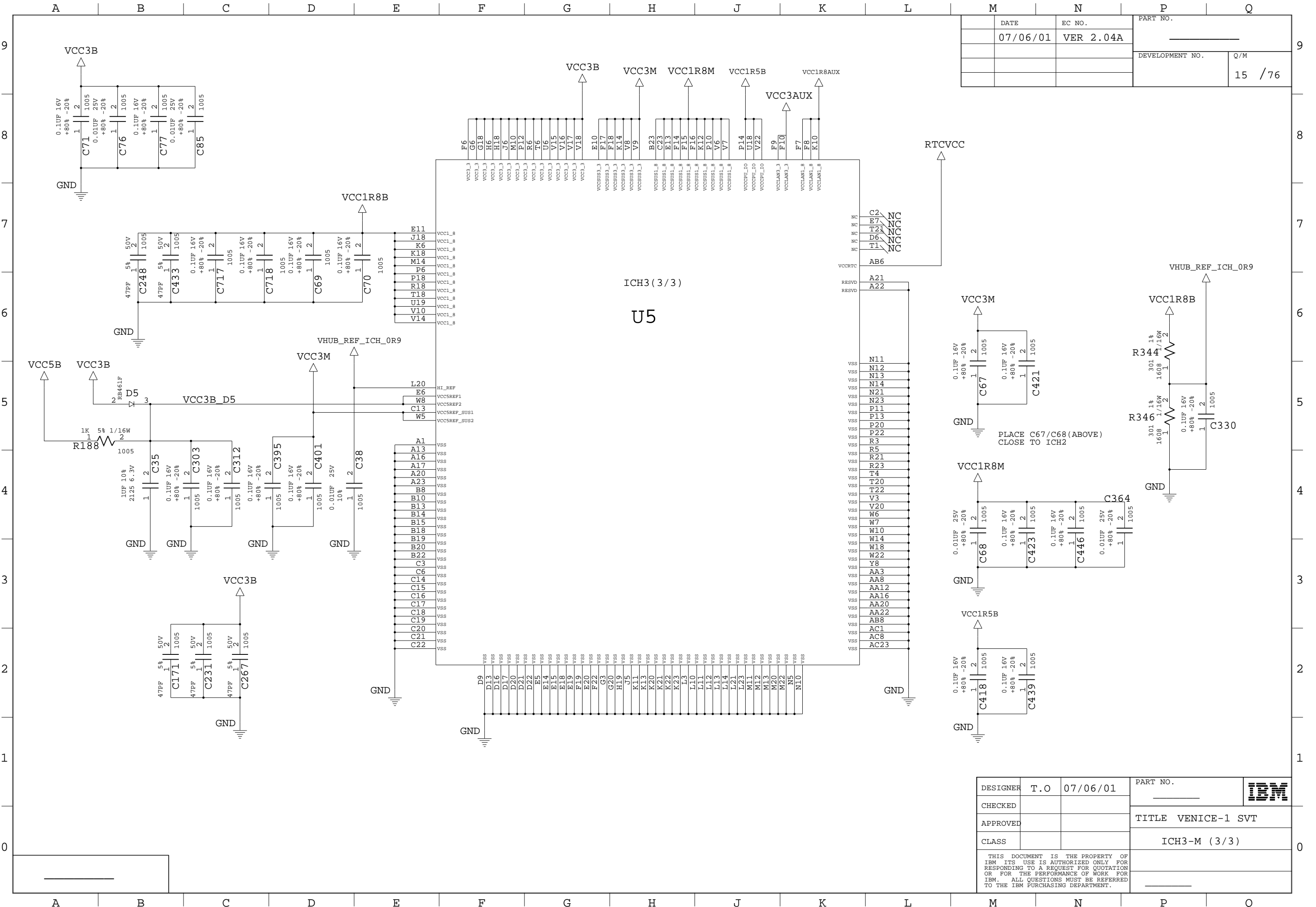


DATE	EC NO.	PART NO.
07/06/01	VER 2.04A	
DEVELOPMENT NO.		Q/M
		14 / 76

GMCH REV.	R135 VALUE
A3	33.2K 1% 1608
B0	22.6 1% 1608
B0 REFUSED	18.2 1% 1608

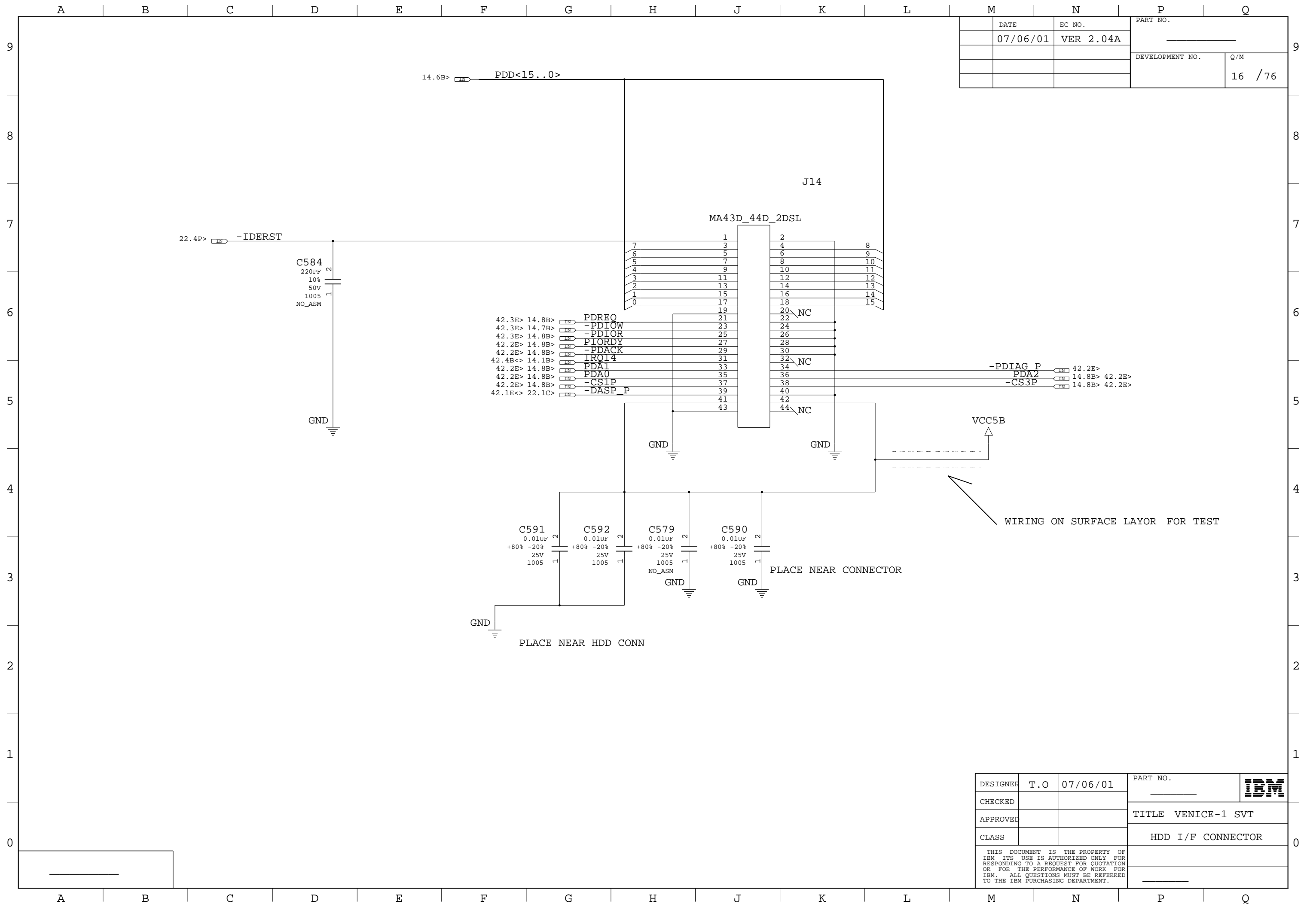
DESIGNER	T.O	07/06/01	PART NO.	IBM
CHECKED			TITLE	VENICE-1 SVT
APPROVED				ICH3-M (2/3)
CLASS				

THIS DOCUMENT IS THE PROPERTY OF IBM ITS USE IS AUTHORIZED ONLY FOR RESPONDING TO A REQUEST FOR QUOTATION OR FOR THE PERFORMANCE OF WORK FOR IBM. ALL QUESTIONS MUST BE REFERRED TO THE IBM PURCHASING DEPARTMENT.



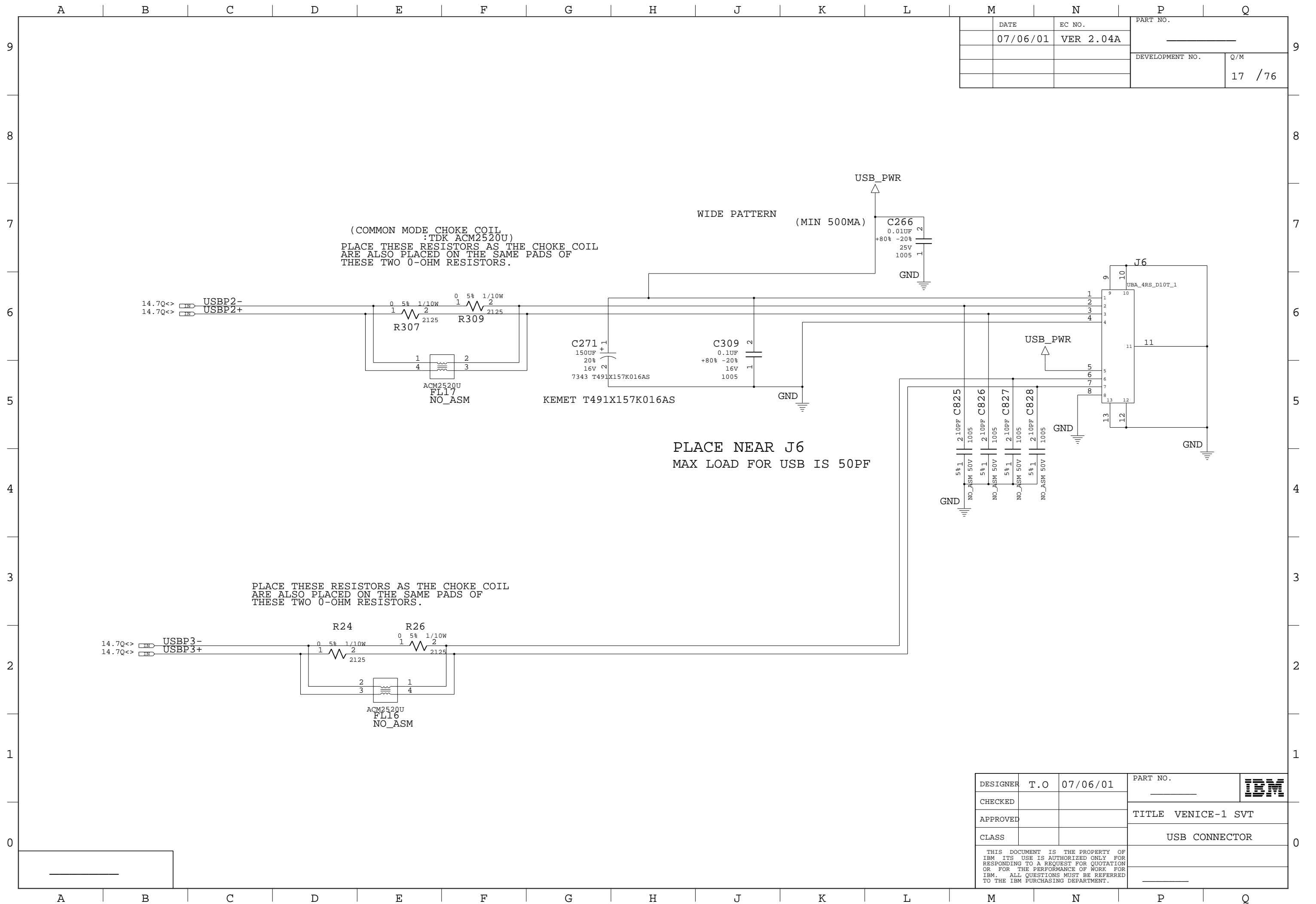
DATE	EC NO.	PART NO.	
07/06/01	VER 2.04A		
		DEVELOPMENT NO.	Q/M
			15 / 76

DESIGNER	T.O	07/06/01	PART NO.	IBM
CHECKED				
APPROVED			TITLE VENICE-1 SVT	
CLASS			ICH3-M (3/3)	
THIS DOCUMENT IS THE PROPERTY OF IBM. ITS USE IS AUTHORIZED ONLY FOR RESPONDING TO A REQUEST FOR QUOTATION OR FOR THE PERFORMANCE OF WORK FOR IBM. ALL QUESTIONS MUST BE REFERRED TO THE IBM PURCHASING DEPARTMENT.				



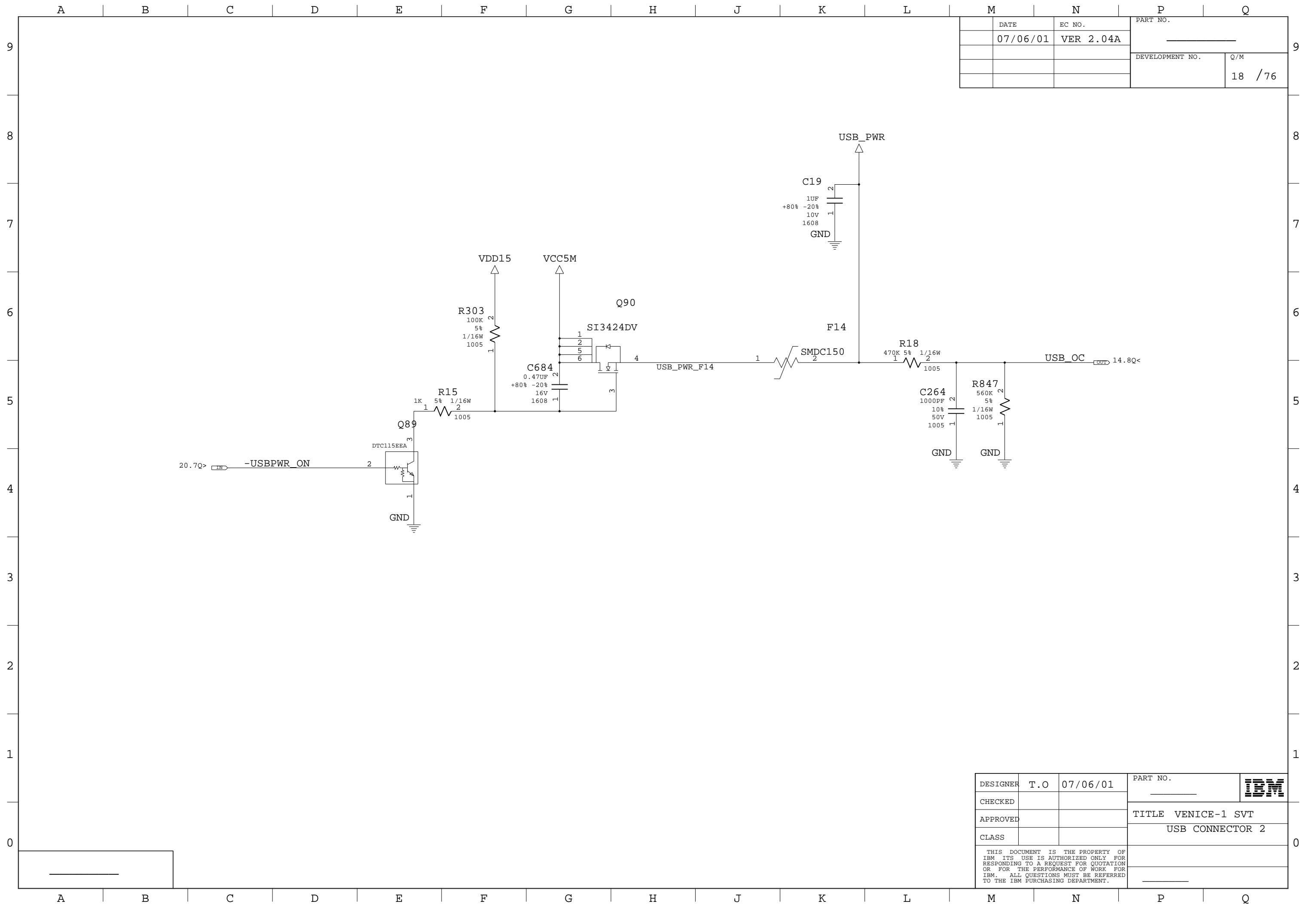
DATE	EC NO.	PART NO.	
07/06/01	VER 2.04A		
		DEVELOPMENT NO.	Q/M
			16 /76

DESIGNER	T.O	07/06/01	PART NO.	IBM
CHECKED				
APPROVED			TITLE VENICE-1 SVT	
CLASS			HDD I/F CONNECTOR	
THIS DOCUMENT IS THE PROPERTY OF IBM ITS USE IS AUTHORIZED ONLY FOR RESPONDING TO A REQUEST FOR QUOTATION OR FOR THE PERFORMANCE OF WORK FOR IBM. ALL QUESTIONS MUST BE REFERRED TO THE IBM PURCHASING DEPARTMENT.				



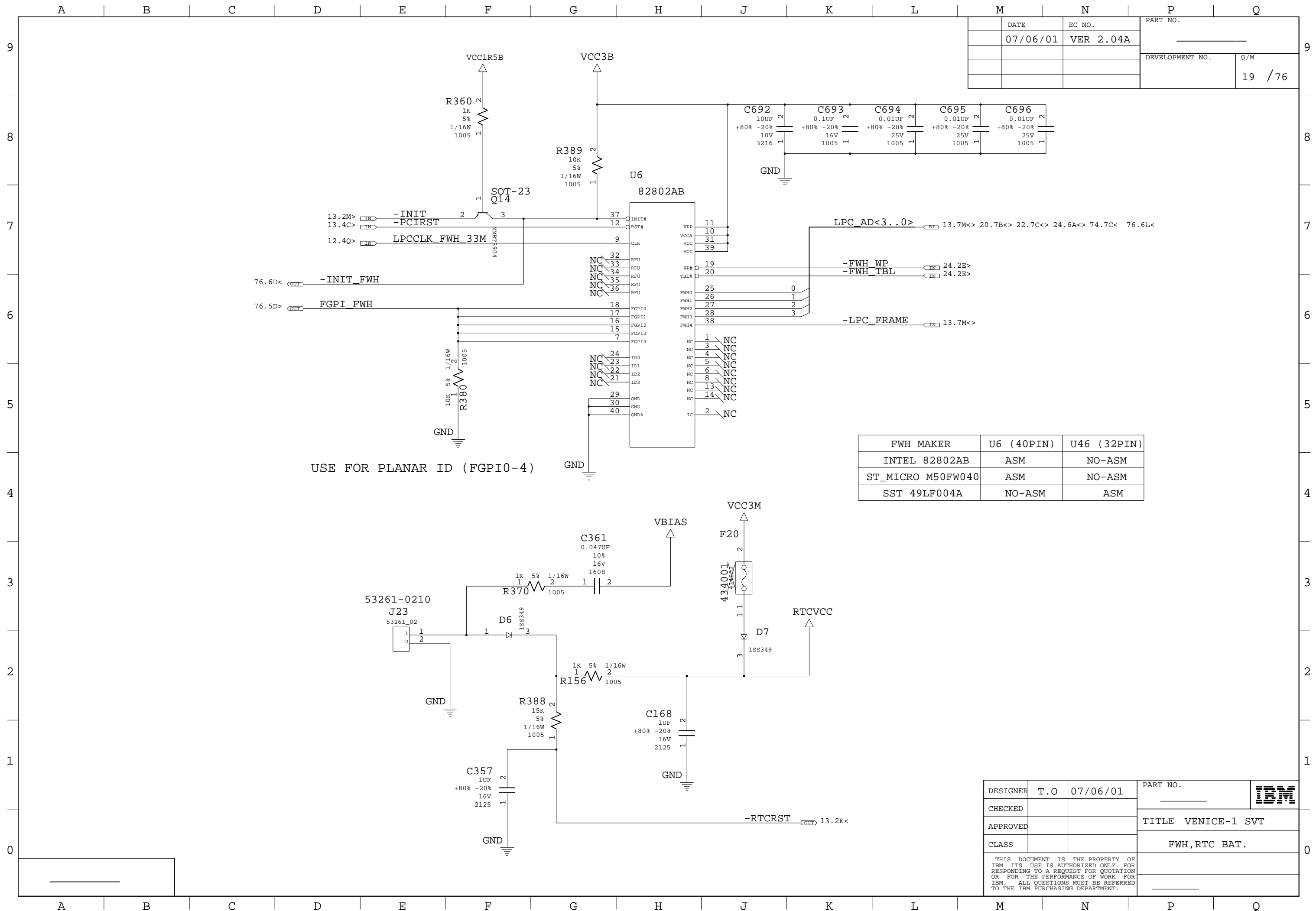
DATE	EC NO.	PART NO.	
07/06/01	VER 2.04A		
		DEVELOPMENT NO.	Q/M
			17 /76

DESIGNER	T.O	07/06/01	PART NO.	IBM
CHECKED				
APPROVED			TITLE VENICE-1 SVT	
CLASS			USB CONNECTOR	
THIS DOCUMENT IS THE PROPERTY OF IBM ITS USE IS AUTHORIZED ONLY FOR RESPONDING TO A REQUEST FOR QUOTATION OR FOR THE PERFORMANCE OF WORK FOR IBM. ALL QUESTIONS MUST BE REFERRED TO THE IBM PURCHASING DEPARTMENT.				



DATE	EC NO.	PART NO.	
07/06/01	VER 2.04A		
		DEVELOPMENT NO.	Q/M
			18 /76

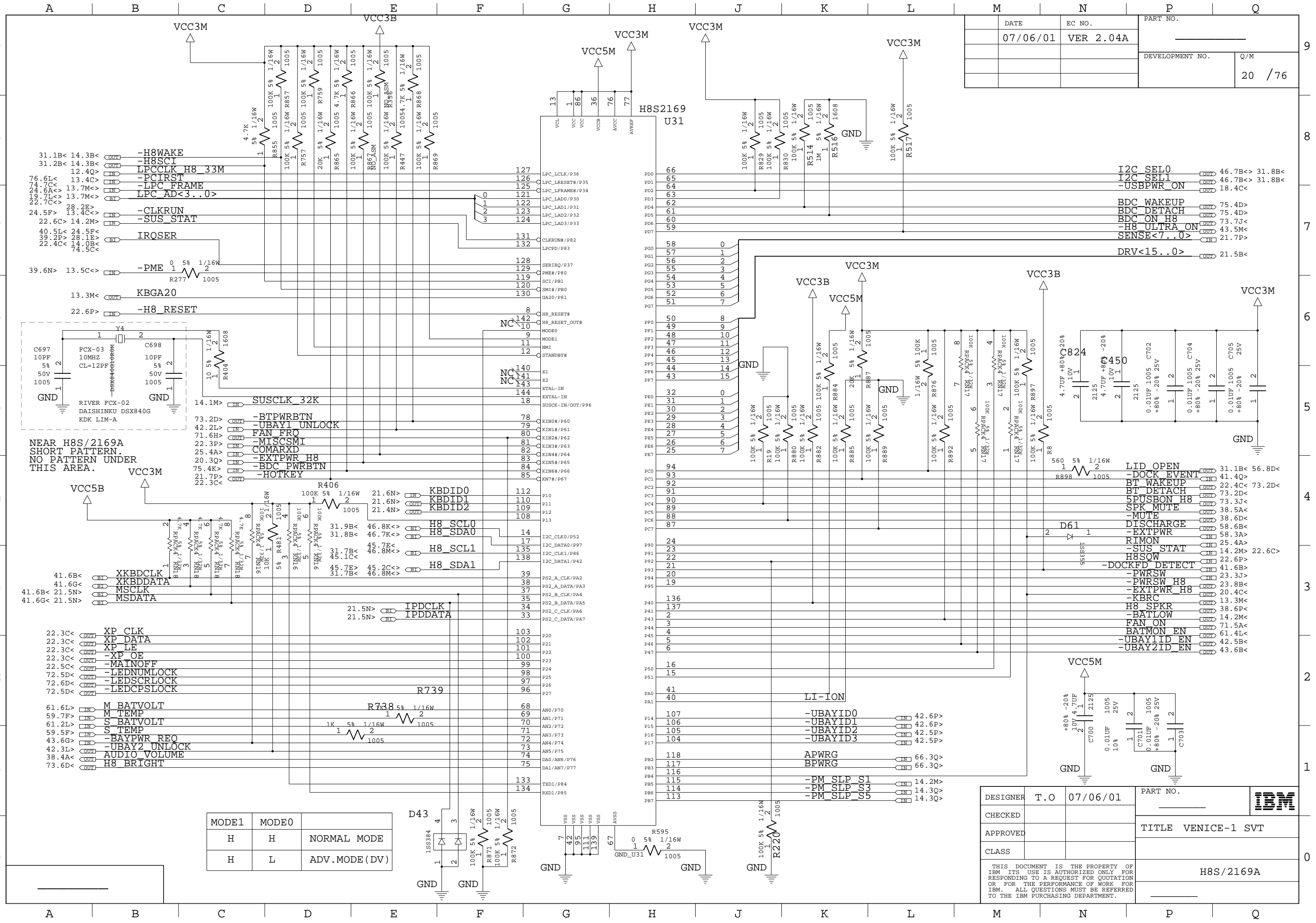
DESIGNER	T.O	07/06/01	PART NO.	IBM
CHECKED				
APPROVED			TITLE VENICE-1 SVT	
CLASS			USB CONNECTOR 2	
THIS DOCUMENT IS THE PROPERTY OF IBM ITS USE IS AUTHORIZED ONLY FOR RESPONDING TO A REQUEST FOR QUOTATION OR FOR THE PERFORMANCE OF WORK FOR IBM. ALL QUESTIONS MUST BE REFERRED TO THE IBM PURCHASING DEPARTMENT.				



DATE	EC NO.	PART NO.	
07/06/01	VER 2.04A		
		DEVELOPMENT NO.	Q/M
			19 /76

DESIGNER	T.O	07/06/01	PART NO.	IBM
CHECKED				
APPROVED			TITLE VENICE-1 SVT	
CLASS			FWH, RTC BAT.	
THIS DOCUMENT IS THE PROPERTY OF IBM. ITS USE IS AUTHORIZED ONLY FOR RESPONDING TO A REQUEST FOR QUOTATION OR FOR THE PERFORMANCE OF WORK FOR IBM. ALL QUESTIONS MUST BE REFERRED TO THE IBM PURCHASING DEPARTMENT.				

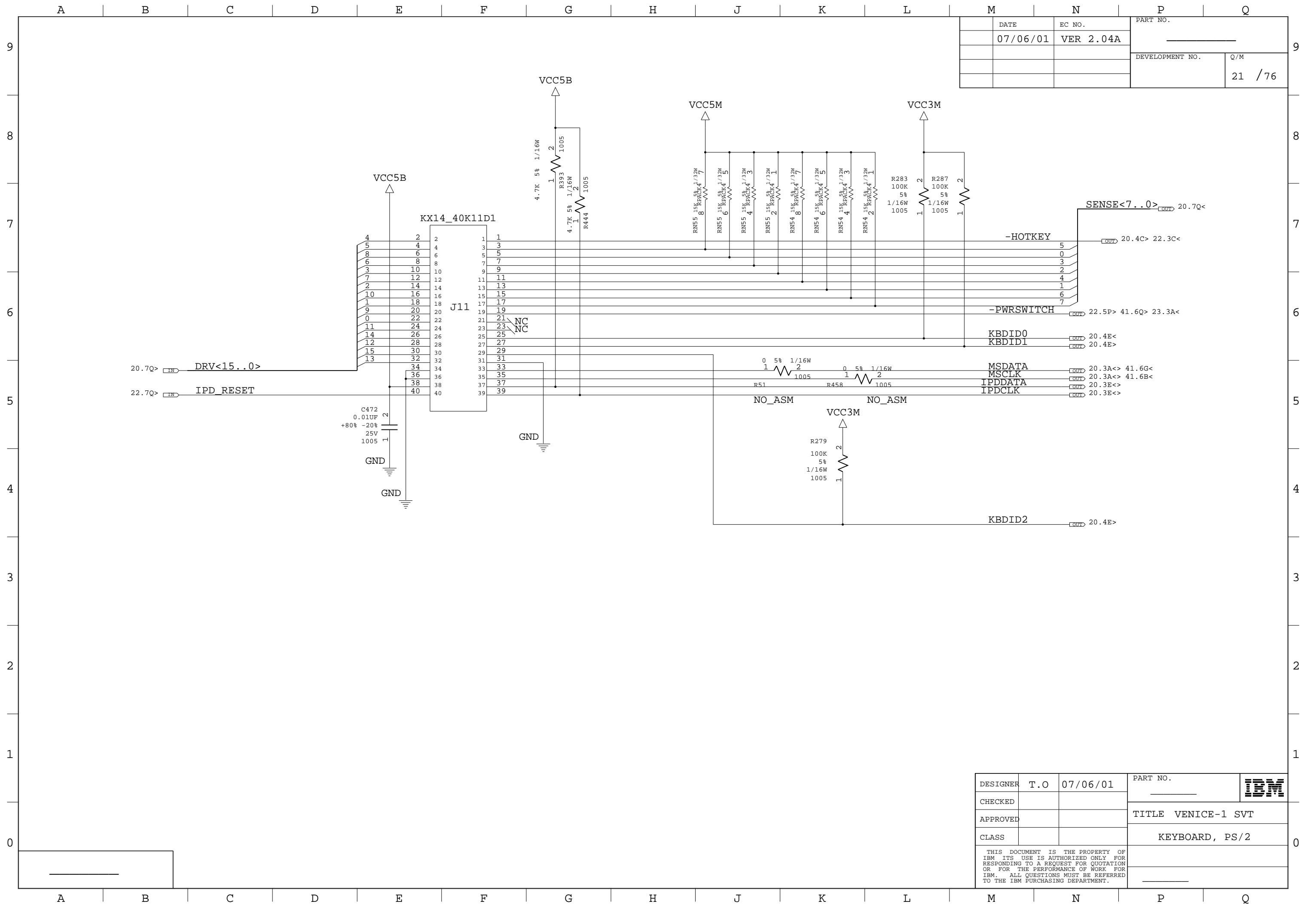
DATE	EC NO.	PART NO.
07/06/01	VER 2.04A	
DEVELOPMENT NO.		Q/M
		20 / 76



NEAR H8S/2169A
SHORT PATTERN.
NO PATTERN UNDER
THIS AREA.

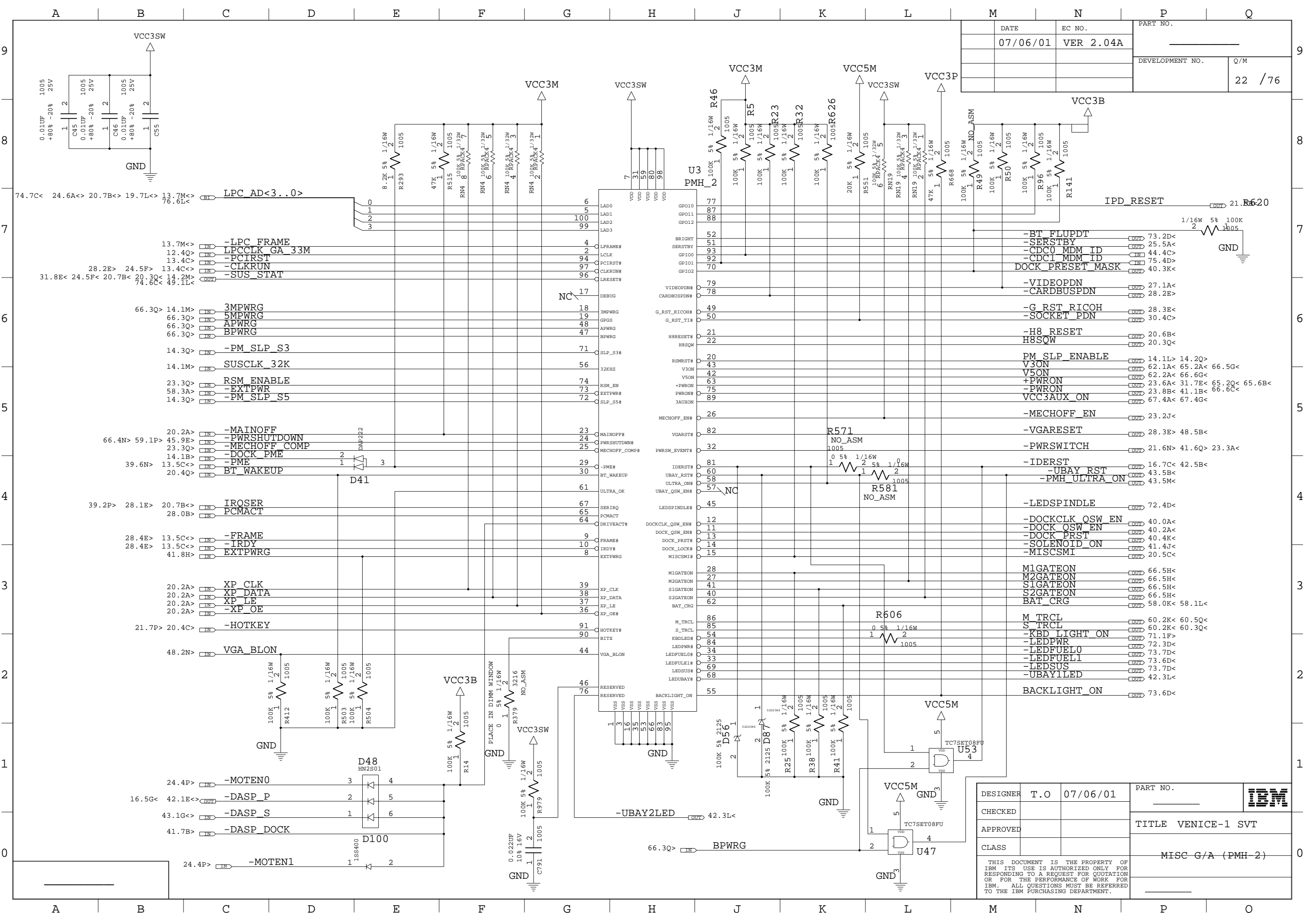
MODE1	MODE0	
H	H	NORMAL MODE
H	L	ADV. MODE (DV)

DESIGNER	T.O	07/06/01	PART NO.	IBM
CHECKED				
APPROVED			TITLE VENICE-1 SVT	
CLASS			H8S/2169A	
THIS DOCUMENT IS THE PROPERTY OF IBM. ITS USE IS AUTHORIZED ONLY FOR RESPONDING TO A REQUEST FOR QUOTATION OR FOR THE PERFORMANCE OF WORK FOR IBM. ALL QUESTIONS MUST BE REFERRED TO THE IBM PURCHASING DEPARTMENT.				



DATE	EC NO.	PART NO.	
07/06/01	VER 2.04A		
		DEVELOPMENT NO.	Q/M
			21 / 76

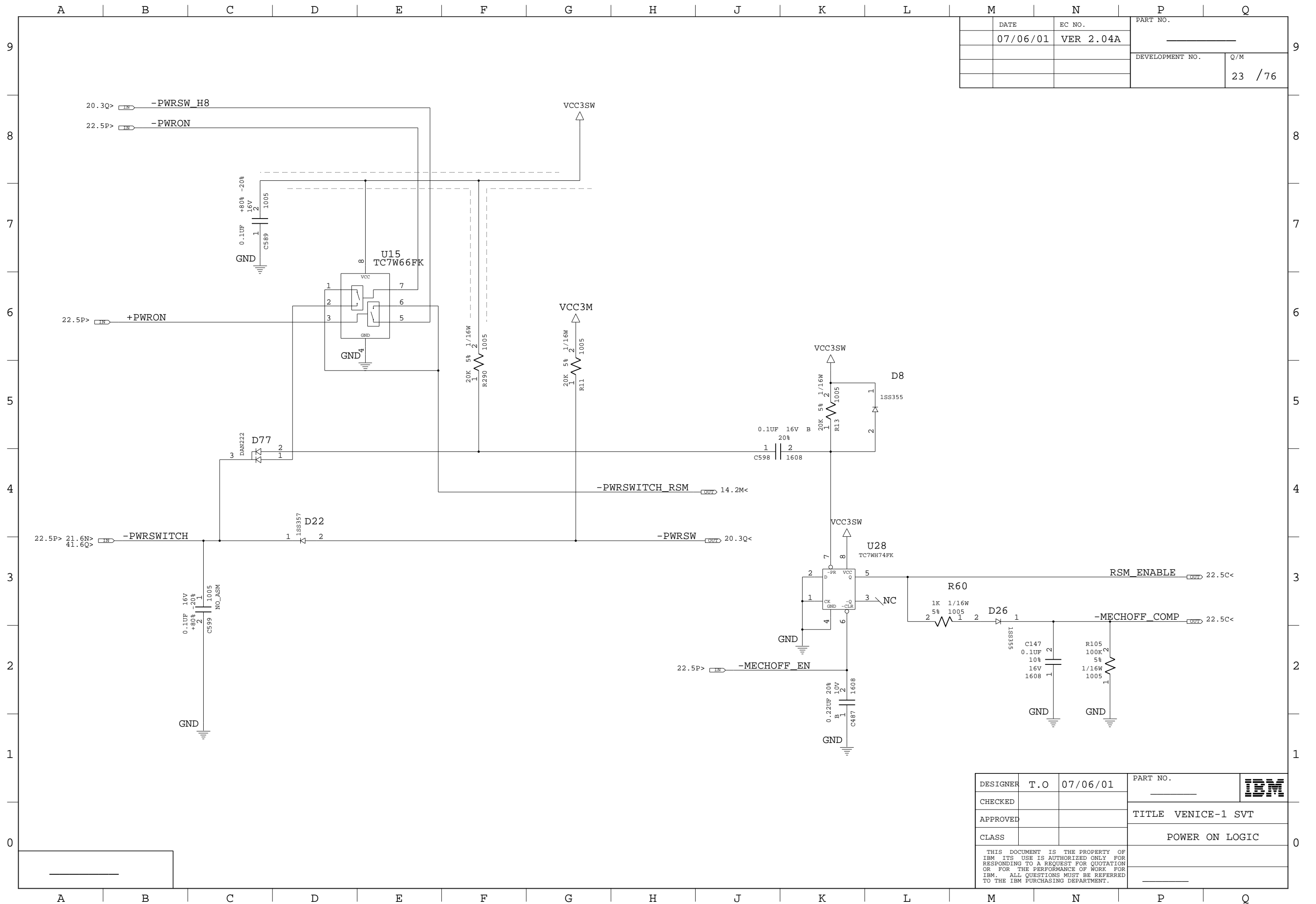
DESIGNER	T.O	07/06/01	PART NO.	IBM
CHECKED				
APPROVED			TITLE VENICE-1 SVT	
CLASS			KEYBOARD, PS/2	
THIS DOCUMENT IS THE PROPERTY OF IBM. ITS USE IS AUTHORIZED ONLY FOR RESPONDING TO A REQUEST FOR QUOTATION OR FOR THE PERFORMANCE OF WORK FOR IBM. ALL QUESTIONS MUST BE REFERRED TO THE IBM PURCHASING DEPARTMENT.				



DATE	EC NO.	PART NO.
07/06/01	VER 2.04A	
DEVELOPMENT NO.		Q/M
		22 / 76

DESIGNER	T.O	07/06/01	PART NO.	IBM
CHECKED				
APPROVED			TITLE VENICE-1 SVT	
CLASS			MISC G/A (PMH-2)	

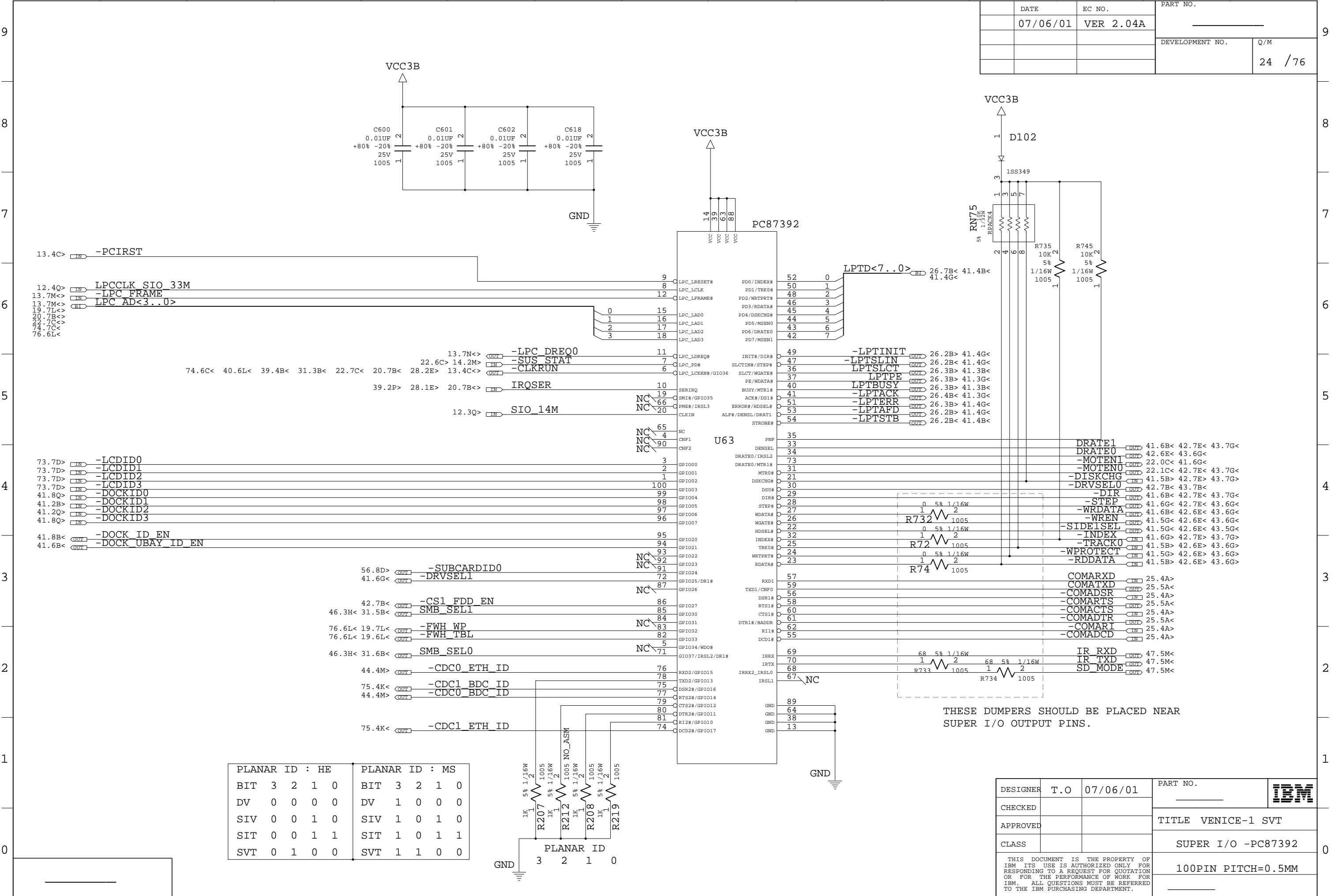
THIS DOCUMENT IS THE PROPERTY OF IBM ITS USE IS AUTHORIZED ONLY FOR RESPONDING TO A REQUEST FOR QUOTATION OR FOR THE PERFORMANCE OF WORK FOR IBM. ALL QUESTIONS MUST BE REFERRED TO THE IBM PURCHASING DEPARTMENT.



DATE	EC NO.	PART NO.	
07/06/01	VER 2.04A		
		DEVELOPMENT NO.	Q/M
			23 / 76

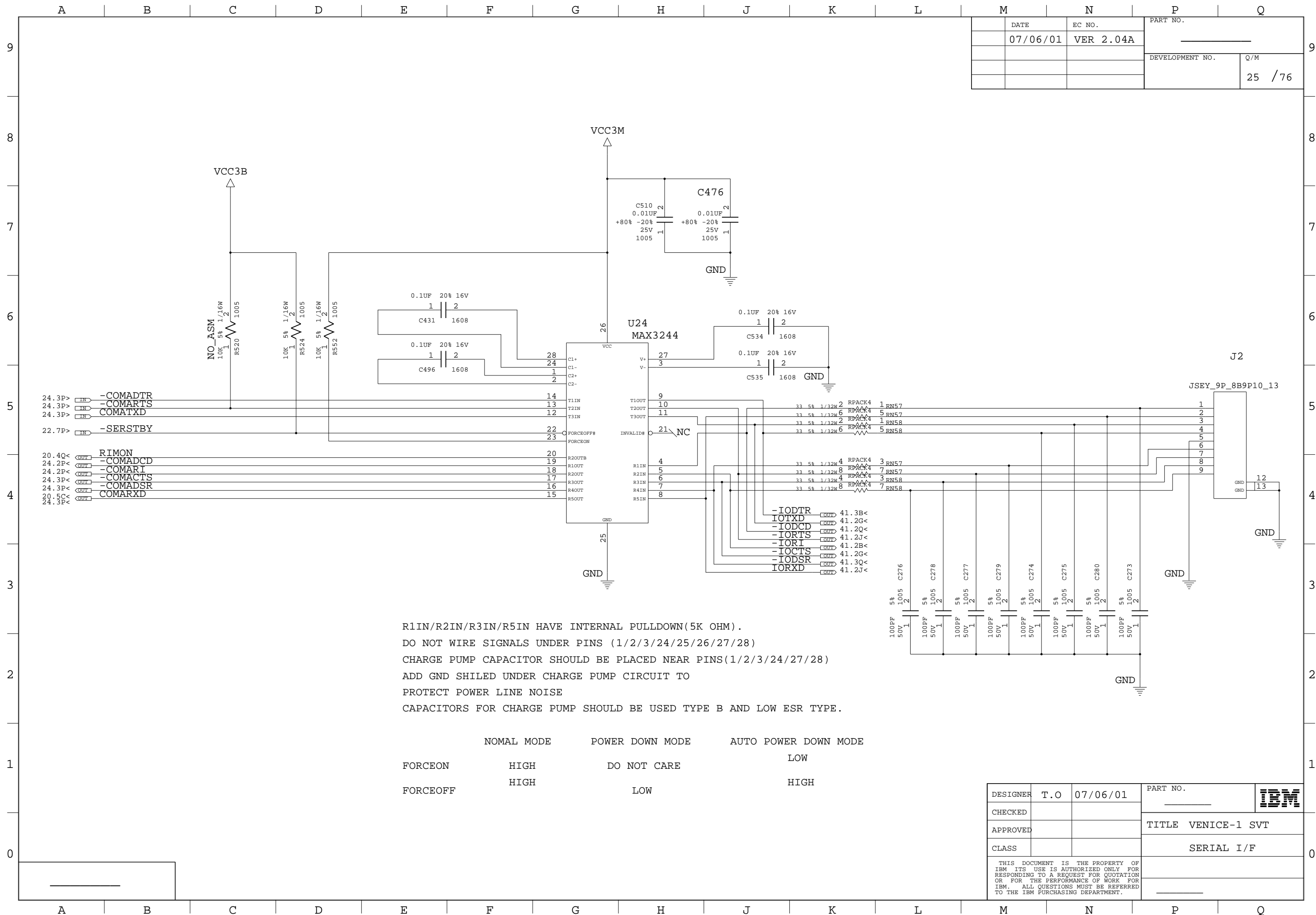
DESIGNER	T.O	07/06/01	PART NO.	IBM
CHECKED				
APPROVED			TITLE VENICE-1 SVT	
CLASS			POWER ON LOGIC	
<small>THIS DOCUMENT IS THE PROPERTY OF IBM ITS USE IS AUTHORIZED ONLY FOR RESPONDING TO A REQUEST FOR QUOTATION OR FOR THE PERFORMANCE OF WORK FOR IBM. ALL QUESTIONS MUST BE REFERRED TO THE IBM PURCHASING DEPARTMENT.</small>				

DATE	EC NO.	PART NO.	
07/06/01	VER 2.04A		
DEVELOPMENT NO.		Q/M	
		24 / 76	



PLANAR ID : HE				PLANAR ID : MS					
BIT	3	2	1	0	BIT	3	2	1	0
DV	0	0	0	0	DV	1	0	0	0
SIV	0	0	1	0	SIV	1	0	1	0
SIT	0	0	1	1	SIT	1	0	1	1
SVT	0	1	0	0	SVT	1	1	0	0

DESIGNER	T.O	07/06/01	PART NO.	IBM
CHECKED				
APPROVED			TITLE	VENICE-1 SVT
CLASS				SUPER I/O -PC87392
THIS DOCUMENT IS THE PROPERTY OF IBM ITS USE IS AUTHORIZED ONLY FOR RESPONDING TO A REQUEST FOR QUOTATION OR FOR THE PERFORMANCE OF WORK FOR IBM. ALL QUESTIONS MUST BE REFERRED TO THE IBM PURCHASING DEPARTMENT.				100PIN PITCH=0.5MM

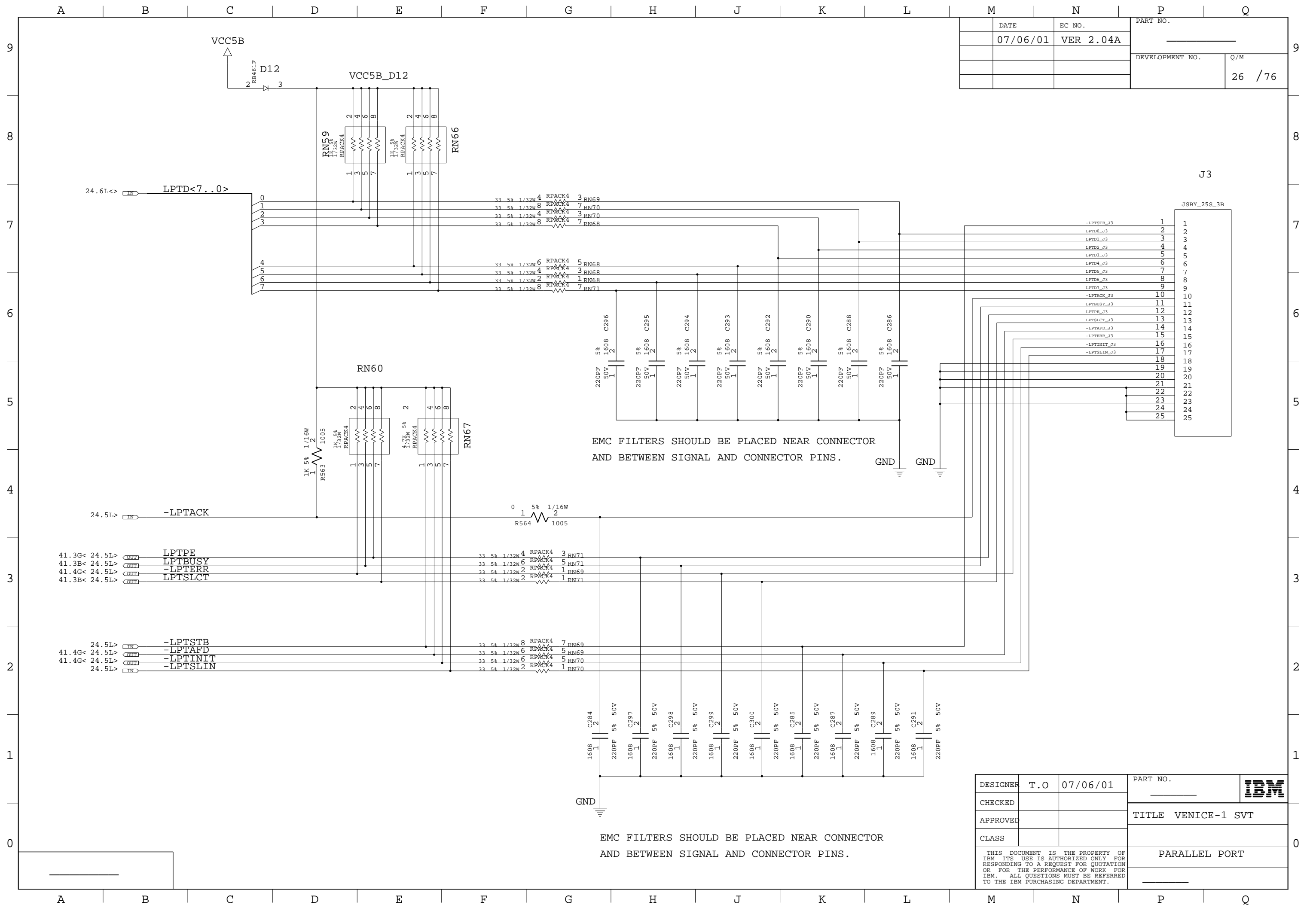


DATE	EC NO.	PART NO.	
07/06/01	VER 2.04A		
		DEVELOPMENT NO.	Q/M
		25 / 76	

R1IN/R2IN/R3IN/R5IN HAVE INTERNAL PULLDOWN(5K OHM).
 DO NOT WIRE SIGNALS UNDER PINS (1/2/3/24/25/26/27/28)
 CHARGE PUMP CAPACITOR SHOULD BE PLACED NEAR PINS(1/2/3/24/27/28)
 ADD GND SHILED UNDER CHARGE PUMP CIRCUIT TO
 PROTECT POWER LINE NOISE
 CAPACITORS FOR CHARGE PUMP SHOULD BE USED TYPE B AND LOW ESR TYPE.

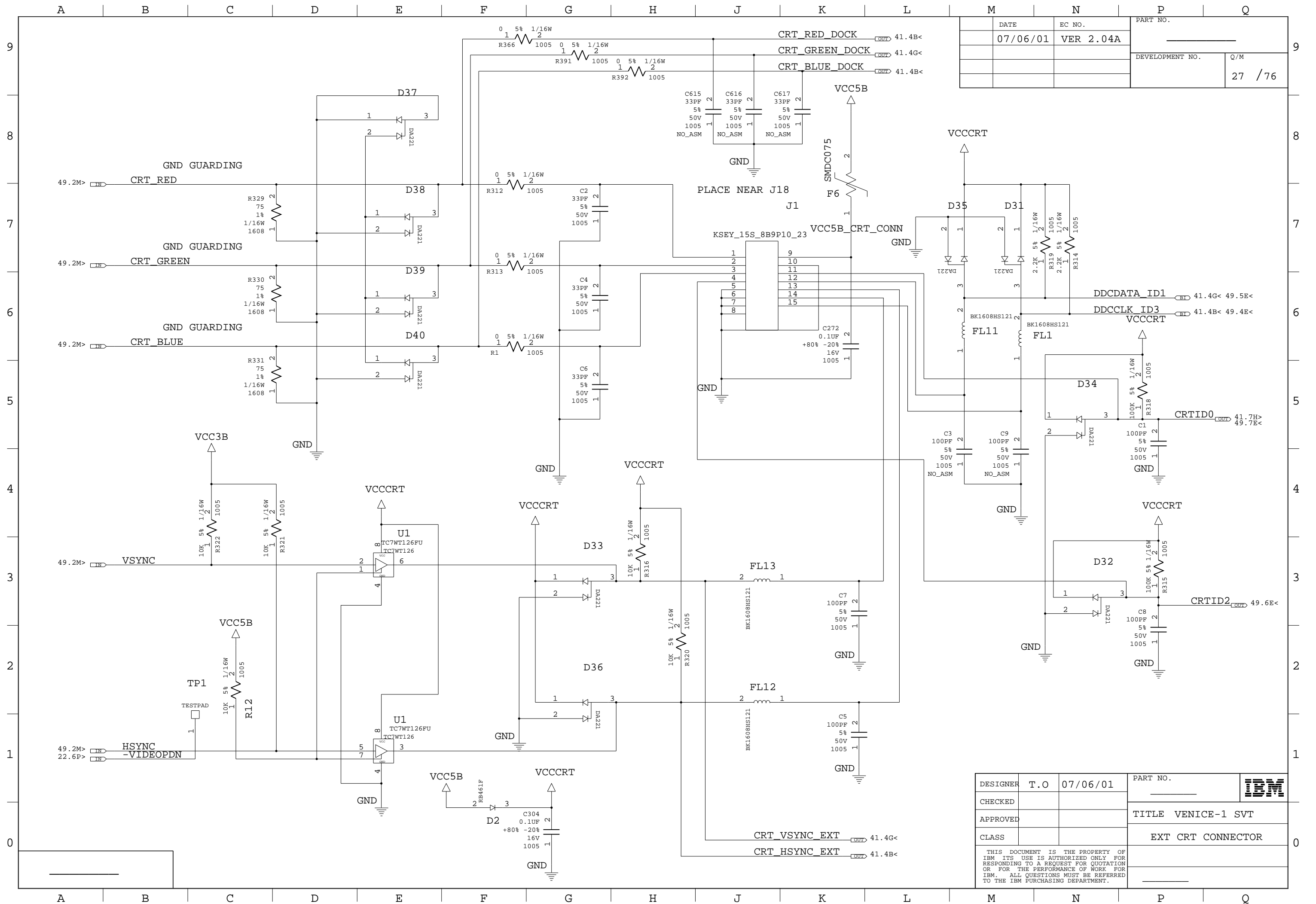
	NOMAL MODE	POWER DOWN MODE	AUTO POWER DOWN MODE
FORCEON	HIGH	DO NOT CARE	LOW
FORCEOFF	HIGH	LOW	HIGH

DESIGNER	T.O	07/06/01	PART NO.	IBM
CHECKED				
APPROVED			TITLE VENICE-1 SVT	
CLASS			SERIAL I/F	
THIS DOCUMENT IS THE PROPERTY OF IBM ITS USE IS AUTHORIZED ONLY FOR RESPONDING TO A REQUEST FOR QUOTATION OR FOR THE PERFORMANCE OF WORK FOR IBM. ALL QUESTIONS MUST BE REFERRED TO THE IBM PURCHASING DEPARTMENT.				



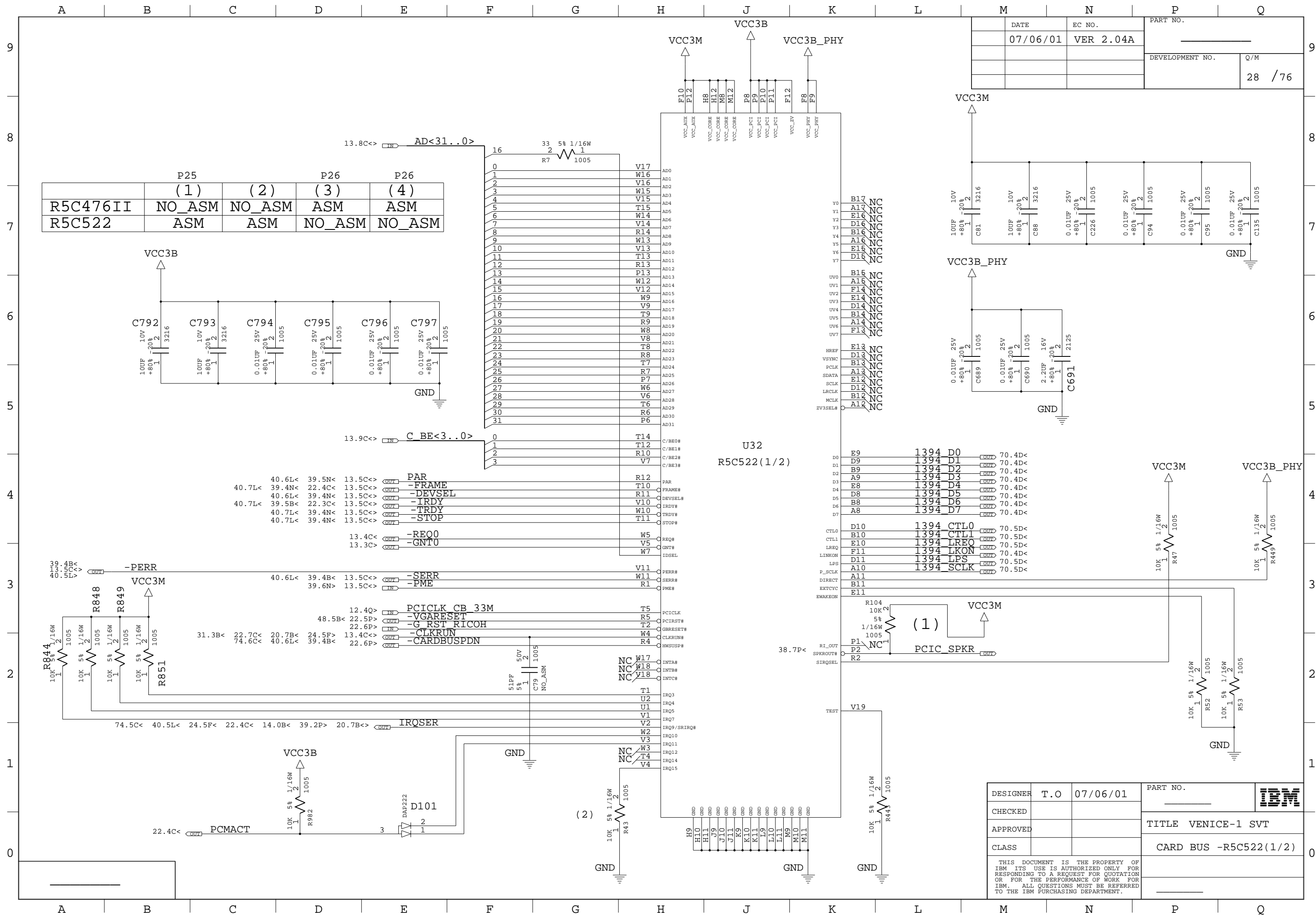
DATE	EC NO.	PART NO.
07/06/01	VER 2.04A	
DEVELOPMENT NO.		Q/M
		26 /76

DESIGNER	T.O	07/06/01	PART NO.	IBM
CHECKED				
APPROVED			TITLE	VENICE-1 SVT
CLASS				
THIS DOCUMENT IS THE PROPERTY OF IBM ITS USE IS AUTHORIZED ONLY FOR RESPONDING TO A REQUEST FOR QUOTATION OR FOR THE PERFORMANCE OF WORK FOR IBM. ALL QUESTIONS MUST BE REFERRED TO THE IBM PURCHASING DEPARTMENT.				PARALLEL PORT



DATE	EC NO.	PART NO.
07/06/01	VER 2.04A	
DEVELOPMENT NO.		Q/M
		27 / 76

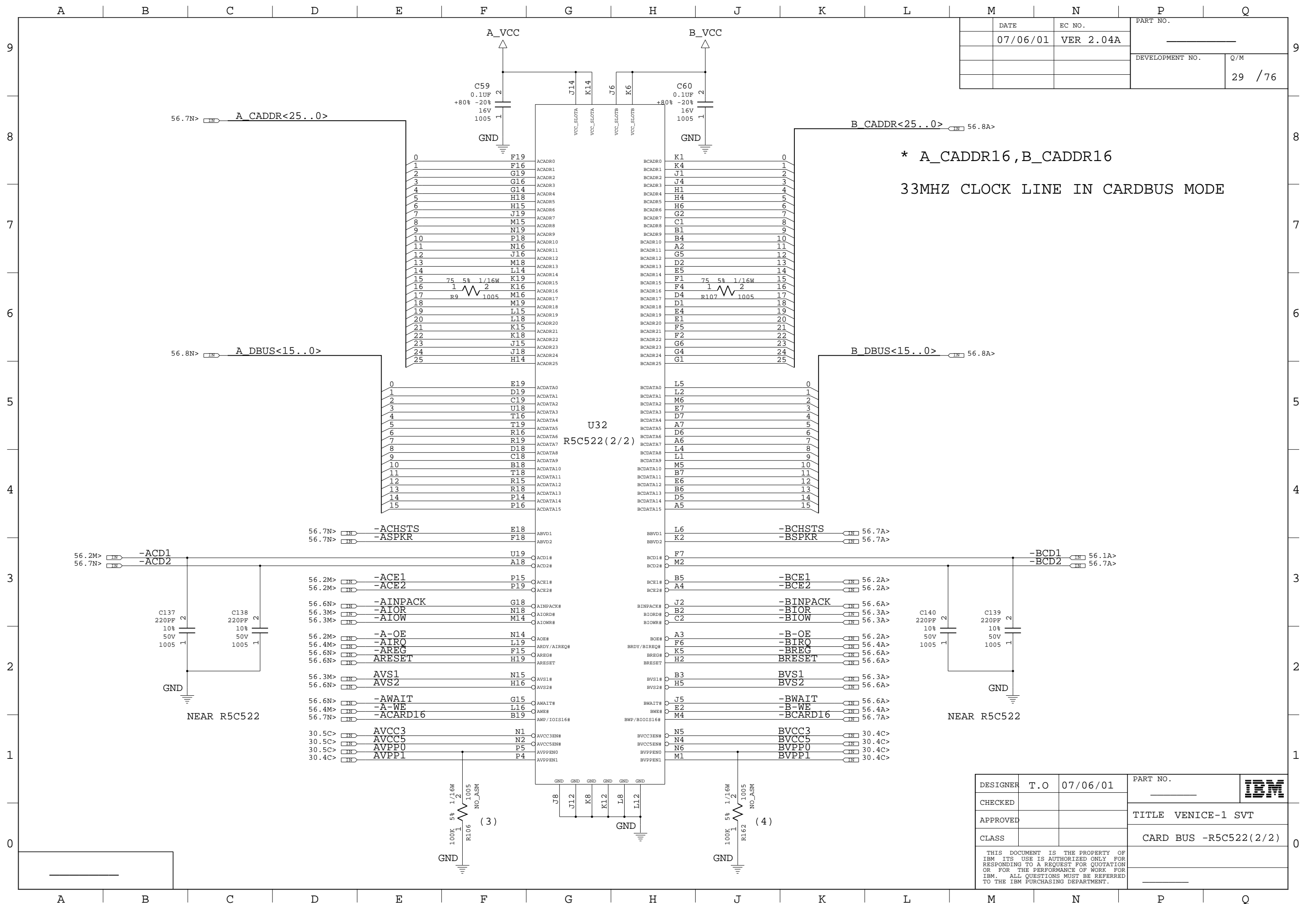
DESIGNER	T.O	07/06/01	PART NO.	IBM
CHECKED				
APPROVED			TITLE VENICE-1 SVT	
CLASS			EXT CRT CONNECTOR	
THIS DOCUMENT IS THE PROPERTY OF IBM ITS USE IS AUTHORIZED ONLY FOR RESPONDING TO A REQUEST FOR QUOTATION OR FOR THE PERFORMANCE OF WORK FOR IBM. ALL QUESTIONS MUST BE REFERRED TO THE IBM PURCHASING DEPARTMENT.				



	P25	P26	P26	P26
	(1)	(2)	(3)	(4)
R5C476II	NO_ASM	NO_ASM	ASM	ASM
R5C522	ASM	ASM	NO_ASM	NO_ASM

DATE	EC NO.	PART NO.
07/06/01	VER 2.04A	
DEVELOPMENT NO.		Q/M
		28 / 76

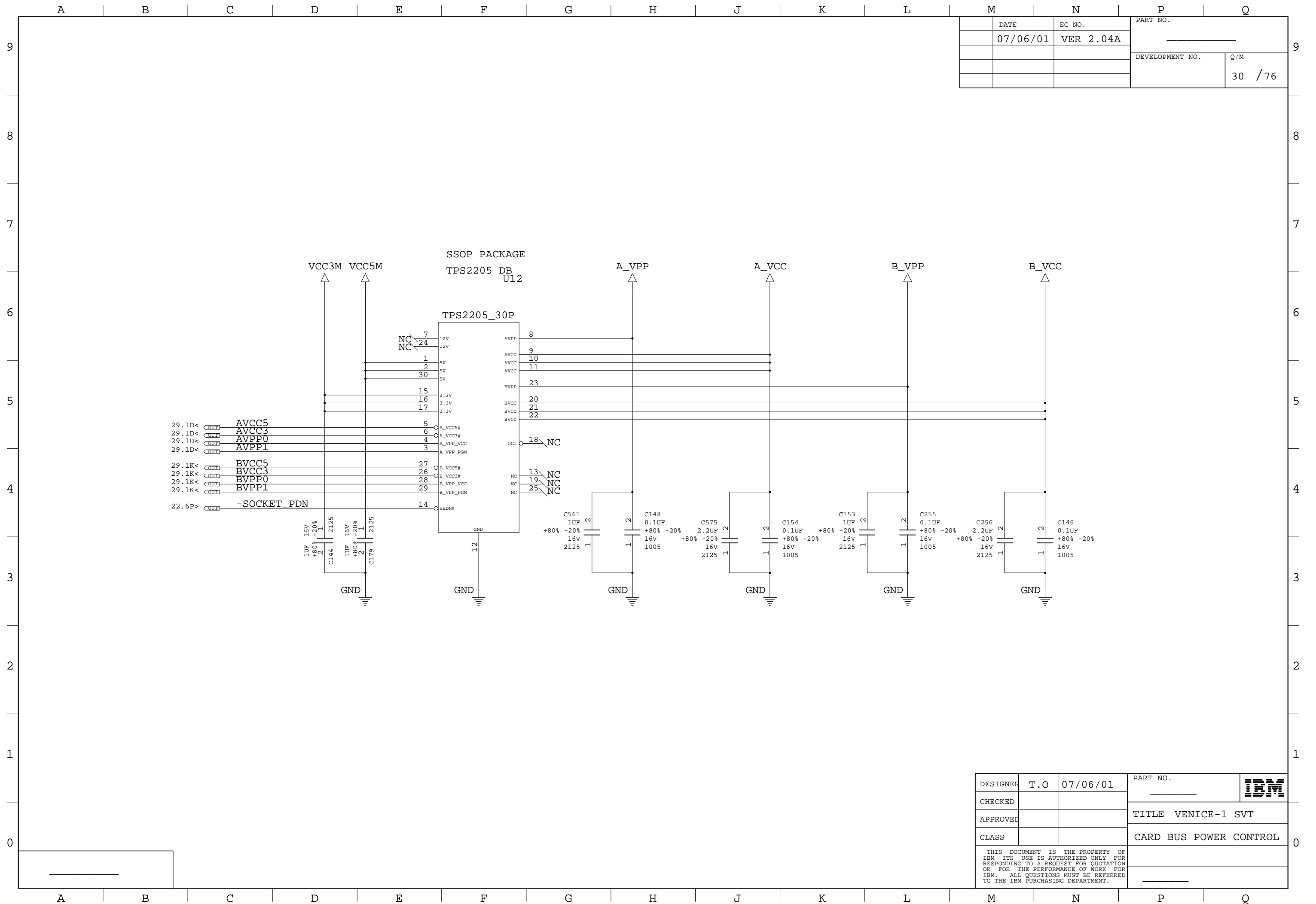
DESIGNER	T.O	07/06/01	PART NO.	IBM
CHECKED				
APPROVED			TITLE	VENICE-1 SVT
CLASS			TITLE	CARD BUS -R5C522(1/2)
THIS DOCUMENT IS THE PROPERTY OF IBM. ITS USE IS AUTHORIZED ONLY FOR RESPONDING TO A REQUEST FOR QUOTATION OR FOR THE PERFORMANCE OF WORK FOR IBM. ALL QUESTIONS MUST BE REFERRED TO THE IBM PURCHASING DEPARTMENT.				



DATE	EC NO.	PART NO.
07/06/01	VER 2.04A	
DEVELOPMENT NO.		Q/M
		29 / 76

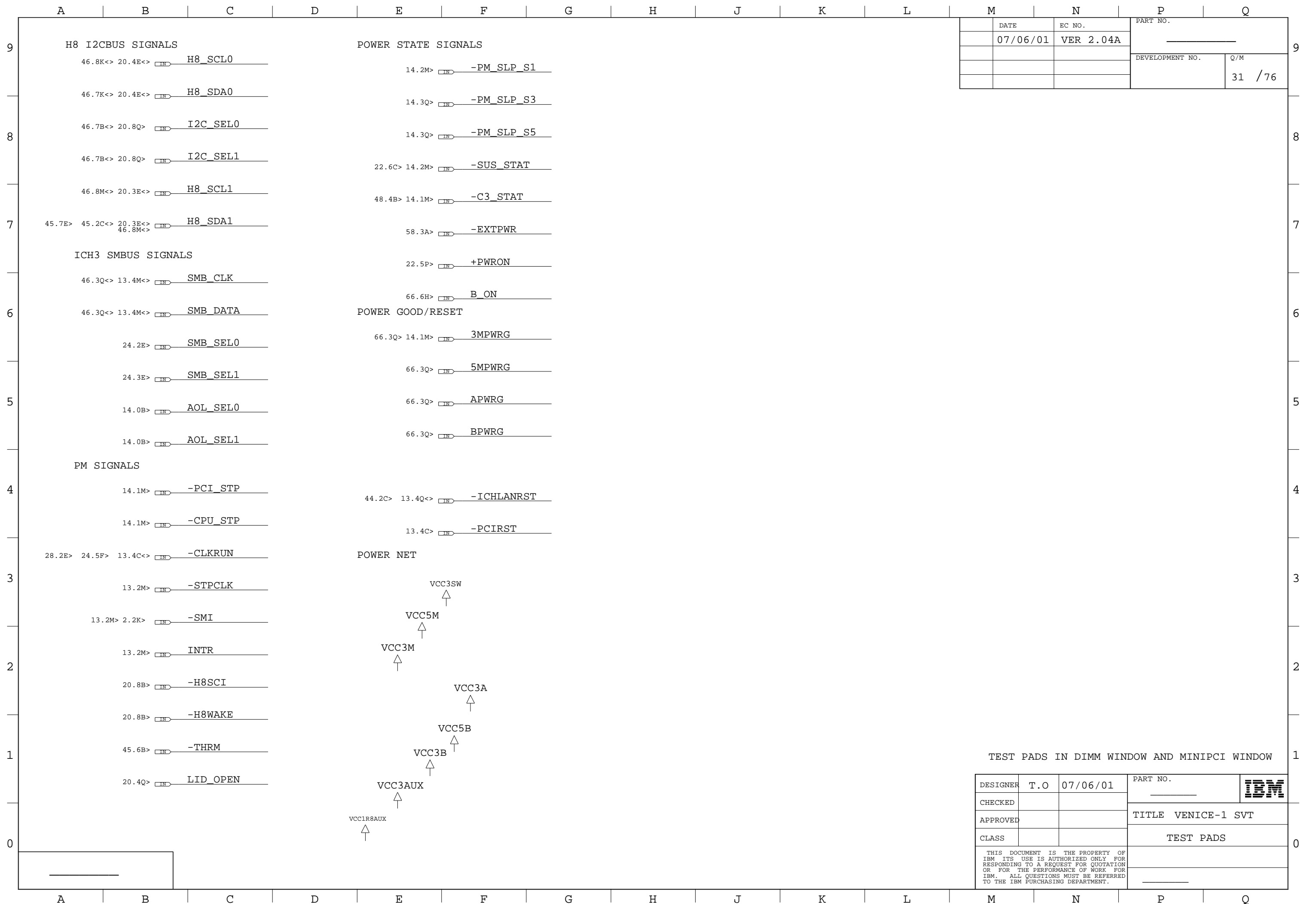
* A_CADDR16, B_CADDR16
33MHZ CLOCK LINE IN CARDBUS MODE

DESIGNER	T.O	07/06/01	PART NO.	IBM
CHECKED				
APPROVED			TITLE VENICE-1 SVT	
CLASS			CARD BUS -R5C522(2/2)	
THIS DOCUMENT IS THE PROPERTY OF IBM ITS USE IS AUTHORIZED ONLY FOR RESPONDING TO A REQUEST FOR QUOTATION OR FOR THE PERFORMANCE OF WORK FOR IBM. ALL QUESTIONS MUST BE REFERRED TO THE IBM PURCHASING DEPARTMENT.				



DATE	EC NO.	PART NO.	
07/06/01	VER 2.04A		
		DEVELOPMENT NO.	Q/M
			30 / 76

DESIGNER	T.O	07/06/01	PART NO.	IBM
CHECKED				
APPROVED			TITLE VENICE-1 SVT	
CLASS			CARD BUS POWER CONTROL	
THIS DOCUMENT IS THE PROPERTY OF IBM. ITS USE IS AUTHORIZED ONLY FOR RESPONDING TO A REQUEST FOR QUOTATION OR FOR THE PERFORMANCE OF WORK FOR IBM. ALL QUESTIONS MUST BE REFERRED TO THE IBM PURCHASING DEPARTMENT.				

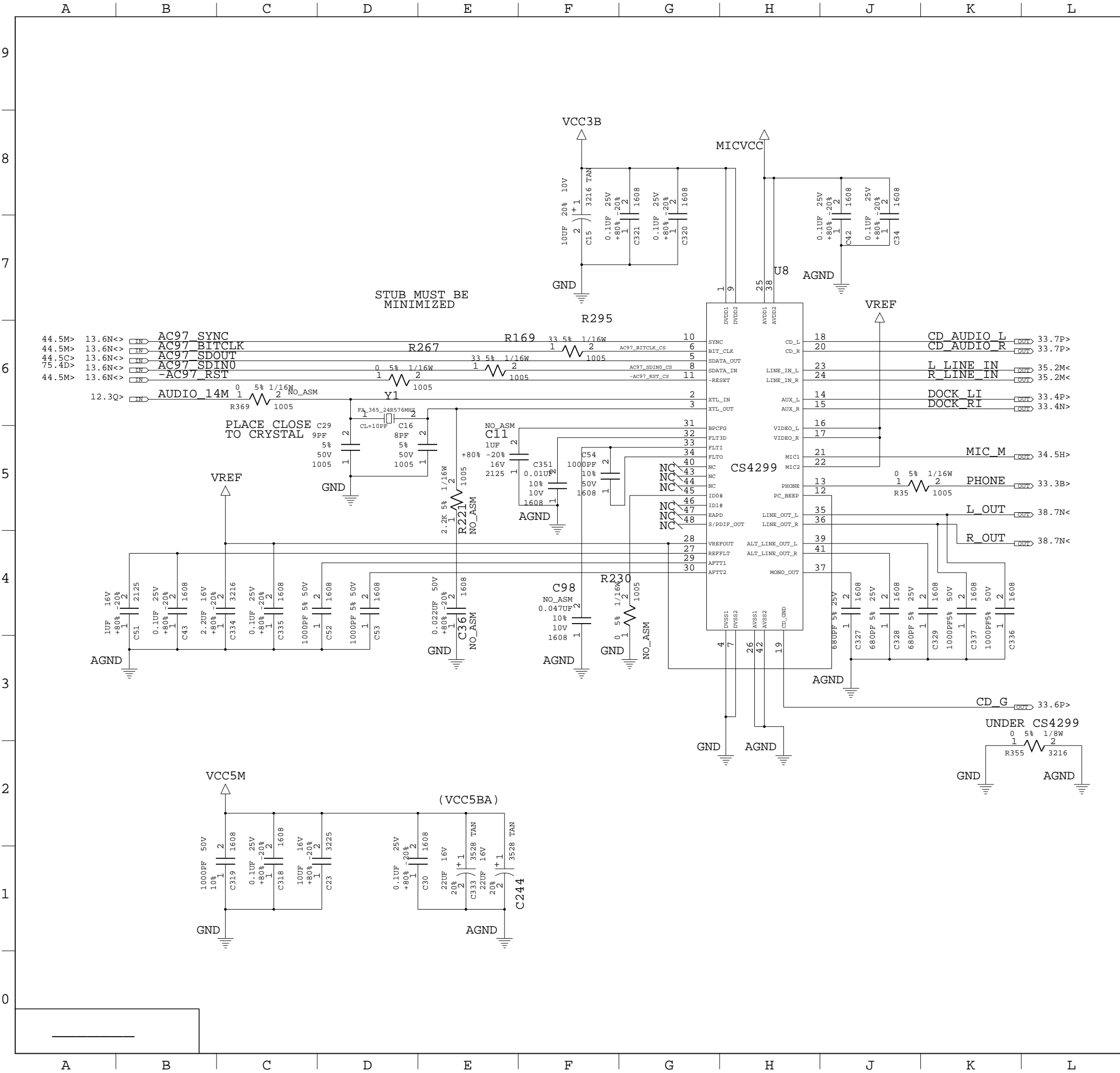


DATE	EC NO.	PART NO.	
07/06/01	VER 2.04A	_____	
		DEVELOPMENT NO.	Q/M
			31 /76

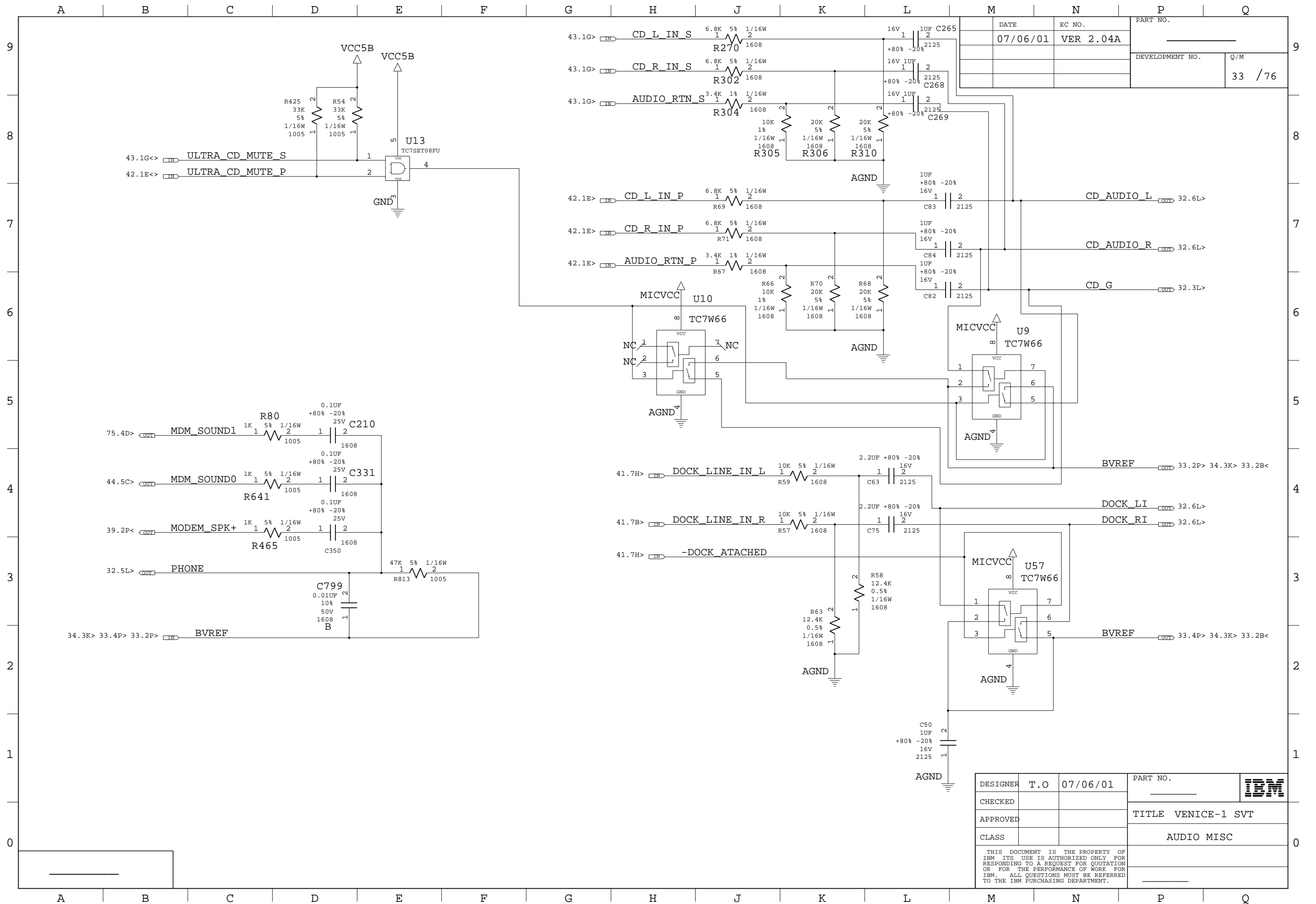
TEST PADS IN DIMM WINDOW AND MINIPCI WINDOW

DESIGNER	T.O	07/06/01	PART NO.	IBM
CHECKED			_____	
APPROVED			TITLE VENICE-1 SVT	
CLASS			TEST PADS	
THIS DOCUMENT IS THE PROPERTY OF IBM ITS USE IS AUTHORIZED ONLY FOR RESPONDING TO A REQUEST FOR QUOTATION OR FOR THE PERFORMANCE OF WORK FOR IBM. ALL QUESTIONS MUST BE REFERRED TO THE IBM PURCHASING DEPARTMENT.				

DATE	EC NO.	PART NO.	
07/06/01	VER 2.04A	_____	
		DEVELOPMENT NO.	Q/M
			32 / 76

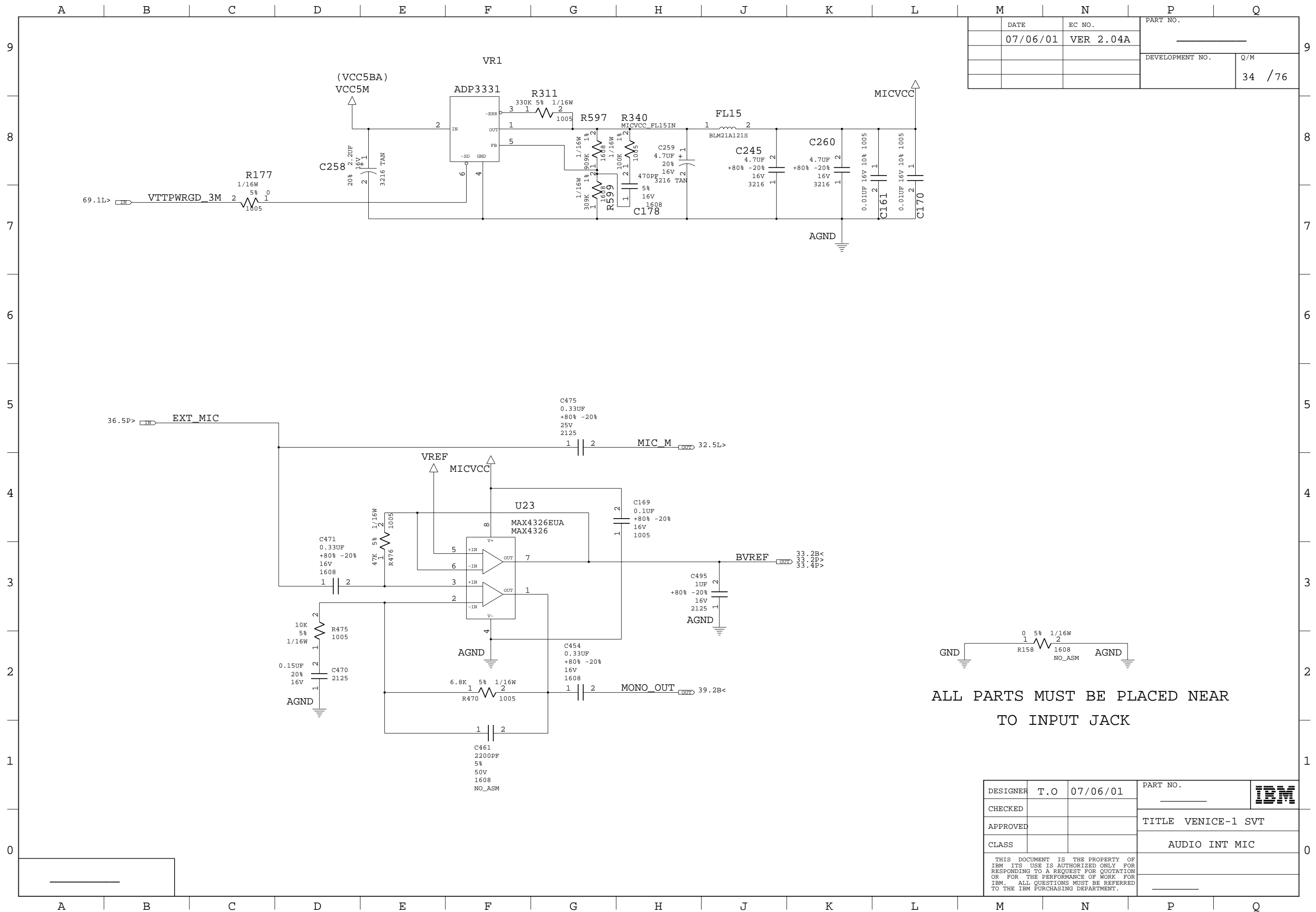


DESIGNER	T.O	07/06/01	PART NO.	IBM
CHECKED			_____	
APPROVED			TITLE VENICE-1 SVT	
CLASS			AUDIO CS4201	
THIS DOCUMENT IS THE PROPERTY OF IBM ITS USE IS AUTHORIZED ONLY FOR RESPONDING TO A REQUEST FOR QUOTATION OR FOR THE PERFORMANCE OF WORK FOR IBM. ALL QUESTIONS MUST BE REFERRED TO THE IBM PURCHASING DEPARTMENT.				



DATE	EC NO.	PART NO.
07/06/01	VER 2.04A	
DEVELOPMENT NO.		Q/M
		33 / 76

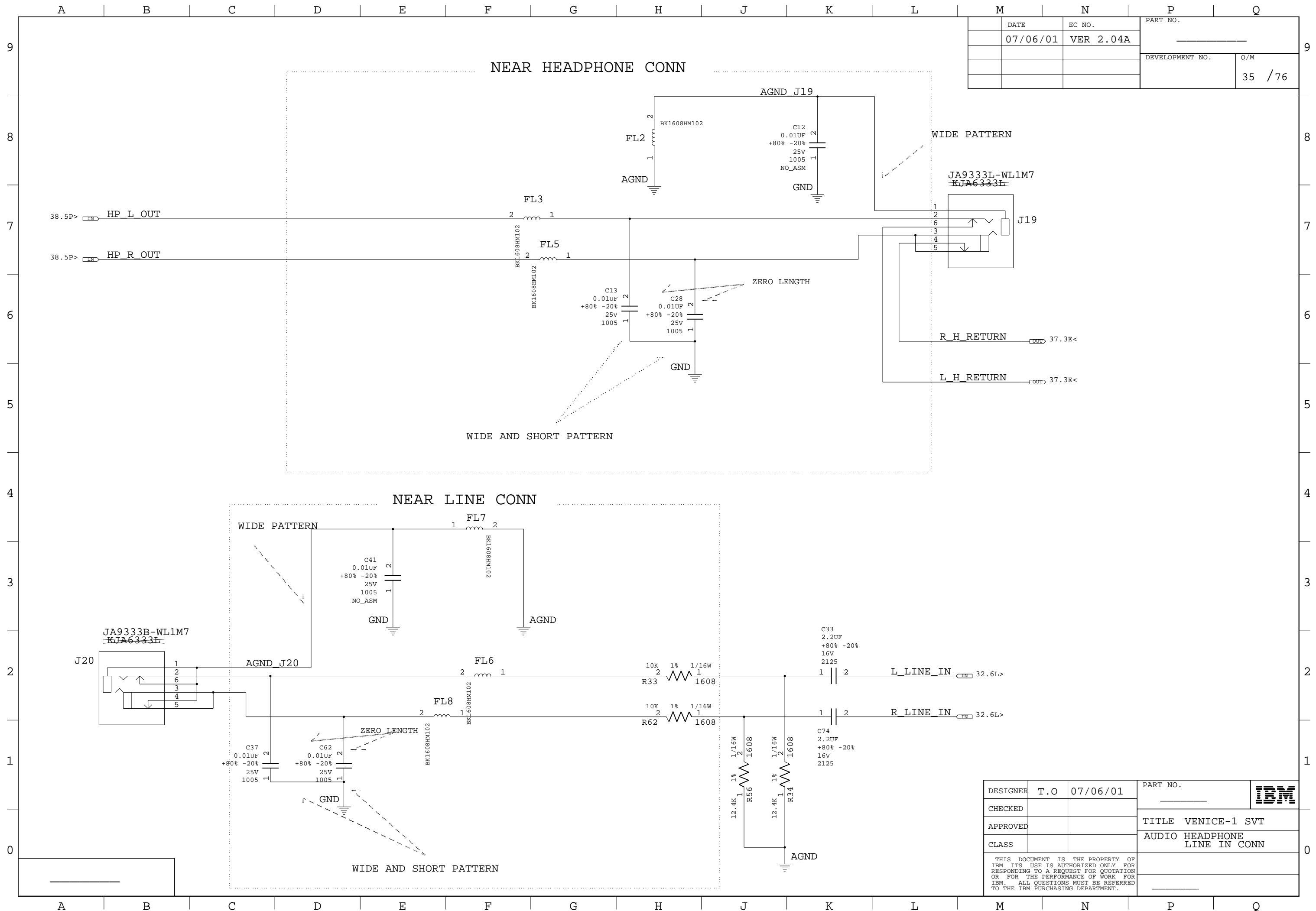
DESIGNER	T.O	07/06/01	PART NO.	IBM
CHECKED				
APPROVED			TITLE VENICE-1 SVT	
CLASS			AUDIO MISC	
THIS DOCUMENT IS THE PROPERTY OF IBM. ITS USE IS AUTHORIZED ONLY FOR RESPONDING TO A REQUEST FOR QUOTATION OR FOR THE PERFORMANCE OF WORK FOR IBM. ALL QUESTIONS MUST BE REFERRED TO THE IBM PURCHASING DEPARTMENT.				



DATE	EC NO.	PART NO.	
07/06/01	VER 2.04A		
		DEVELOPMENT NO.	Q/M
			34 / 76

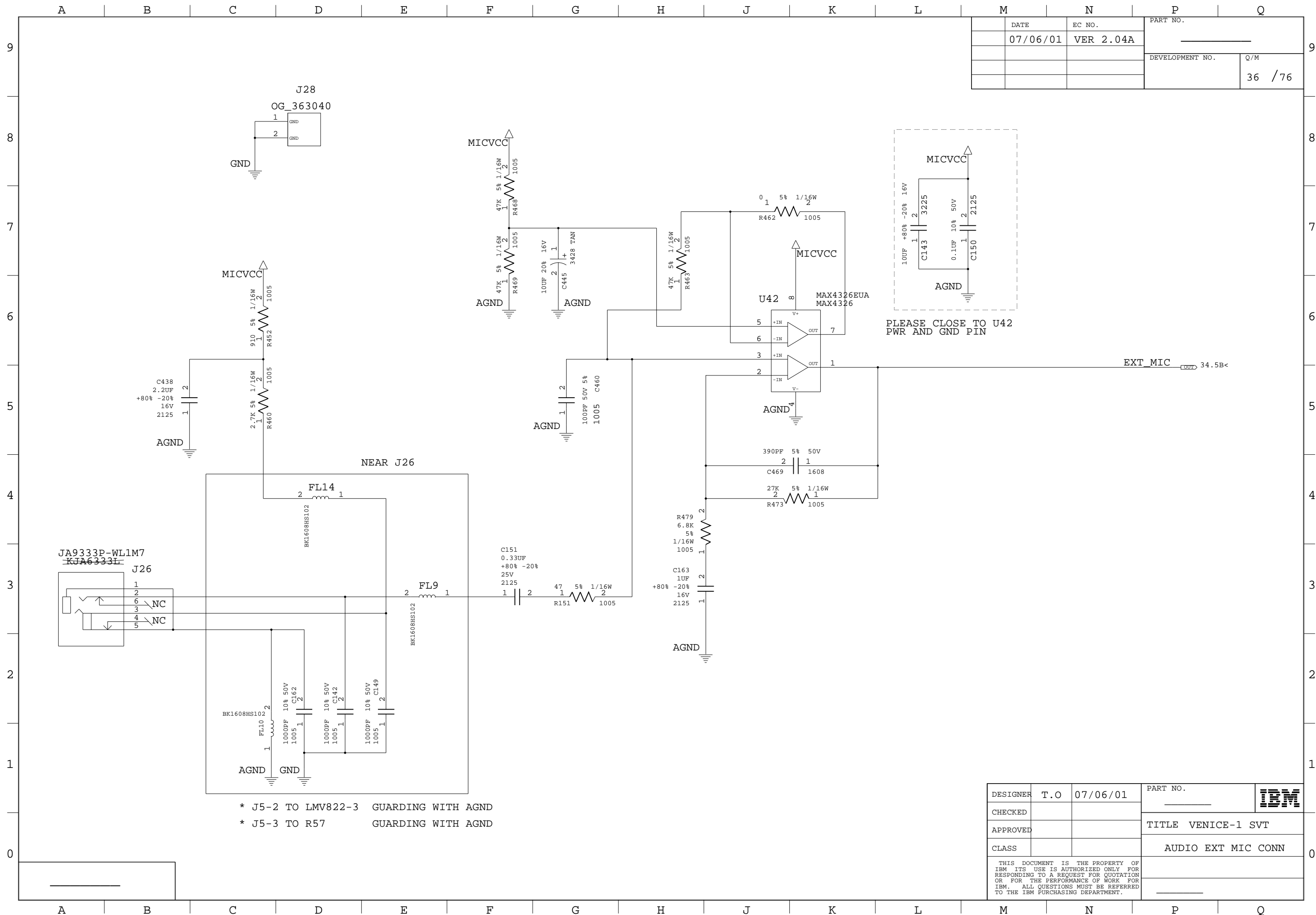
ALL PARTS MUST BE PLACED NEAR
TO INPUT JACK

DESIGNER	T.O	07/06/01	PART NO.	IBM
CHECKED				
APPROVED			TITLE VENICE-1 SVT	
CLASS			AUDIO INT MIC	
THIS DOCUMENT IS THE PROPERTY OF IBM ITS USE IS AUTHORIZED ONLY FOR RESPONDING TO A REQUEST FOR QUOTATION OR FOR THE PERFORMANCE OF WORK FOR IBM. ALL QUESTIONS MUST BE REFERRED TO THE IBM PURCHASING DEPARTMENT.				



DATE	EC NO.	PART NO.	
07/06/01	VER 2.04A		
		DEVELOPMENT NO.	Q/M
			35 / 76

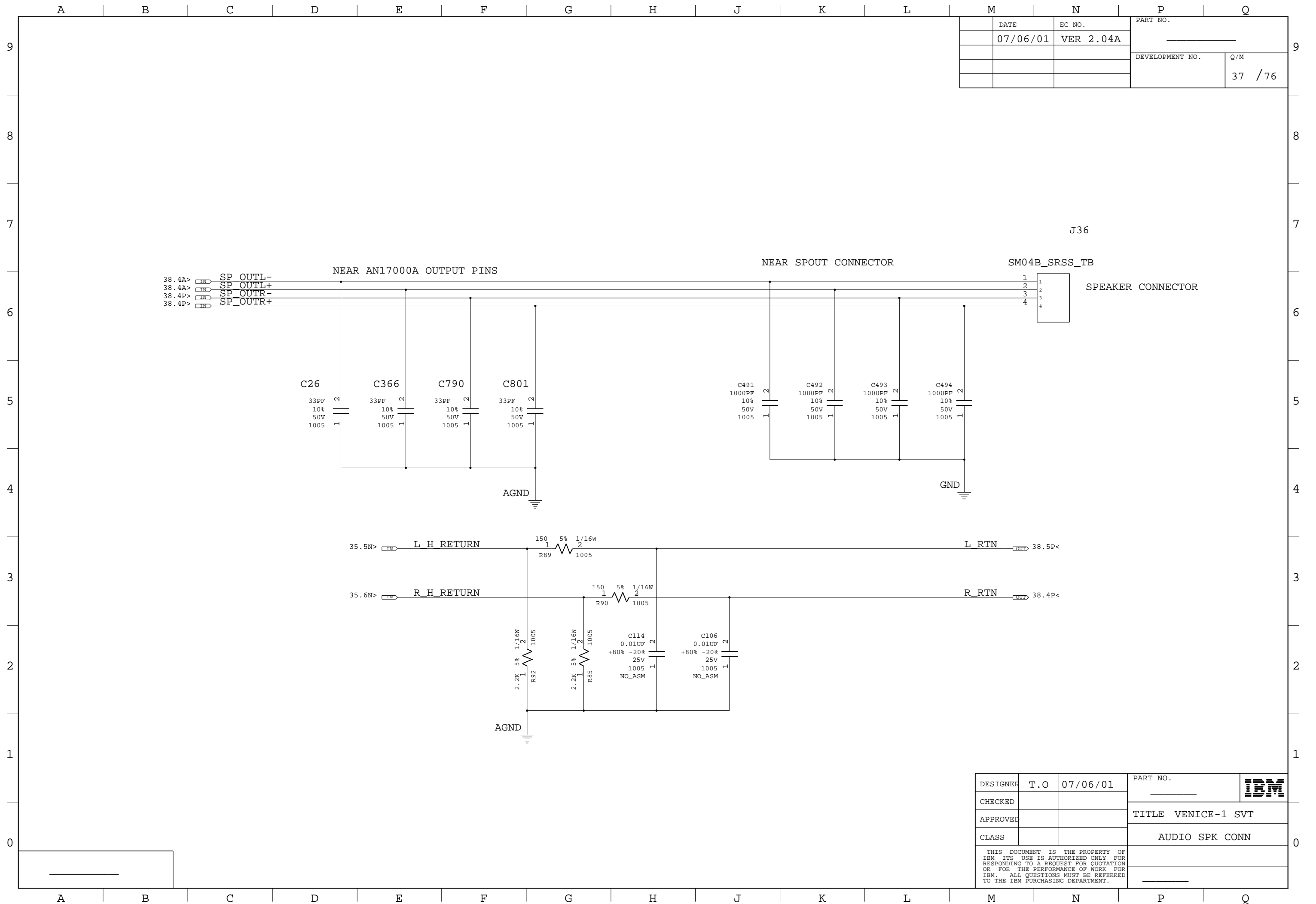
DESIGNER	T.O	07/06/01	PART NO.	IBM
CHECKED				
APPROVED			TITLE VENICE-1 SVT	
CLASS			AUDIO HEADPHONE LINE IN CONN	
THIS DOCUMENT IS THE PROPERTY OF IBM ITS USE IS AUTHORIZED ONLY FOR RESPONDING TO A REQUEST FOR QUOTATION OR FOR THE PERFORMANCE OF WORK FOR IBM. ALL QUESTIONS MUST BE REFERRED TO THE IBM PURCHASING DEPARTMENT.				



DATE	EC NO.	PART NO.	
07/06/01	VER 2.04A		
		DEVELOPMENT NO.	Q/M
			36 / 76

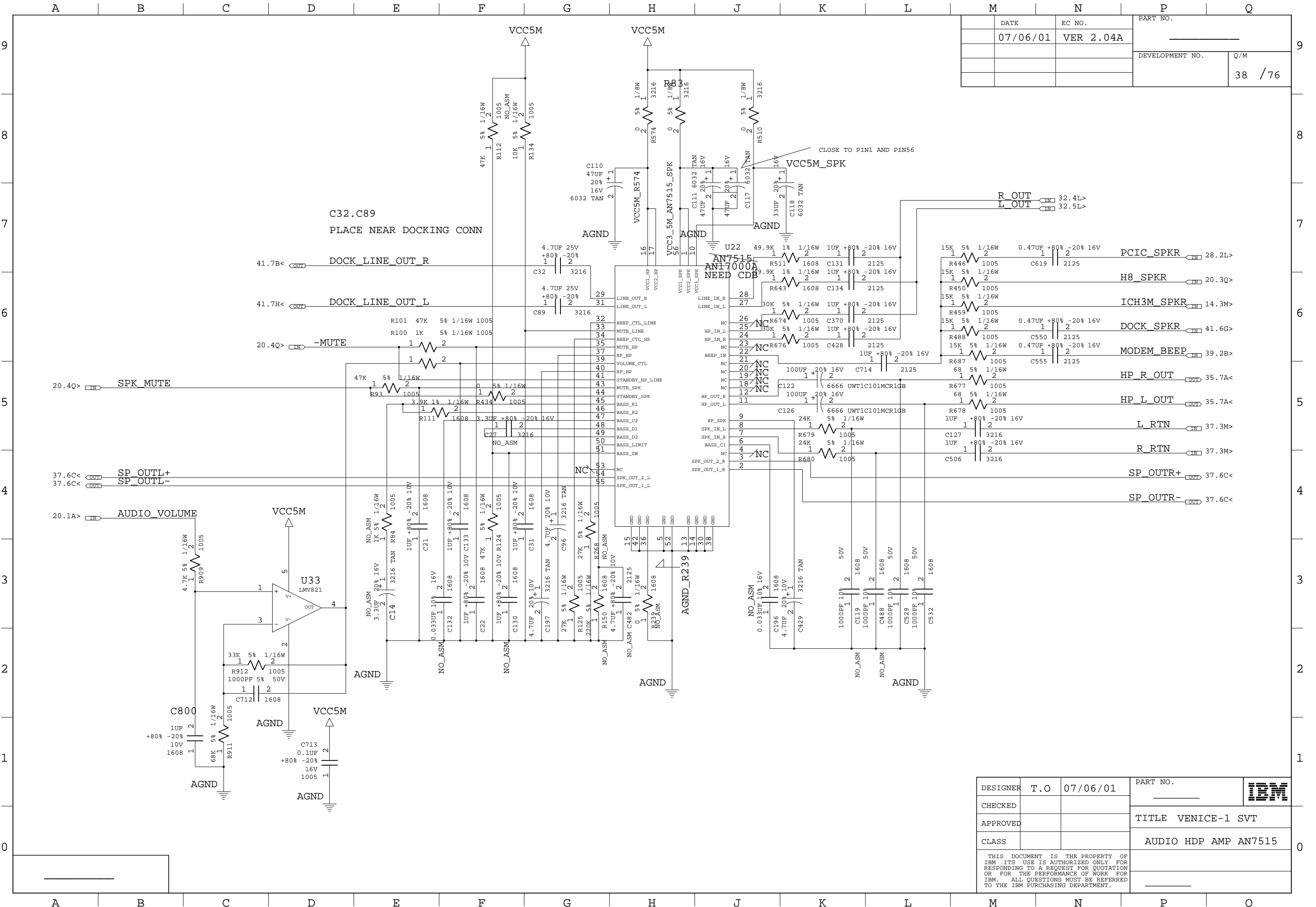
* J5-2 TO LMV822-3 GUARDING WITH AGND
 * J5-3 TO R57 GUARDING WITH AGND

DESIGNER	T.O	07/06/01	PART NO.	IBM
CHECKED				
APPROVED			TITLE VENICE-1 SVT	
CLASS			AUDIO EXT MIC CONN	
<small>THIS DOCUMENT IS THE PROPERTY OF IBM ITS USE IS AUTHORIZED ONLY FOR RESPONDING TO A REQUEST FOR QUOTATION OR FOR THE PERFORMANCE OF WORK FOR IBM. ALL QUESTIONS MUST BE REFERRED TO THE IBM PURCHASING DEPARTMENT.</small>				



DATE	EC NO.	PART NO.	
07/06/01	VER 2.04A		
		DEVELOPMENT NO.	Q/M
			37 / 76

DESIGNER	T.O	07/06/01	PART NO.	IBM
CHECKED				
APPROVED			TITLE VENICE-1 SVT	
CLASS			AUDIO SPK CONN	
THIS DOCUMENT IS THE PROPERTY OF IBM ITS USE IS AUTHORIZED ONLY FOR RESPONDING TO A REQUEST FOR QUOTATION OR FOR THE PERFORMANCE OF WORK FOR IBM. ALL QUESTIONS MUST BE REFERRED TO THE IBM PURCHASING DEPARTMENT.				

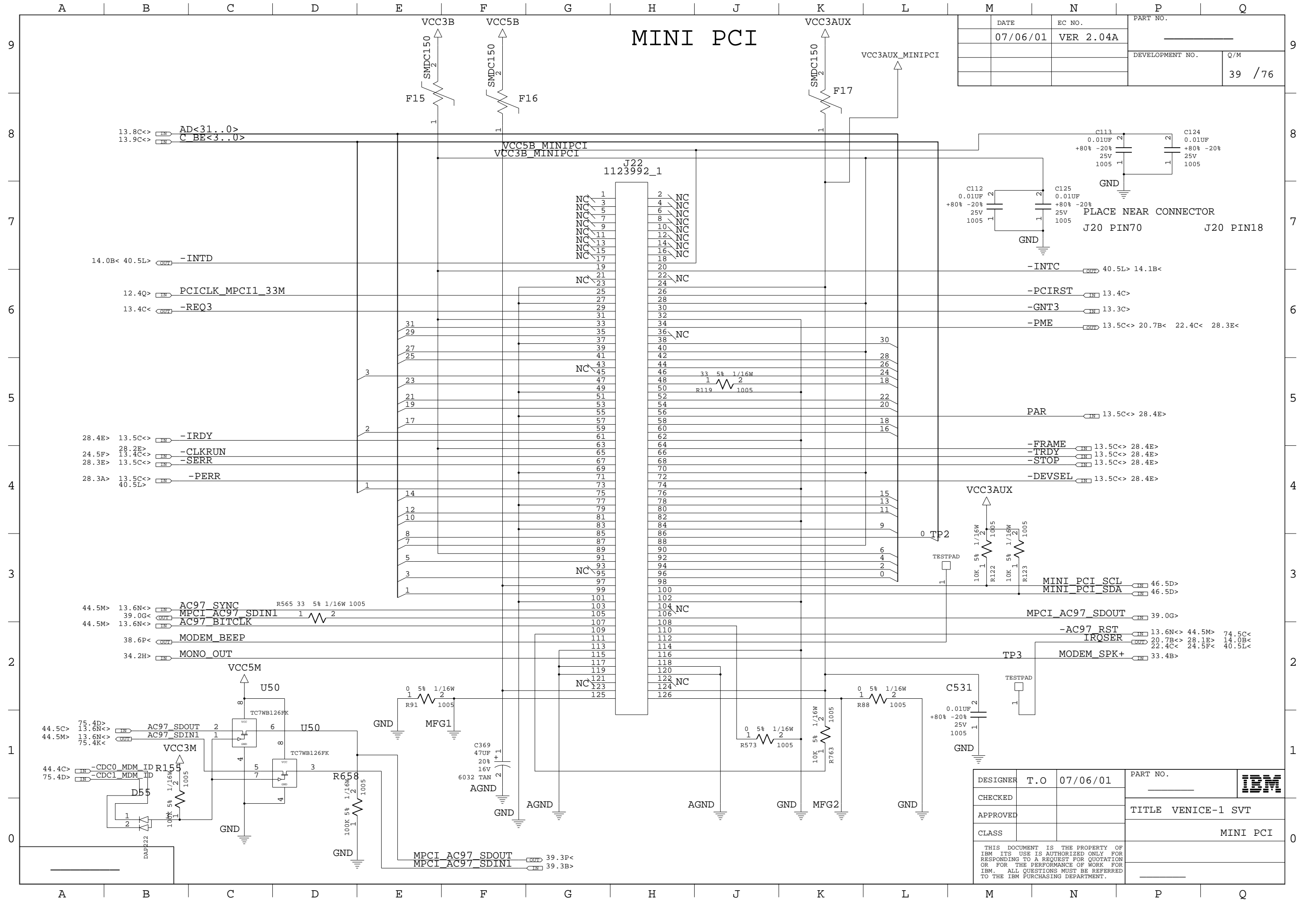


DATE	EC NO.	PART NO.
07/06/01	VER 2.04A	
DEVELOPMENT NO.		Q/M
		38 / 76

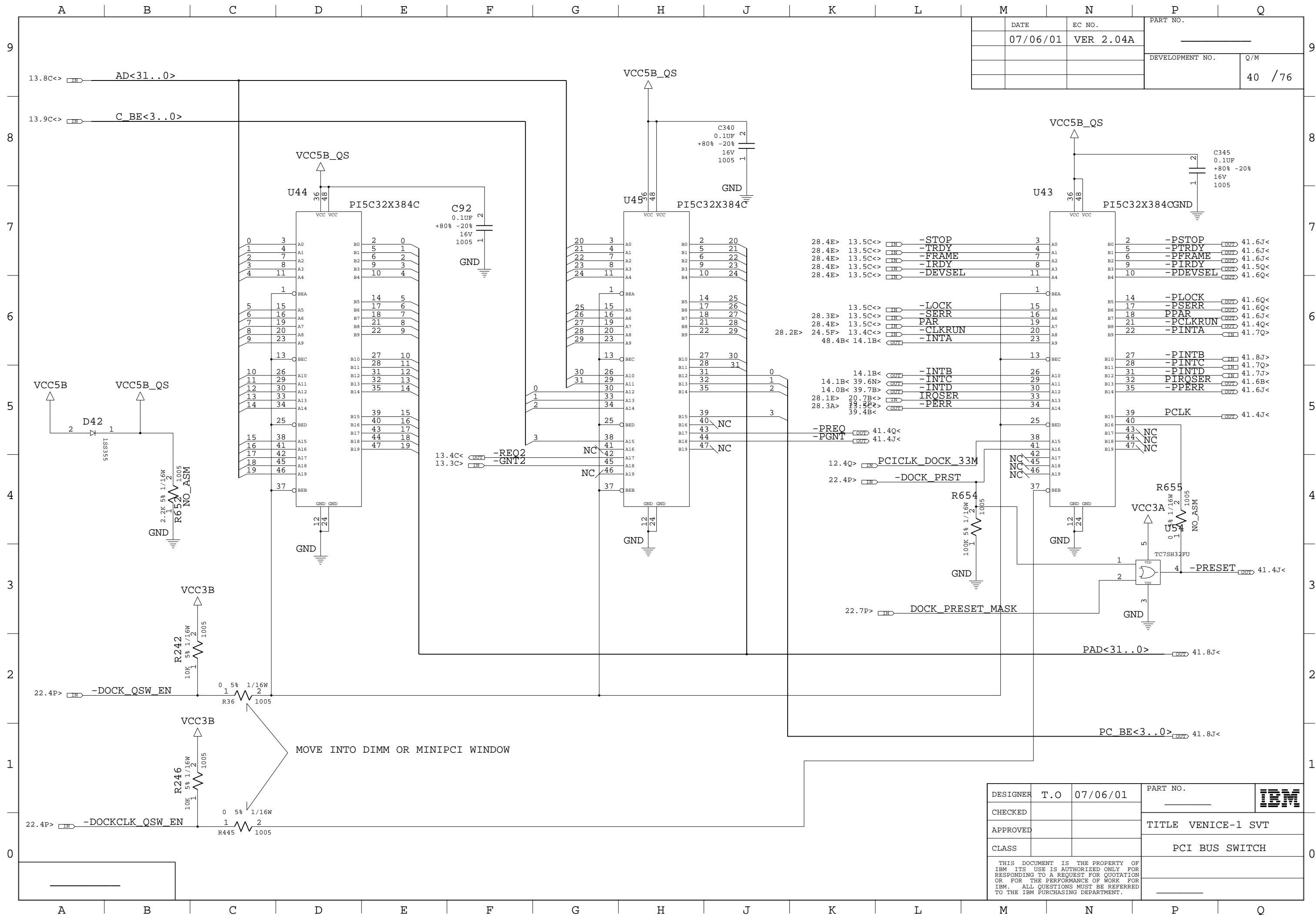
DESIGNER	T.O	07/06/01	PART NO.	IBM
CHECKED				
APPROVED			TITLE VENICE-1 SVT	
CLASS			AUDIO HDP AMP AN7515	
THIS DOCUMENT IS THE PROPERTY OF IBM. ITS USE IS AUTHORIZED ONLY FOR RESPONDING TO A REQUEST FOR QUOTATION OR FOR THE PERFORMANCE OF WORK FOR IBM. ALL QUESTIONS MUST BE REFERRED TO THE IBM PURCHASING DEPARTMENT.				

MINI PCI

DATE	EC NO.	PART NO.
07/06/01	VER 2.04A	
DEVELOPMENT NO.		Q/M
		39 / 76

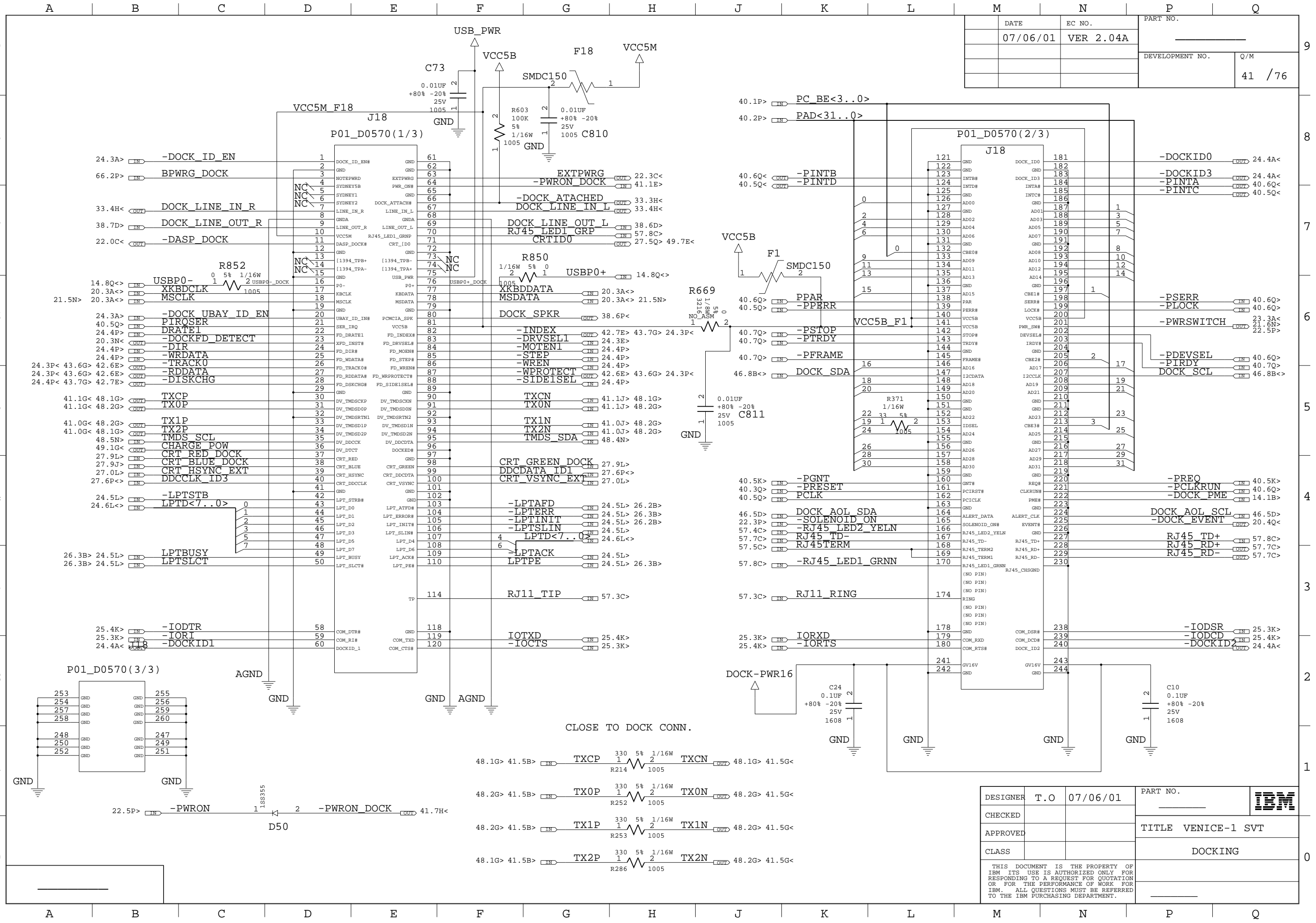


DESIGNER	T.O	07/06/01	PART NO.	IBM
CHECKED				
APPROVED			TITLE	VENICE-1 SVT
CLASS				MINI PCI
THIS DOCUMENT IS THE PROPERTY OF IBM. ITS USE IS AUTHORIZED ONLY FOR RESPONDING TO A REQUEST FOR QUOTATION OR FOR THE PERFORMANCE OF WORK FOR IBM. ALL QUESTIONS MUST BE REFERRED TO THE IBM PURCHASING DEPARTMENT.				



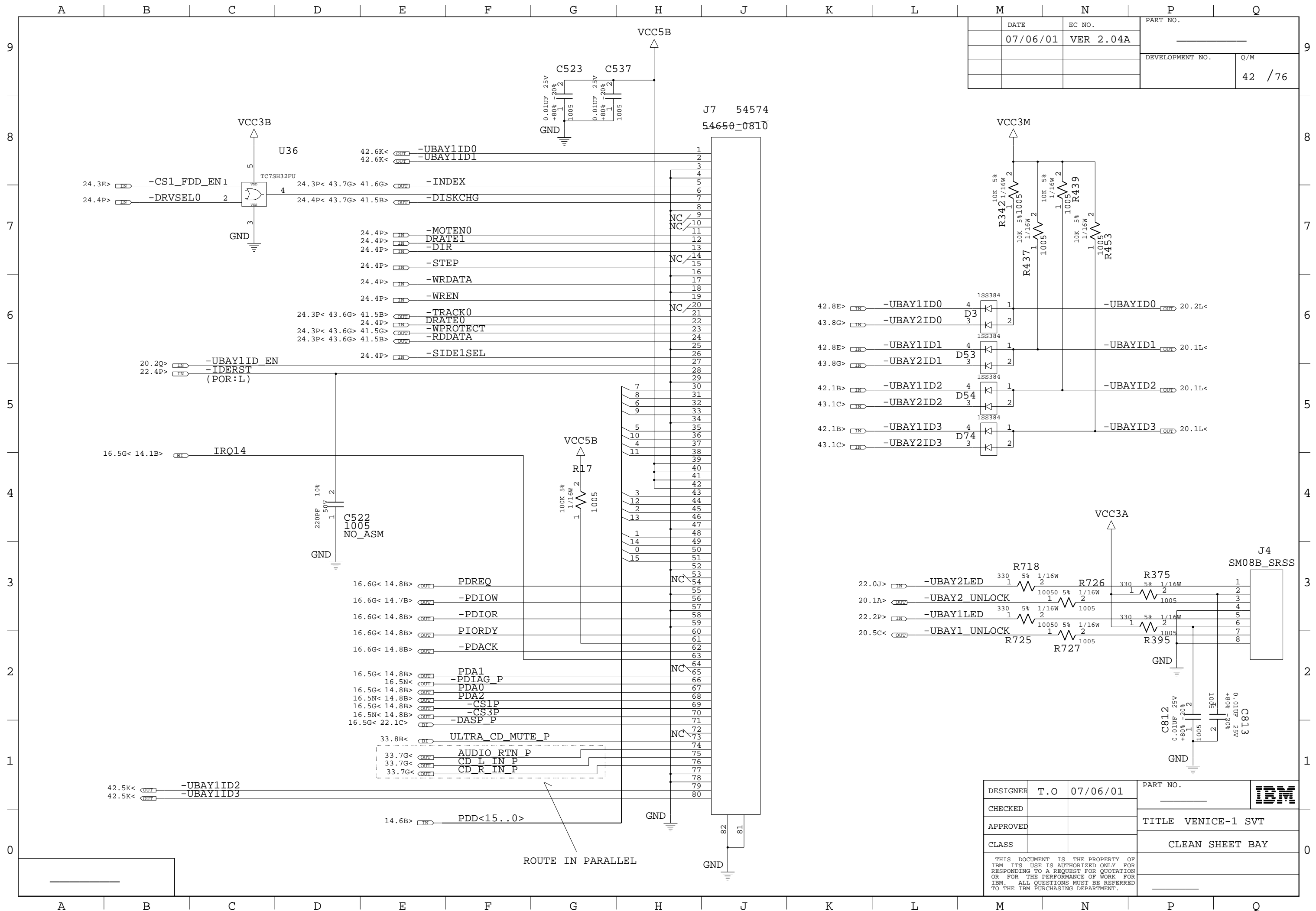
DATE	EC NO.	PART NO.	
07/06/01	VER 2.04A		
		DEVELOPMENT NO.	Q/M
			40 / 76

DESIGNER	T.O	07/06/01	PART NO.	IBM
CHECKED				
APPROVED			TITLE VENICE-1 SVT	
CLASS			PCI BUS SWITCH	
<small>THIS DOCUMENT IS THE PROPERTY OF IBM. ITS USE IS AUTHORIZED ONLY FOR RESPONDING TO A REQUEST FOR QUOTATION OR FOR THE PERFORMANCE OF WORK FOR IBM. ALL QUESTIONS MUST BE REFERRED TO THE IBM PURCHASING DEPARTMENT.</small>				



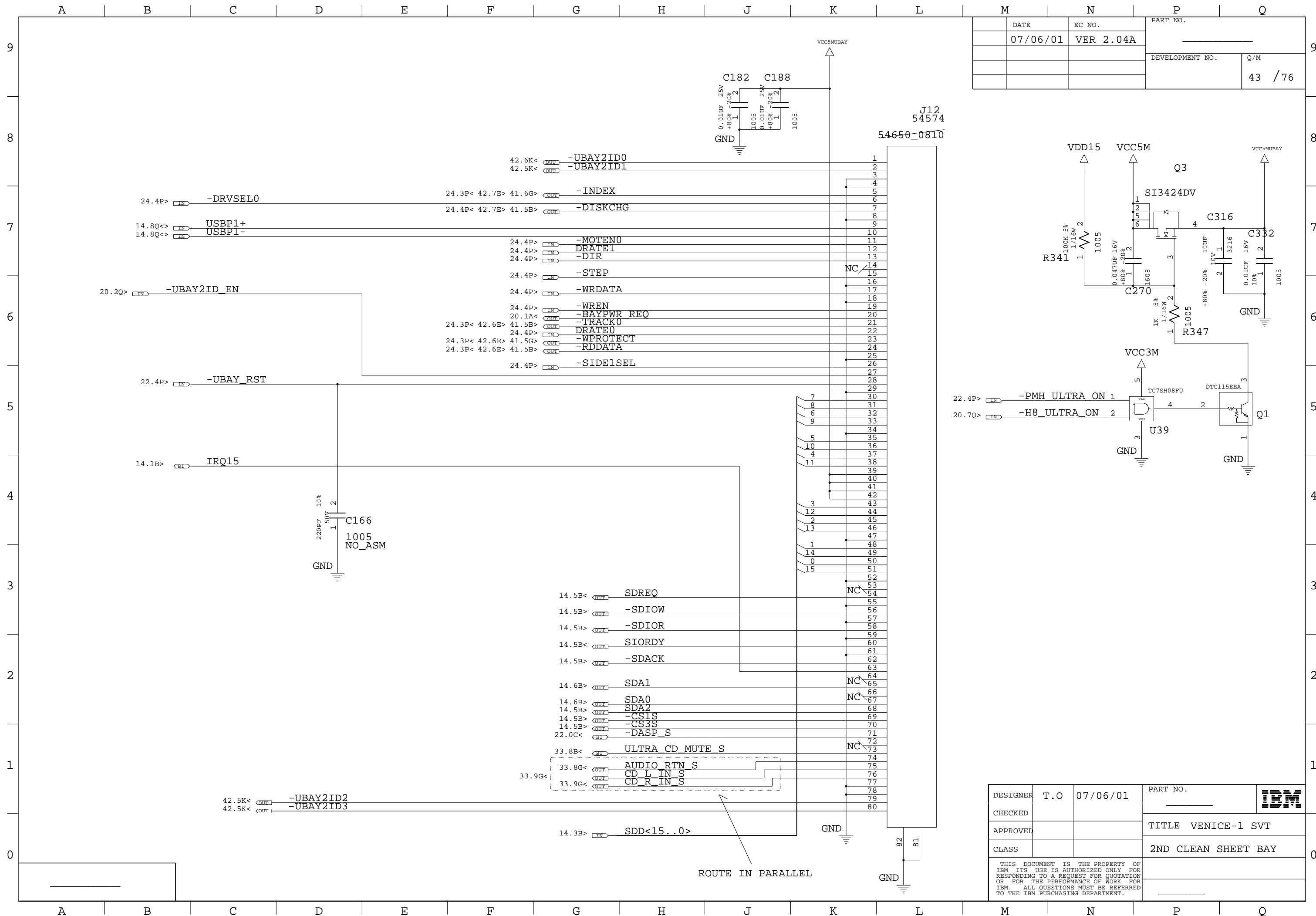
DATE	EC NO.	PART NO.
07/06/01	VER 2.04A	
DEVELOPMENT NO.		Q/M
		41 / 76

DESIGNER	T.O	07/06/01	PART NO.	IBM
CHECKED				
APPROVED			TITLE VENICE-1 SVT	
CLASS			DOCKING	
THIS DOCUMENT IS THE PROPERTY OF IBM. ITS USE IS AUTHORIZED ONLY FOR RESPONDING TO A REQUEST FOR QUOTATION OR FOR THE PERFORMANCE OF WORK FOR IBM. ALL QUESTIONS MUST BE REFERRED TO THE IBM PURCHASING DEPARTMENT.				



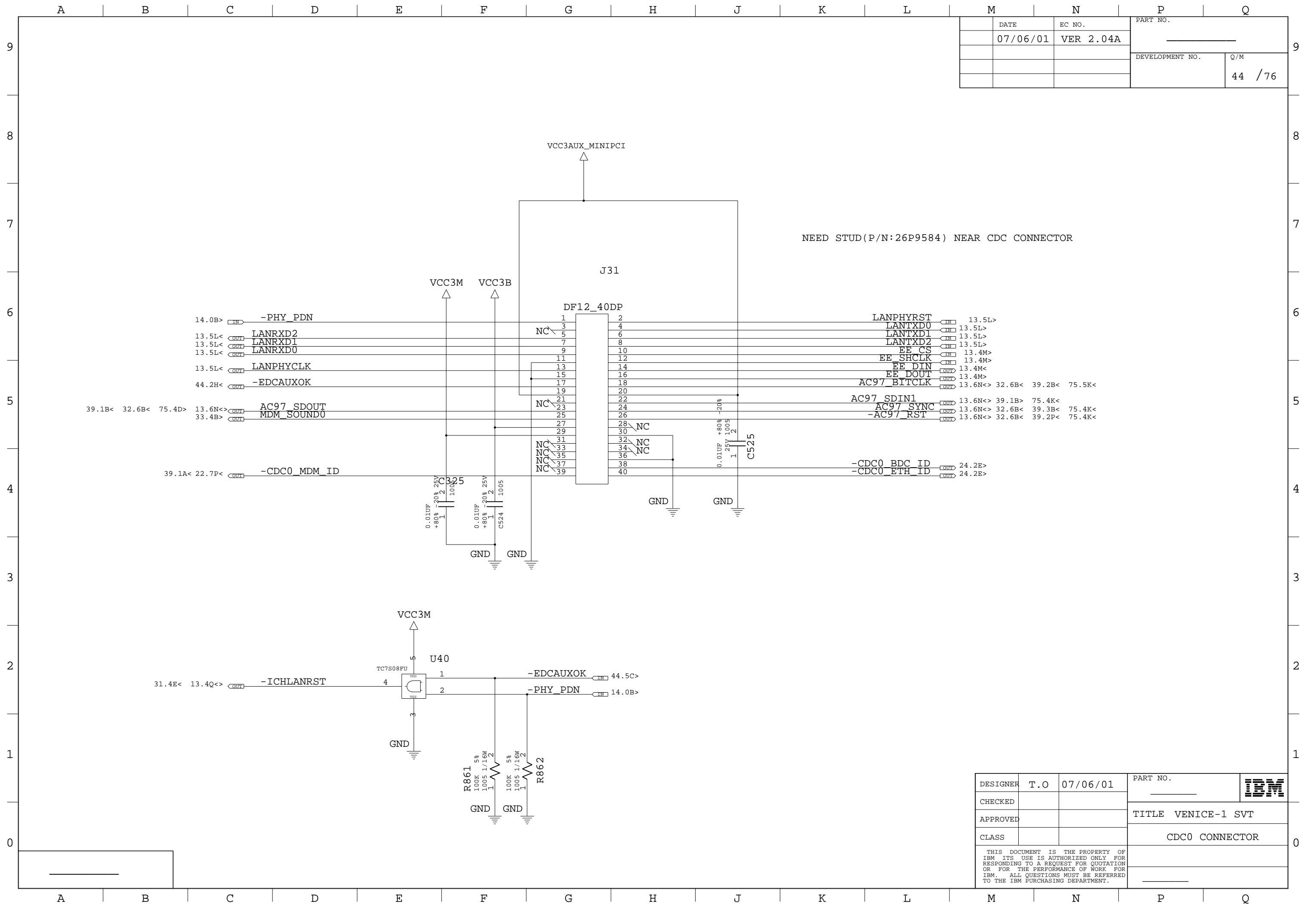
DATE	EC NO.	PART NO.
07/06/01	VER 2.04A	
DEVELOPMENT NO.		Q/M
		42 / 76

DESIGNER	T.O	07/06/01	PART NO.	IBM
CHECKED			TITLE VENICE-1 SVT	
APPROVED			CLEAN SHEET BAY	
CLASS				
THIS DOCUMENT IS THE PROPERTY OF IBM. ITS USE IS AUTHORIZED ONLY FOR RESPONDING TO A REQUEST FOR QUOTATION OR FOR THE PERFORMANCE OF WORK FOR IBM. ALL QUESTIONS MUST BE REFERRED TO THE IBM PURCHASING DEPARTMENT.				



DATE	EC NO.	PART NO.
07/06/01	VER 2.04A	
DEVELOPMENT NO.		Q/M
		43 / 76

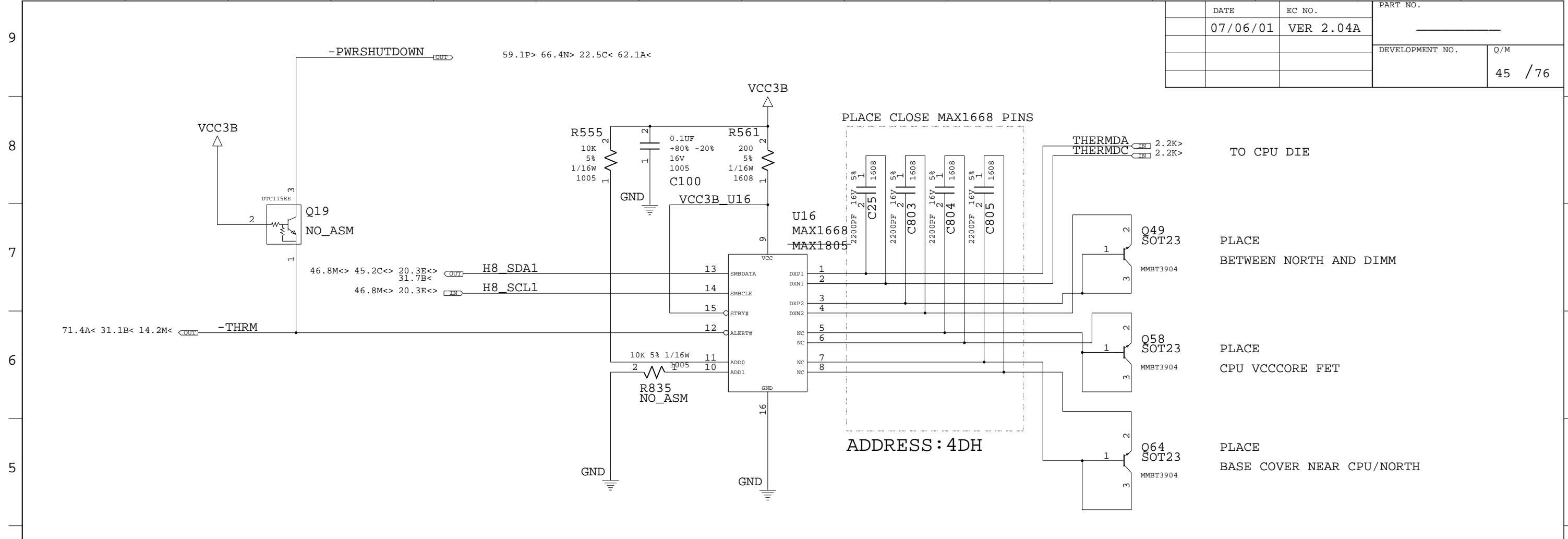
DESIGNER	T.O	07/06/01	PART NO.	IBM
CHECKED				
APPROVED			TITLE VENICE-1 SVT	
CLASS			2ND CLEAN SHEET BAY	
THIS DOCUMENT IS THE PROPERTY OF IBM ITS USE IS AUTHORIZED ONLY FOR RESPONDING TO A REQUEST FOR QUOTATION OR FOR THE PERFORMANCE OF WORK FOR IBM. ALL QUESTIONS MUST BE REFERRED TO THE IBM PURCHASING DEPARTMENT.				



DATE	EC NO.	PART NO.	
07/06/01	VER 2.04A		
		DEVELOPMENT NO.	Q/M
			44 / 76

DESIGNER	T.O	07/06/01	PART NO.	IBM
CHECKED				
APPROVED			TITLE VENICE-1 SVT	
CLASS			CDC0 CONNECTOR	
THIS DOCUMENT IS THE PROPERTY OF IBM ITS USE IS AUTHORIZED ONLY FOR RESPONDING TO A REQUEST FOR QUOTATION OR FOR THE PERFORMANCE OF WORK FOR IBM. ALL QUESTIONS MUST BE REFERRED TO THE IBM PURCHASING DEPARTMENT.				

DATE	EC NO.	PART NO.
07/06/01	VER 2.04A	
DEVELOPMENT NO.		Q/M
		45 / 76



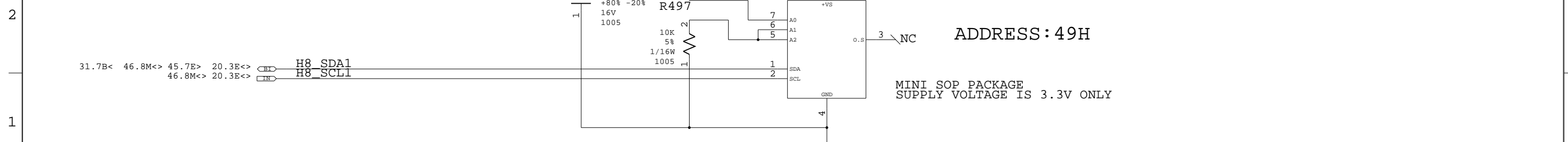
4

3

2

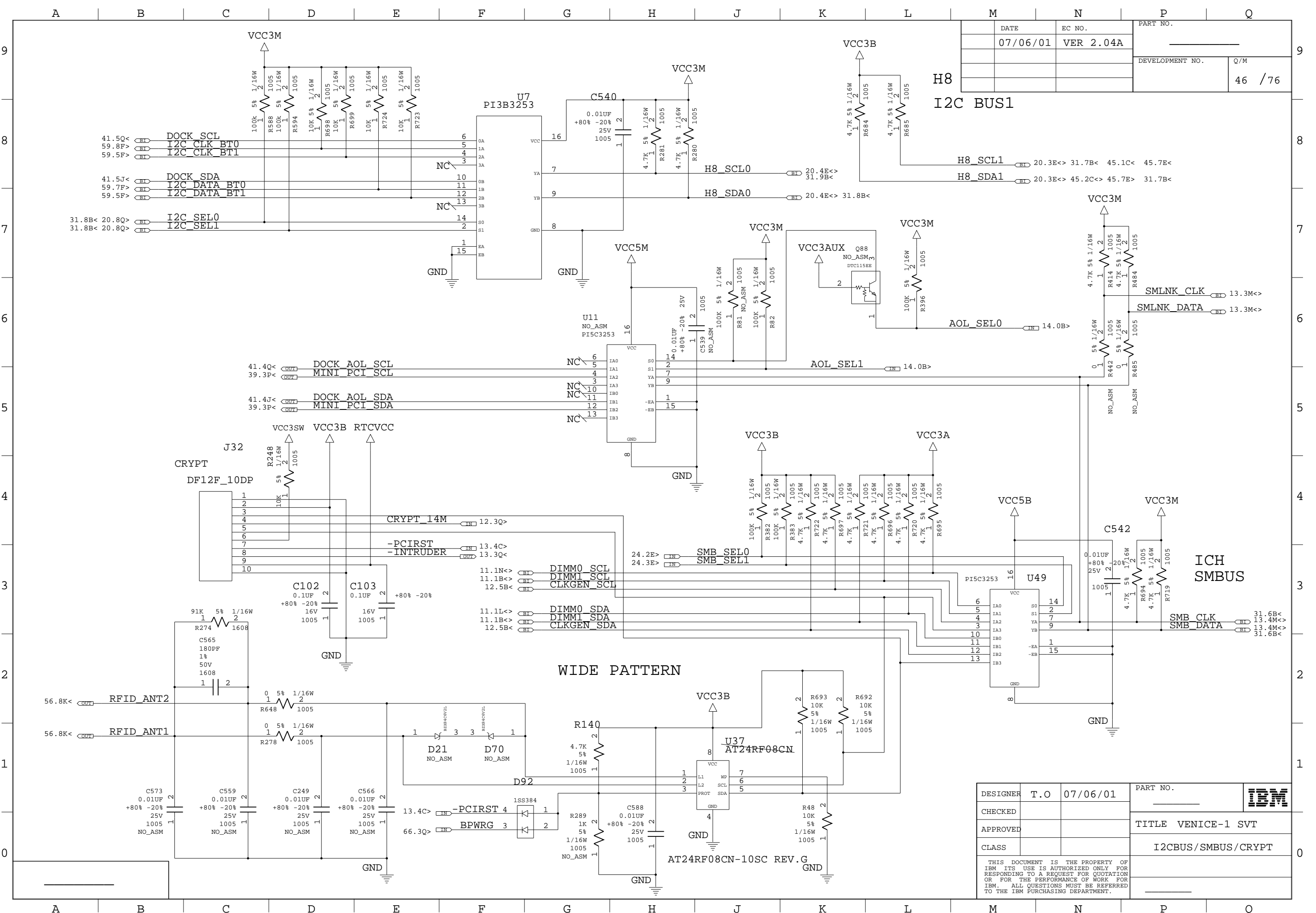
1

0



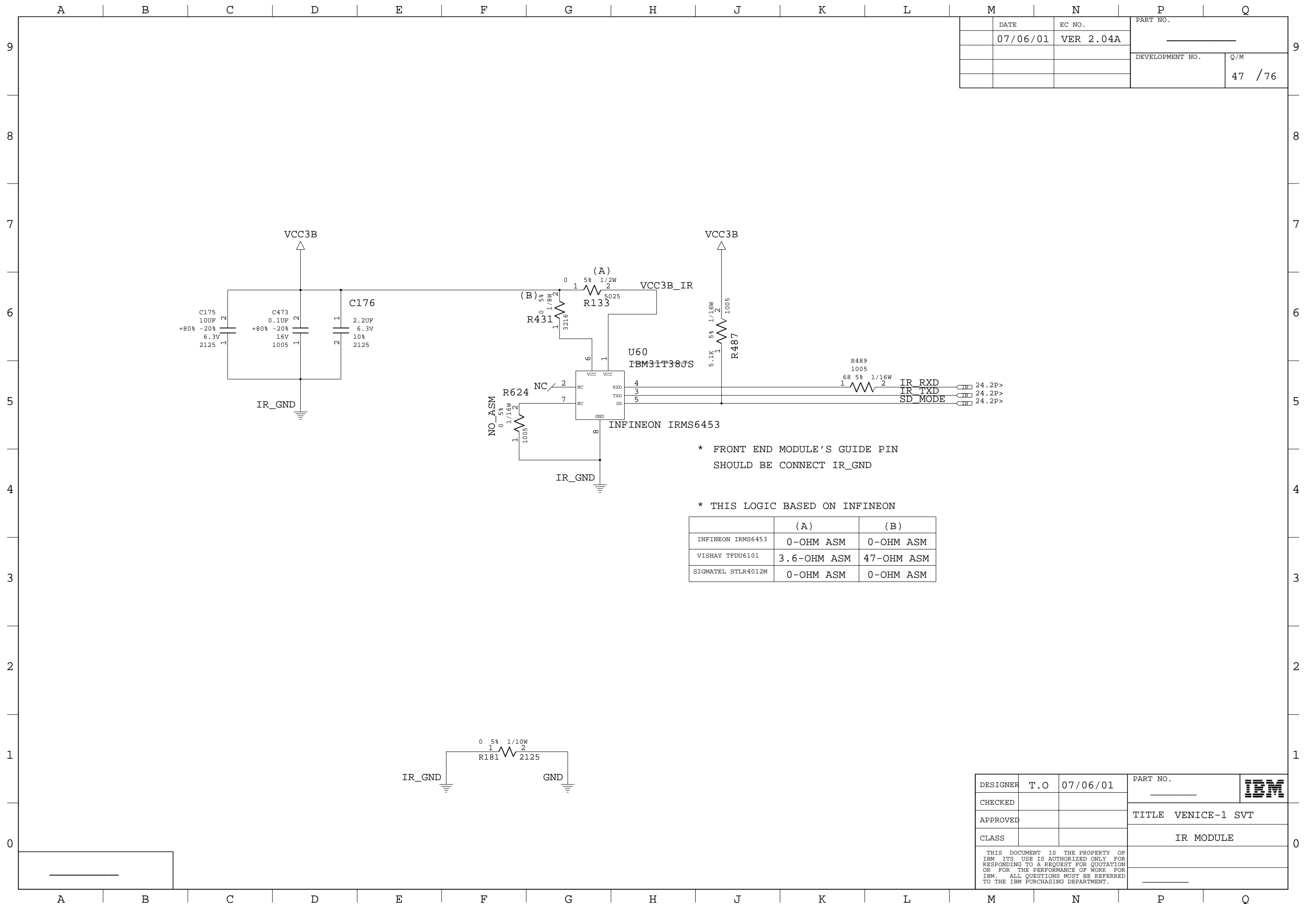
DESIGNER	T.O	07/06/01	PART NO.	
CHECKED				
APPROVED			TITLE VENICE-1 SVT	
CLASS			THERMAL SENSOR	

THIS DOCUMENT IS THE PROPERTY OF IBM ITS USE IS AUTHORIZED ONLY FOR RESPONDING TO A REQUEST FOR QUOTATION OR FOR THE PERFORMANCE OF WORK FOR IBM. ALL QUESTIONS MUST BE REFERRED TO THE IBM PURCHASING DEPARTMENT.



DATE	EC NO.	PART NO.
07/06/01	VER 2.04A	
DEVELOPMENT NO.		Q/M
		46 / 76

DESIGNER	T.O	07/06/01	PART NO.	IBM
CHECKED				
APPROVED			TITLE VENICE-1 SVT	
CLASS			I2CBUS/SMBUS/CRYPT	
THIS DOCUMENT IS THE PROPERTY OF IBM ITS USE IS AUTHORIZED ONLY FOR RESPONDING TO A REQUEST FOR QUOTATION OR FOR THE PERFORMANCE OF WORK FOR IBM. ALL QUESTIONS MUST BE REFERRED TO THE IBM PURCHASING DEPARTMENT.				

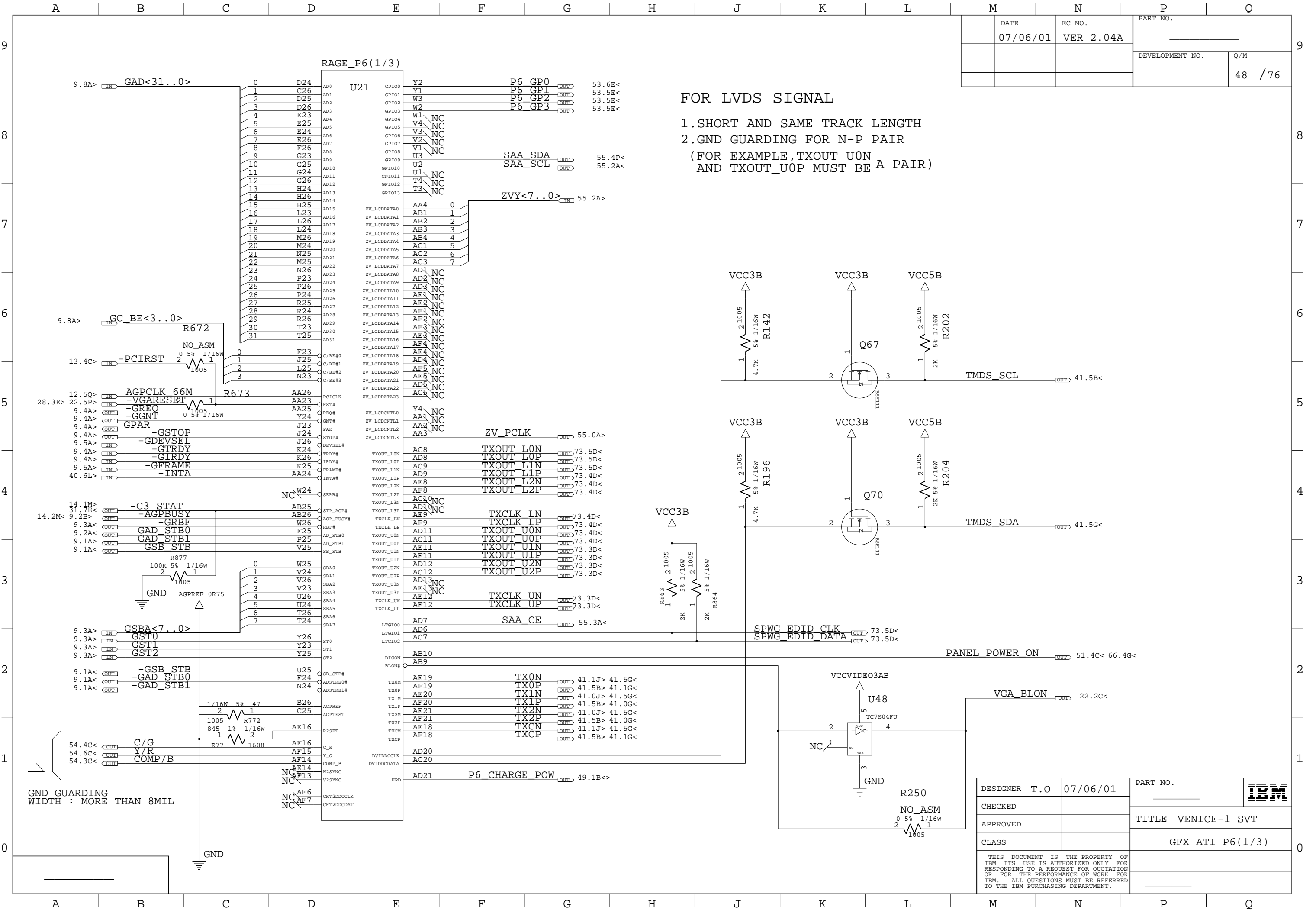


DATE	EC NO.	PART NO.	
07/06/01	VER 2.04A	_____	
		DEVELOPMENT NO.	Q/M
			47 /76

* FRONT END MODULE'S GUIDE PIN SHOULD BE CONNECT IR_GND

* THIS LOGIC BASED ON INFINEON

DESIGNER	T.O	07/06/01	PART NO.	IBM
CHECKED			_____	
APPROVED			TITLE VENICE-1 SVT	
CLASS			IR MODULE	
THIS DOCUMENT IS THE PROPERTY OF IBM ITS USE IS AUTHORIZED ONLY FOR RESPONDING TO A REQUEST FOR QUOTATION OR FOR THE PERFORMANCE OF WORK FOR IBM. ALL QUESTIONS MUST BE REFERRED TO THE IBM PURCHASING DEPARTMENT.				

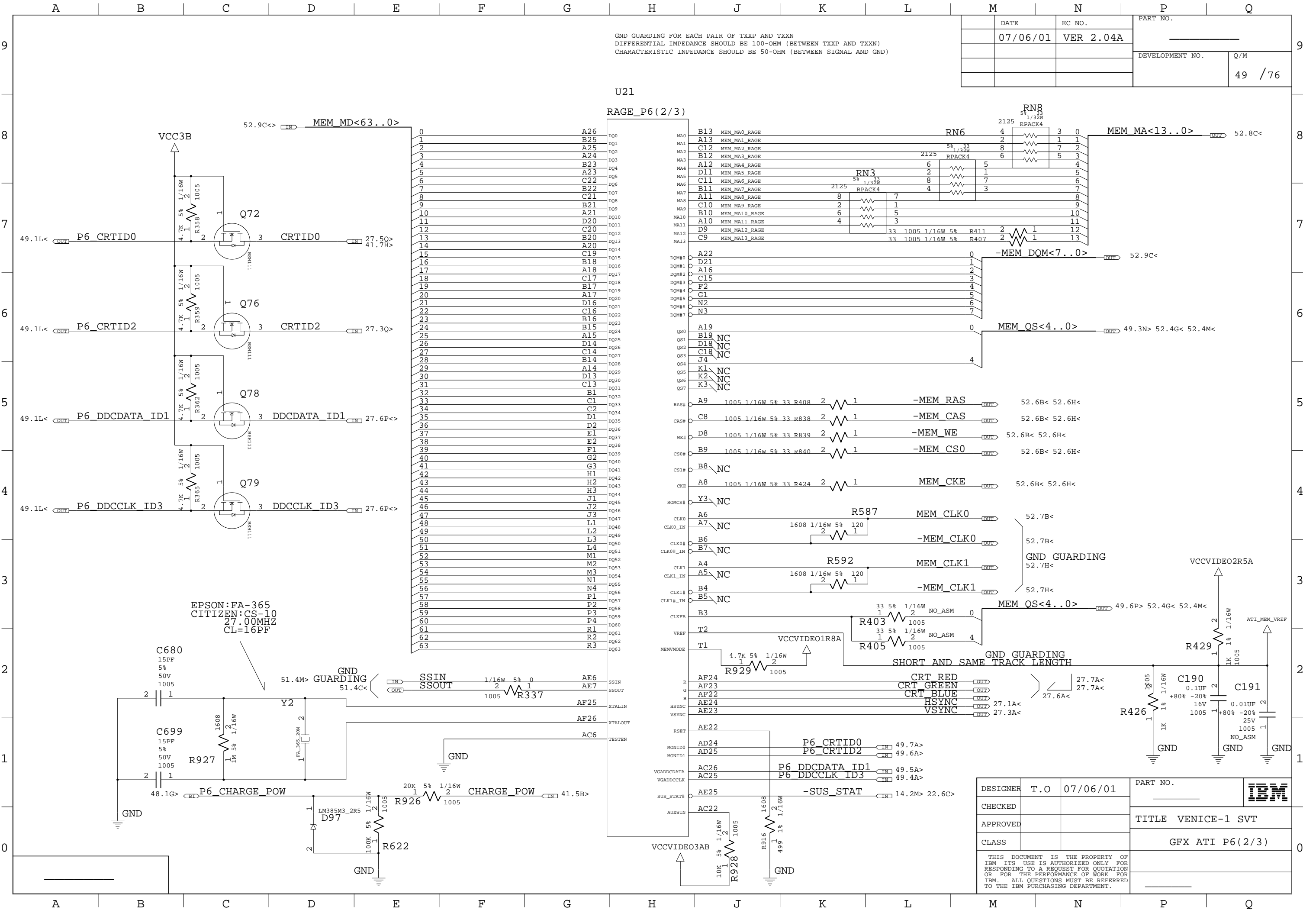


DATE	EC NO.	PART NO.	
07/06/01	VER 2.04A		
		DEVELOPMENT NO.	Q/M
			48 / 76

FOR LVDS SIGNAL
1.SHORT AND SAME TRACK LENGTH
2.GND GUARDING FOR N-P PAIR
(FOR EXAMPLE, TXOUT_U0N
AND TXOUT_U0P MUST BE A PAIR)

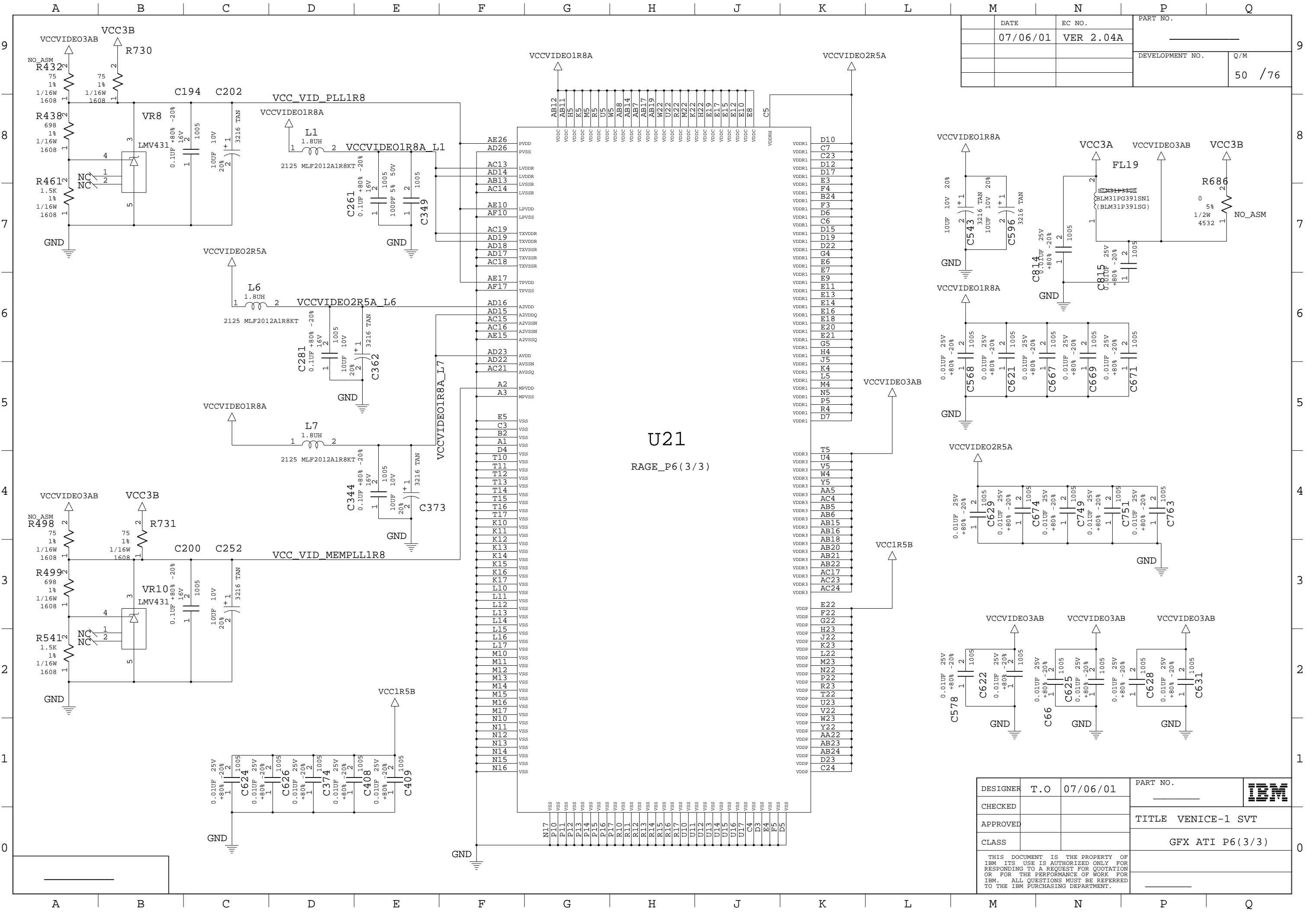
GND GUARDING
WIDTH : MORE THAN 8MIL

DESIGNER	T.O	07/06/01	PART NO.	IBM
CHECKED				
APPROVED			TITLE VENICE-1 SVT	
CLASS			GFX ATI P6(1/3)	
THIS DOCUMENT IS THE PROPERTY OF IBM ITS USE IS AUTHORIZED ONLY FOR RESPONDING TO A REQUEST FOR QUOTATION OR FOR THE PERFORMANCE OF WORK FOR IBM. ALL QUESTIONS MUST BE REFERRED TO THE IBM PURCHASING DEPARTMENT.				



DESIGNER	T.O	DATE	PART NO.
		07/06/01	
CHECKED			
APPROVED			
CLASS			
TITLE			VENICE-1 SVT
CLASS			GFX ATI P6(2/3)

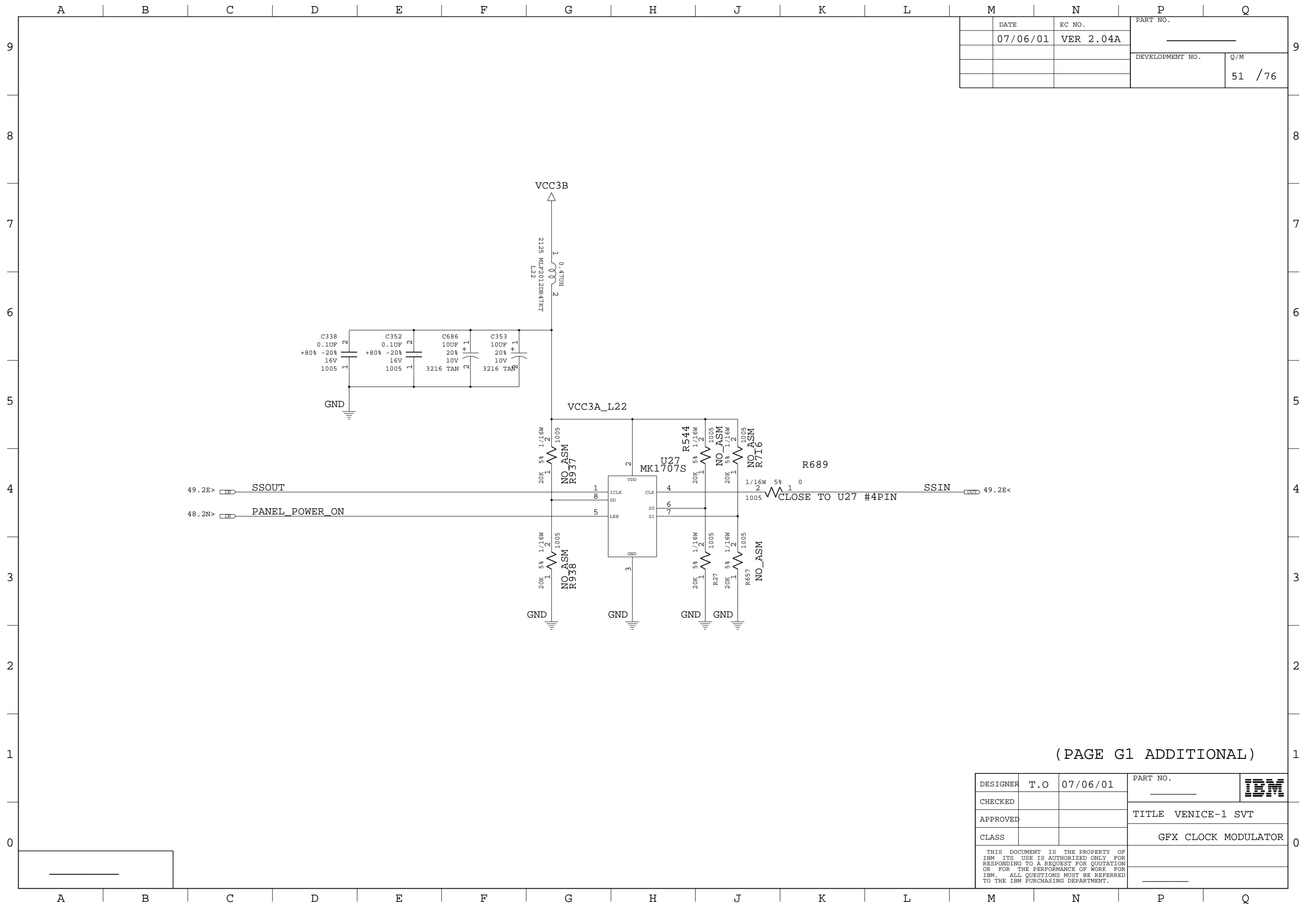
THIS DOCUMENT IS THE PROPERTY OF IBM. ITS USE IS AUTHORIZED ONLY FOR RESPONDING TO A REQUEST FOR QUOTATION OR FOR THE PERFORMANCE OF WORK FOR IBM. ALL QUESTIONS MUST BE REFERRED TO THE IBM PURCHASING DEPARTMENT.



DATE	EC NO.	PART NO.
07/06/01	VER 2.04A	
DEVELOPMENT NO.		Q/M
		50 / 76

U21
RAGE_P6 (3/3)

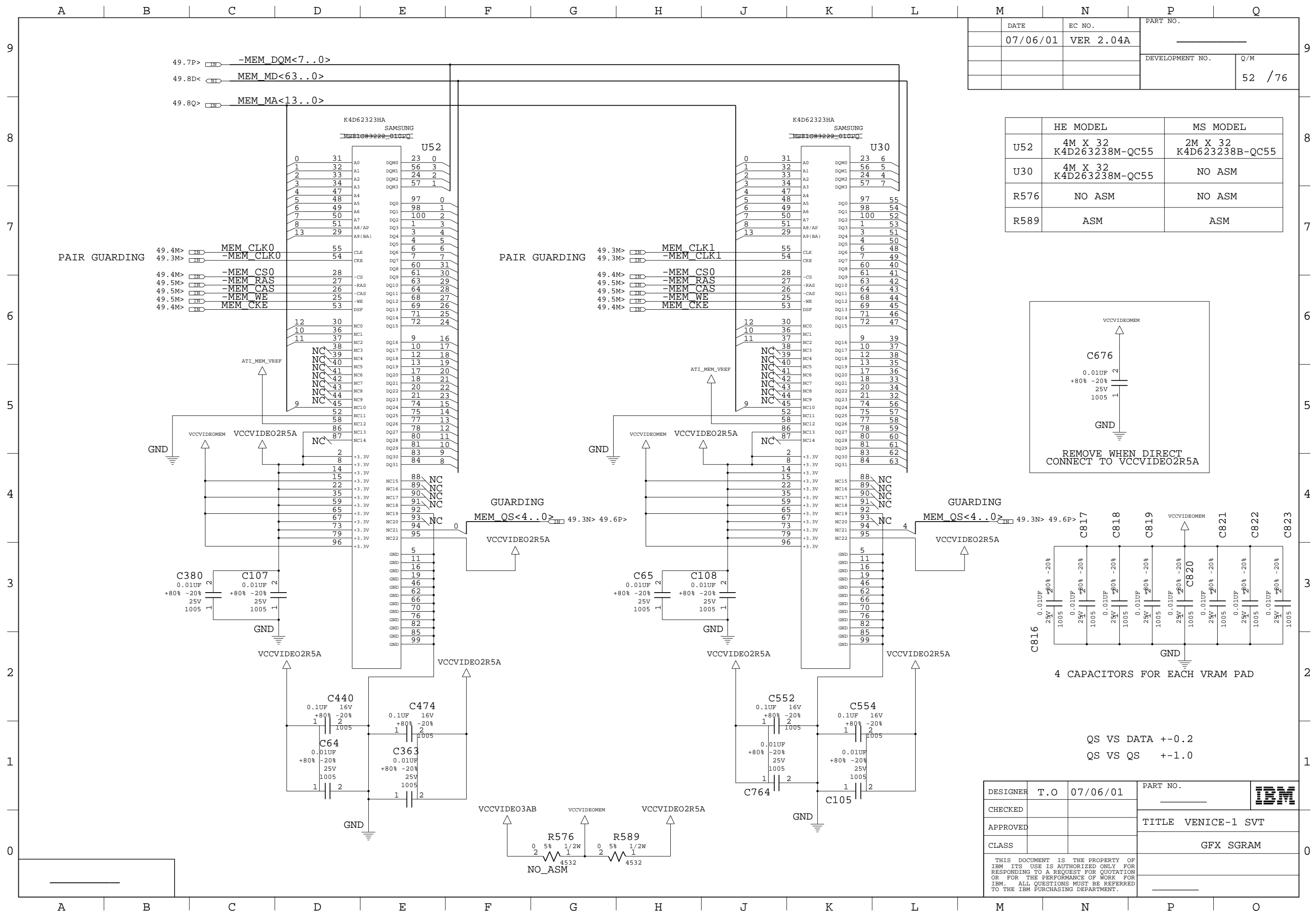
DESIGNER	T.O	07/06/01	PART NO.	IBM
CHECKED				
APPROVED			TITLE VENICE-1 SVT	
CLASS			GFX ATI P6(3/3)	
THIS DOCUMENT IS THE PROPERTY OF IBM. ITS USE IS AUTHORIZED ONLY FOR RESPONDING TO A REQUEST FOR QUOTATION OR FOR THE PERFORMANCE OF WORK FOR IBM. ALL QUESTIONS MUST BE REFERRED TO THE IBM PURCHASING DEPARTMENT.				



DATE	EC NO.	PART NO.	
07/06/01	VER 2.04A		
		DEVELOPMENT NO.	Q/M
			51 / 76

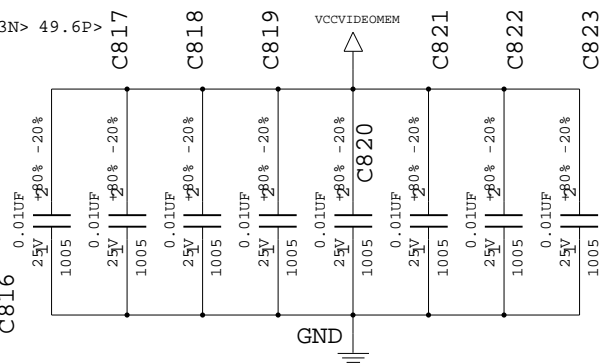
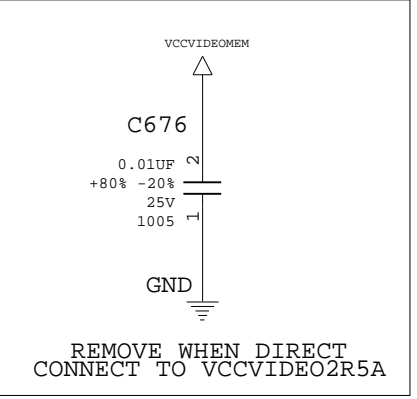
(PAGE G1 ADDITIONAL)

DESIGNER	T.O	07/06/01	PART NO.	IBM
CHECKED				
APPROVED			TITLE VENICE-1 SVT	
CLASS			GFX CLOCK MODULATOR	
THIS DOCUMENT IS THE PROPERTY OF IBM. ITS USE IS AUTHORIZED ONLY FOR RESPONDING TO A REQUEST FOR QUOTATION OR FOR THE PERFORMANCE OF WORK FOR IBM. ALL QUESTIONS MUST BE REFERRED TO THE IBM PURCHASING DEPARTMENT.				



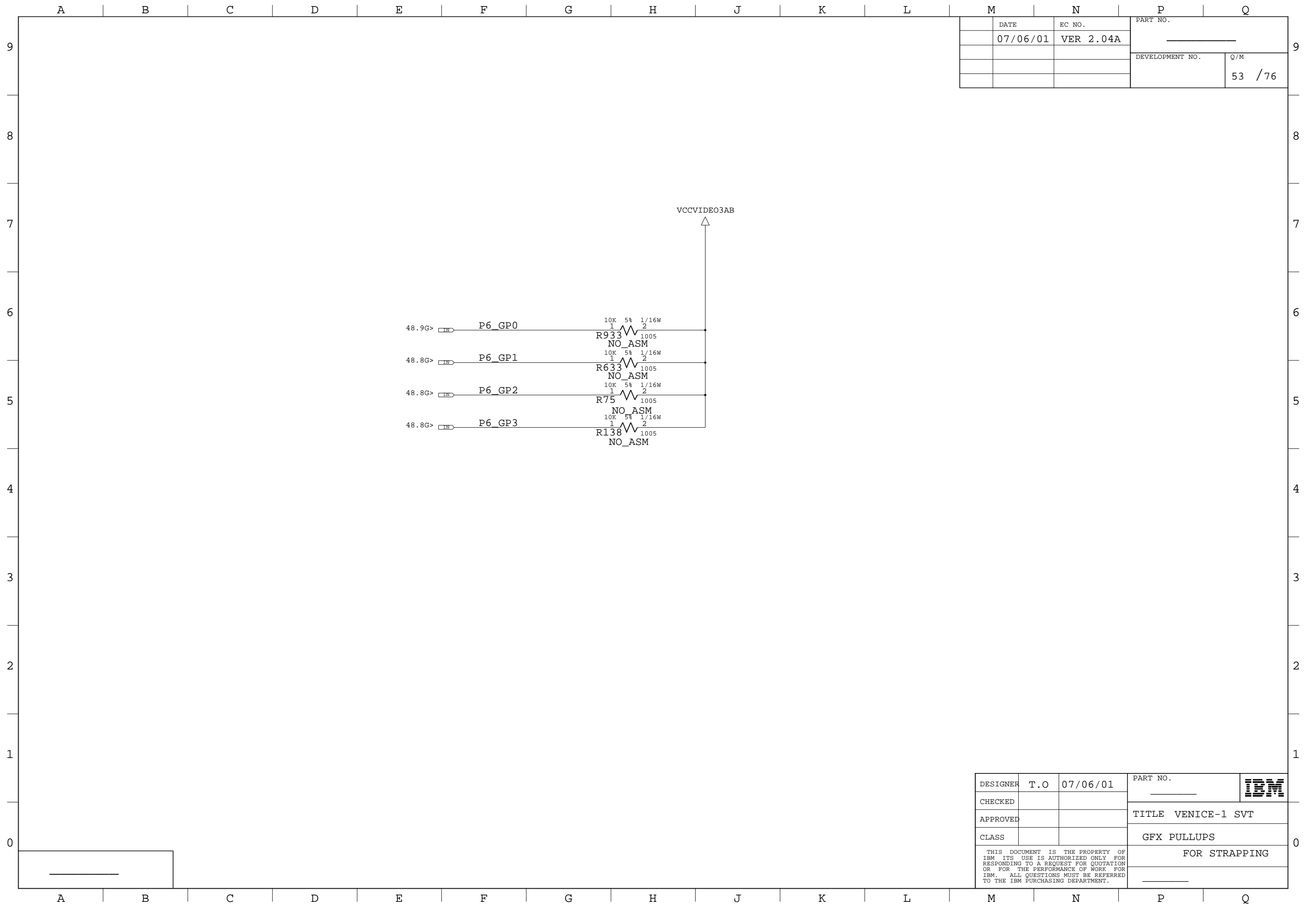
DATE	EC NO.	PART NO.	
07/06/01	VER 2.04A		
		DEVELOPMENT NO.	Q/M
			52 / 76

	HE MODEL	MS MODEL
U52	4M X 32 K4D263238M-QC55	2M X 32 K4D623238B-QC55
U30	4M X 32 K4D263238M-QC55	NO ASM
R576	NO ASM	NO ASM
R589	ASM	ASM



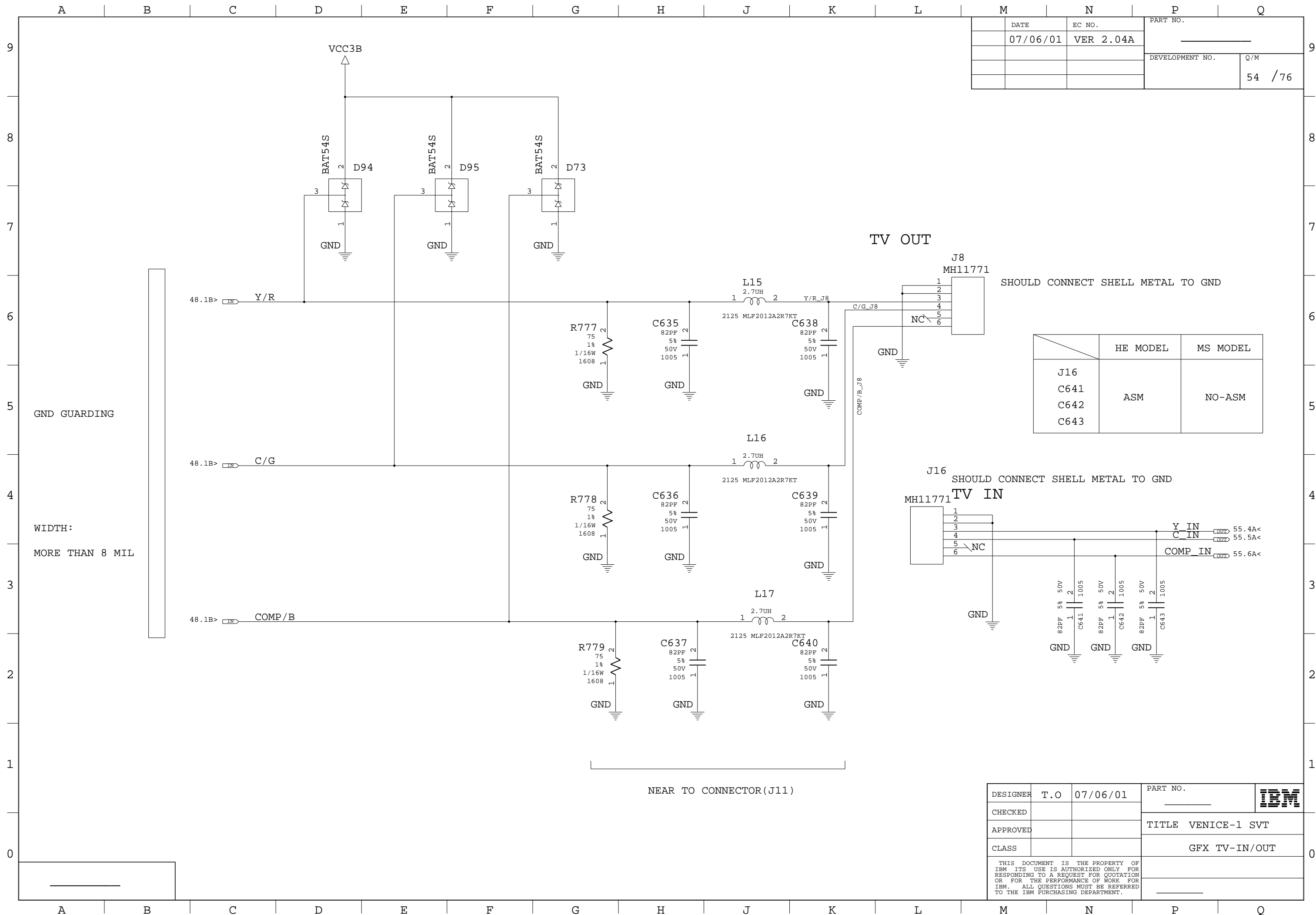
QS VS DATA +-.02
QS VS QS +-.10

DESIGNER	T.O	07/06/01	PART NO.	IBM
CHECKED				
APPROVED			TITLE	VENICE-1 SVT
CLASS				GFX SGRAM
THIS DOCUMENT IS THE PROPERTY OF IBM ITS USE IS AUTHORIZED ONLY FOR RESPONDING TO A REQUEST FOR QUOTATION OR FOR THE PERFORMANCE OF WORK FOR IBM. ALL QUESTIONS MUST BE REFERRED TO THE IBM PURCHASING DEPARTMENT.				



	DATE	EC NO.	PART NO.	
	07/06/01	VER 2.04A		
			DEVELOPMENT NO.	Q/M
				53 /76

DESIGNER	T.O	07/06/01	PART NO.	IBM
CHECKED				
APPROVED			TITLE VENICE-1 SVT	
CLASS			GFX PULLUPS	
THIS DOCUMENT IS THE PROPERTY OF IBM ITS USE IS AUTHORIZED ONLY FOR RESPONDING TO A REQUEST FOR QUOTATION OR FOR THE PERFORMANCE OF WORK FOR IBM. ALL QUESTIONS MUST BE REFERRED TO THE IBM PURCHASING DEPARTMENT.			FOR STRAPPING	



DATE	EC NO.	PART NO.	
07/06/01	VER 2.04A		
		DEVELOPMENT NO.	Q/M
			54 / 76

	HE MODEL	MS MODEL
J16		
C641	ASM	NO-ASM
C642		
C643		

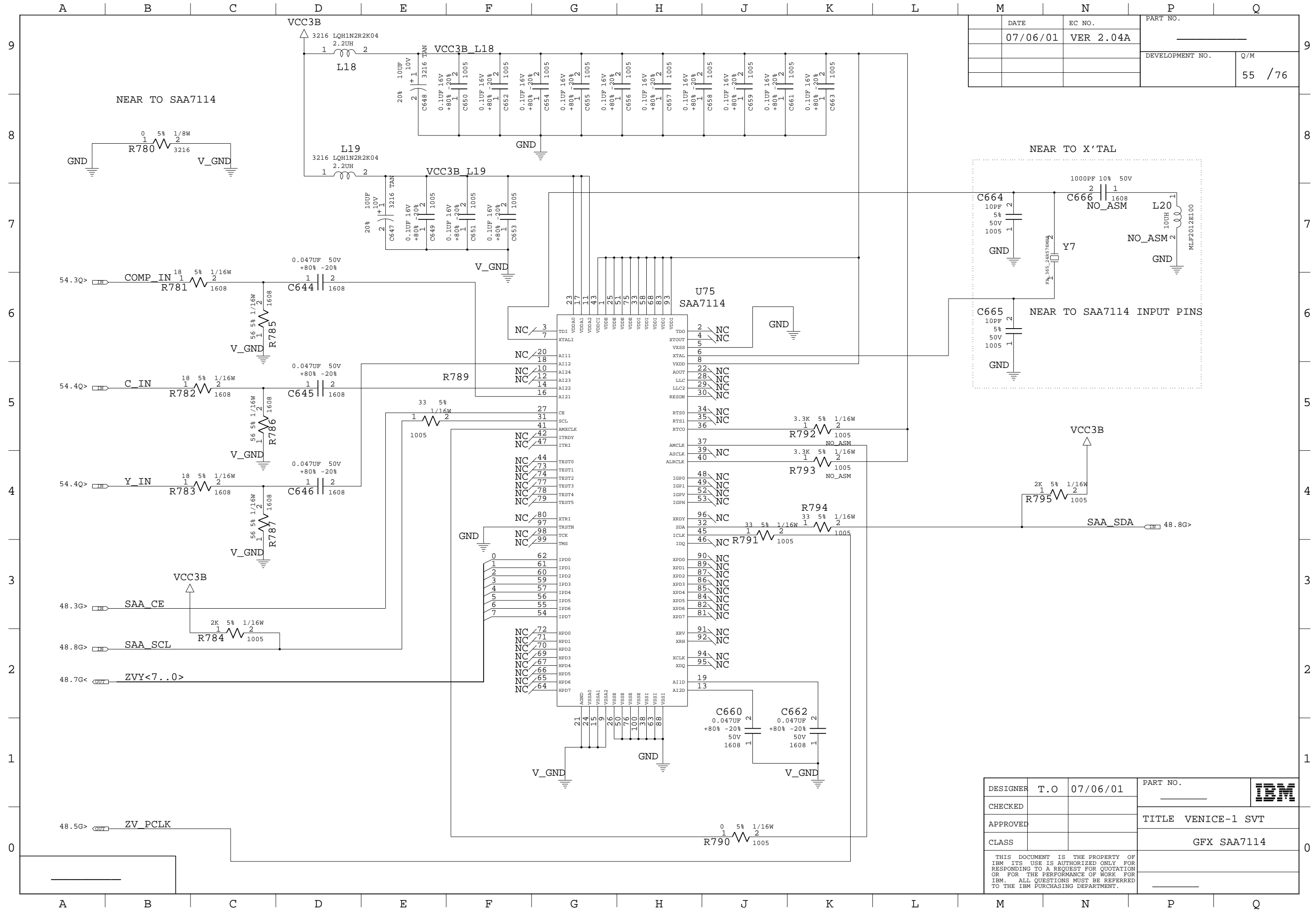
DESIGNER	T.O	07/06/01	PART NO.	IBM
CHECKED				
APPROVED			TITLE VENICE-1 SVT	
CLASS			GFX TV-IN/OUT	
THIS DOCUMENT IS THE PROPERTY OF IBM ITS USE IS AUTHORIZED ONLY FOR RESPONDING TO A REQUEST FOR QUOTATION OR FOR THE PERFORMANCE OF WORK FOR IBM. ALL QUESTIONS MUST BE REFERRED TO THE IBM PURCHASING DEPARTMENT.				

GND GUARDING
WIDTH:
MORE THAN 8 MIL

SHOULD CONNECT SHELL METAL TO GND

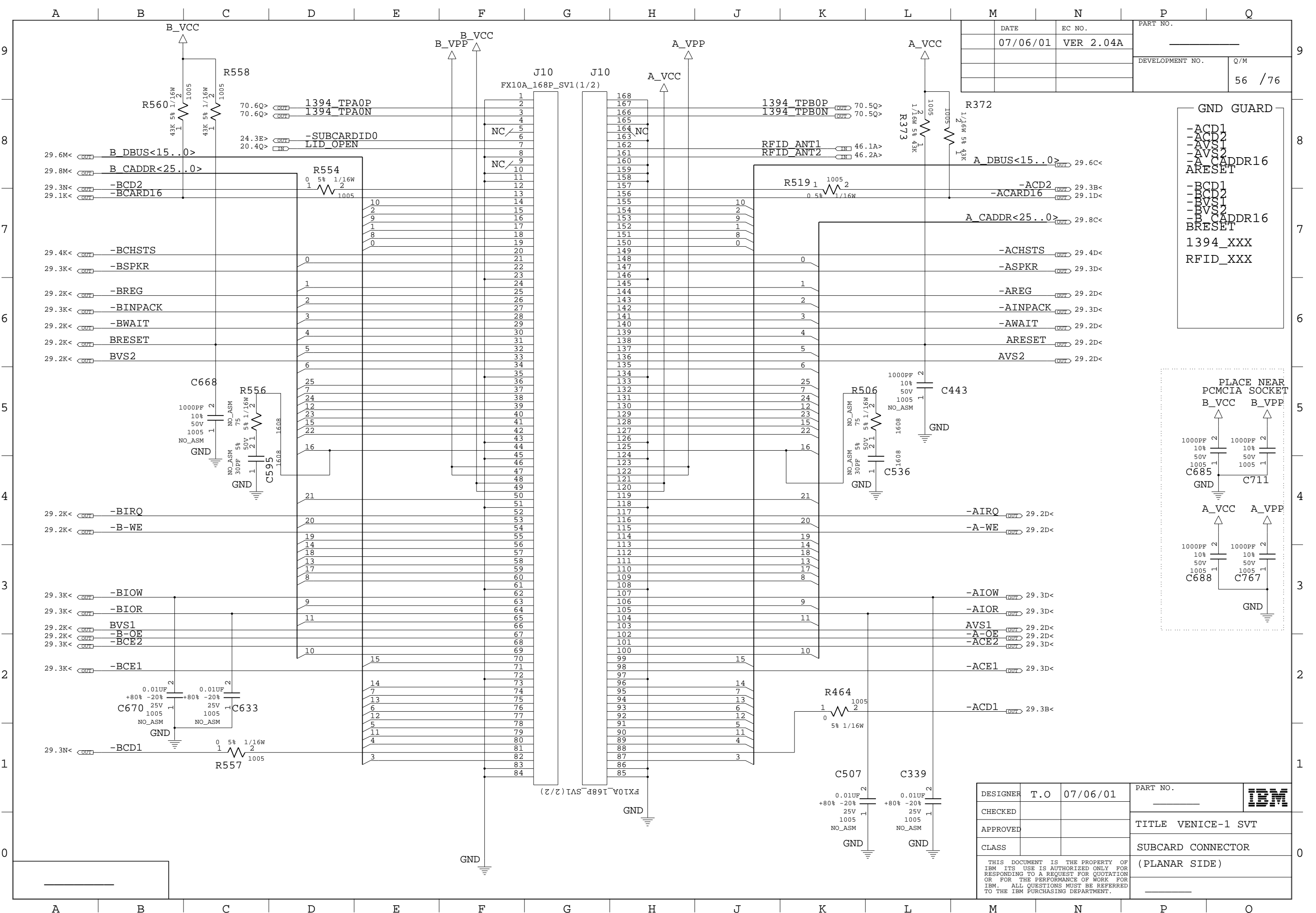
SHOULD CONNECT SHELL METAL TO GND

NEAR TO CONNECTOR(J11)



DATE	EC NO.	PART NO.
07/06/01	VER 2.04A	
DEVELOPMENT NO.		Q/M
		55 / 76

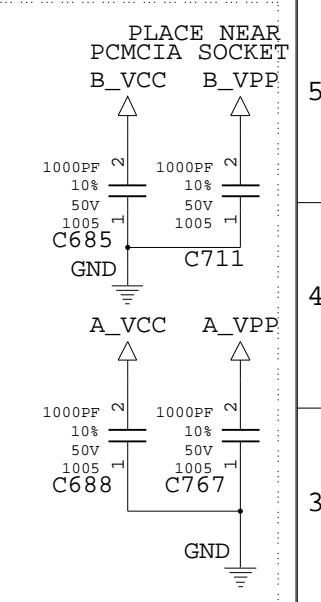
DESIGNER	T.O	07/06/01	PART NO.	IBM
CHECKED			TITLE VENICE-1 SVT	
APPROVED			GFX SAA7114	
CLASS				
THIS DOCUMENT IS THE PROPERTY OF IBM ITS USE IS AUTHORIZED ONLY FOR RESPONDING TO A REQUEST FOR QUOTATION OR FOR THE PERFORMANCE OF WORK FOR IBM. ALL QUESTIONS MUST BE REFERRED TO THE IBM PURCHASING DEPARTMENT.				



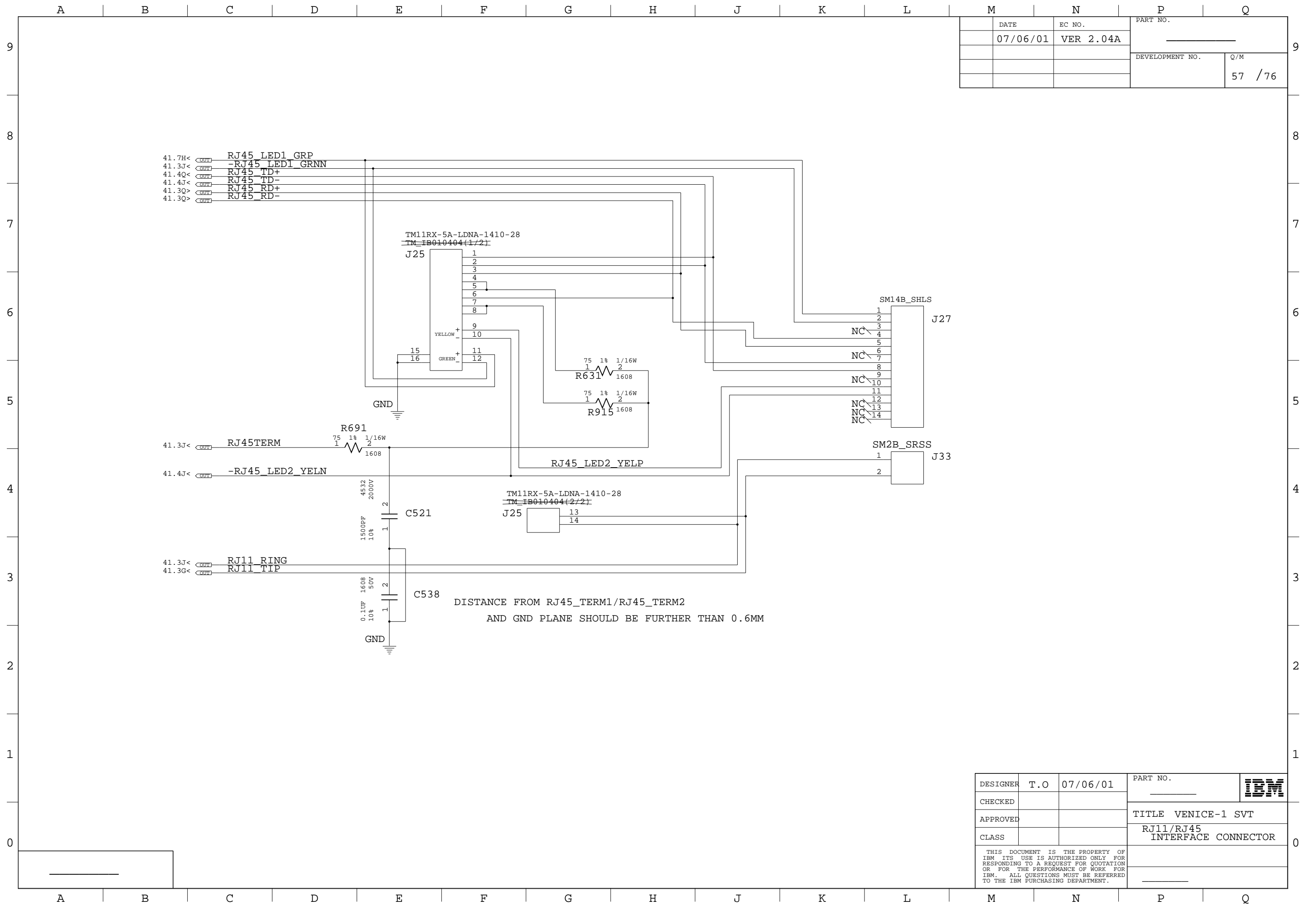
DATE	EC NO.	PART NO.
07/06/01	VER 2.04A	
DEVELOPMENT NO.		Q/M
		56 / 76

GND GUARD

-ACD1
-ACD2
-AVS1
-AVS2
-A_CADDR16
ARESET
-BCD1
-BCD2
-BVS1
-BVS2
-B_CADDR16
BRESET
1394_XXX
RFID_XXX

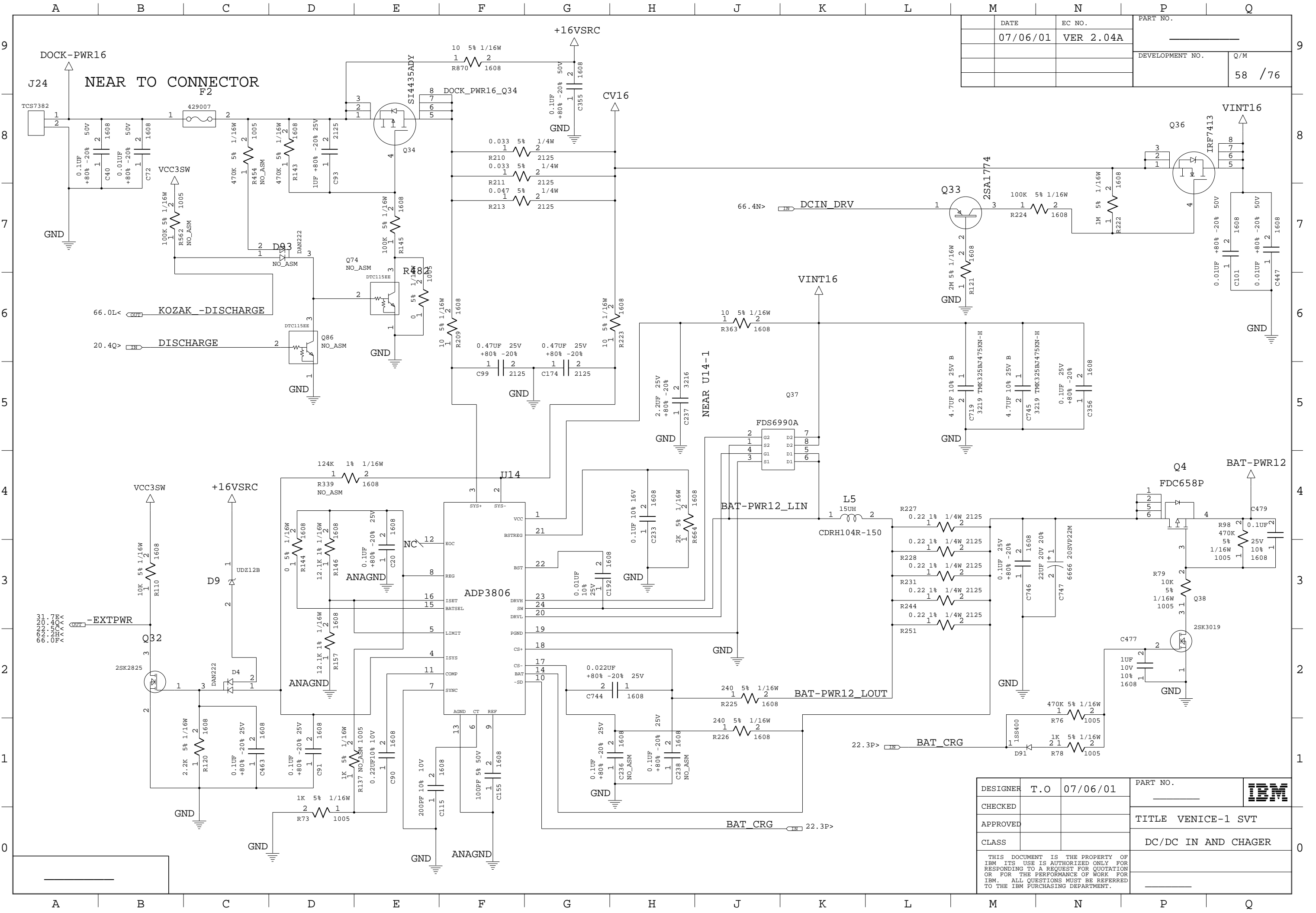


DESIGNER	T.O	07/06/01	PART NO.	IBM
CHECKED				
APPROVED			TITLE	VENICE-1 SVT
CLASS			SUBCARD CONNECTOR	
THIS DOCUMENT IS THE PROPERTY OF IBM. ITS USE IS AUTHORIZED ONLY FOR RESPONDING TO A REQUEST FOR QUOTATION OR FOR THE PERFORMANCE OF WORK FOR IBM. ALL QUESTIONS MUST BE REFERRED TO THE IBM PURCHASING DEPARTMENT.				(PLANAR SIDE)



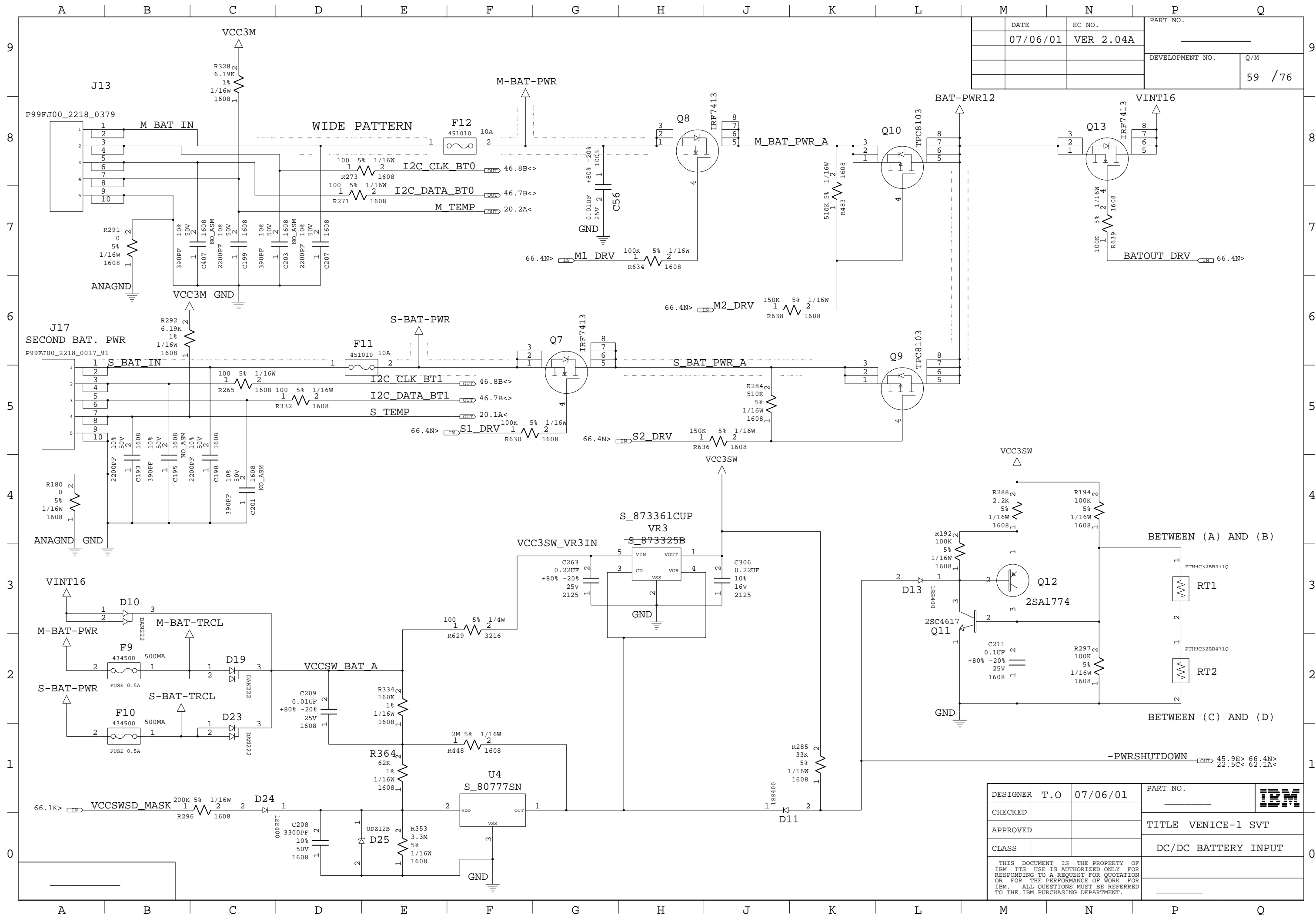
DATE	EC NO.	PART NO.	
07/06/01	VER 2.04A		
		DEVELOPMENT NO.	Q/M
			57 /76

DESIGNER	T.O	07/06/01	PART NO.	
CHECKED				
APPROVED			TITLE VENICE-1 SVT	
CLASS			RJ11/RJ45 INTERFACE CONNECTOR	
THIS DOCUMENT IS THE PROPERTY OF IBM ITS USE IS AUTHORIZED ONLY FOR RESPONDING TO A REQUEST FOR QUOTATION OR FOR THE PERFORMANCE OF WORK FOR IBM. ALL QUESTIONS MUST BE REFERRED TO THE IBM PURCHASING DEPARTMENT.				



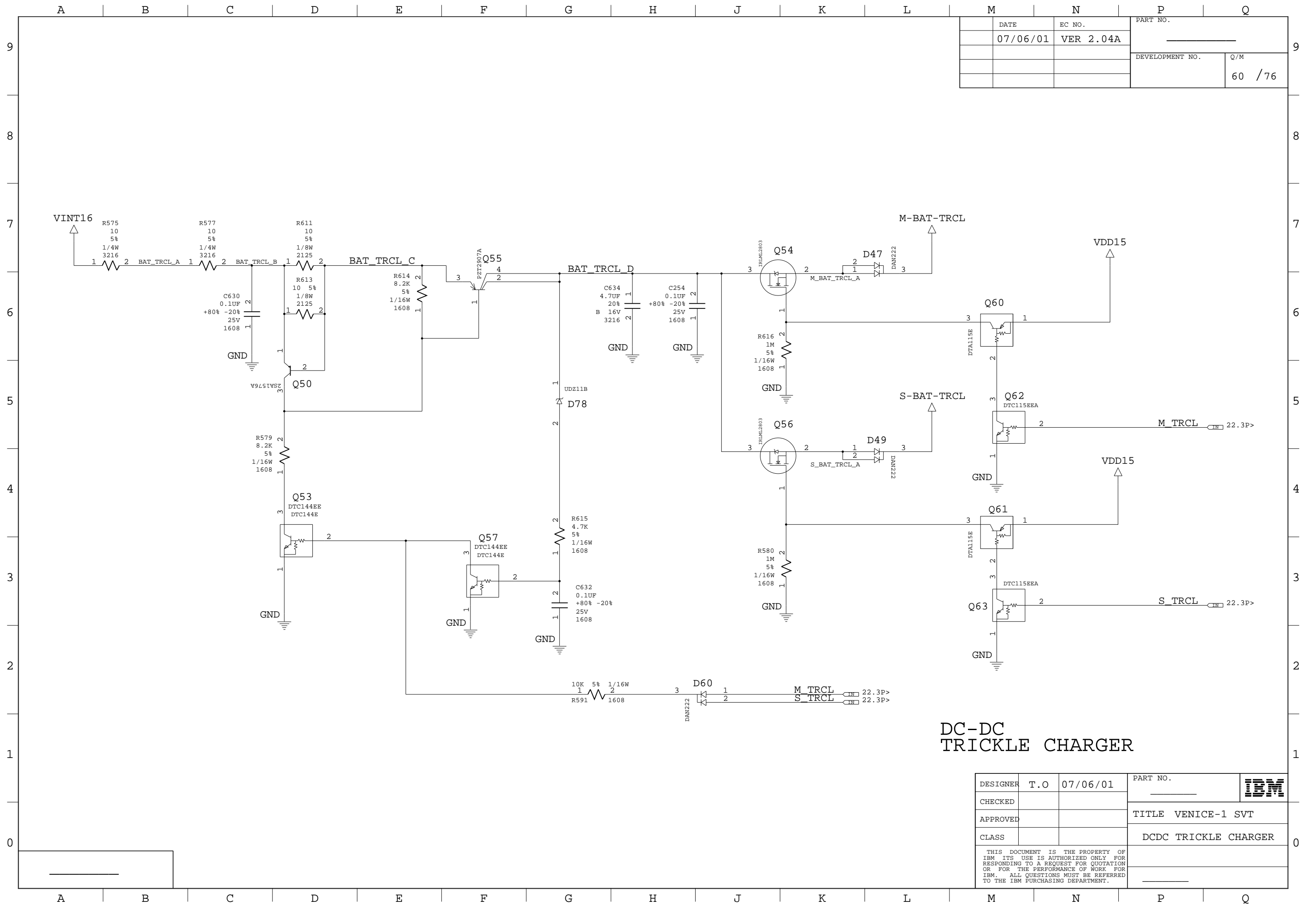
DATE	EC NO.	PART NO.
07/06/01	VER 2.04A	
DEVELOPMENT NO.		Q/M
		58 / 76

DESIGNER	T.O	07/06/01	PART NO.	IBM
CHECKED				
APPROVED			TITLE VENICE-1 SVT	
CLASS			DC/DC IN AND CHAGER	
THIS DOCUMENT IS THE PROPERTY OF IBM ITS USE IS AUTHORIZED ONLY FOR RESPONDING TO A REQUEST FOR QUOTATION OR FOR THE PERFORMANCE OF WORK FOR IBM. ALL QUESTIONS MUST BE REFERRED TO THE IBM PURCHASING DEPARTMENT.				



DATE	EC NO.	PART NO.
07/06/01	VER 2.04A	
DEVELOPMENT NO.		Q/M
		59 / 76

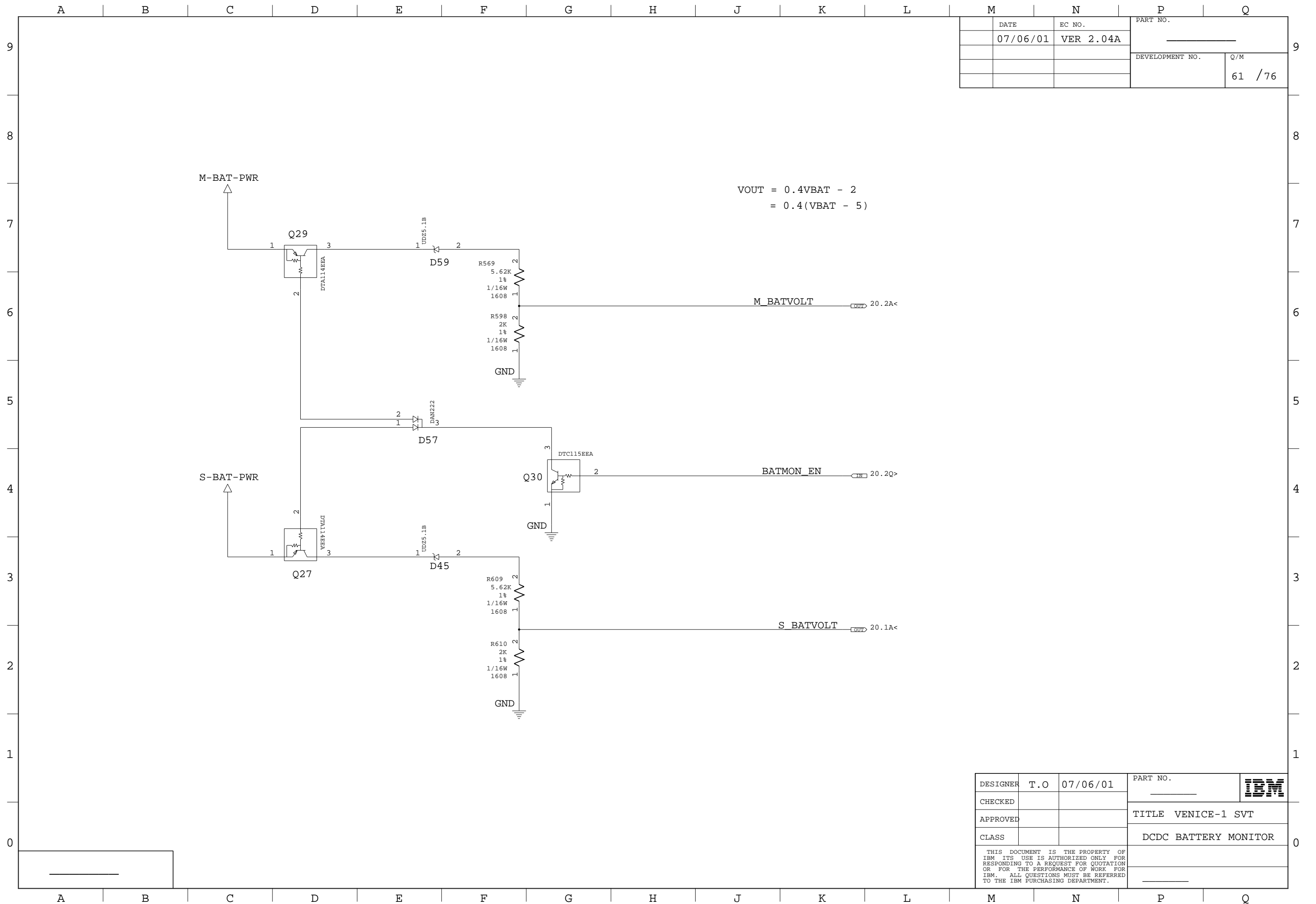
DESIGNER	T.O	07/06/01	PART NO.	IBM
CHECKED				
APPROVED			TITLE VENICE-1 SVT	
CLASS			DC/DC BATTERY INPUT	
THIS DOCUMENT IS THE PROPERTY OF IBM ITS USE IS AUTHORIZED ONLY FOR RESPONDING TO A REQUEST FOR QUOTATION OR FOR THE PERFORMANCE OF WORK FOR IBM. ALL QUESTIONS MUST BE REFERRED TO THE IBM PURCHASING DEPARTMENT.				



DATE	EC NO.	PART NO.	
07/06/01	VER 2.04A		
		DEVELOPMENT NO.	Q/M
			60 /76

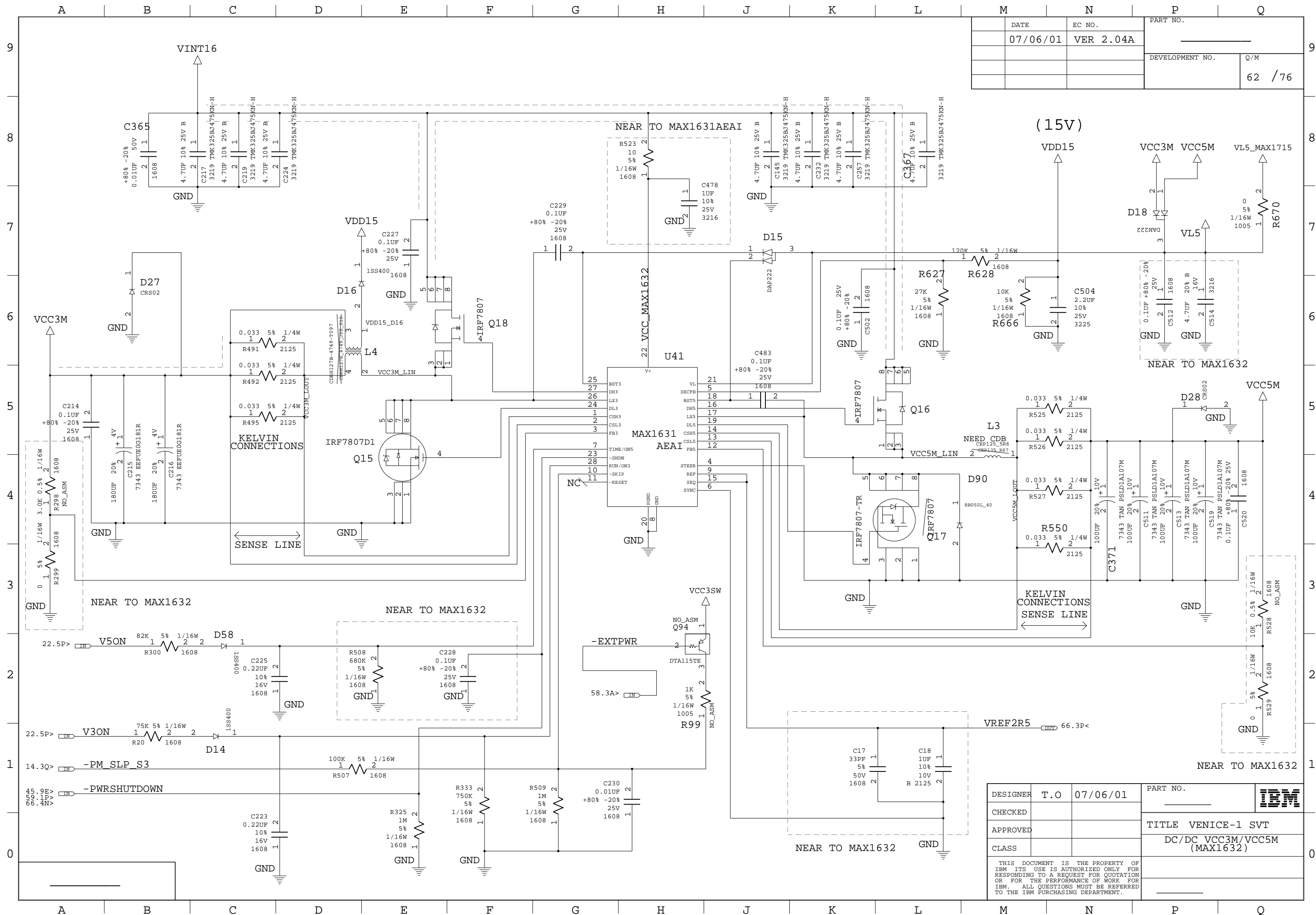
DC-DC TRICKLE CHARGER

DESIGNER	T.O	07/06/01	PART NO.	IBM
CHECKED				
APPROVED			TITLE VENICE-1 SVT	
CLASS			DCDC TRICKLE CHARGER	
THIS DOCUMENT IS THE PROPERTY OF IBM ITS USE IS AUTHORIZED ONLY FOR RESPONDING TO A REQUEST FOR QUOTATION OR FOR THE PERFORMANCE OF WORK FOR IBM. ALL QUESTIONS MUST BE REFERRED TO THE IBM PURCHASING DEPARTMENT.				



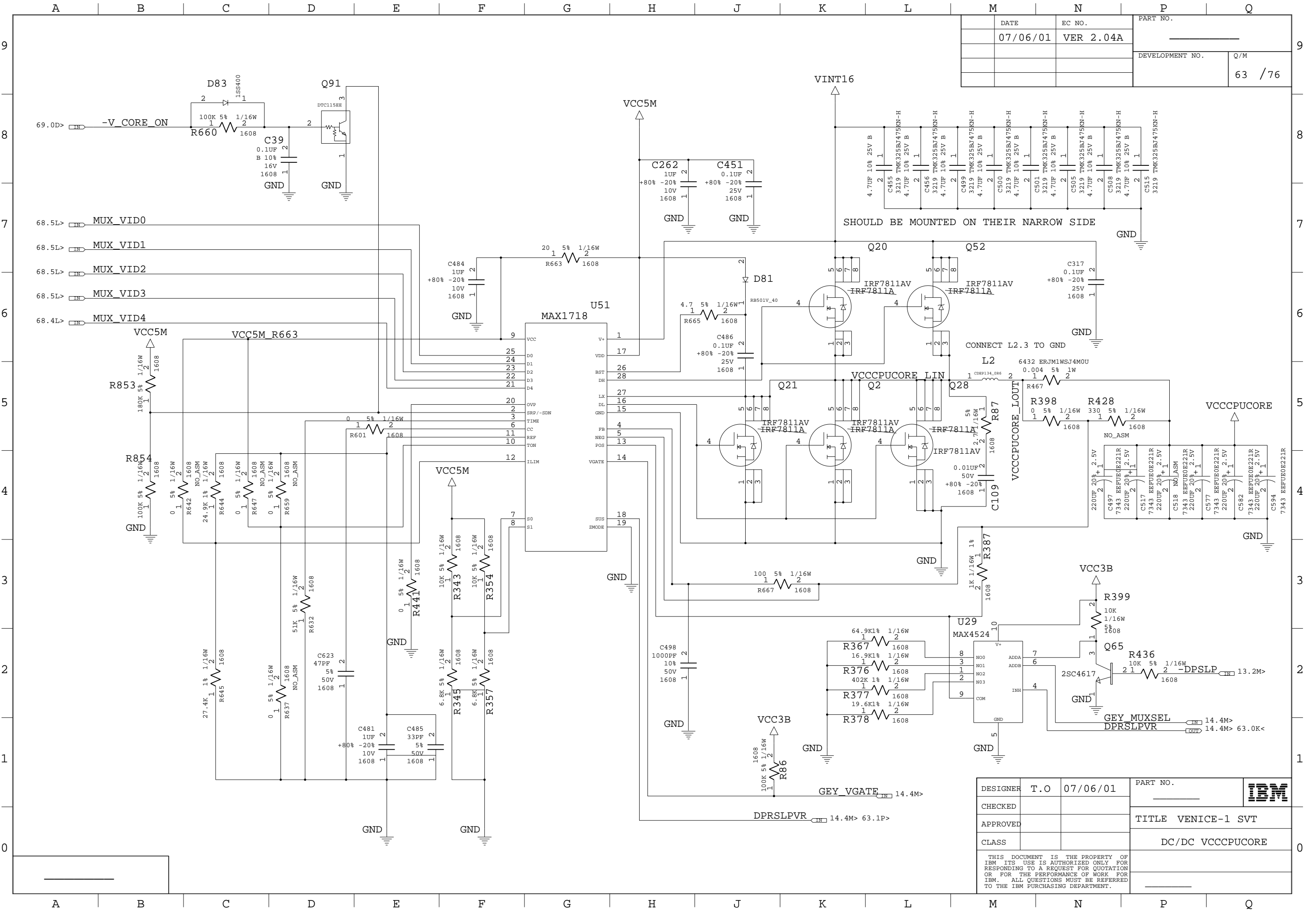
DATE	EC NO.	PART NO.	
07/06/01	VER 2.04A		
		DEVELOPMENT NO.	Q/M
			61 /76

DESIGNER	T.O	07/06/01	PART NO.	IBM
CHECKED				
APPROVED			TITLE VENICE-1 SVT	
CLASS			DCDC BATTERY MONITOR	
THIS DOCUMENT IS THE PROPERTY OF IBM ITS USE IS AUTHORIZED ONLY FOR RESPONDING TO A REQUEST FOR QUOTATION OR FOR THE PERFORMANCE OF WORK FOR IBM. ALL QUESTIONS MUST BE REFERRED TO THE IBM PURCHASING DEPARTMENT.				



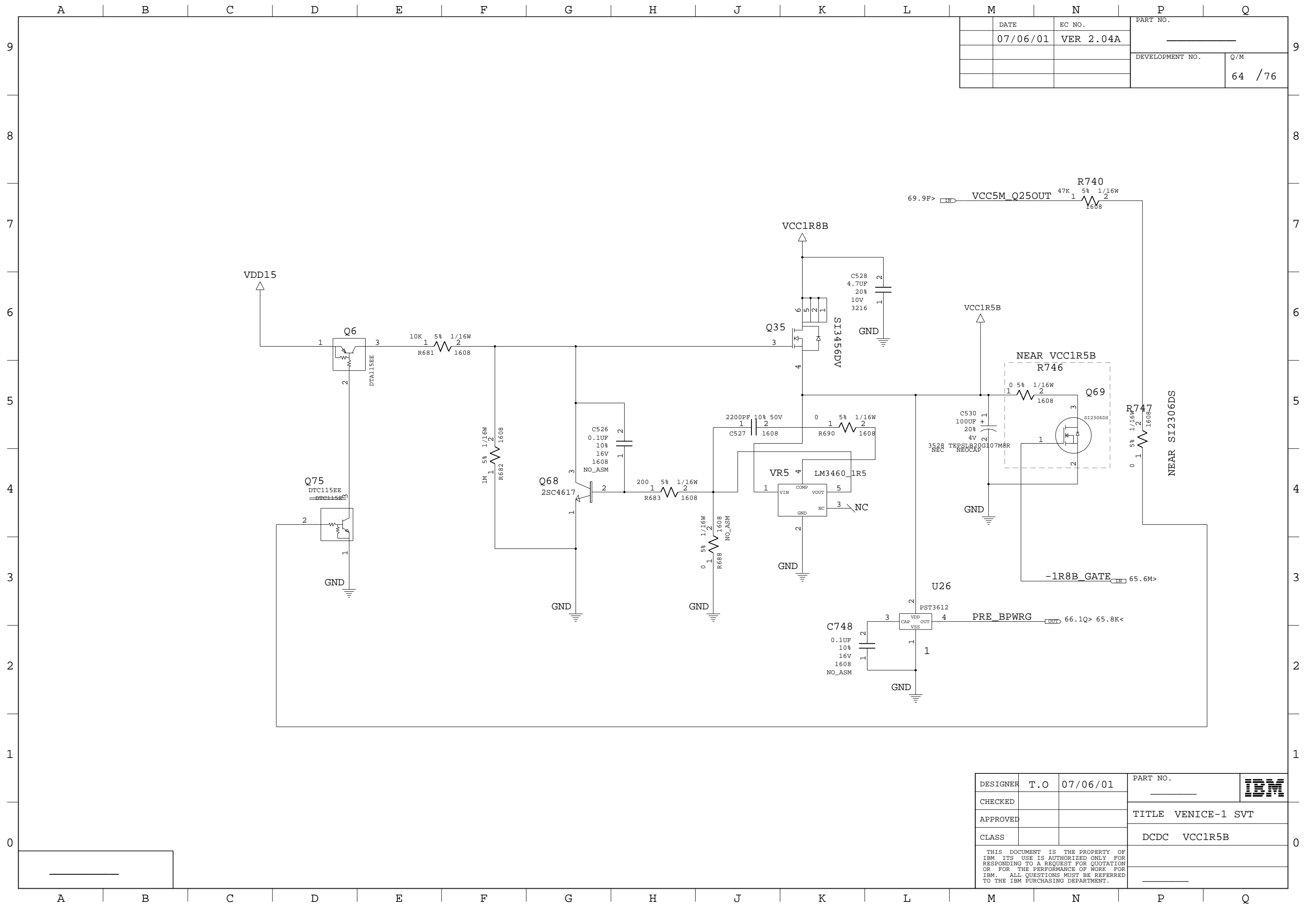
DATE	EC NO.	PART NO.
07/06/01	VER 2.04A	
DEVELOPMENT NO.		Q/M
		62 / 76

DESIGNER	T.O	07/06/01	PART NO.	
CHECKED				
APPROVED			TITLE VENICE-1 SVT	
CLASS			DC/DC VCC3M/VCC5M (MAX1632)	
THIS DOCUMENT IS THE PROPERTY OF IBM ITS USE IS AUTHORIZED ONLY FOR RESPONDING TO A REQUEST FOR QUOTATION OR FOR THE PERFORMANCE OF WORK FOR IBM. ALL QUESTIONS MUST BE REFERRED TO THE IBM PURCHASING DEPARTMENT.				



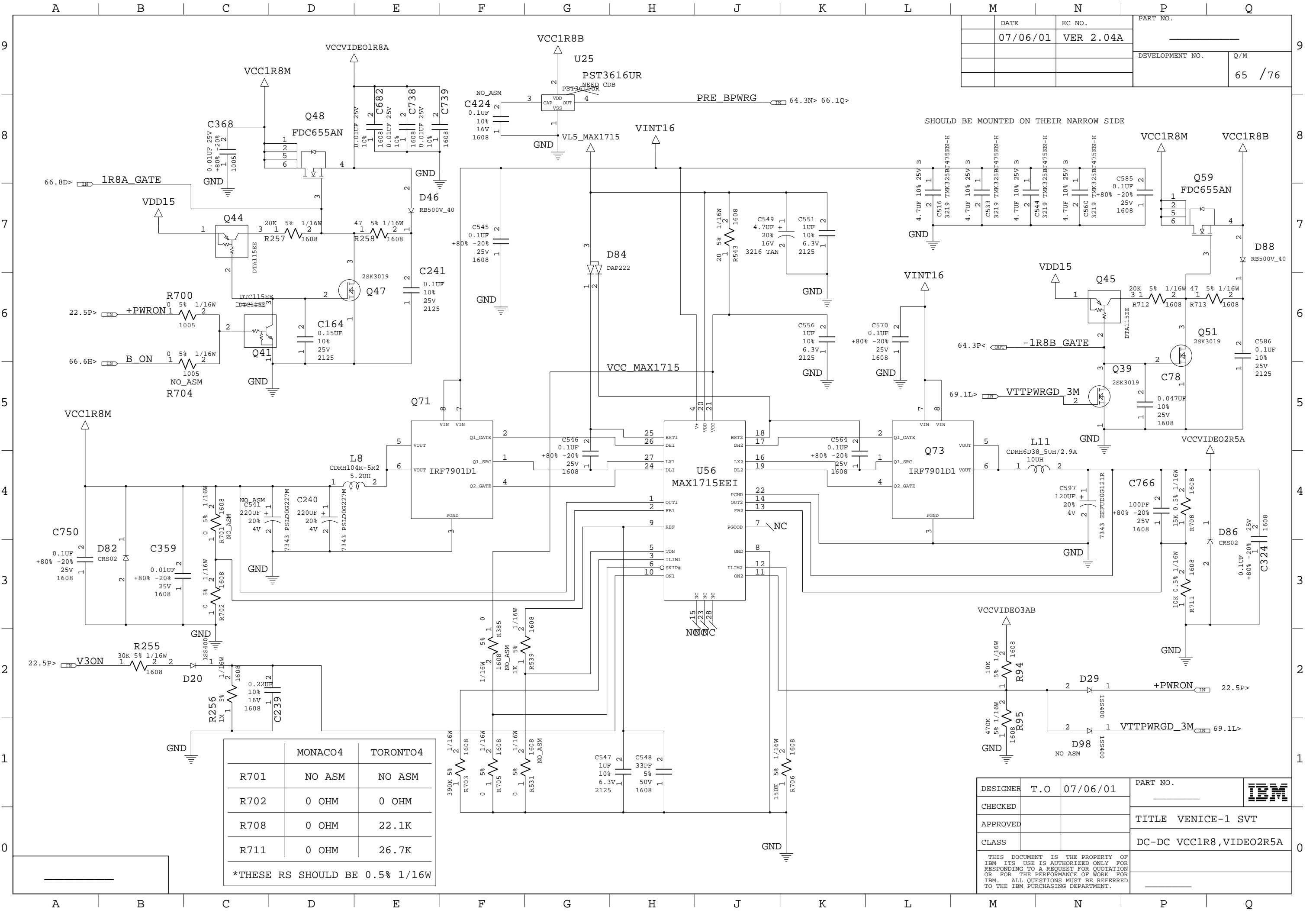
DATE	EC NO.	PART NO.
07/06/01	VER 2.04A	
DEVELOPMENT NO.		Q/M
		63 / 76

DESIGNER	T.O	07/06/01	PART NO.	IBM
CHECKED				
APPROVED			TITLE VENICE-1 SVT	
CLASS			DC/DC VCCPUCORE	
THIS DOCUMENT IS THE PROPERTY OF IBM. ITS USE IS AUTHORIZED ONLY FOR RESPONDING TO A REQUEST FOR QUOTATION OR FOR THE PERFORMANCE OF WORK FOR IBM. ALL QUESTIONS MUST BE REFERRED TO THE IBM PURCHASING DEPARTMENT.				



DATE	EC NO.	PART NO.	
07/06/01	VER 2.04A		
		DEVELOPMENT NO.	Q/M
		64	/76

DESIGNER	T.O	07/06/01	PART NO.	IBM
CHECKED				
APPROVED			TITLE VENICE-1 SVT	
CLASS			DCDC VCC1R5B	
THIS DOCUMENT IS THE PROPERTY OF IBM ITS USE IS AUTHORIZED ONLY FOR RESPONDING TO A REQUEST FOR QUOTATION OR FOR THE PERFORMANCE OF WORK FOR IBM. ALL QUESTIONS MUST BE REFERRED TO THE IBM PURCHASING DEPARTMENT.				

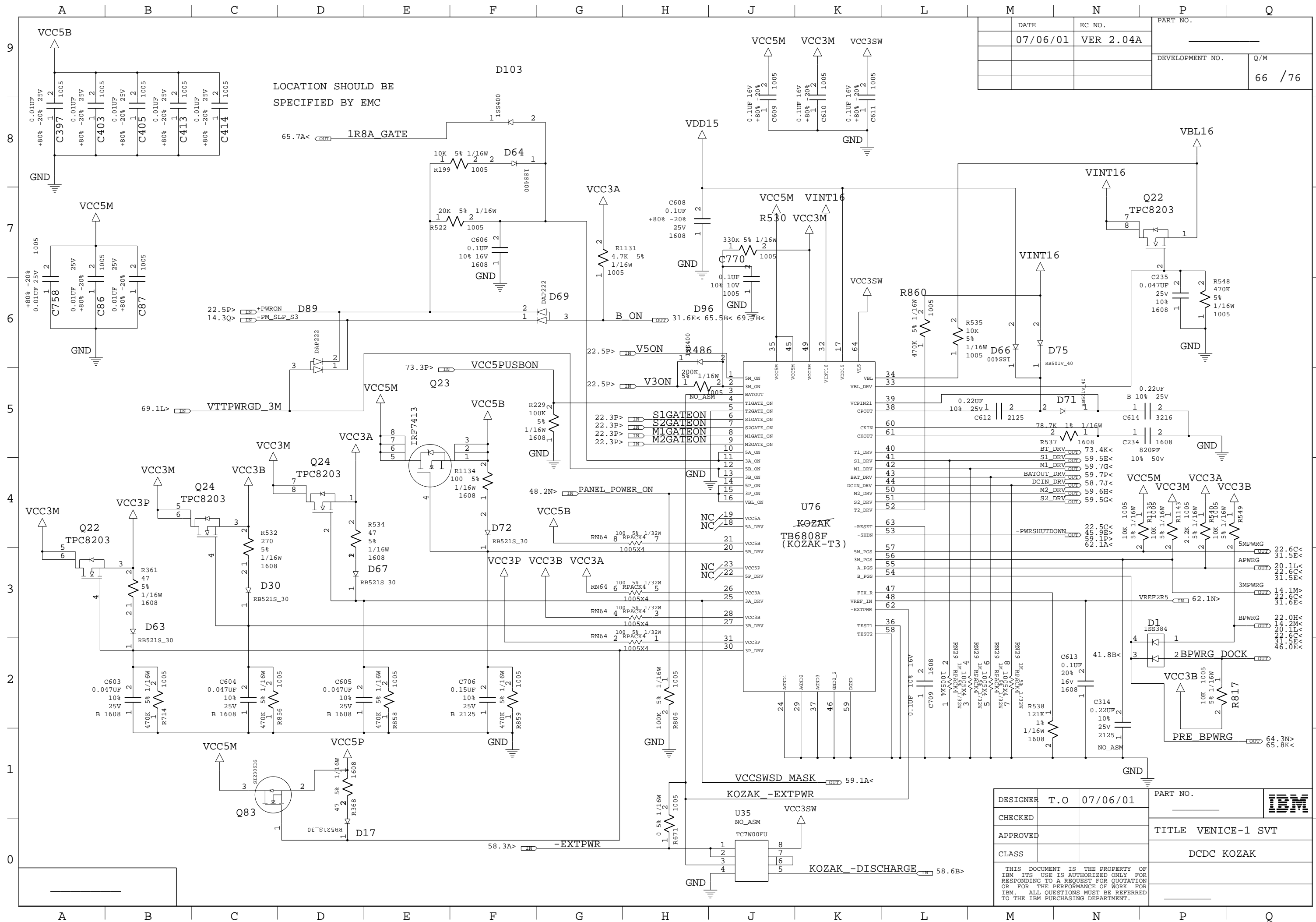


DATE	EC NO.	PART NO.
07/06/01	VER 2.04A	
DEVELOPMENT NO.		Q/M
		65 / 76

	MONACO4	TORONTO4
R701	NO ASM	NO ASM
R702	0 OHM	0 OHM
R708	0 OHM	22.1K
R711	0 OHM	26.7K

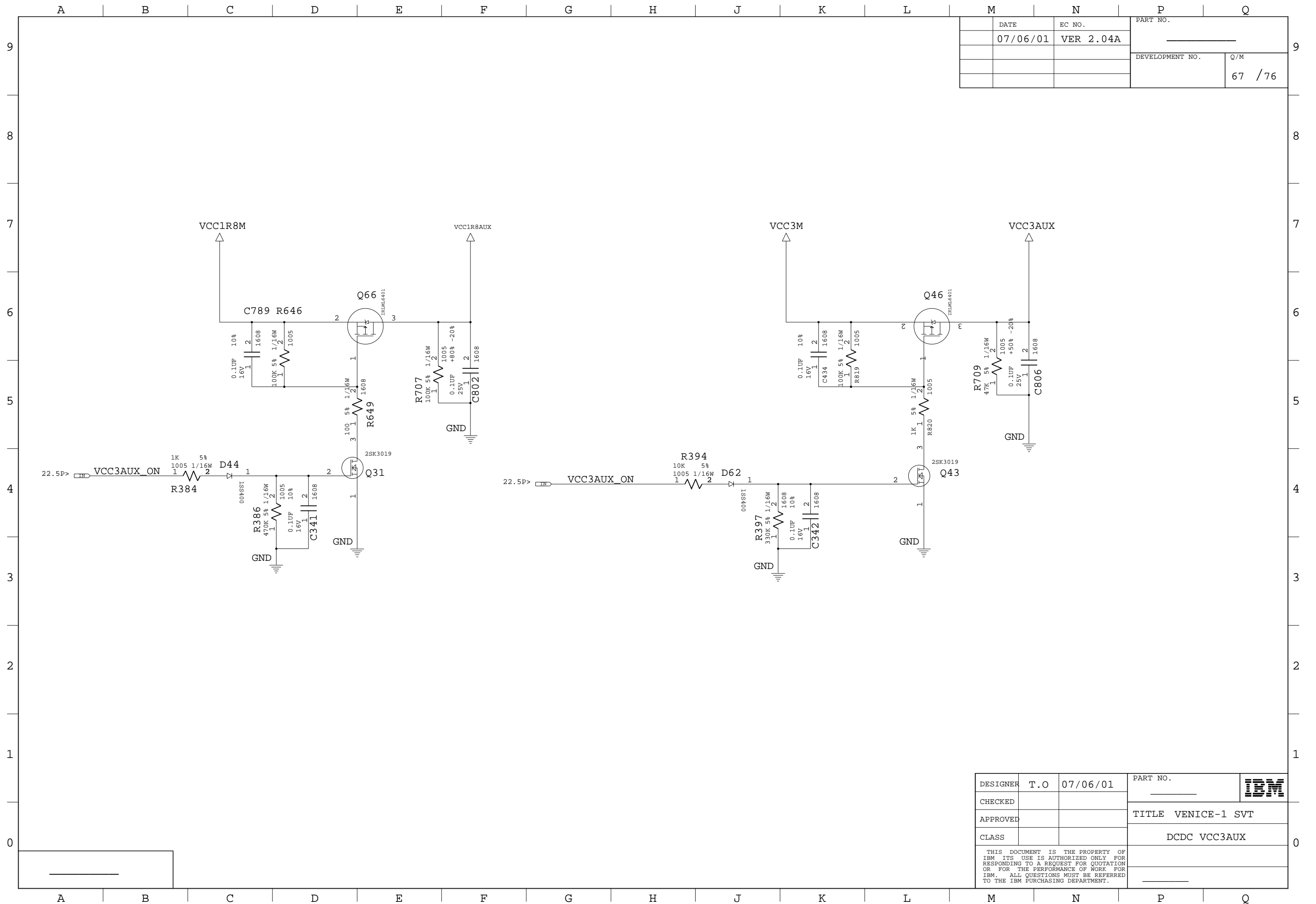
*THESE RS SHOULD BE 0.5% 1/16W

DESIGNER	T.O	07/06/01	PART NO.	IBM
CHECKED				
APPROVED			TITLE VENICE-1 SVT	
CLASS			DC-DC VCC1R8,VIDEO2R5A	
THIS DOCUMENT IS THE PROPERTY OF IBM ITS USE IS AUTHORIZED ONLY FOR RESPONDING TO A REQUEST FOR QUOTATION OR FOR THE PERFORMANCE OF WORK FOR IBM. ALL QUESTIONS MUST BE REFERRED TO THE IBM PURCHASING DEPARTMENT.				



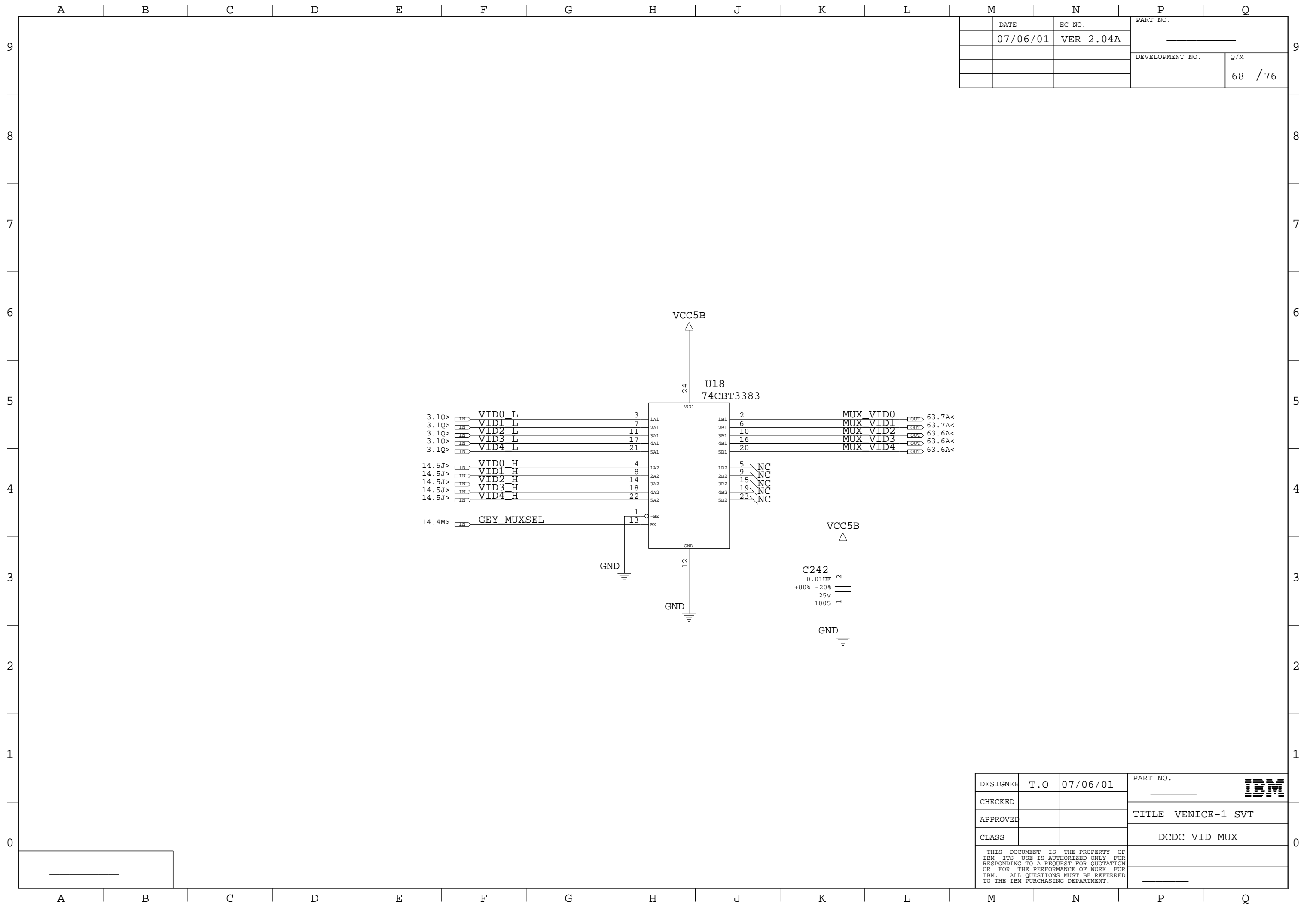
DATE	EC NO.	PART NO.
07/06/01	VER 2.04A	
DEVELOPMENT NO.		Q/M
		66 / 76

DESIGNER	T.O	07/06/01	PART NO.	IBM
CHECKED			TITLE	VENICE-1 SVT
APPROVED			CLASS	DCDC KOZAK
THIS DOCUMENT IS THE PROPERTY OF IBM ITS USE IS AUTHORIZED ONLY FOR RESPONDING TO A REQUEST FOR QUOTATION OR FOR THE PERFORMANCE OF WORK FOR IBM. ALL QUESTIONS MUST BE REFERRED TO THE IBM PURCHASING DEPARTMENT.				



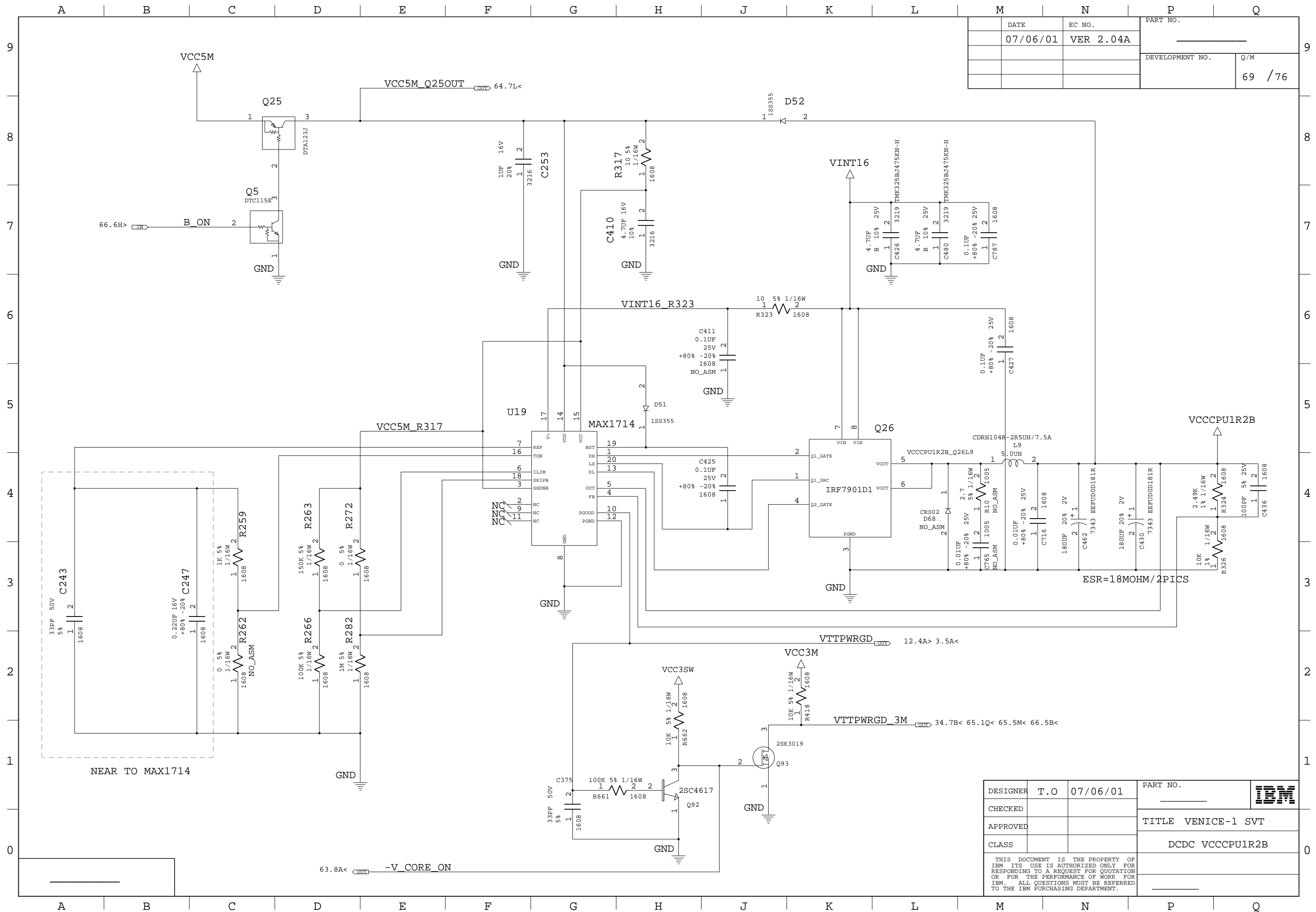
DATE	EC NO.	PART NO.	
07/06/01	VER 2.04A	_____	
		DEVELOPMENT NO.	Q/M
			67 / 76

DESIGNER	T.O	07/06/01	PART NO.	IBM
CHECKED			_____	
APPROVED			TITLE VENICE-1 SVT	
CLASS			DCDC VCC3AUX	
THIS DOCUMENT IS THE PROPERTY OF IBM ITS USE IS AUTHORIZED ONLY FOR RESPONDING TO A REQUEST FOR QUOTATION OR FOR THE PERFORMANCE OF WORK FOR IBM. ALL QUESTIONS MUST BE REFERRED TO THE IBM PURCHASING DEPARTMENT.				



DATE	EC NO.	PART NO.	
07/06/01	VER 2.04A		
		DEVELOPMENT NO.	Q/M
			68 / 76

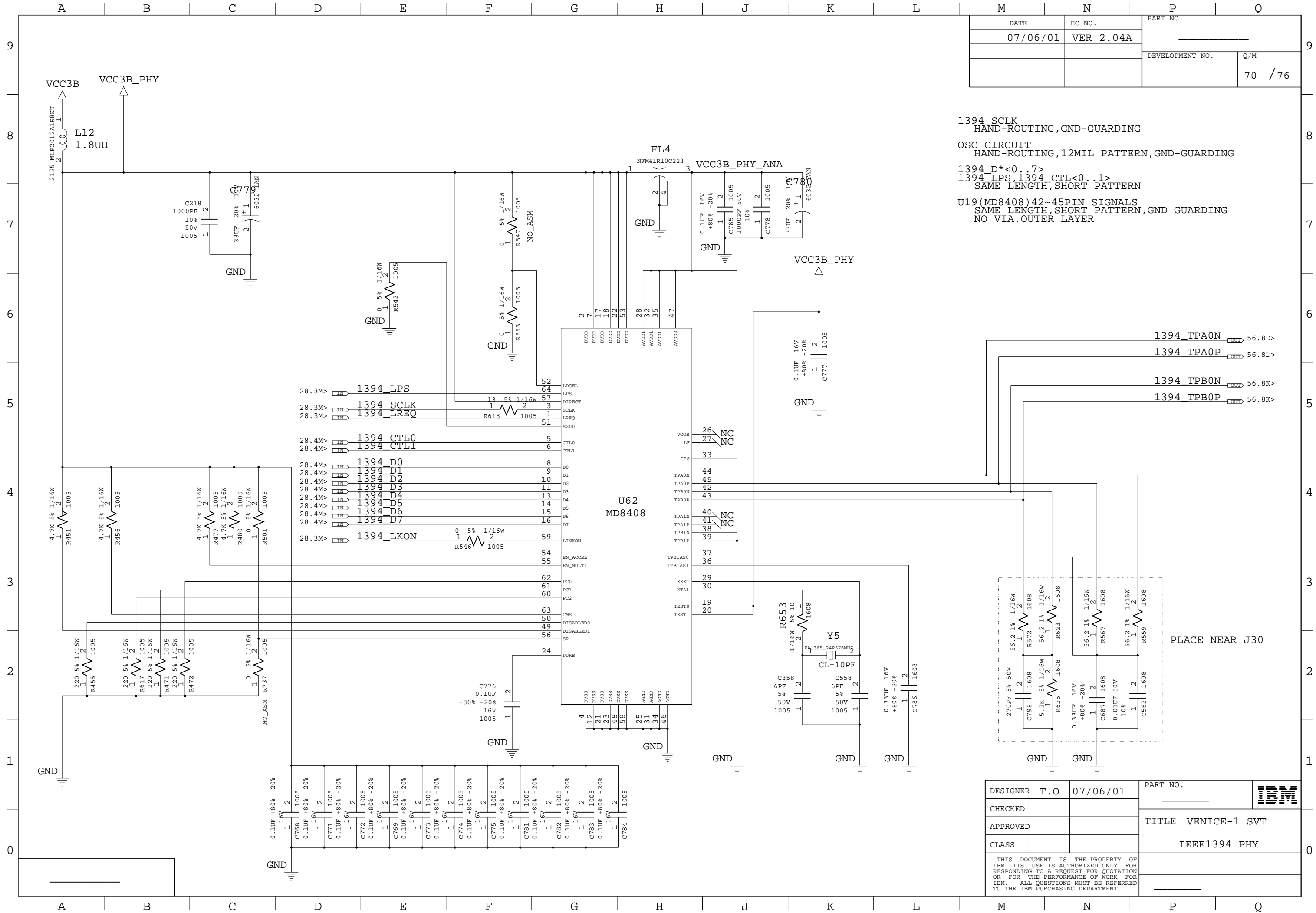
DESIGNER	T.O	07/06/01	PART NO.	IBM
CHECKED				
APPROVED			TITLE VENICE-1 SVT	
CLASS			DCDC VID MUX	
THIS DOCUMENT IS THE PROPERTY OF IBM ITS USE IS AUTHORIZED ONLY FOR RESPONDING TO A REQUEST FOR QUOTATION OR FOR THE PERFORMANCE OF WORK FOR IBM. ALL QUESTIONS MUST BE REFERRED TO THE IBM PURCHASING DEPARTMENT.				



DATE	EC NO.	PART NO.
07/06/01	VER 2.04A	
DEVELOPMENT NO.		Q/M
		69 / 76

DESIGNER	T.O	07/06/01	PART NO.	IBM
CHECKED				
APPROVED			TITLE	VENICE-1 SVT
CLASS				DCDC VCCCPU1R2B
THIS DOCUMENT IS THE PROPERTY OF IBM ITS USE IS AUTHORIZED ONLY FOR RESPONDING TO A REQUEST FOR QUOTATION OR FOR THE PERFORMANCE OF WORK FOR IBM. ALL QUESTIONS MUST BE REFERRED TO THE IBM PURCHASING DEPARTMENT.				

DATE	EC NO.	PART NO.
07/06/01	VER 2.04A	
DEVELOPMENT NO.		Q/M
		70 / 76



1394_SCLK
HAND-ROUTING, GND-GUARDING

OSC CIRCUIT
HAND-ROUTING, 12MIL PATTERN, GND-GUARDING

1394_D* < 0..7>
1394_LPS, 1394_CTL < 0..1>
SAME LENGTH, SHORT PATTERN

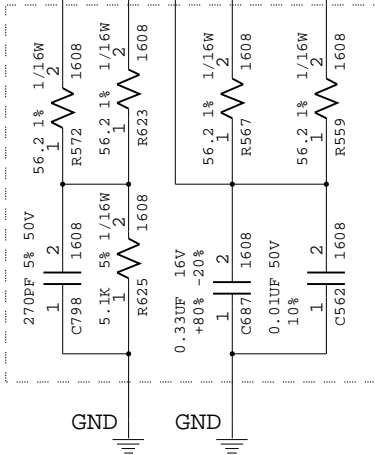
U19 (MD8408) 42-45PIN SIGNALS
SAME LENGTH, SHORT PATTERN, GND GUARDING
NO VIA, OUTER LAYER

1394_TPAON 56.8D>

1394_TPAOP 56.8D>

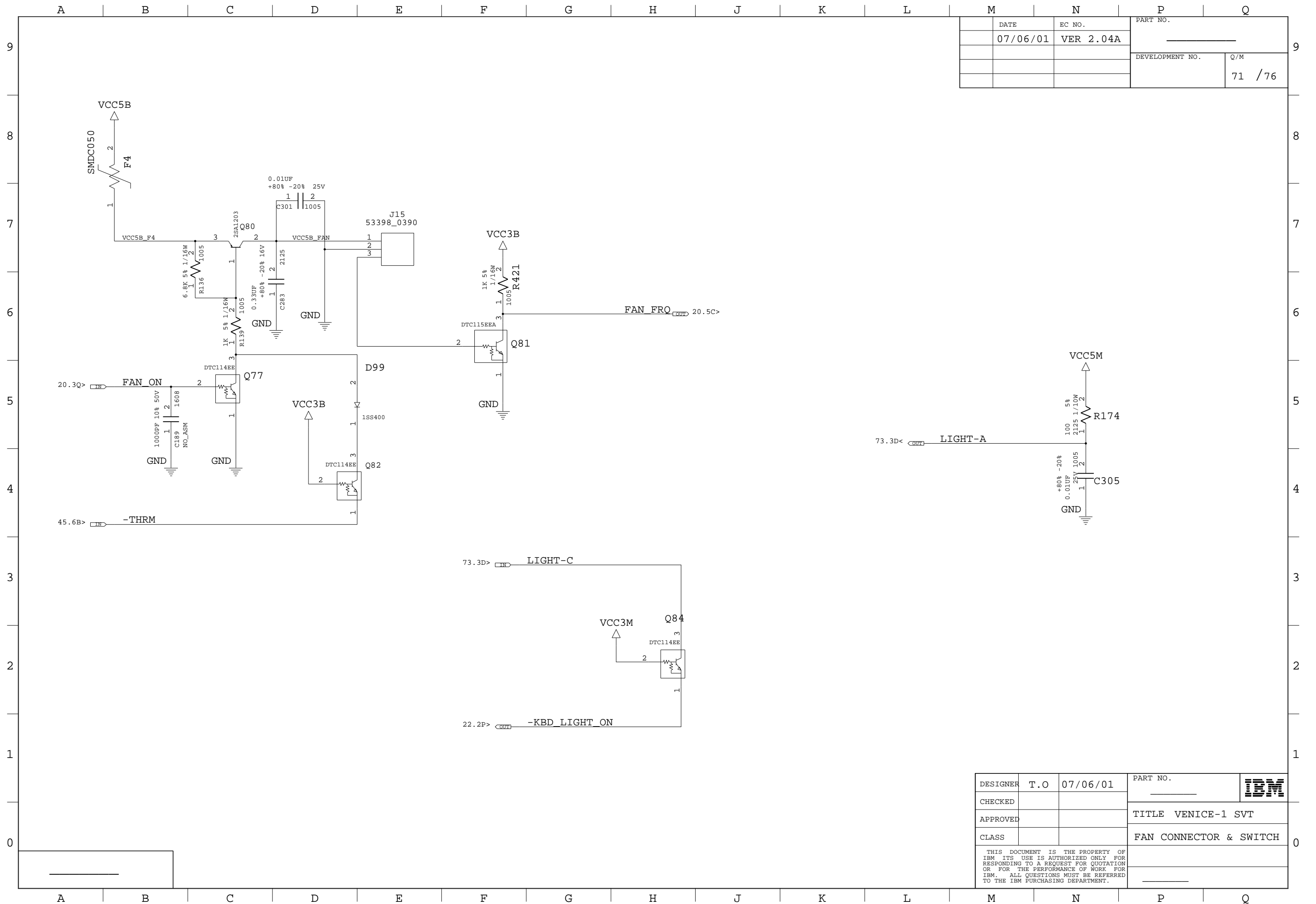
1394_TP BON 56.8K>

1394_TP BOP 56.8K>



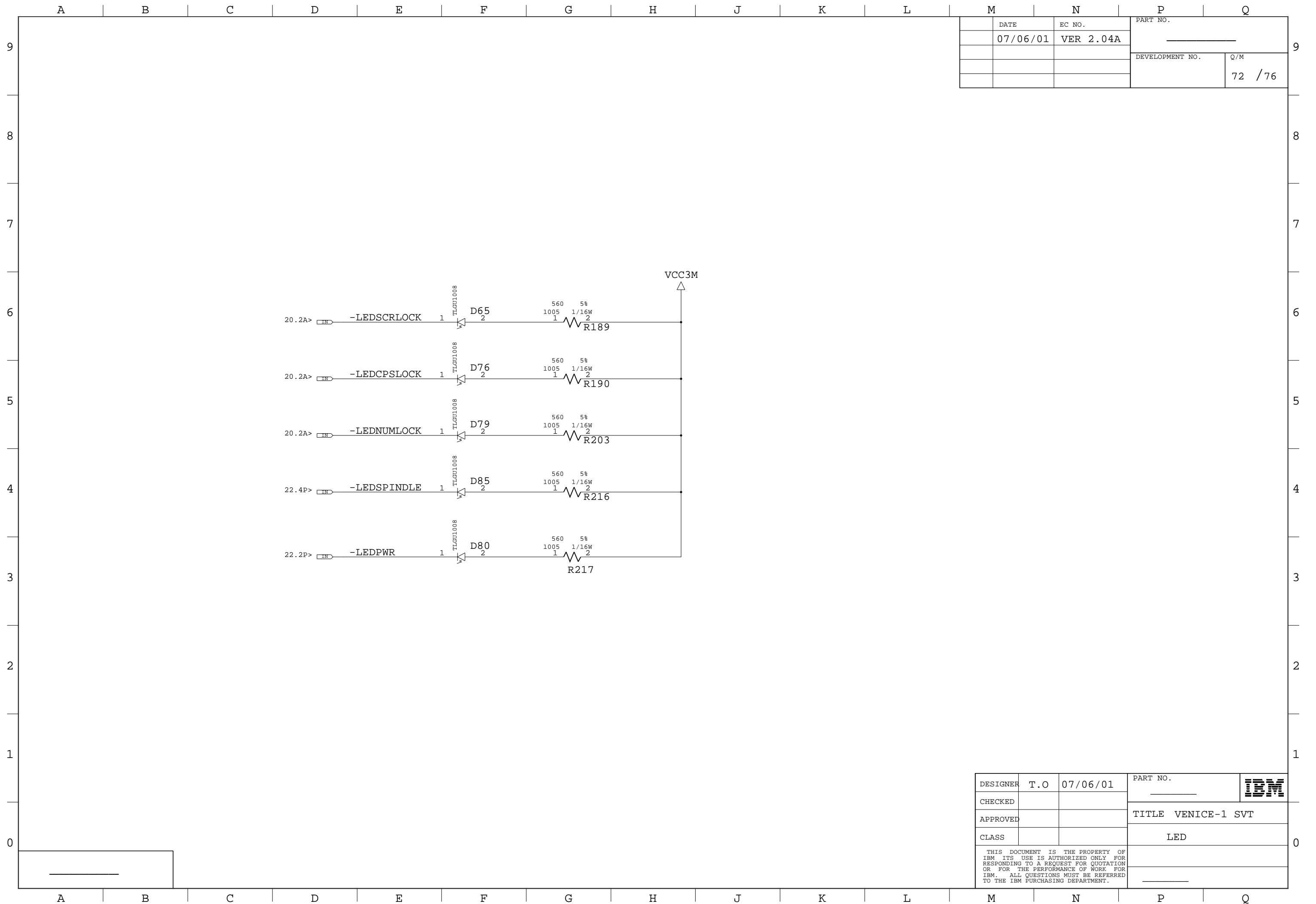
PLACE NEAR J30

DESIGNER	T.O	07/06/01	PART NO.	IBM
CHECKED				
APPROVED			TITLE	VENICE-1 SVT
CLASS				IEEE1394 PHY
THIS DOCUMENT IS THE PROPERTY OF IBM. ITS USE IS AUTHORIZED ONLY FOR RESPONDING TO A REQUEST FOR QUOTATION OR FOR THE PERFORMANCE OF WORK FOR IBM. ALL QUESTIONS MUST BE REFERRED TO THE IBM PURCHASING DEPARTMENT.				



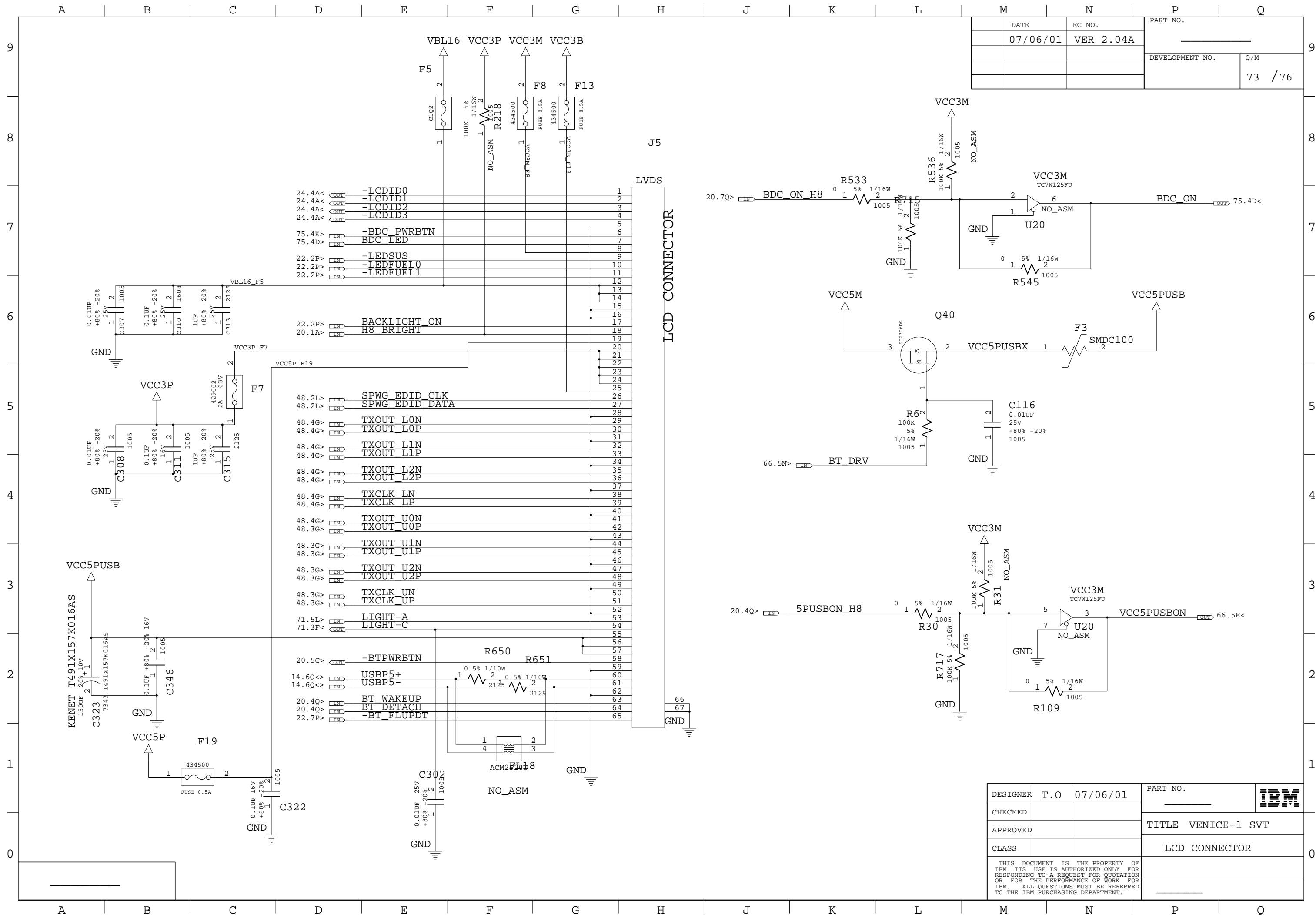
DATE	EC NO.	PART NO.	
07/06/01	VER 2.04A		
		DEVELOPMENT NO.	Q/M
			71 / 76

DESIGNER	T.O	07/06/01	PART NO.	IBM
CHECKED				
APPROVED			TITLE VENICE-1 SVT	
CLASS			FAN CONNECTOR & SWITCH	
THIS DOCUMENT IS THE PROPERTY OF IBM ITS USE IS AUTHORIZED ONLY FOR RESPONDING TO A REQUEST FOR QUOTATION OR FOR THE PERFORMANCE OF WORK FOR IBM. ALL QUESTIONS MUST BE REFERRED TO THE IBM PURCHASING DEPARTMENT.				



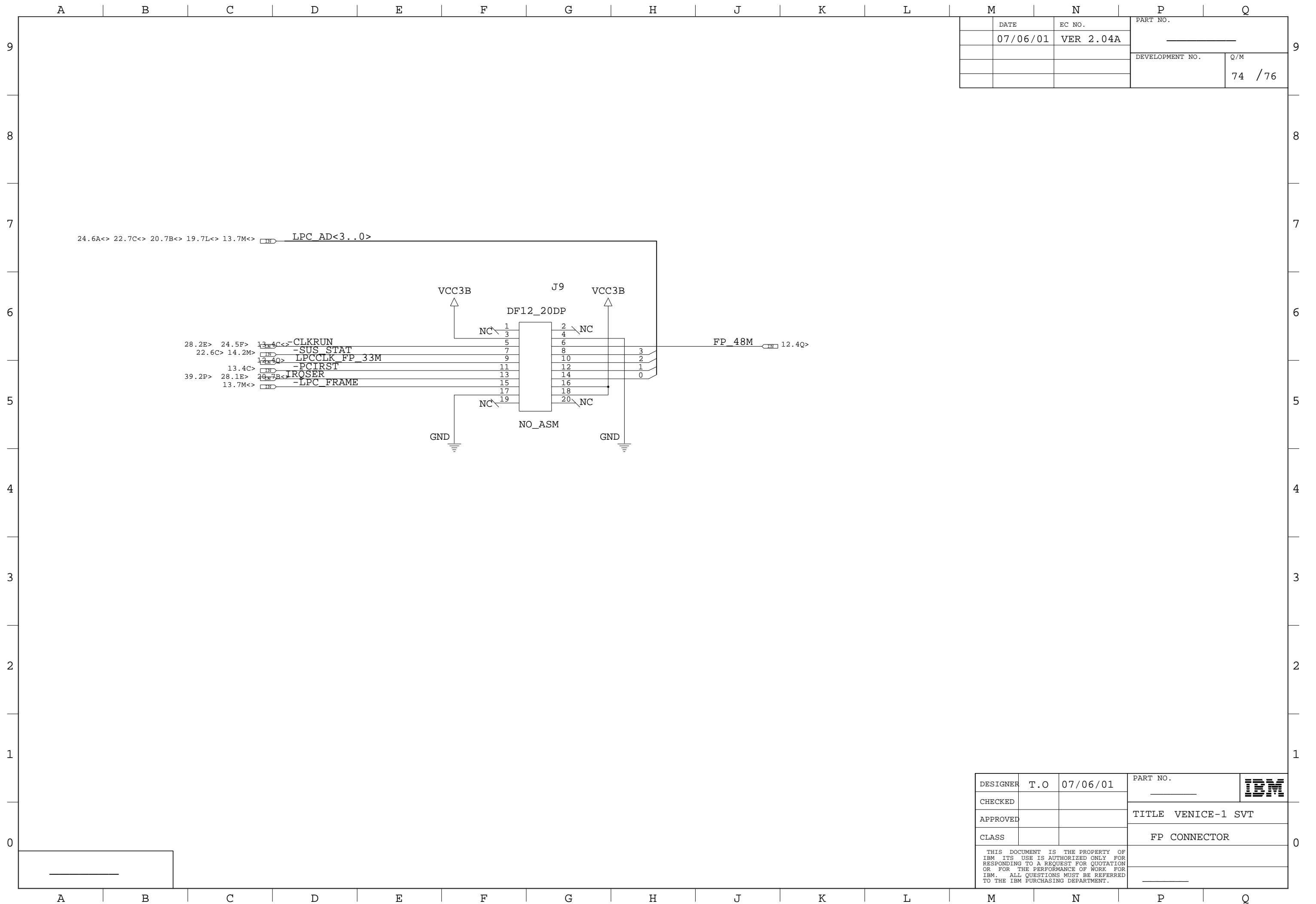
DATE	EC NO.	PART NO.	
07/06/01	VER 2.04A		
		DEVELOPMENT NO.	Q/M
			72 /76

DESIGNER	T.O	07/06/01	PART NO.	IBM
CHECKED				
APPROVED			TITLE VENICE-1 SVT	
CLASS			LED	
THIS DOCUMENT IS THE PROPERTY OF IBM ITS USE IS AUTHORIZED ONLY FOR RESPONDING TO A REQUEST FOR QUOTATION OR FOR THE PERFORMANCE OF WORK FOR IBM. ALL QUESTIONS MUST BE REFERRED TO THE IBM PURCHASING DEPARTMENT.				



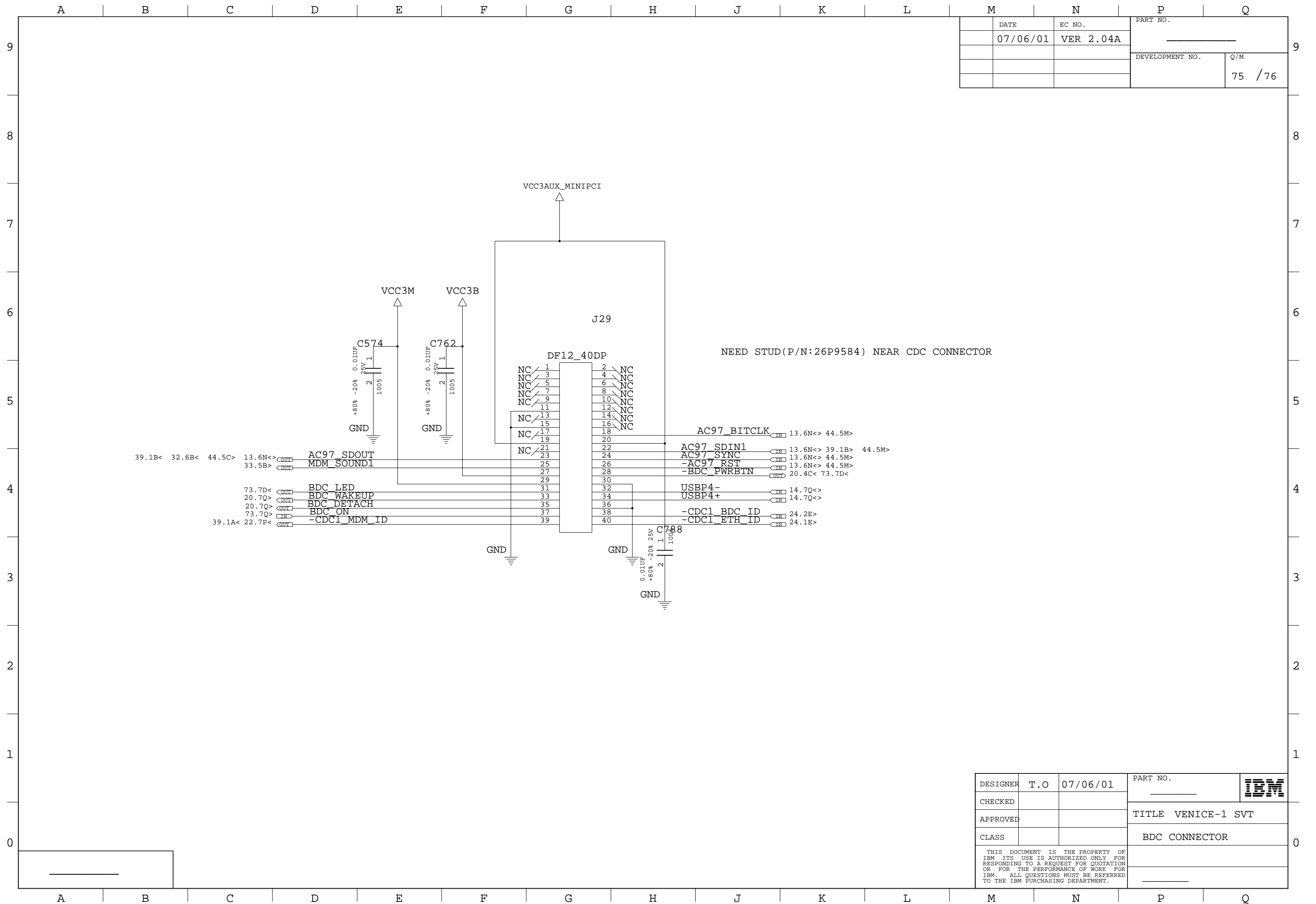
DATE	EC NO.	PART NO.	
07/06/01	VER 2.04A		
		DEVELOPMENT NO.	Q/M
			73 / 76

DESIGNER	T.O	07/06/01	PART NO.	IBM
CHECKED				
APPROVED			TITLE VENICE-1 SVT	
CLASS			LCD CONNECTOR	
THIS DOCUMENT IS THE PROPERTY OF IBM. ITS USE IS AUTHORIZED ONLY FOR RESPONDING TO A REQUEST FOR QUOTATION OR FOR THE PERFORMANCE OF WORK FOR IBM. ALL QUESTIONS MUST BE REFERRED TO THE IBM PURCHASING DEPARTMENT.				



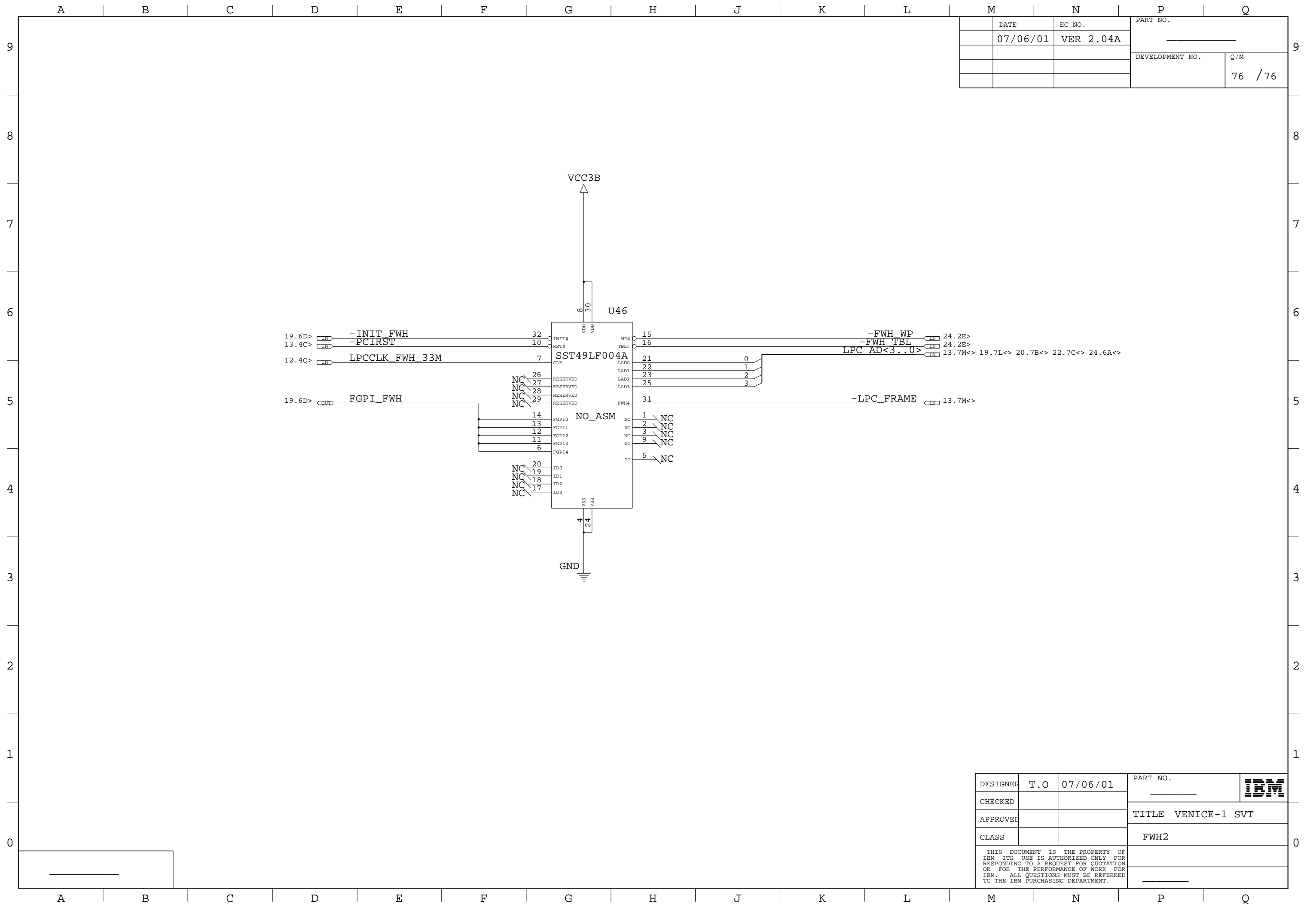
DATE	EC NO.	PART NO.	
07/06/01	VER 2.04A		
		DEVELOPMENT NO.	Q/M
			74 / 76

DESIGNER	T.O	07/06/01	PART NO.	IBM
CHECKED				
APPROVED			TITLE VENICE-1 SVT	
CLASS			FP CONNECTOR	
THIS DOCUMENT IS THE PROPERTY OF IBM ITS USE IS AUTHORIZED ONLY FOR RESPONDING TO A REQUEST FOR QUOTATION OR FOR THE PERFORMANCE OF WORK FOR IBM. ALL QUESTIONS MUST BE REFERRED TO THE IBM PURCHASING DEPARTMENT.				



DATE	EC NO.	PART NO.	
07/06/01	VER 2.04A		
		DEVELOPMENT NO.	Q/M
			75 / 76

DESIGNER	T.O	07/06/01	PART NO.	IBM
CHECKED				
APPROVED			TITLE VENICE-1 SVT	
CLASS			BDC CONNECTOR	
THIS DOCUMENT IS THE PROPERTY OF IBM. ITS USE IS AUTHORIZED ONLY FOR RESPONDING TO A REQUEST FOR QUOTATION OR FOR THE PERFORMANCE OF WORK FOR IBM. ALL QUESTIONS MUST BE REFERRED TO THE IBM PURCHASING DEPARTMENT.				



DATE	EC NO.	PART NO.	
07/06/01	VER 2.04A		
		DEVELOPMENT NO.	Q/M
			76 / 76

DESIGNER	T.O	07/06/01	PART NO.	IBM
CHECKED				
APPROVED			TITLE VENICE-1 SVT	
CLASS			FWH2	
THIS DOCUMENT IS THE PROPERTY OF IBM. ITS USE IS AUTHORIZED ONLY FOR RESPONDING TO A REQUEST FOR QUOTATION OR FOR THE PERFORMANCE OF WORK FOR IBM. ALL QUESTIONS MUST BE REFERRED TO THE IBM PURCHASING DEPARTMENT.				