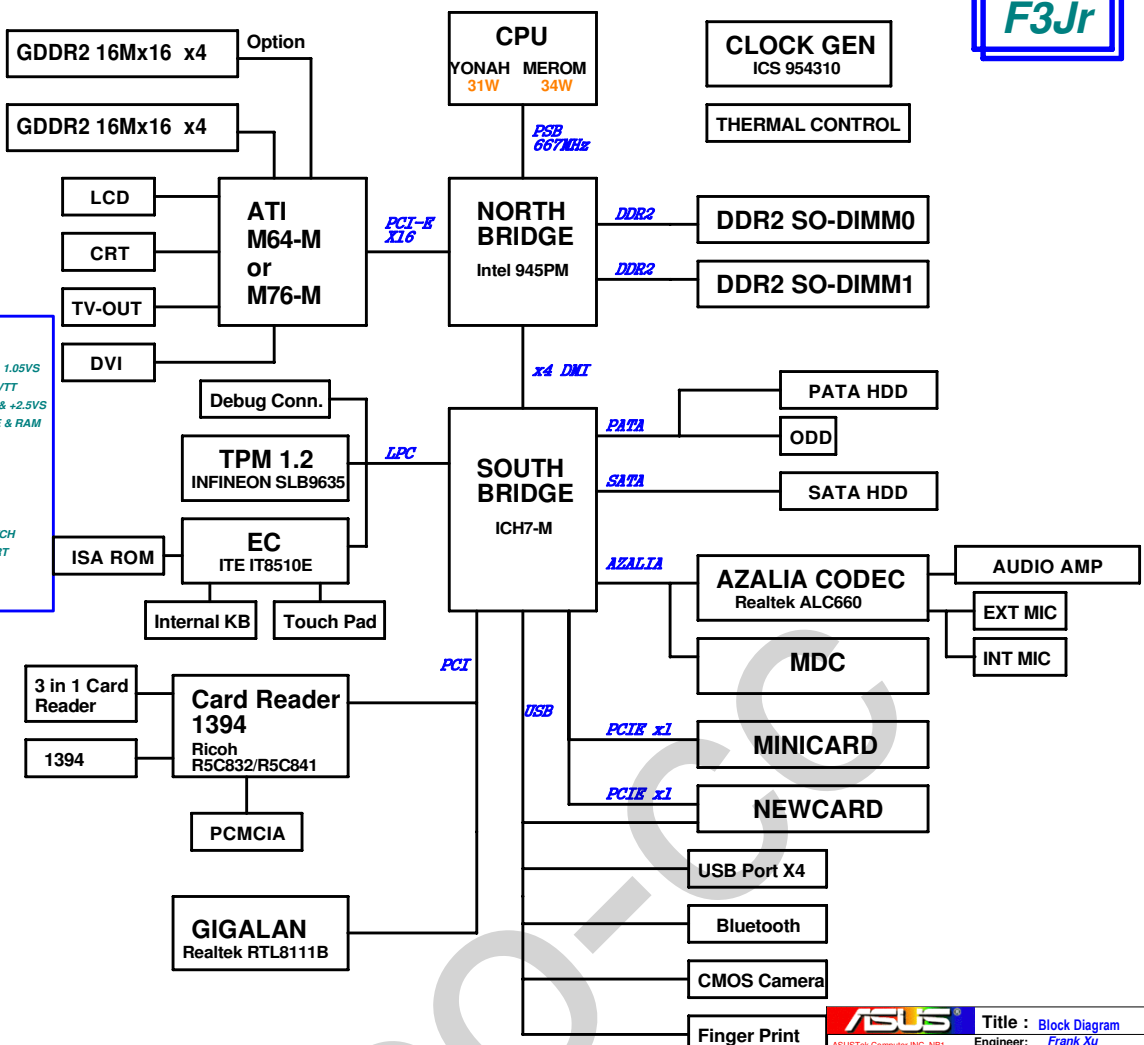


01	Block Diagram	61	*
02	System Setting	62	USB CONN
03	*	63	*
04	CPU-YONAH(HOST)	64	ISA ROM
05	CPU-YONAH(PWR)	65	*
06	*	66	LED
07	NB-945PM(HOST)	67	*
08	NB-945PM(DM & CFG)	68	DC & BAT IN
09	NB-945PM(GRAPHIC)	69	*
10	NB-945PM(DDR2)	70	Debug CONN.
11	NB-945PM(PWR)	71	*
12	NB-945PM(PWR2)	72	SATA-HDD & ODD
13	NB-945PM(GND)	73	*
14	*	74	SREW HOLE
15	SB-ICH7M(1)	75	*
16	SB-ICH7M(2)	76	TPM
17	SB-ICH7M(3)	77	*
18	SB-ICH7M(PWR)	78	BT
19	*	79	*
20	DDR2 SO-DIMM0	80	POWER_VCORE
21	DDR2 SO-DIMM1	81	POWER_SYSTEM
22	DDR2 TERMINATION	82	POWER_IO_1.5VS & 1.05VS
23	*	83	POWER_IO_DDR & VTT
24	VGA_ATL_M7X/64-M_MAIN(1)	84	POWER_IO_+3VAO & +2.5VS
25	VGA_ATL_M7X/64-M_Memory(2)	85	POWER_VGA_CORE & RAM
26	VGA_ATL_M7X/64-M_PCI-E(3)	86	POWER_+1.2VSP
27	VGA_ATL_M7X/64-M_POWER(4)	87	POWER_CHARGER
28	VGA_ATL_M7X/64-M_VRAM_A(5)	88	POWER_PIC(Empty)
29	VGA_ATL_M7X/64-M_VRAM_B(6)	89	POWER_DETECT
30	VGA_SPL_ROM (7)	90	POWER_PROTECT
31	FINGER PRINT	91	POWER_LOAD SWITCH
32	CRT	92	POWER_FLOWCHART
33	LVDS & INVERTER CONNECTOR	93	POWER_SIGNAL
34	*	94	History
35	TV OUT CONN		
36	*		
37	THER SENSOR & FAN		
38	*		
39	CLOCK GEN-ICS954310		
40	*		
41	Power on & Reset Freq.		
42	DISCHARGE		
43	*		
44	LAN-RTL8111B		
45	MDC & RJ45+11		
46	*		
47	MINI CARD		
48	*		
49	CARD1394-R5C832(1)		
50	CARD1394-R5C832(2)		
51	3 in 1 CARD READER		
52	NEWCARD		
53	R5C841		
54	PCMCIA SOCKET A		
55	*		
56	CODEC-ALC660		
57	AUDIO AMP & JCAK		
58	*		
59	EC-IT8510E		
60	Touch Pad & KB		



ASUSTek Computer, INC. NBI		Title : Block Diagram	
Size	Project Name	Engineer:	Frank Xu
Custom	F3Jr		
Date: 11/11/2006	Sheet: 1	of	94

<< Kennedy_Zhang >>



EC GPIO SETTING

Pin	Pin Name	Signal Name	Type
32	PWM0/GPA0	/	
33	PWM1/GPA1	FAN_PWM	O
36	PWM2/GPA2	/	
37	PWM3/GPA3	/	
38	PWM4/GPA4	CHG_LED_UP#	O
39	PWM5/GPA5	PWR_LED_UP#	O
40	PWM6/GPA6	/	
43	PWM7/GPA7	LCD_BACKOFF#	O
153	RXD/SPB0	NUM_LED	O
154	TXD/SPB1	CAP_LED	O
162	GPB2	SCRL_LED	O
163	SMCLK0/SPB3	SMB0_CLK	IO
164	SMDAT0/SPB4	SMB0_DAT	IO
5	GA20/GPB5	A20GATE	O
6	KBRST#/GPB6	RC_IN#	O
165	GPB7	/	
165	CLKOUT/GPC0	/	
169	SMCLK1/GPC1	SMB1_CLK	IO
170	SMDAT1/GPC2	SMB1_DAT	IO
171	GPC3	/	
172	TMR0/WUI2/GPC4	ACIN_OC#	I
175	GPC5	OP_SD#	O
176	TMR11/WUI3/GPC6	BAT_IN_OC#	I
1	CK32KOUT/GPC7	EC_IDE_RST#	O
26	RH1#WUI0/GPD0	SUSB#	I
29	RH2#WUI1/GPD1	SUSC#	I
30	LPCRST#WUI4/GPD2	BUF_PLT_RST#	I
31	ECSC#/GPD3	EXT_SC#	O
41	GPD4	RF_ON_SW#	I
42	GINT/GPD5	/	
62	TACH0/GPD6	FAN0_TACH	I
63	TACH1/GPD7	GAIN_AMP#_K	O
87	ADC4/GPE0	COLOREN#	I
88	ADC5/GPE1	INTERNET#	I
89	ADC6/GPE2	MARATHON#	I
90	ADC7/GPE3	DISTP#	I
2	PWR5W/GPE4	PWR_SW#	I
44	WUI5/GPE5	/	
24	LPCPD#WUI6/GPE6	LID_EC#	I
25	CLKRUN#WUI7/GPE7	BT_ON#	I
110	PS2CLK0/GPF0	/	
111	PS2DAT0/GPF1	/	
114	PS2CLK1/GPF2	/	
115	PS2DAT1/GPF3	/	
116	PS2CLK2/GPF4	TP_CLK	IO
117	PS2DAT2/GPF5	TP_DAT	IO
118	PS2CLK3/GPF6	/	
119	PS2DAT3/GPF7	/	
113	FA16/GPG0	INSTANTON#	I
112	FA17/GPG1	FA16I	I
104	FA18/GPG2	FA17	I
103	FA19/GPG3	FA18	I
3	FA20/GPG4	/	
4	FA21/GPG5	THRM_CPU#	I
27	LPC80HL/GPG6	/	
28	LPC80LL/GPG7	PMTHERM#	I
		AC_APR_UC#	O

Pin	Pin Name	Signal Name	Type
48	GPH0	VSUS_ON	O
54	GPH1	VSUS_GD#	O
55	GPH2	CPUPWR_GD#	O
69	GPH3	PM_PWRBTN#	O
70	GPH4	SUSC_ON	O
75	GPH5	SUSB_ON	O
76	GPH6	CPU_VRON	O
105	GPH7	PM_RSMRST#	O
148	GP10	ICHT7_PWR0K	O
149	GP11	WATCH_DOG#	O
152	GP12	/	
155	GP13	CHG_EN#	O
156	GP14	PRECHG	O
168	GP15	BAT_LL#	O
174	GP16	BAT_LEARN	O

ICH7-M GPIO SETTING

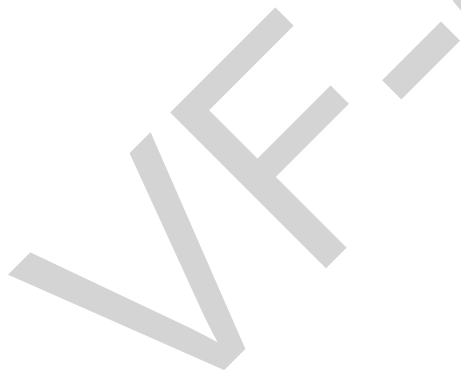
Pin	Pin Name	Signal Name	Type
AB18	GPIO00/BM_BUSY#	PM_BMBUSY#	I
C8	GPIO01/REQ5#	PCL_REQ#5	I
G8	GPIO02/PIRQE#	PCL_INTE#	I
F7	GPIO03/PIRQF#	PCL_INTF#	I
F8	GPIO04/PIRQG#	PCL_INTG#	I
G7	GPIO05/PIRQH#	PCL_INTH#	I
AC21	GPIO06	BTLED_ON	O
AC18	GPIO07	WLAN_LED_EN	O
E21	GPIO08	EXTSM#	I
E20	GPIO09	SATA_DET#0	I
A20	GPIO10	WLAN_ON#	O
B23	SMBALERT#/GPIO11	SMB_ALERT#	I
F19	GPIO12	KBC_SC#	I
E19	GPIO13	ICH_GPIO13	I
R4	GPIO14	TP_LEDON	I
E22	GPIO15	CB_SD#	I
AC22	GPIO16	PM_DPRSLPVR	O
D8	GPIO17/GNT5#	PCL_GNT#5	O
AC20	GPIO18/STP_PCI#	STP_PC#	O
AH18	GPIO19/SATA1GP	ICH_GPIO19	I
AF21	GPIO20/STP_CPU#	STP_CPU#	O
AE19	GPIO21/SATA0GP	CPU_Select	I
A13	GPIO22/REQ4#	PCL_REQ#4	I
AA5	LDRQ1#/GPIO23	LPC_DRQ#1	IO
R3	GPIO24	ICH_GPIO24	O
D20	GPIO25	ICH_GPIO25	O
A21	GPIO26/EL_RSVD	ICH_GPIO26	O
B21	GPIO27/EL_STATE0	PC_DET#	I
E23	GPIO28/EL_STATE1	ICH_GPIO28	O
C3	GPIO29/OC#5	USB_OC#5	I
A2	GPIO30/OC#6	NEWCARD_OC#	I
B3	GPIO31/OC#7	USB_OC#7	I
AG18	GPIO32/CLKRUN#	PM_CLKRUN#	O
AC19	GPIO33/AZ_DOCK_EN#	ICH_GPIO33	O
U2	GPIO34/AZ_DOCK_RST#	ICH_GPIO34	O
AD21	GPIO35	ICH_GPIO35	O
AH19	GPIO36/SATA2GP	ICH_GPIO36	I
AE19	GPIO37/SATA3GP	ICH_GPIO37	I
AD20	GPIO38	PCB_ID1	I
AE20	GPIO39	PCB_ID2	I
A14	GNT4#/GPIO48	PCL_GNT#4	O
AG24	GPIO49/CPUPWRGD	H_PWRGD	O


PCI Device	IDSEL#	REQ/GNT#	Interrupts
CARD READER(832/841)	AD17/AD18	(0/1)	A
1394(832/841)	AD17/AD18	(0/1)	B
CARD BUD(/841)	AD18	1	C

SM-Bus Device	SM-Bus Address
Clock Generator	1101001x (D2)
SO-DIMM 0	1010000x (A0)
SO-DIMM 1	1010001x (A2)
Thermal Sensor	0101110x (5C)

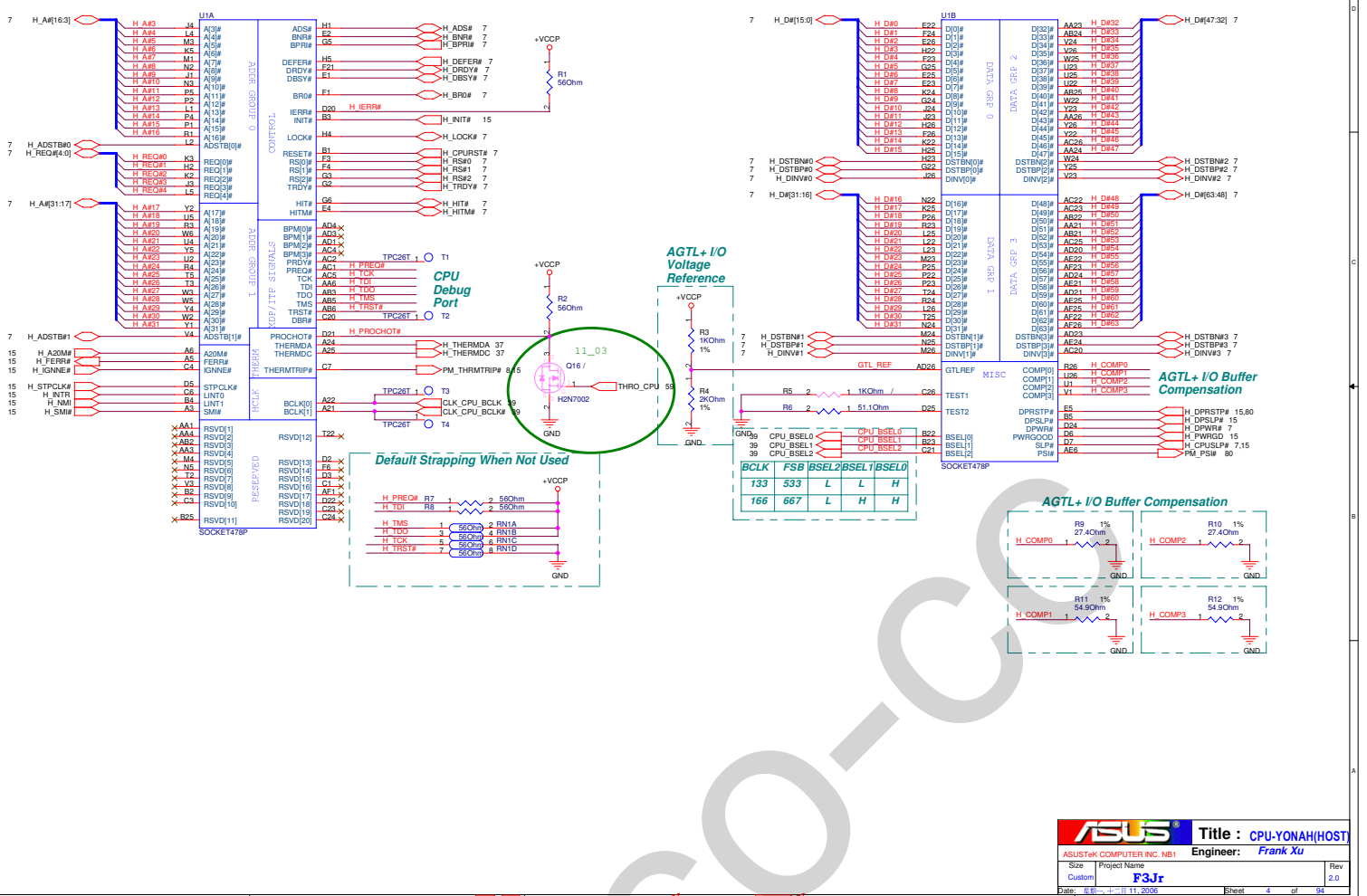
ASUS		Title : System Setting	
ASUSTek Computer INC. N81		Engineer: Frank Xu	
Size	Project Name		Rev
Custom	F3Jr		2.0
Date: 08/11/2006	Sheet: 2	of 94	

<< Kennedy_Zhang >>



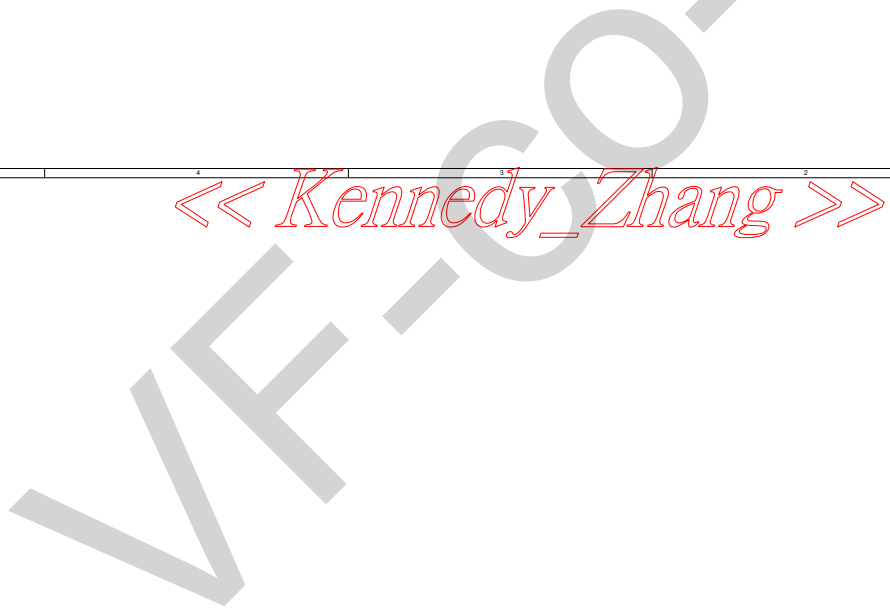
		Title : Schematic page name	
ASUSTeK COMPUTER INC.		Engineer: Frank Xu	
Size	Project Name	Rev	
Custom	F3Jr	2.0	
Date: 08/11/2006	Sheet 8		of 94

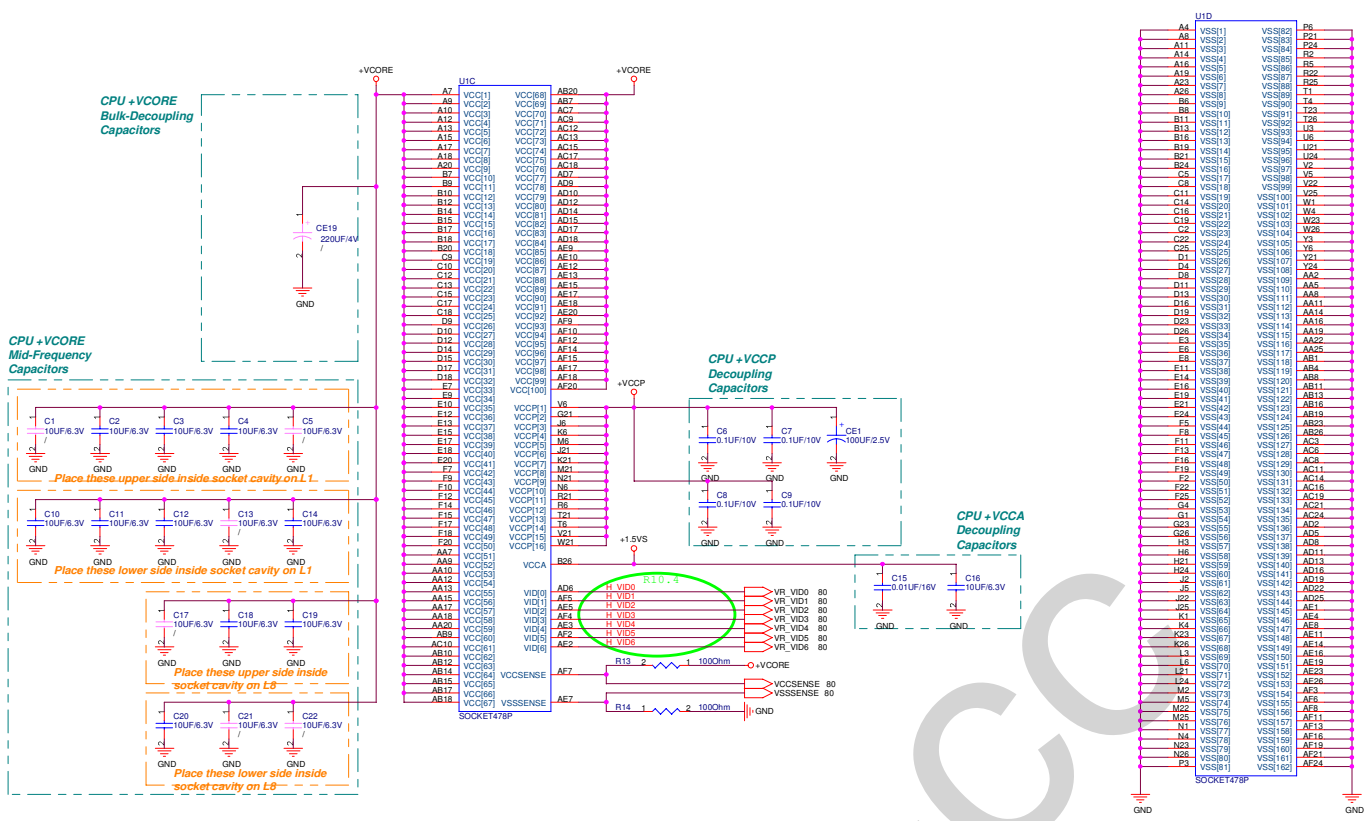
<< Kennedy_Zhang >>



ASUS Title: CPU-YONAH(HOST)
 ASUSTeK COMPUTER INC. NB1 Engineer: Frank Xu
 Size: Custom Project Name: F3Jr Rev: 2.0
 Date: 11/11/2006 Sheet: 4 of 94

<< Kennedy_Zhang >>





+VCORE Mid-Frequency Capacitor
Intel: 220F *32
R1F: 10UF *16


+VCCP Decoupling Capacitor
Intel: 220UF *1, 0.1UF *6
R1F: 270UF *1, 0.1UF *4

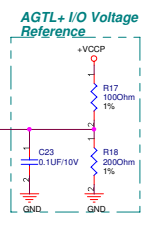
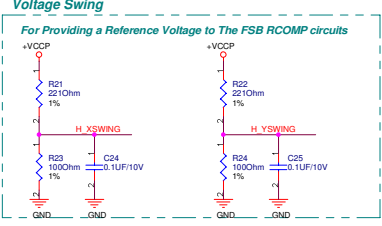
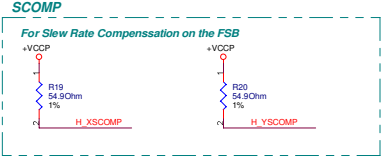
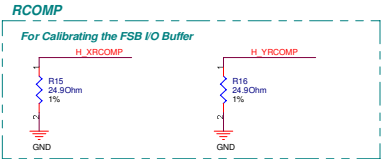
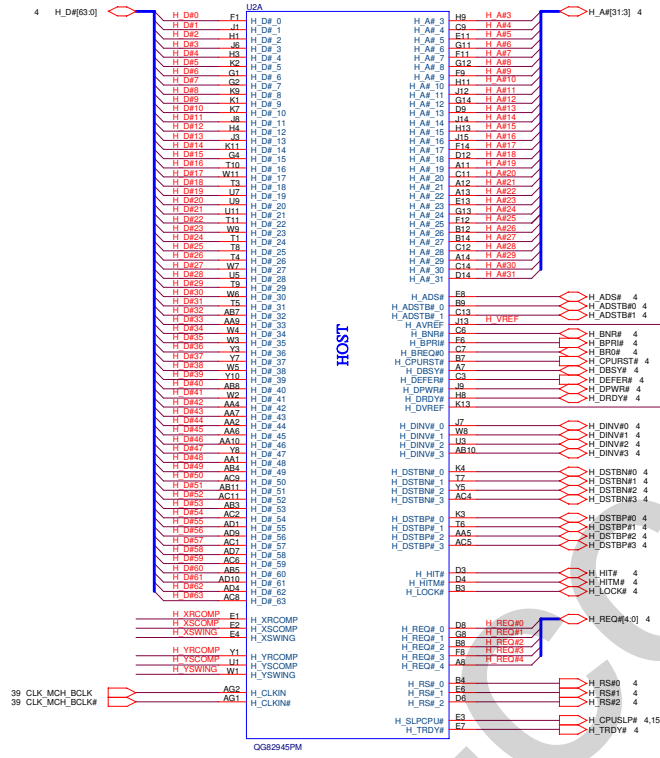
ASUS ASUSTeK COMPUTER INC. NB1 Engineer: CPU_YONAH(PWR)
 Size: Custom Project Name: F3Jr Rev: 2.0
 Date: 11/11/2008 Sheet: 6 of 94

<< Kennedy_Zhang >>

V.F.-CO-CC

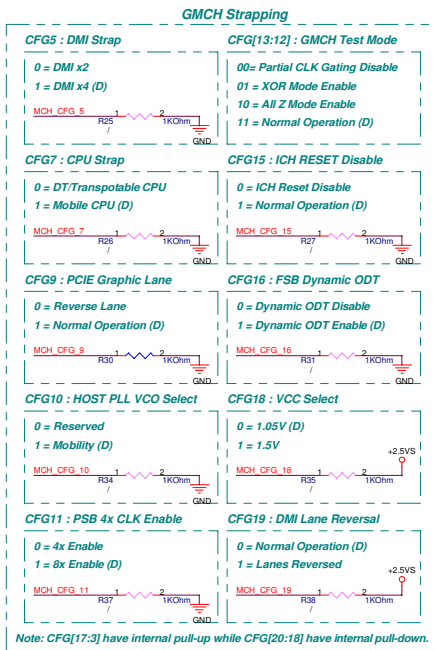
<< Kennedy_Zhang >>

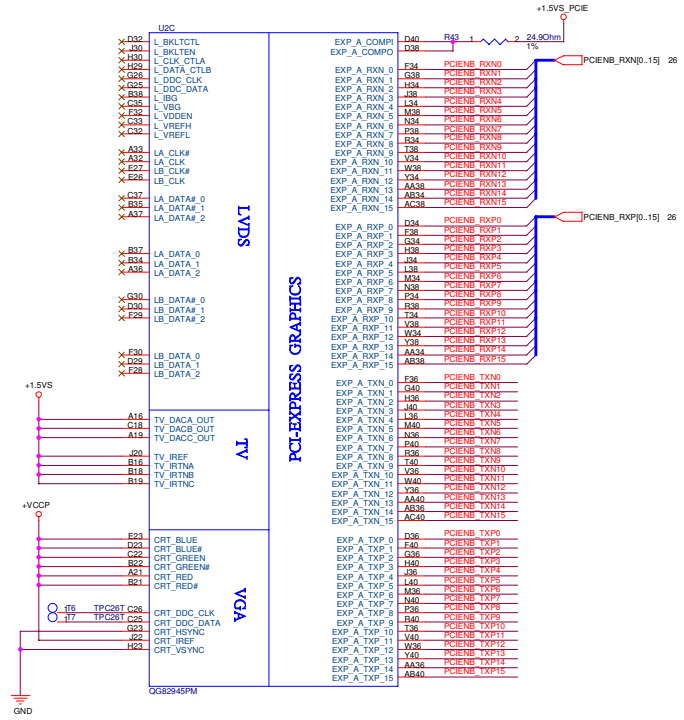
		Title : Schematic page name	
ASUSTeK COMPUTER INC.		Engineer: Frank Xu	
Size	Project Name	Rev	
Custom	F3Jr	2.0	
Date: 08/11/2006	Sheet 6		of 94



<< Kennedy_Zhang >>

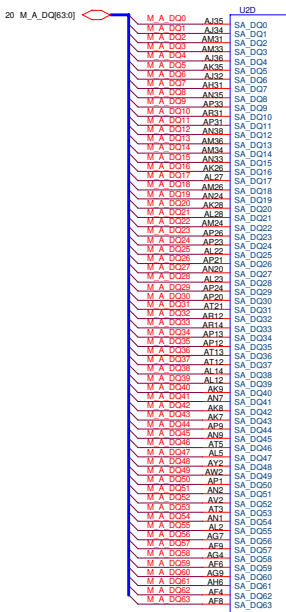
WVF-1000



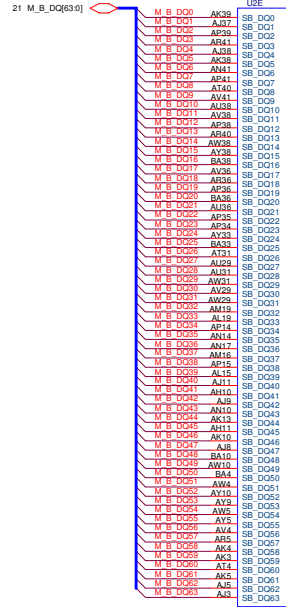
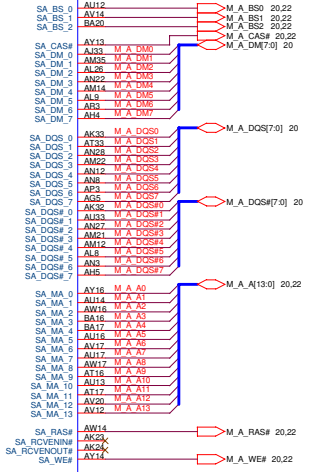


PCIEB_TXP15	1	2	PCIEG_RXP15	26
PCIEB_TXP14	C28	0.1UF16V	PCIEG_RXP14	26
PCIEB_TXP13	1	2	C59	0.1UF16V
PCIEB_TXP12	C30	0.1UF16V	PCIEG_RXP12	26
PCIEB_TXP11	1	2	C3	0.1UF16V
PCIEB_TXP10	C32	0.1UF16V	PCIEG_RXP10	26
PCIEB_TXP9	1	2	C63	0.1UF16V
PCIEB_TXP8	C48	0.1UF16V	PCIEG_RXP8	26
PCIEB_TXP7	1	2	C35	0.1UF16V
PCIEB_TXP6	C38	0.1UF16V	PCIEG_RXP6	26
PCIEB_TXP5	1	2	C37	0.1UF16V
PCIEB_TXP4	C28	0.1UF16V	PCIEG_RXP4	26
PCIEB_TXP3	1	2	C59	0.1UF16V
PCIEB_TXP2	C42	0.1UF16V	PCIEG_RXP2	26
PCIEB_TXP1	1	2	C41	0.1UF16V
PCIEB_TXP0	C42	0.1UF16V	PCIEG_RXP0	26
PCIEB_TXN15	1	2	C43	0.1UF16V
PCIEB_TXN14	C44	0.1UF16V	PCIEG_RXN14	26
PCIEB_TXN13	1	2	C45	0.1UF16V
PCIEB_TXN12	C46	0.1UF16V	PCIEG_RXN12	26
PCIEB_TXN11	1	2	C47	0.1UF16V
PCIEB_TXN10	C48	0.1UF16V	PCIEG_RXN10	26
PCIEB_TXN9	1	2	C50	0.1UF16V
PCIEB_TXN8	1	2	C51	0.1UF16V
PCIEB_TXN6	C52	0.1UF16V	PCIEG_RXN6	26
PCIEB_TXN5	1	2	C53	0.1UF16V
PCIEB_TXN4	C54	0.1UF16V	PCIEG_RXN4	26
PCIEB_TXN3	1	2	C55	0.1UF16V
PCIEB_TXN2	C56	0.1UF16V	PCIEG_RXN2	26
PCIEB_TXN1	1	2	C57	0.1UF16V
PCIEB_TXN0	C58	0.1UF16V	PCIEG_RXN0	26

<< Kennedy_Zhang >>



DDR SYSTEM MEMORY A



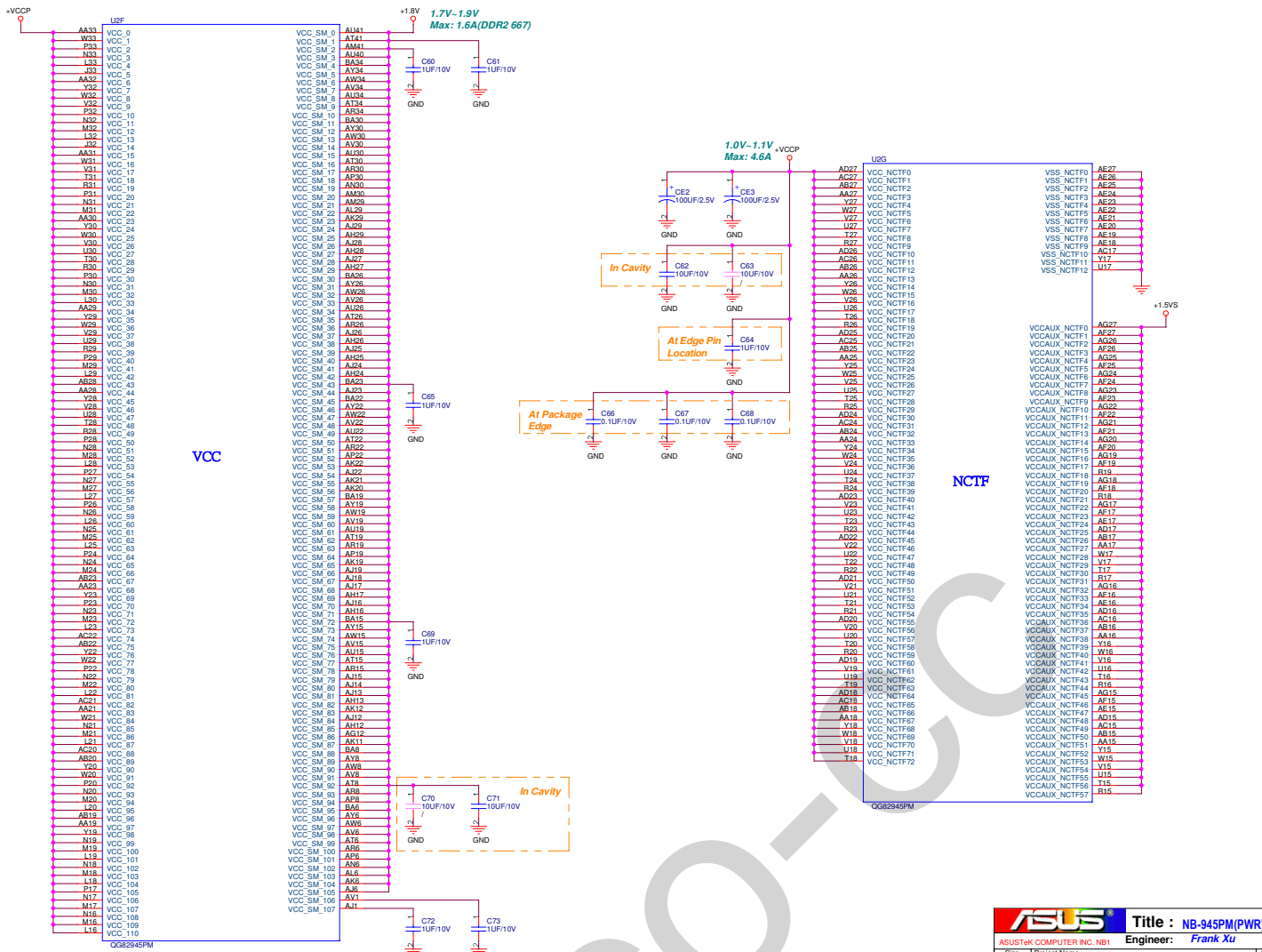
DDR SYSTEM MEMORY B

ASUS Title : NB-945PM(DDR2)

ASUSTeK COMPUTER INC. NB1 Engineer: Frank Xu

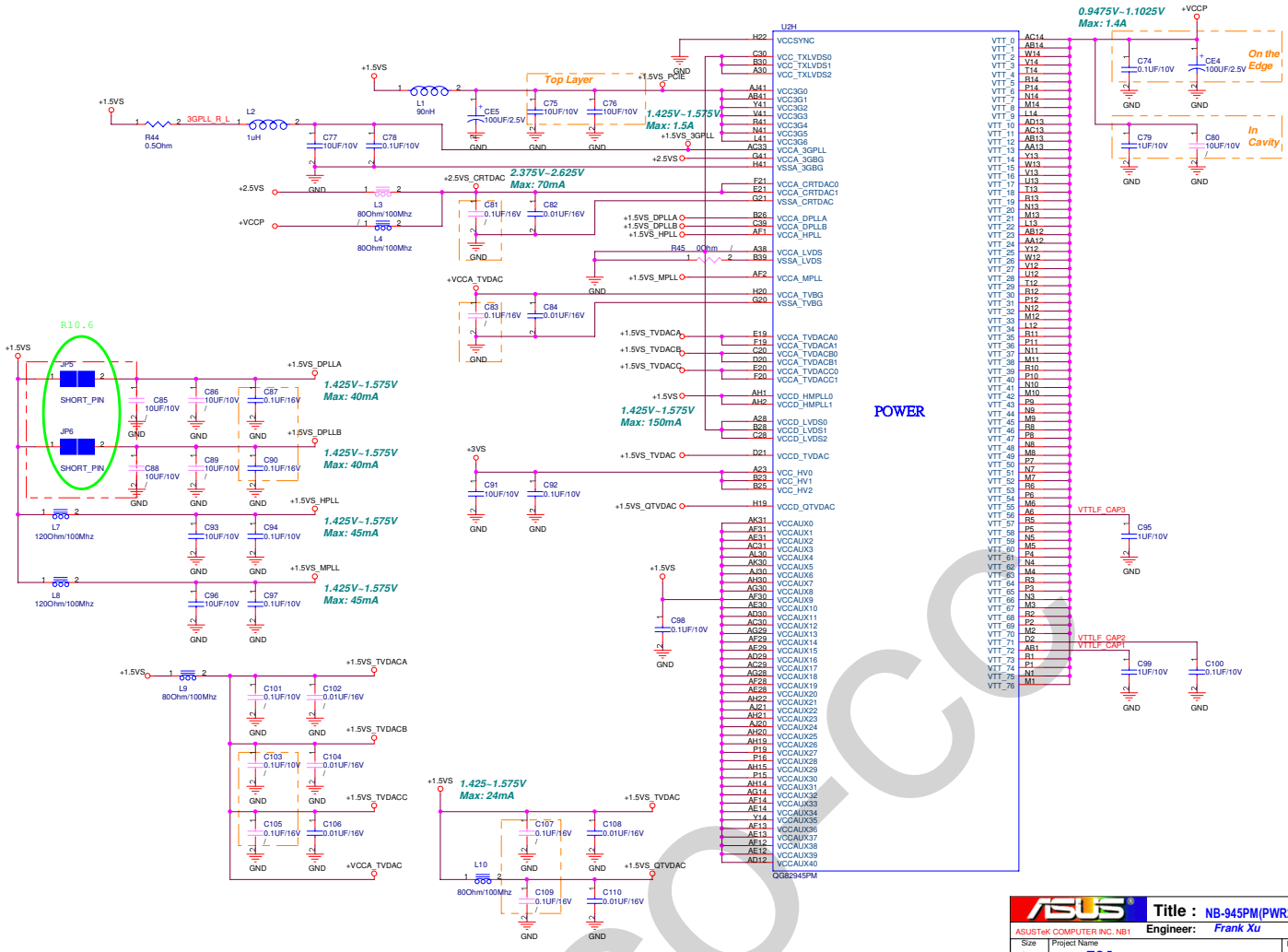
Size	Project Name	Rev
Custom	F3Jr	2.0
Date: 11/11/2006	Sheet: 10 of 94	

<< Kennedy_Zhang >>



ASUS		Title : NB-945PM(PWR)	
ASUSTeK COMPUTER INC. NB1		Engineer: Frank Xu	
Size	Project Name		Rev
Custom	F3Jr		2.0
Date: 11/11/2006		Sheet: 11	of 34

<< Kennedy_Zhang >>



ASUS		Title : NB-945PM(PWR2)
ASUSTeK COMPUTER INC. NB1		Engineer: Frank Xu
Size	Project Name	Rev
Custom	F3Jr	2.0
Date: 11/11/2006	Sheet: 12	of 94

<< Kennedy_Zhang >>


W.F.

Table of VSS pins for U28 (Q682849PM), including part numbers (e.g., AC41, AA41, WA41), pin numbers (VSS 0-94), and designations (e.g., VSS 97, VSS 98).

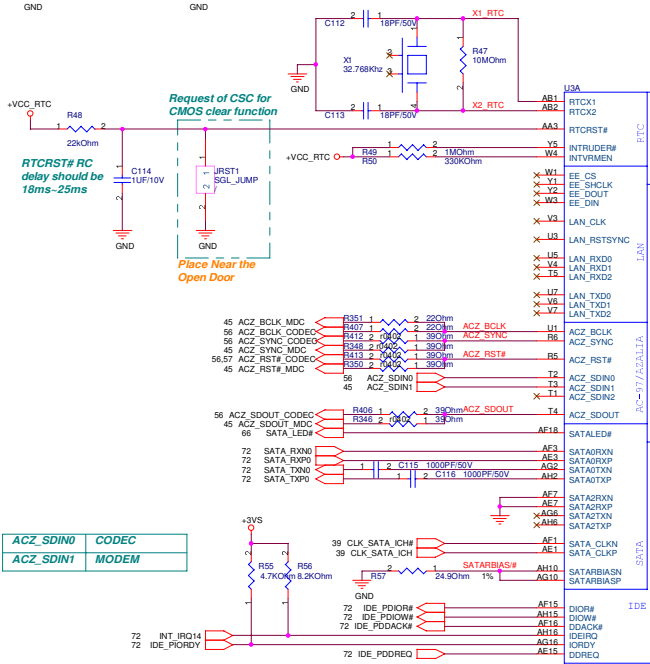
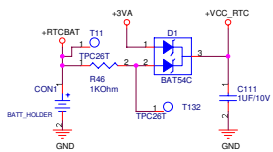
Table of VSS pins for U21, including part numbers (e.g., AT21, AN21, AM21), pin numbers (VSS 180-272), and designations (e.g., VSS 181, VSS 182, VSS 183).

ASUS logo and project information: Title: NB-945PM(GND), Engineer: Frank Xu, Project Name: F3Jr, Date: 07/11/2006, Sheet: 19 of 94.

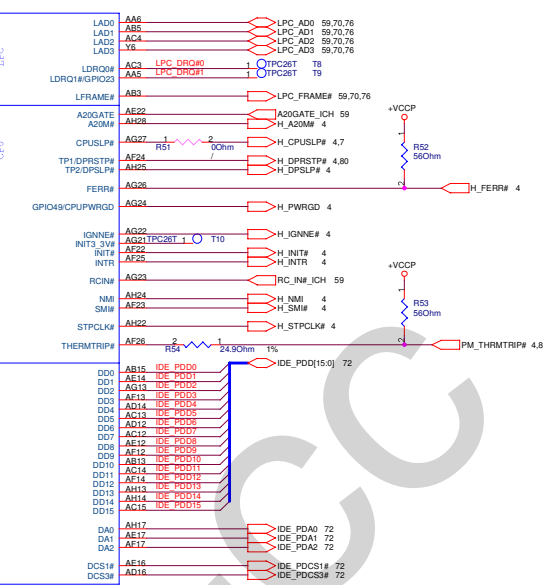
Large red watermark text: << Kennedy_Zhang >>

		Title : Schematic page name	
ASUSTeK COMPUTER INC.		Engineer: Frank Xu	
Size	Project Name	Rev	
Custom	F3Jr	2.0	
Date: 08/11/2006	Sheet 14		of 94

<< Kennedy_Zhang >>



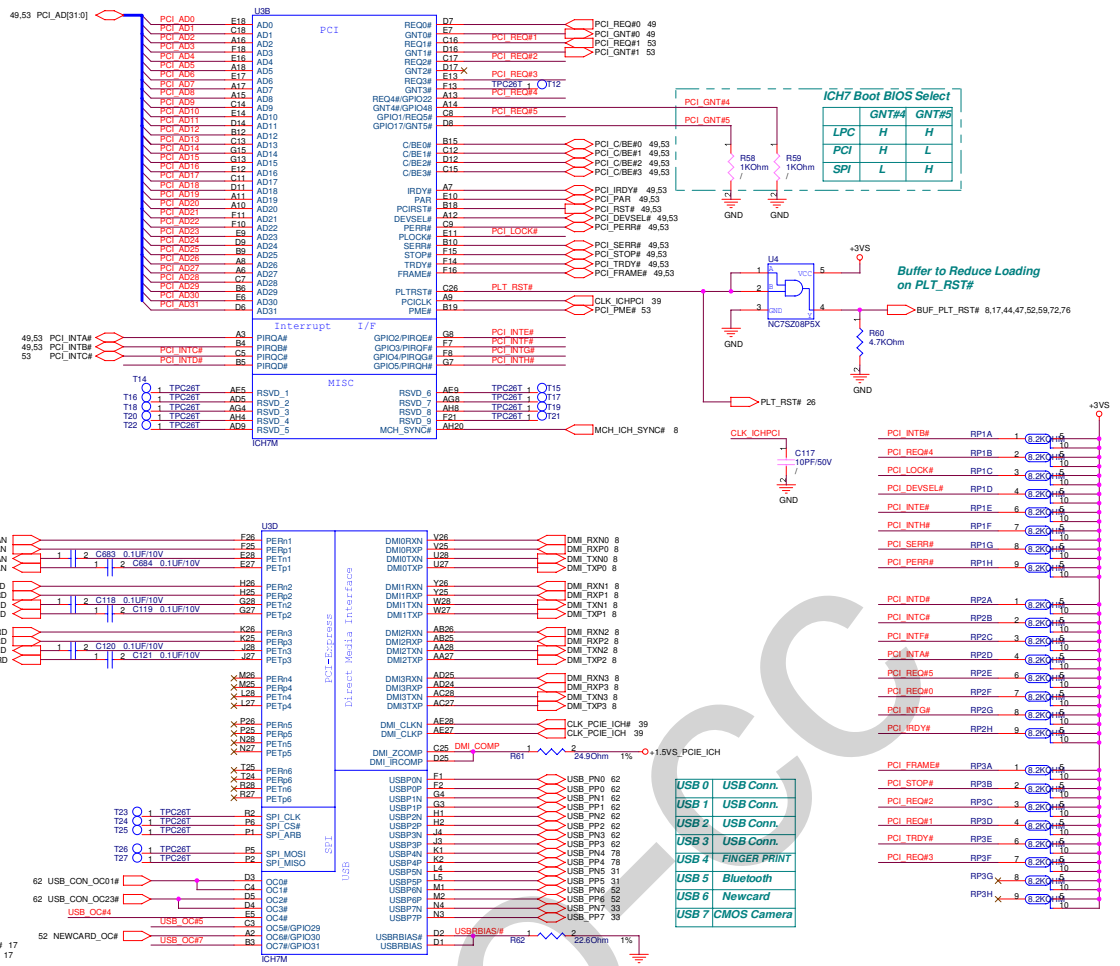
ACZ_SDIN0	CODEC
ACZ_SDIN1	MODEM



ASUS Title : SB-ICH7-M(1)
 ASUSTeK COMPUTER INC. NB1 Engineer: Frank Xu
 Size: Custom Project Name: F3Jr Rev: 2.0
 Date: 11/11/2006 Sheet: 15 of 94

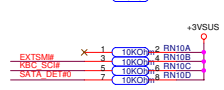
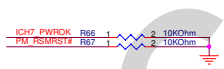
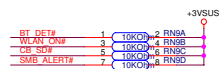
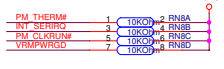
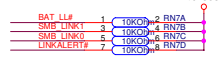
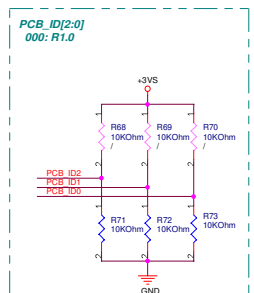
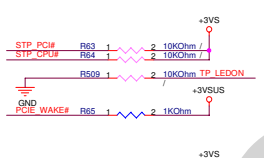
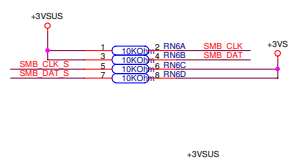
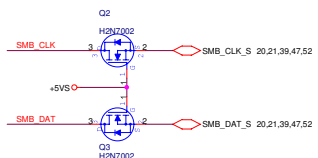
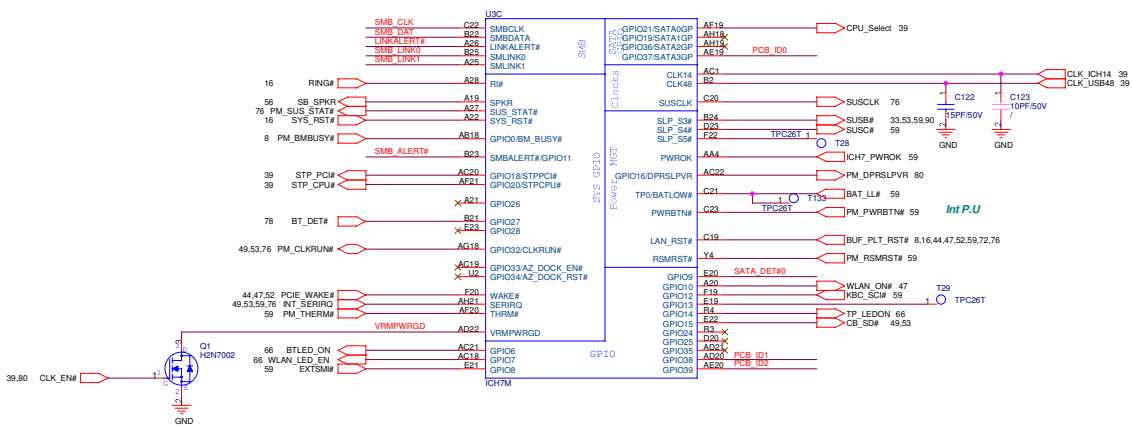
<< Kennedy_Zhang >>

WATERMARK



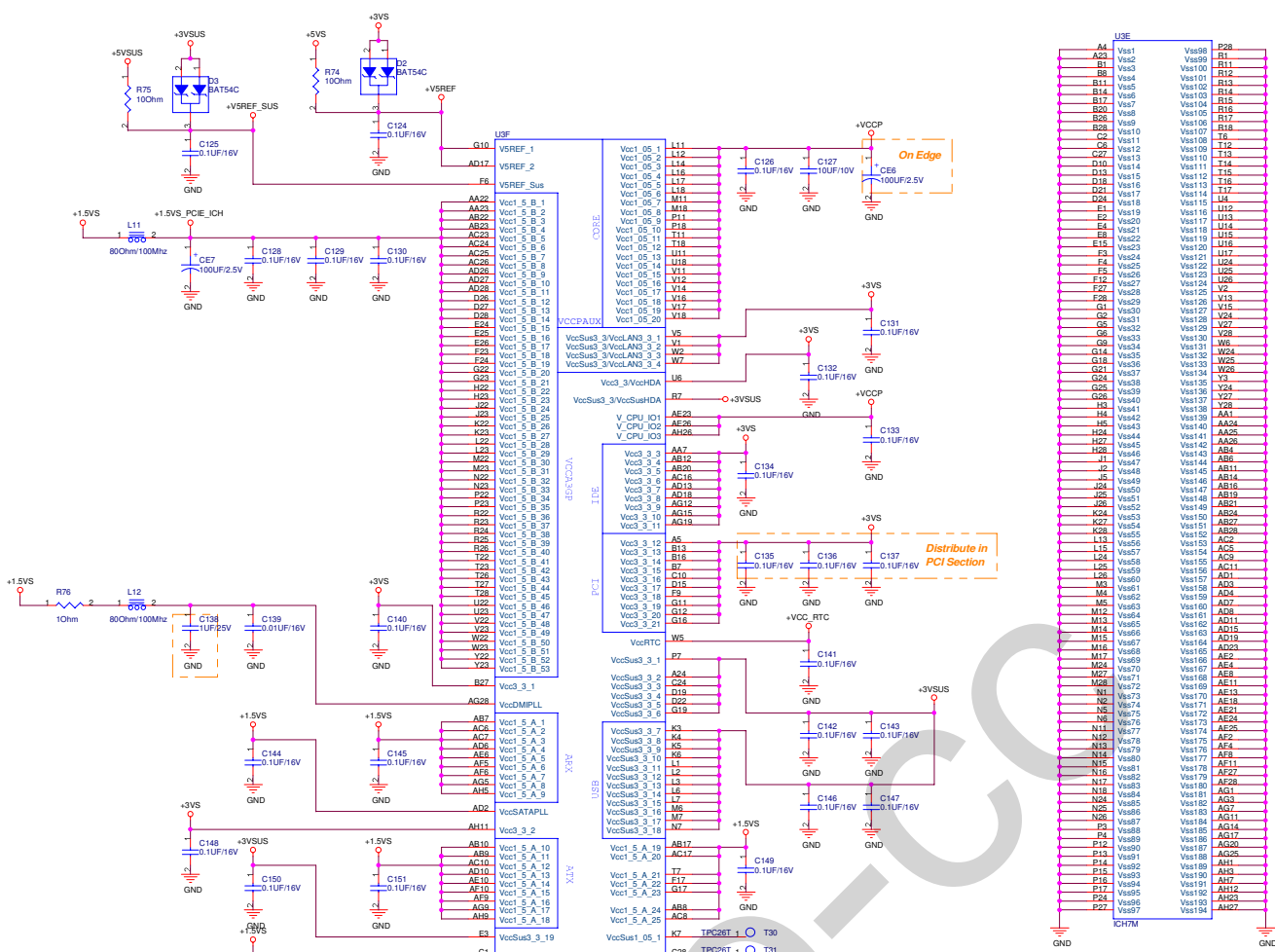
ASUS		Title : SB-ICH7M(2)	
ASUSTeK COMPUTER INC. NB1		Engineer: Frank Xu	
Size	Project Name	Rev	
Custom	F3Jr	2.0	
Date: 11/11/2006	Sheet: 16	of	94

<< Kennedy_Zhang >>



ASUS		Title : SB-ICH7M(3)	
ASUSTeK COMPUTER INC. NB1		Engineer: Frank Xu	
Size	Project Name	Rev	
Custom	F3Jr	2.0	
Date: 11/11/2006	Sheet: 17	of	94


<< Kennedy_Zhang >>



USE	P22
M	Ves1
A22	Ves8
B1	Ves100
B6	Ves11
B11	Ves12
B14	Ves13
B17	Ves14
B20	Ves15
B26	Ves16
B28	Ves17
B29	Ves18
B30	Ves19
B32	Ves20
B33	Ves21
B34	Ves22
B35	Ves23
B36	Ves24
B37	Ves25
B38	Ves26
B39	Ves27
B40	Ves28
B41	Ves29
B42	Ves30
B43	Ves31
B44	Ves32
B45	Ves33
B46	Ves34
B47	Ves35
B48	Ves36
B49	Ves37
B50	Ves38
B51	Ves39
B52	Ves40
B53	Ves41
B54	Ves42
B55	Ves43
B56	Ves44
B57	Ves45
B58	Ves46
B59	Ves47
B60	Ves48
B61	Ves49
B62	Ves50
B63	Ves51
B64	Ves52
B65	Ves53
B66	Ves54
B67	Ves55
B68	Ves56
B69	Ves57
B70	Ves58
B71	Ves59
B72	Ves60
B73	Ves61
B74	Ves62
B75	Ves63
B76	Ves64
B77	Ves65
B78	Ves66
B79	Ves67
B80	Ves68
B81	Ves69
B82	Ves70
B83	Ves71
B84	Ves72
B85	Ves73
B86	Ves74
B87	Ves75
B88	Ves76
B89	Ves77
B90	Ves78
B91	Ves79
B92	Ves80
B93	Ves81
B94	Ves82
B95	Ves83
B96	Ves84
B97	Ves85
B98	Ves86
B99	Ves87
B100	Ves88
B101	Ves89
B102	Ves90
B103	Ves91
B104	Ves92
B105	Ves93
B106	Ves94
B107	Ves95
B108	Ves96
B109	Ves97
B110	Ves98
B111	Ves99
B112	Ves100

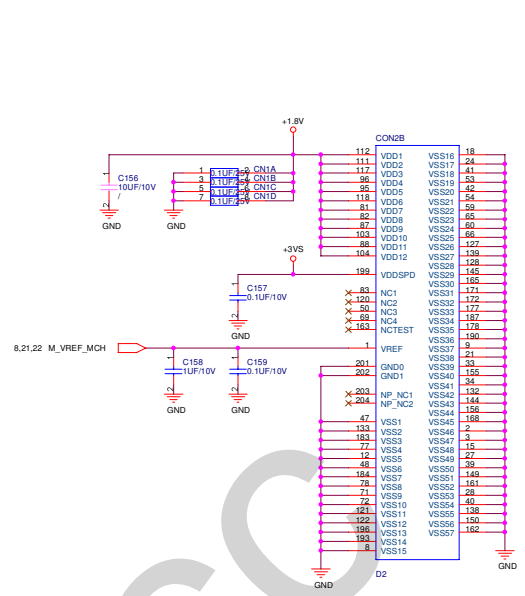
ASUS Title : SB-ICH7M(PWR)
 ASUSTeK COMPUTER INC. NBI Engineer: Frank Xu
 Size Project Name
 Custom F3Jr Rev
 Date: 11/11/2006 Sheet: 18 of 94

<< Kennedy_Zhang >>

		Title : Schematic page name	
ASUSTeK COMPUTER INC.		Engineer: Frank Xu	
Size	Project Name	Rev	
Custom	F3Jr	2.0	
Date: 08/11/2006	Sheet		19 of 94

<< Kennedy_Zhang >>

M_A_DQ[8:0] 10
REV Type



ASUS Title : DDR2 SO-DIMM
ASUSTeK COMPUTER INC. NB1 Engineer: Frank Xu

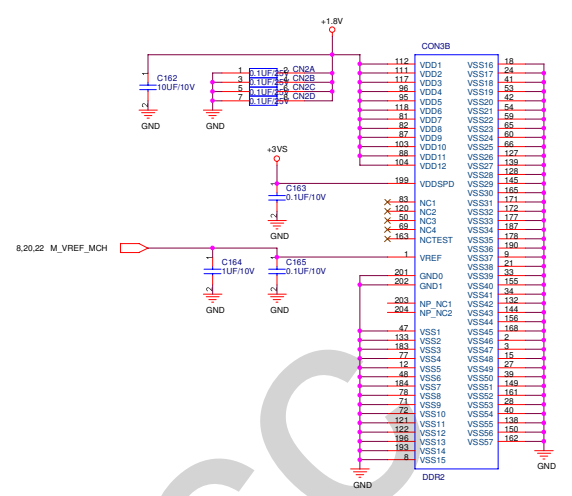
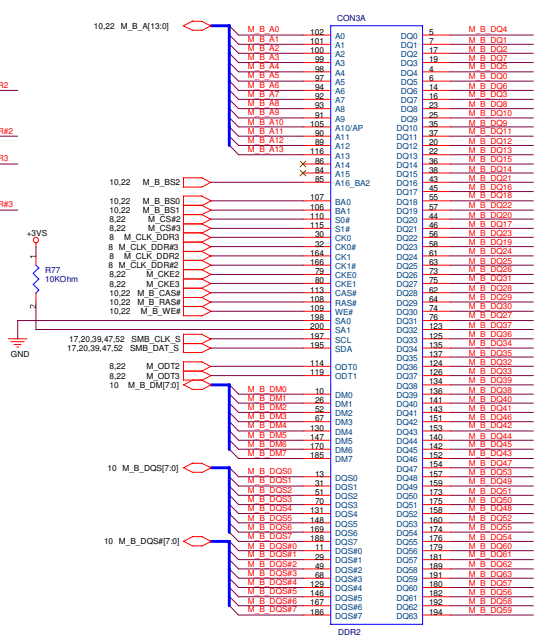
Size	Project Name	Rev
Custom	F3Jr	2.0

Date: 11/11/2006 Sheet: 20 of 94

<< Kennedy_Zhang >>

STD Type

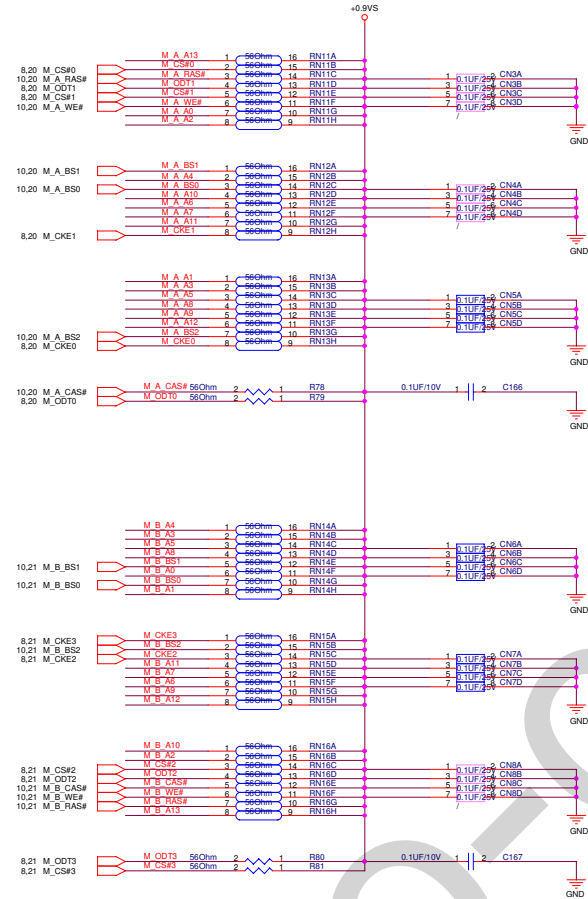
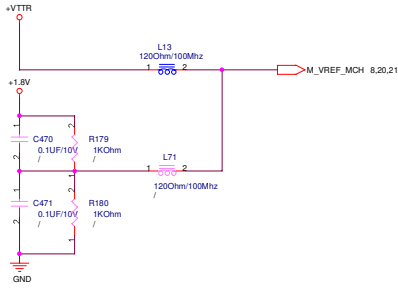
M_B_DQ[6:0] 10



ASUS Title : DDR2 SO-DIMM
ASUSTeK COMPUTER INC. NB1 Engineer: Frank Xu
Size Project Name
Custom F3Jr Rev
Date: 11/11/2006 Sheet: 21 of 94


<< Kennedy_Zhang >>

10.20 M_A_A13[0]
10.21 M_B_A13[0]

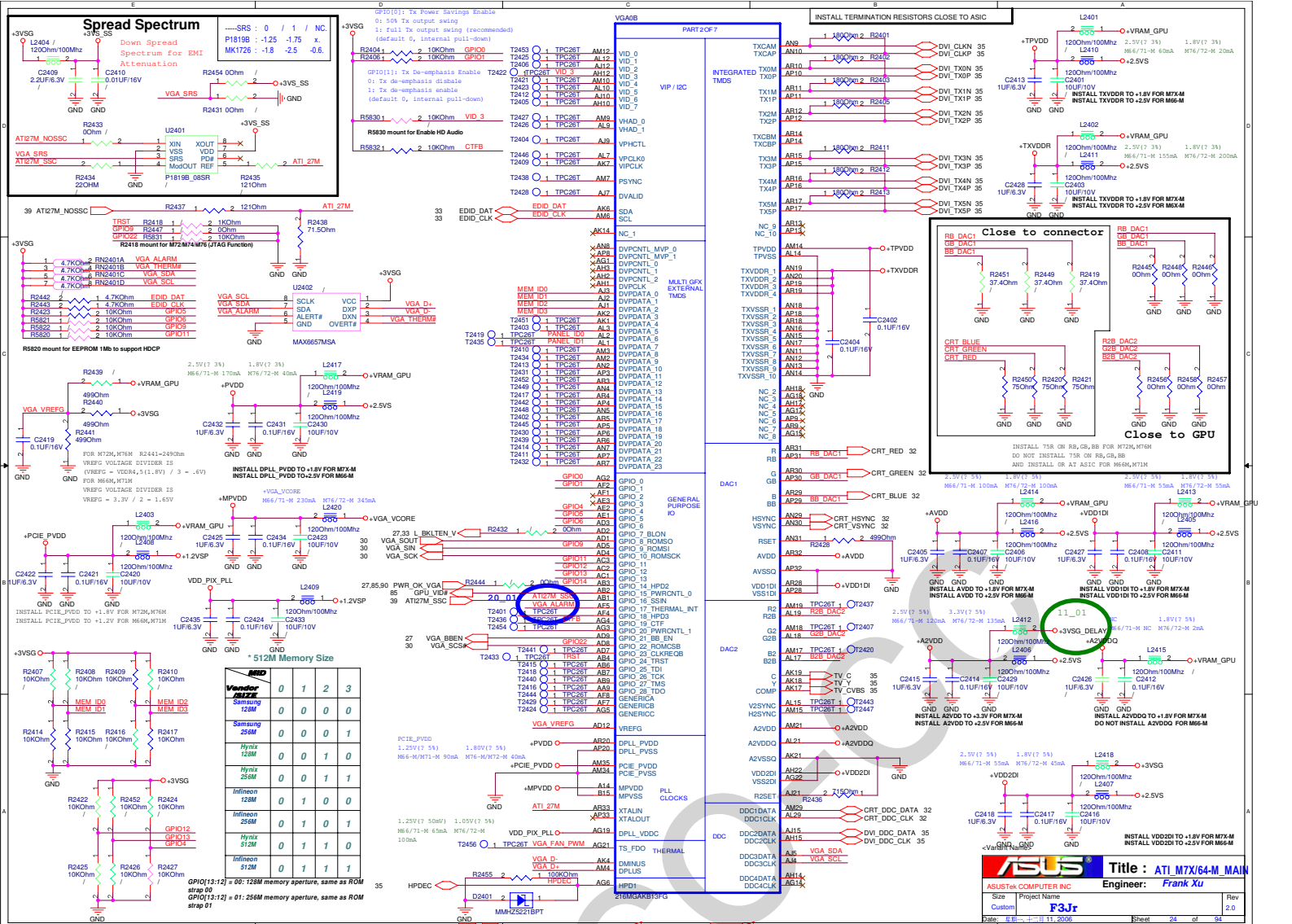


ASUS		Title : DDR2 TERMINATION	
ASUSTeK COMPUTER INC. NB1		Engineer: Frank Xu	
Size	Project Name		Rev
Custom	F3Jr		2.0
Date: 11/11/2006	Sheet: 22	of 94	

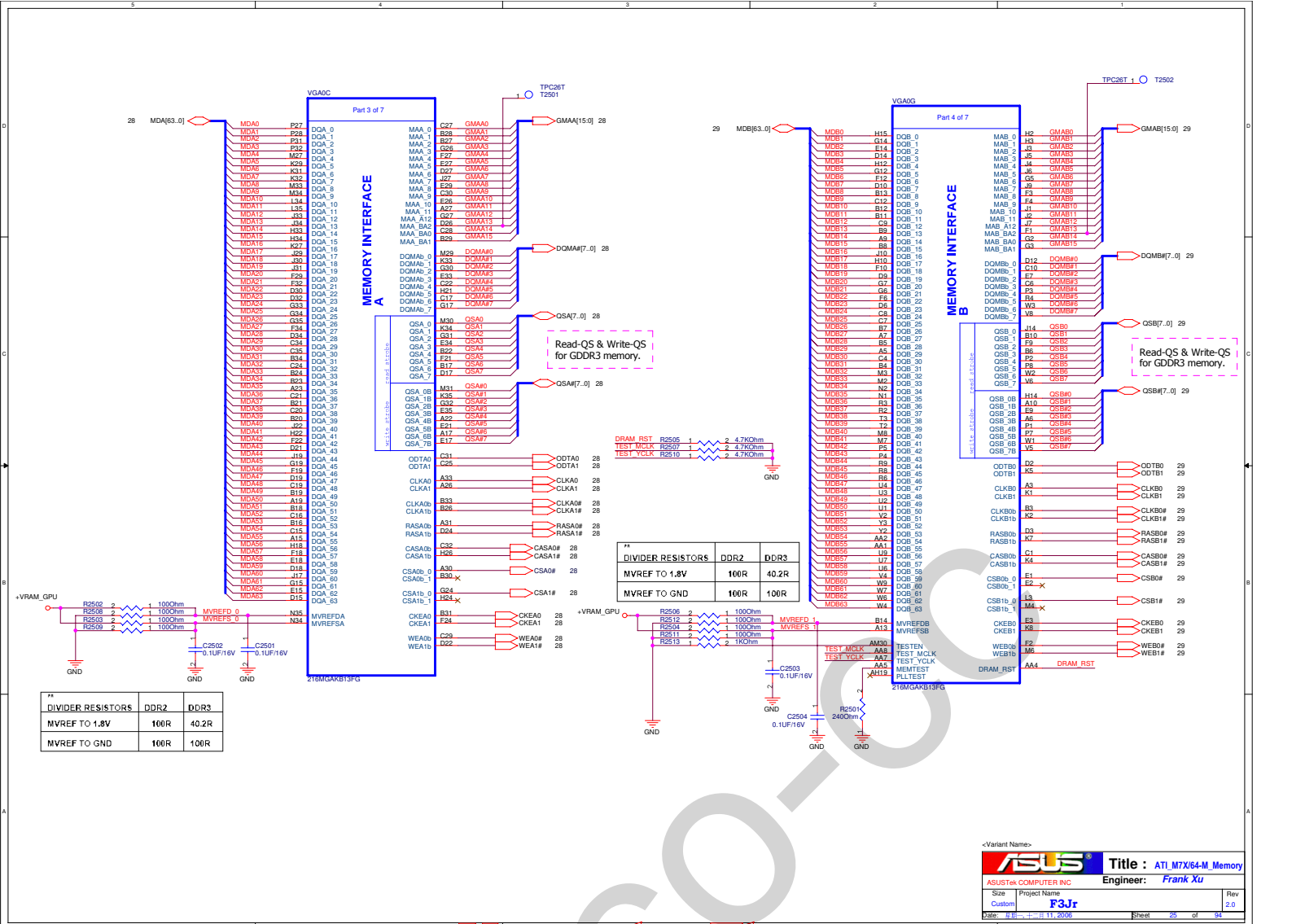
<< Kennedy_Zhang >>

		Title : Schematic page name	
ASUSTeK COMPUTER INC.		Engineer: Frank Xu	
Size	Project Name	Rev	
Custom	F3Jr	2.0	
Date: 08/11/2006	Sheet		29 of 94

<< Kennedy_Zhang >>



<< Kennedy_Zhang >>



Kennedy_Zhang

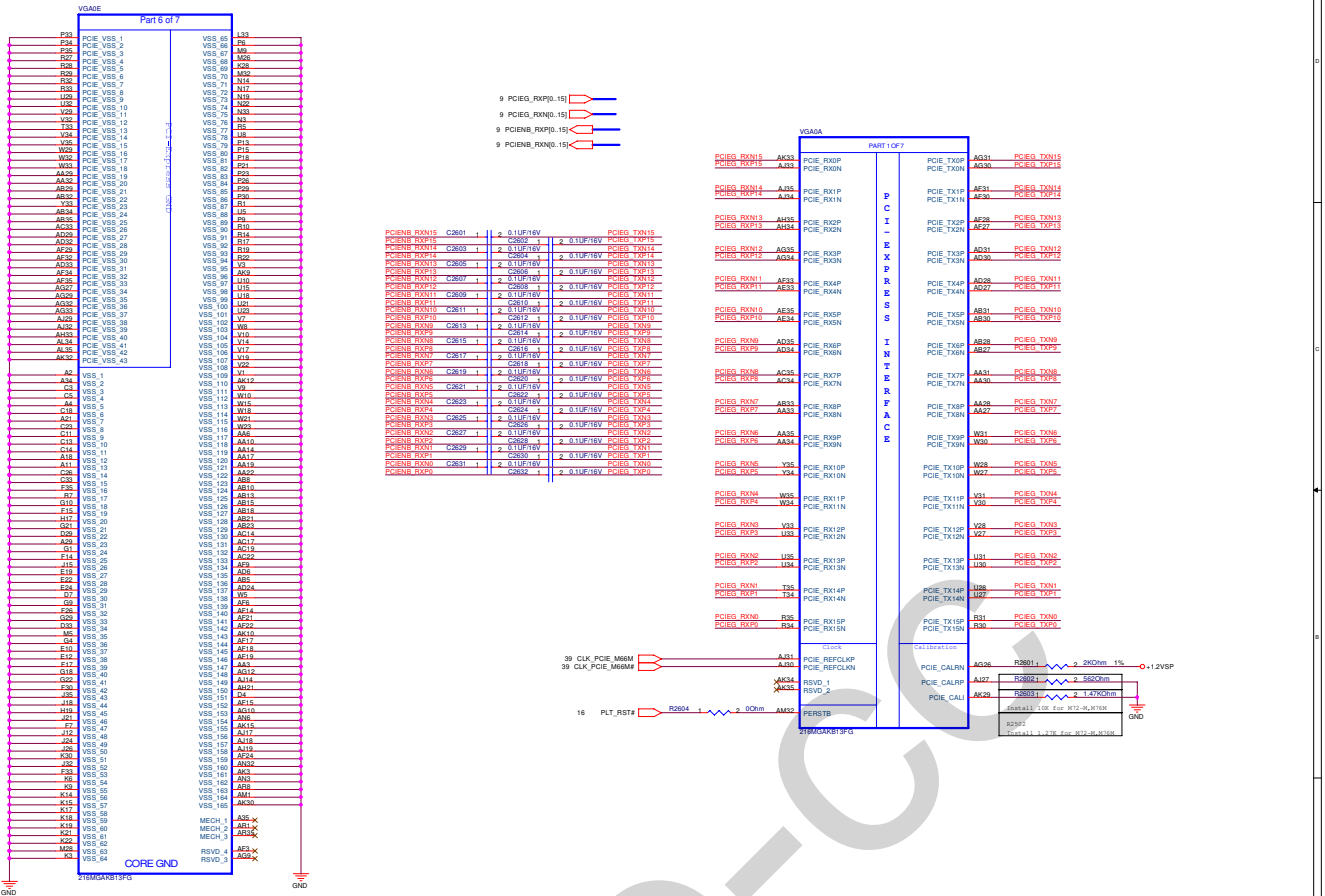
<Variant Name>

ASUS Title : **ATI_M7X64-M_Memory**

ASUSTeK COMPUTER INC Engineer: **Frank Xu**

Size	Project Name	Rev
Custom	F3Jr	2.0

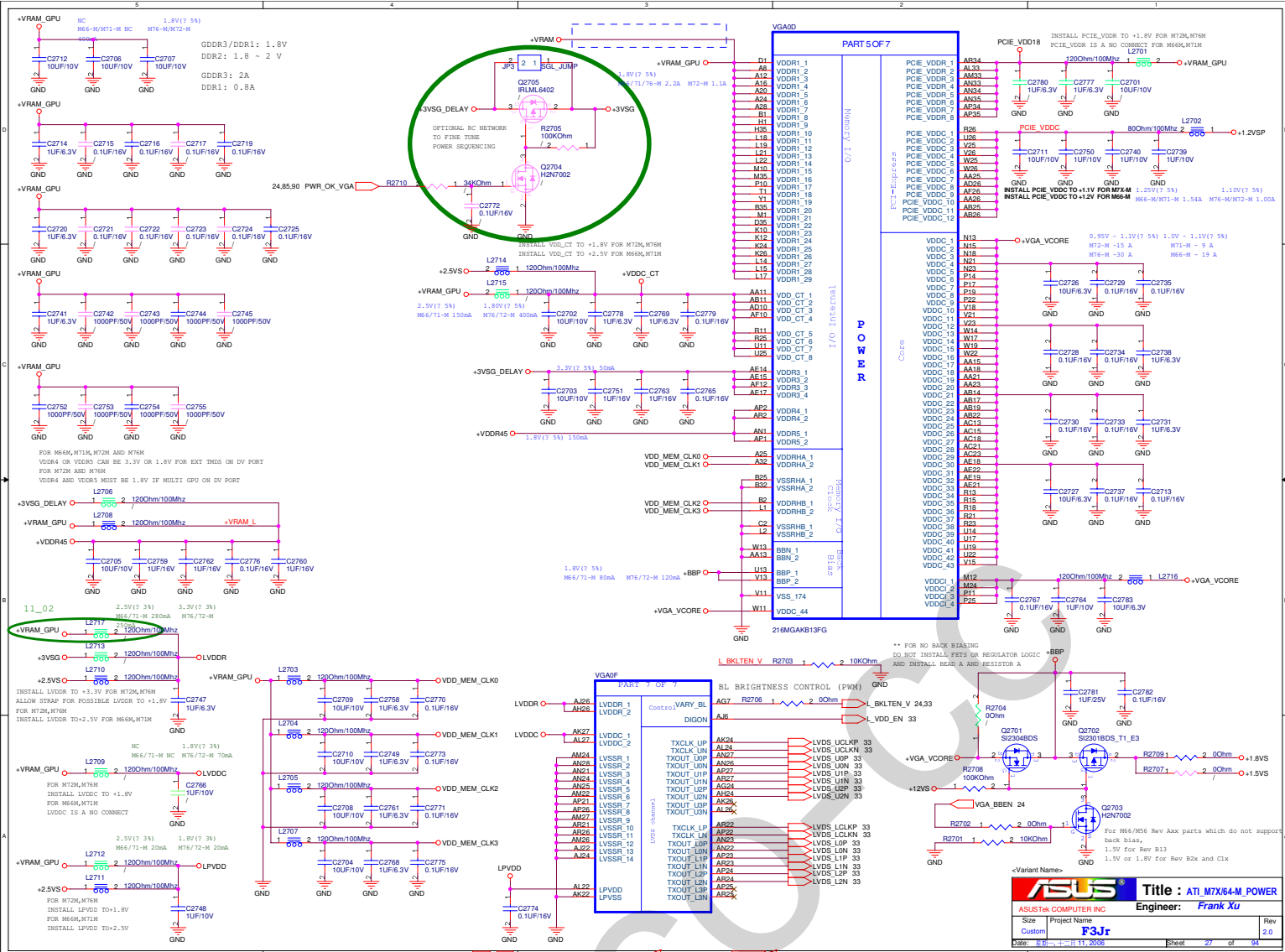
Date: 11/11/2008 Sheet 25 of 34



« Kennedy_Zhang »

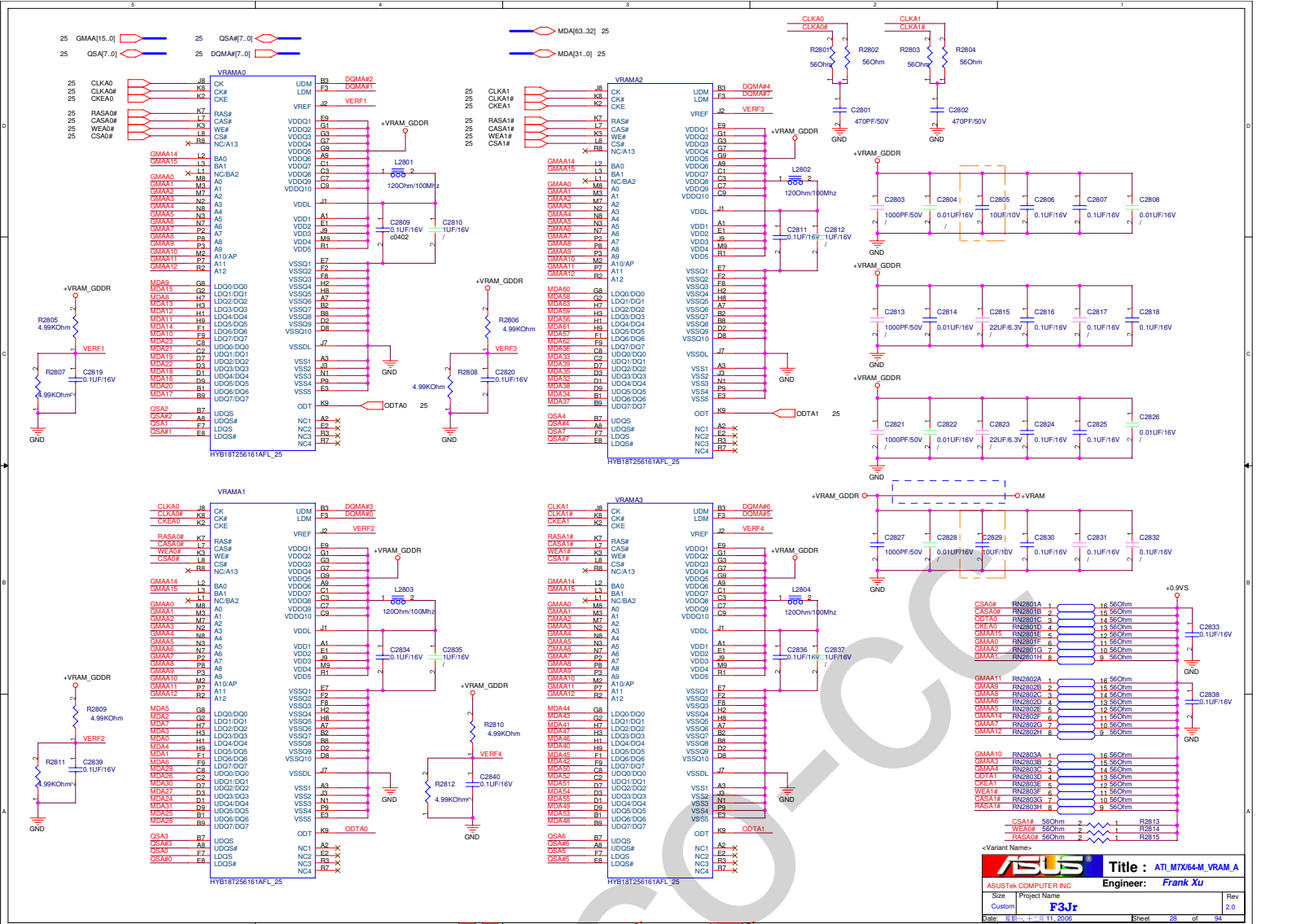
-Variant Name-

		Title :ATI_MTX64-M_PCI-E	
ASUSTAIwan COMPUTER INC		Engineer: Frank Xu	
Size C	Project Name F3Jr	Rev 2.0	Date 09/14/11 09:59
1	2	3	4



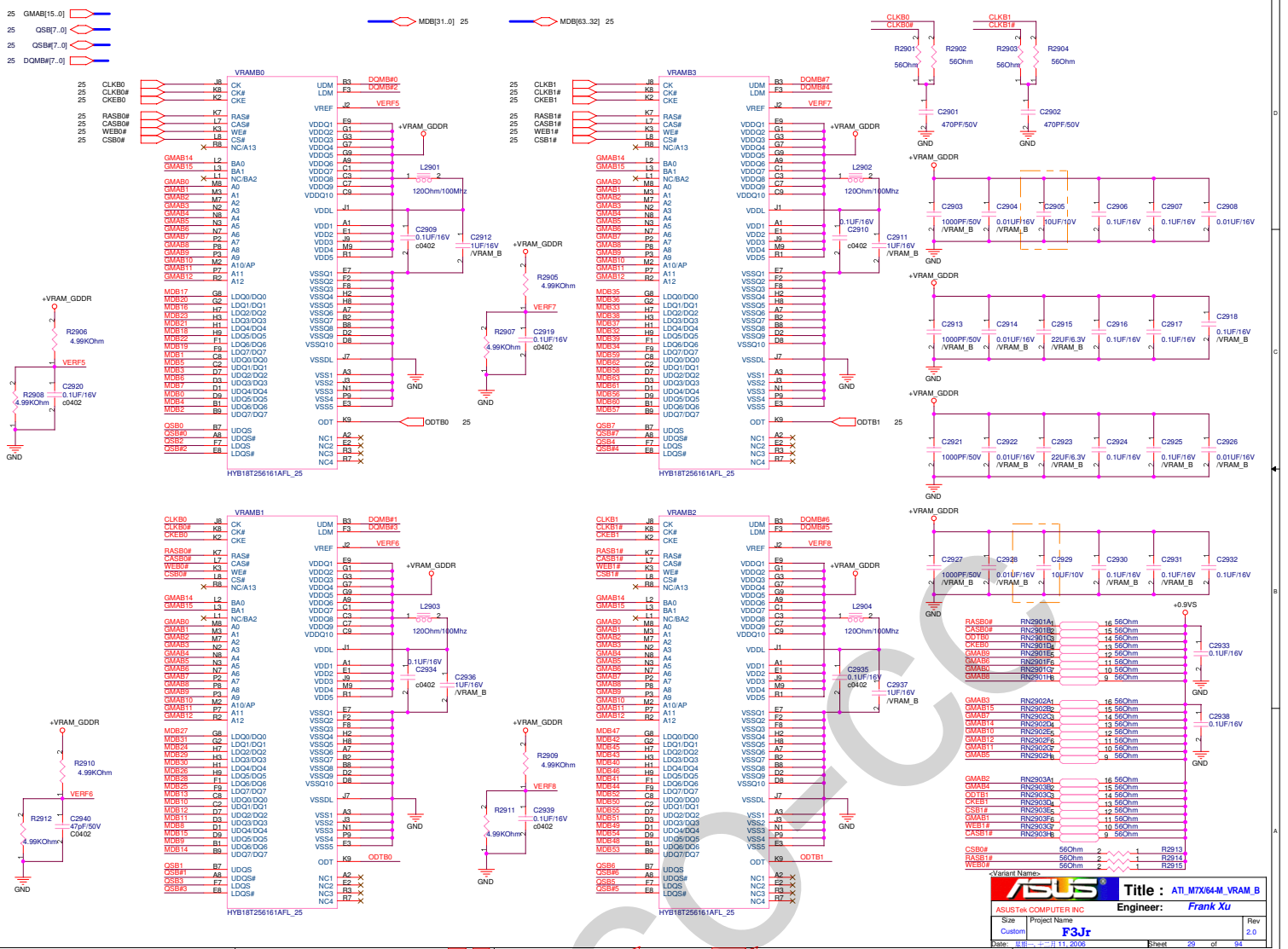
ASUS		Title : AT1_M7X64-M_POWER	
ASUSTek COMPUTER INC		Engineer: Frank Xu	
Size	Project Name	Rev	
Custom	F3Jr	2.0	
Date: 11/11/2008	Sheet: 27	of	34

<< Kennedy_Zhang >>



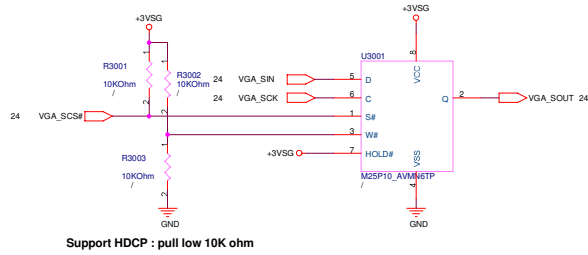
ASUS		Title : AT1 M7X64-M VRAM A	
ASUSTek COMPUTER INC		Engineer: Frank Xu	
Size	Project Name	Rev	
Custom	F3Jr	2.0	
Date: 11/11/2008	Sheet: 28	of	34

<< Kennedy_Zhang >>



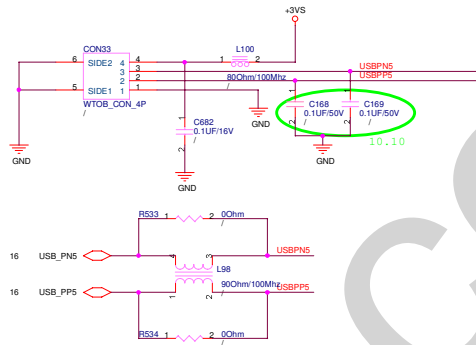
ASUS		Title : AT1.MTX64M.VRAM.B	
ASUSTek COMPUTER INC		Engineer: Frank Xu	
Size	Project Name	Rev	
Custom	F3Jr	2.0	
Date: 11/11/2006	Sheet 26	of 64	

« Kennedy_Zhang »



ASUS		Title : VGA SPI ROM	
ASUSTeK COMPUTER INC.		Engineer: Frank Xu	
Size	Project Name		Rev
Custom	F3Jr		2.0
Date: 2006.11.11	DATE: 11/20/06	Sheet: 30	of 34

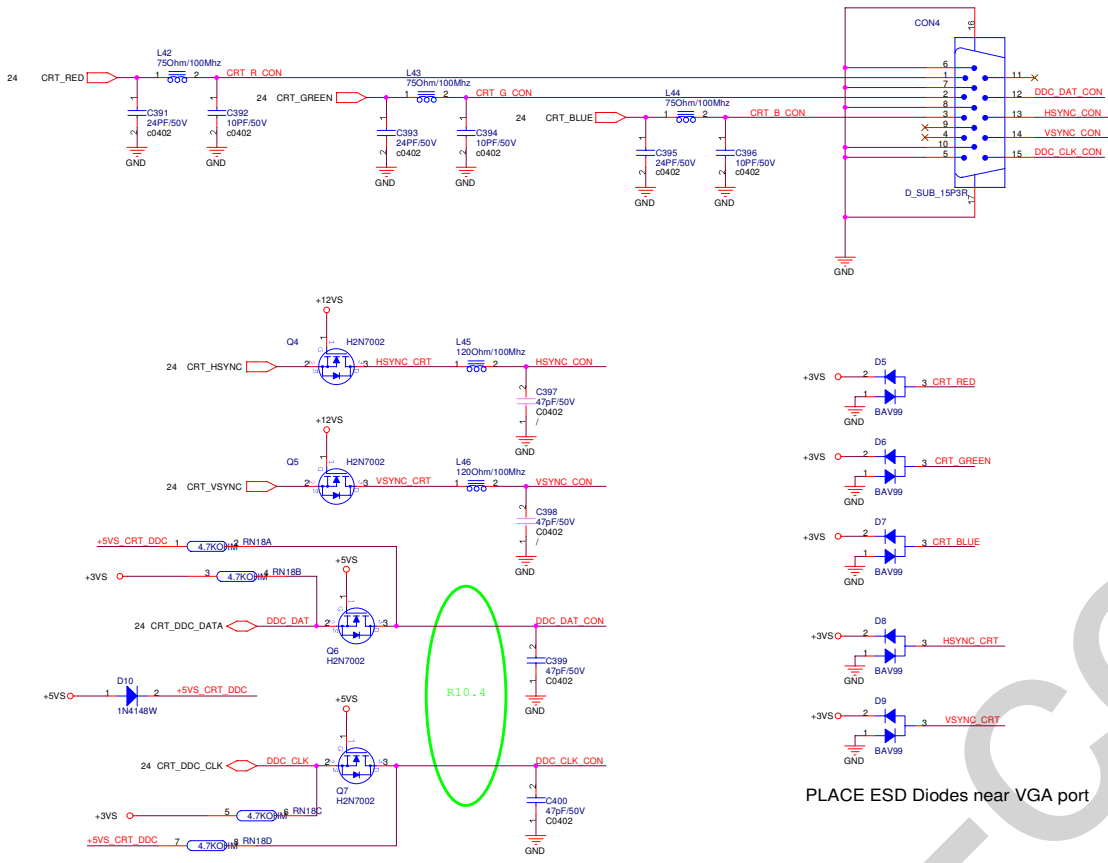
<< Kennedy_Zhang >>



ASUS		Title : FINGER PRINT	
ASUSTeK COMPUTER INC.		Engineer: Frank Xu	
Size	Project Name		Rev
Custom	F3Jr		2.0
Date: 2006.11.11		Sheet: 81 of 94	

<< Kennedy_Zhang >>

VF-CO-CC



PLACE ESD Diodes near VGA port

ASUS		Title : CRT	
ASUSTeK COMPUTER INC.		Engineer: Frank Xu	
Size	Project Name		Rev
Custom	F3Jr		2.0
Date: 01/11/2006		Sheet 32 of 94	

<< Kennedy_Zhang >>

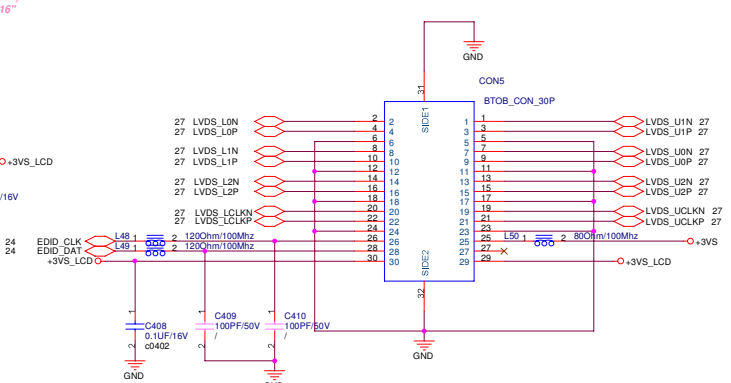
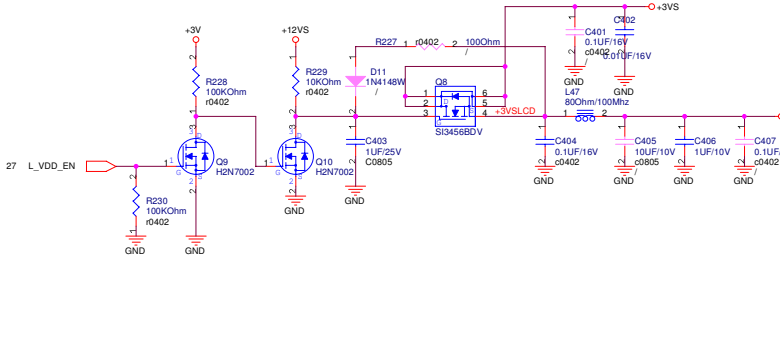
V.F. CO-CC

LCD Backlight Control

LCD LVDS Interface

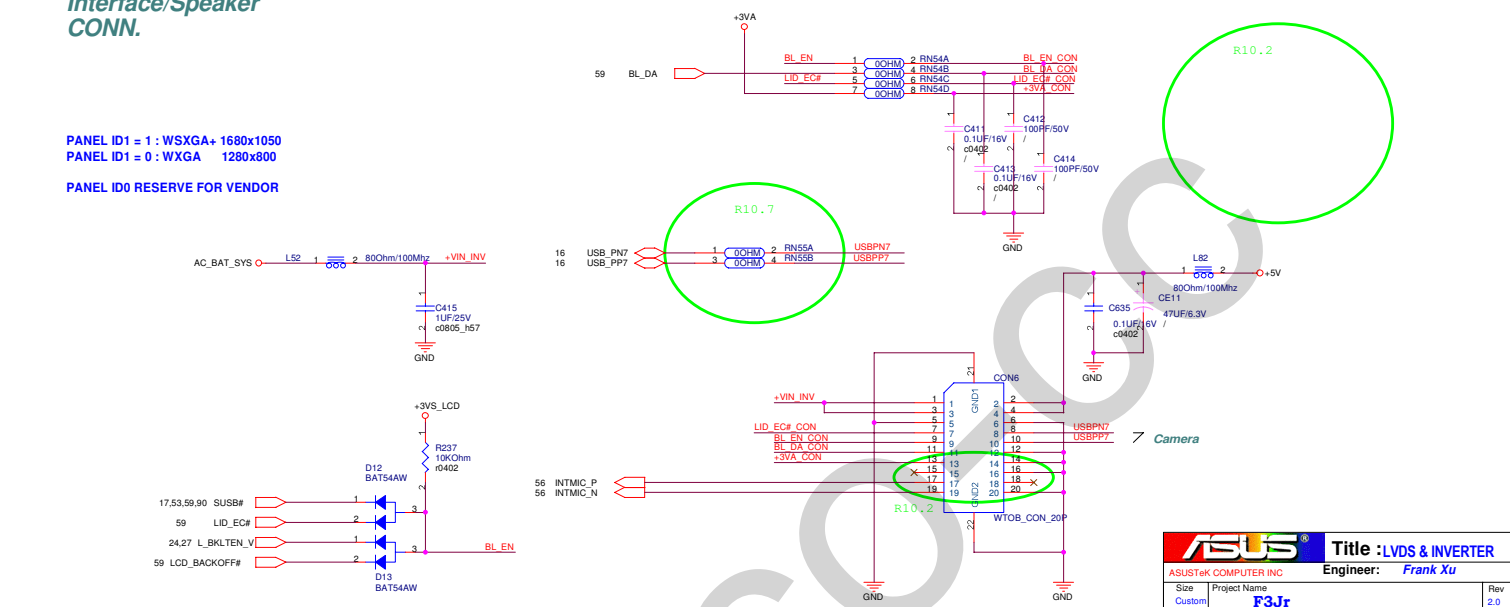
Cable Requirement:
 Impedance: 100 ohm +/- 10%
 Length Mismatch <= 10 mils
 Twisted Pair(Not Ribbon)
 Maximum Length <= 16"

LCD Power



INVERTER Interface/Speaker CONN.


PANEL ID1 = 1 : WSXGA+ 1680x1050
 PANEL ID1 = 0 : WXGA 1280x800
 PANEL ID0 RESERVE FOR VENDOR



ASUS		Title :LVDS & INVERTER	
ASUSTeK COMPUTER INC.		Engineer: Frank Xu	
Size	Project Name		Rev
Custom	F3Jr		2.0
Date: 01/11/2006		Sheet 33	of 94

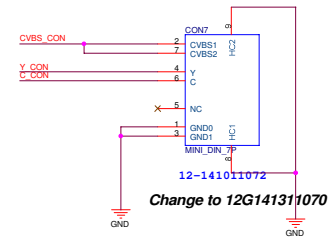
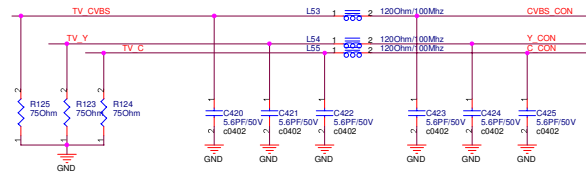
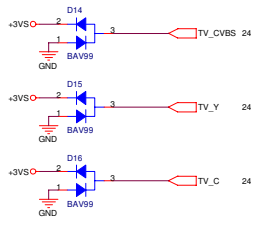
<< Kennedy_Zhang >>

W.F.

		Title : Schematic page name	
ASUSTeK COMPUTER INC.		Engineer: Frank Xu	
Size	Project Name		Rev
Custom	F3Jr		2.0
Date: 08/11/2006		Sheet	34 of 34

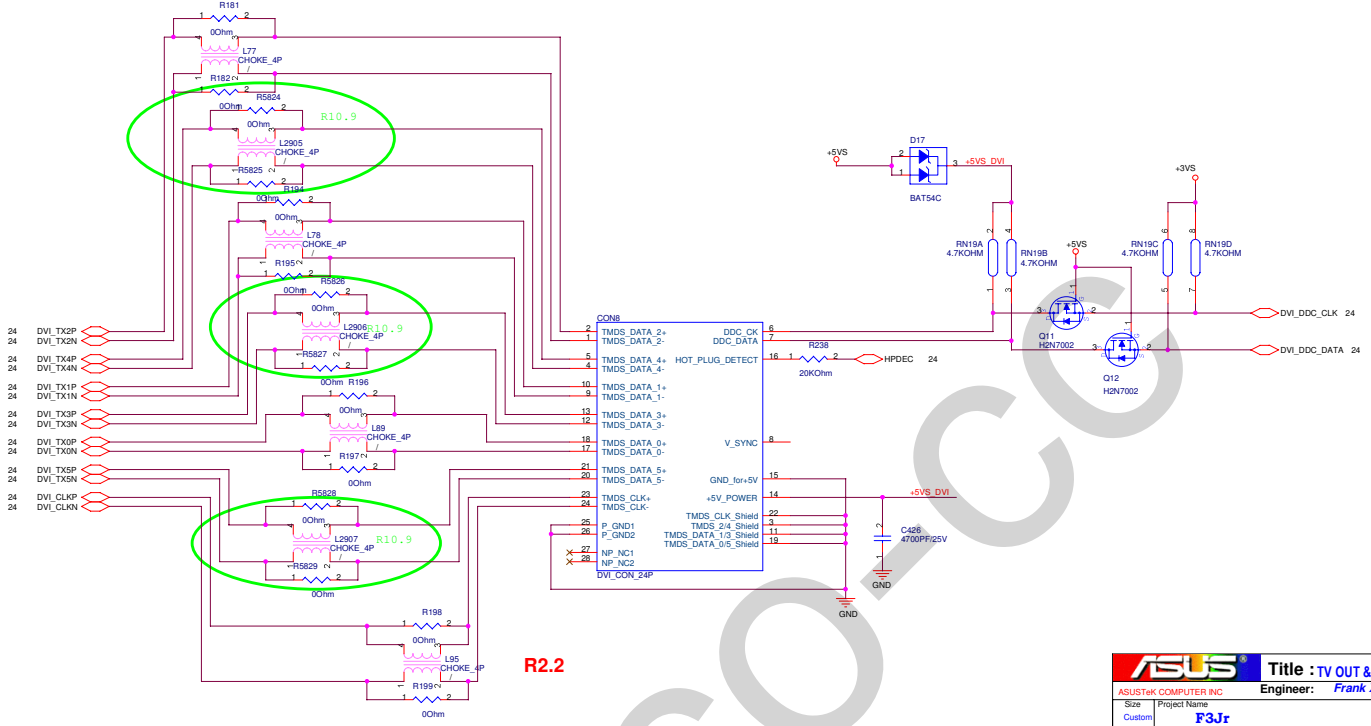
<< Kennedy_Zhang >>

TV OUT



PLACE ESD Diodes near TV port

DVI




ASUS		Title : TV OUT & DVI CON.	
ASUSTeK COMPUTER INC.		Engineer: Frank Xu	
Size	Project Name		Rev
Custom	F3Jr		2.0
Date: 11/11/2006	Sheet: 85	of 94	

<< Kennedy_Zhang >>

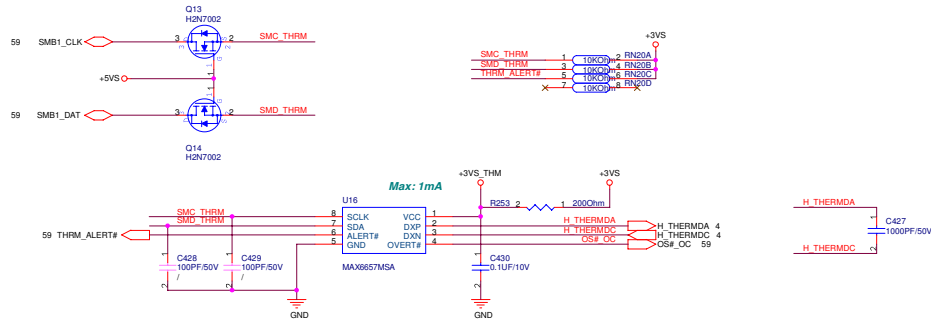
WVF-CONF

V.F.-CO-CC

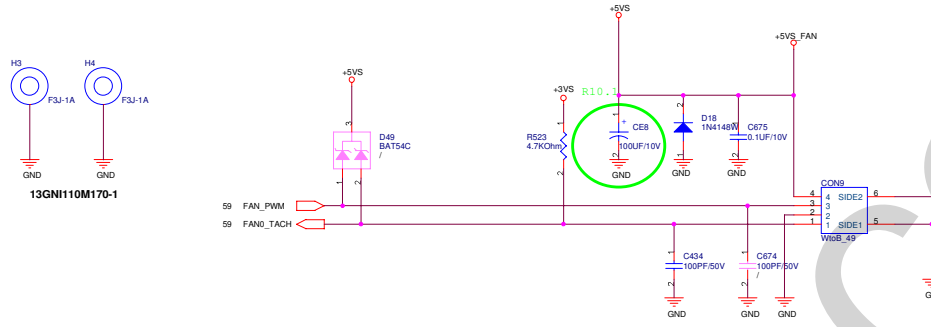
<< Kennedy_Zhang >>

		Title : Schematic page name	
ASUSTeK COMPUTER INC.		Engineer: Frank Xu	
Size	Project Name		Rev
Custom	F3Jr		2.0
Date: 2006.11.11		Sheet	36 of 94

Thermal Sensor



DC FAN Control




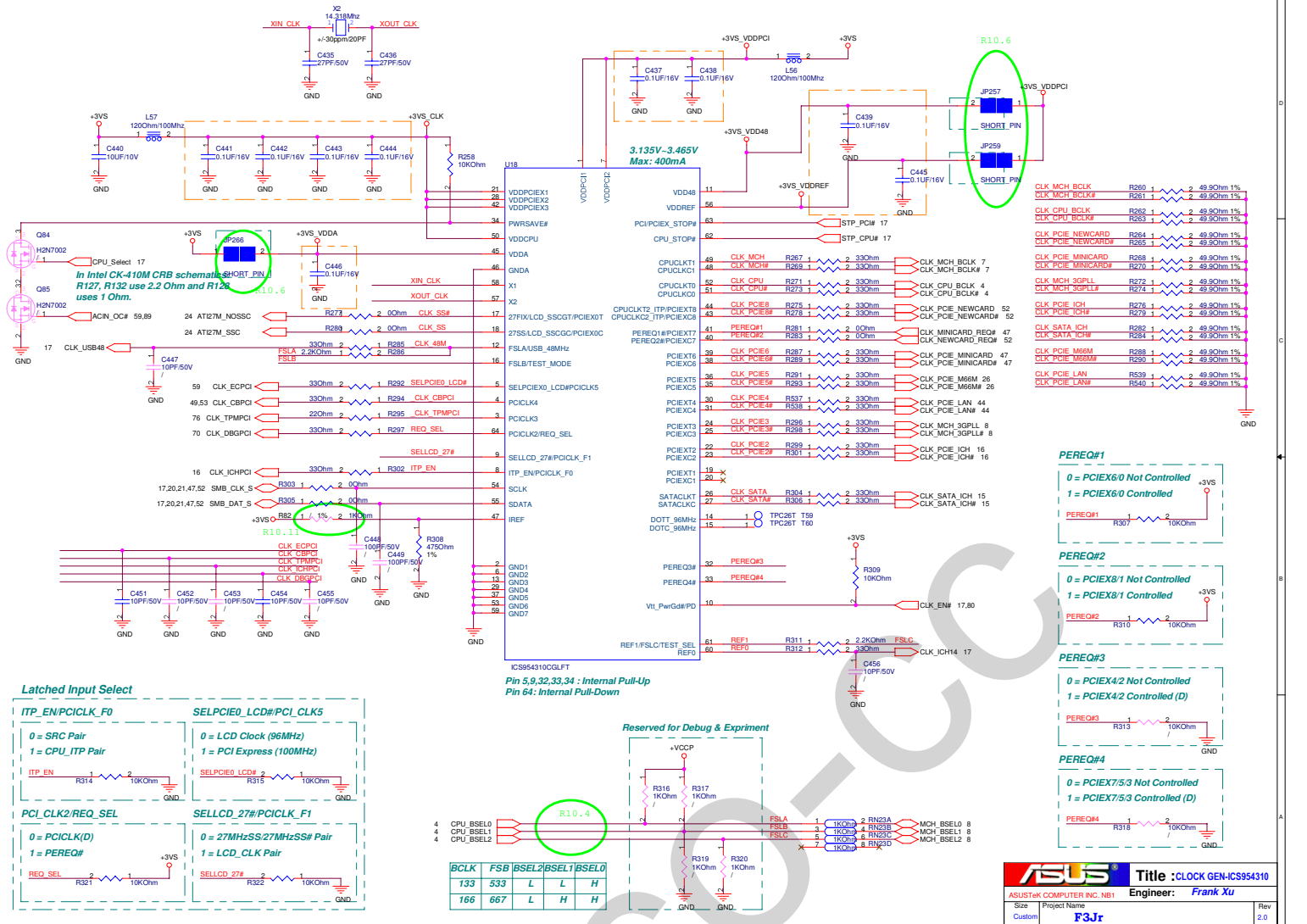
ASUS		Title : THER SENSOR & FAN	
ASUSTeK COMPUTER INC. NB1		Engineer: Frank Xu	
Size	Project Name	Rev	
Custom	F3Jr	2.0	
Date: 2006.11.11	Sheet: 37	of	94

<< Kennedy_Zhang >>

V.F.-CO-CC


<< Kennedy_Zhang >>

		Title : Schematic page name	
ASUSTeK COMPUTER INC.		Engineer: Frank Xu	
Size	Project Name	Rev	
Custom	F3Jr	2.0	
Date: 2006.11.11		Sheet: 38 of 94	

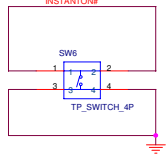
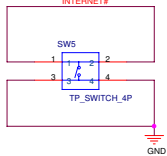
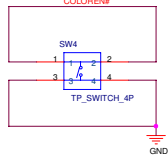
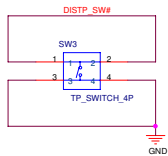
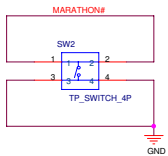
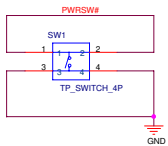


ASUS Title :CLOCK GEN-IC9854310
 ASUSTeK COMPUTER INC. NB1 Engineer: Frank Xu
 Size Project Name
 Custom F3Jr Rev 2.0
 Date: 11/11/2006 Sheet 99 of 94

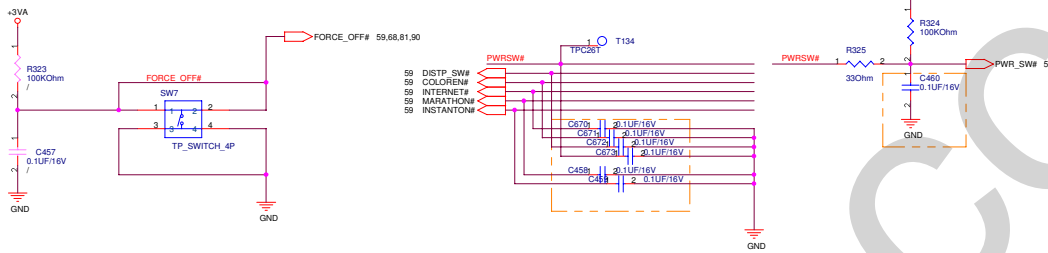
<< Kennedy_Zhang >>

		Title : Schematic page name	
ASUSTeK COMPUTER INC.		Engineer: Frank Xu	
Size	Project Name	Rev	
Custom	F3Jr	2.0	
Date: 08/11/2006	Sheet 40		of 94

<< Kennedy_Zhang >>



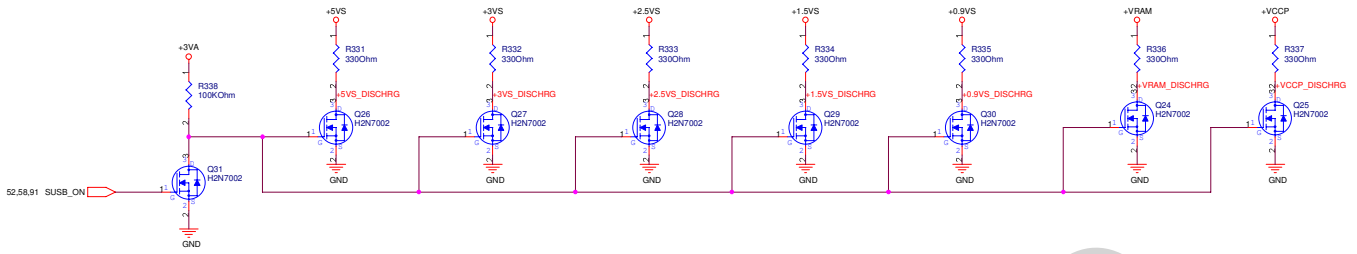
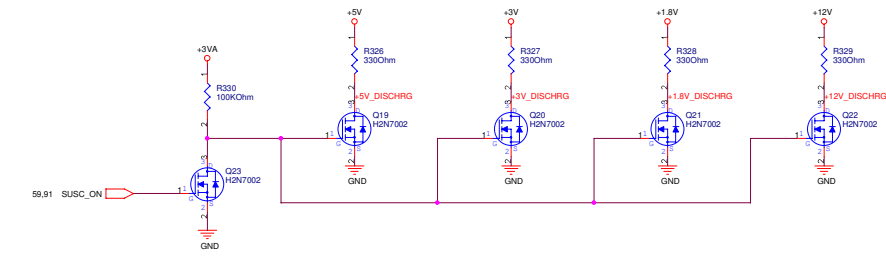
SHUT_DOWN#



ASUS		Title : Power on & Res Freq	
ASUSTeK COMPUTER INC.		Engineer: Frank Xu	
Size	Project Name	Rev	
Custom	F3Jr	2.0	
Date: 08/11/2006	Sheet: 41	of	94

<< Kennedy_Zhang >>


V.F.-GO-CC



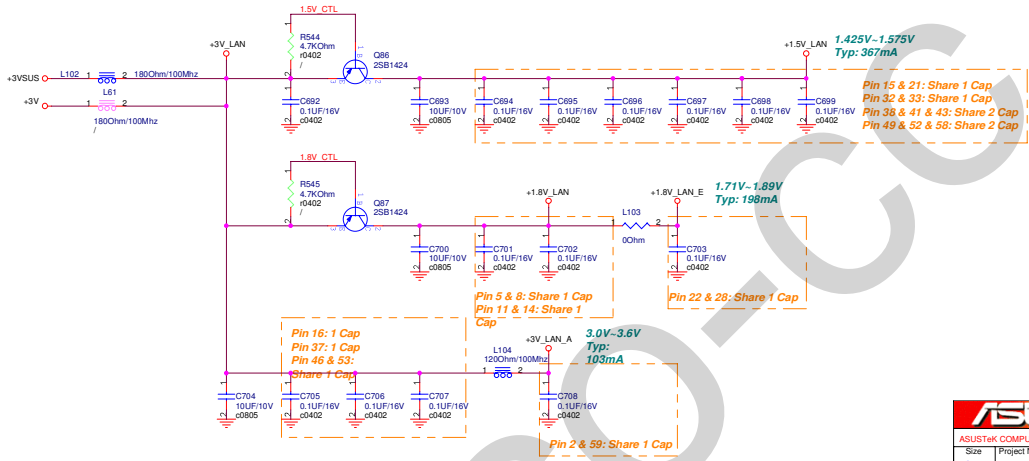
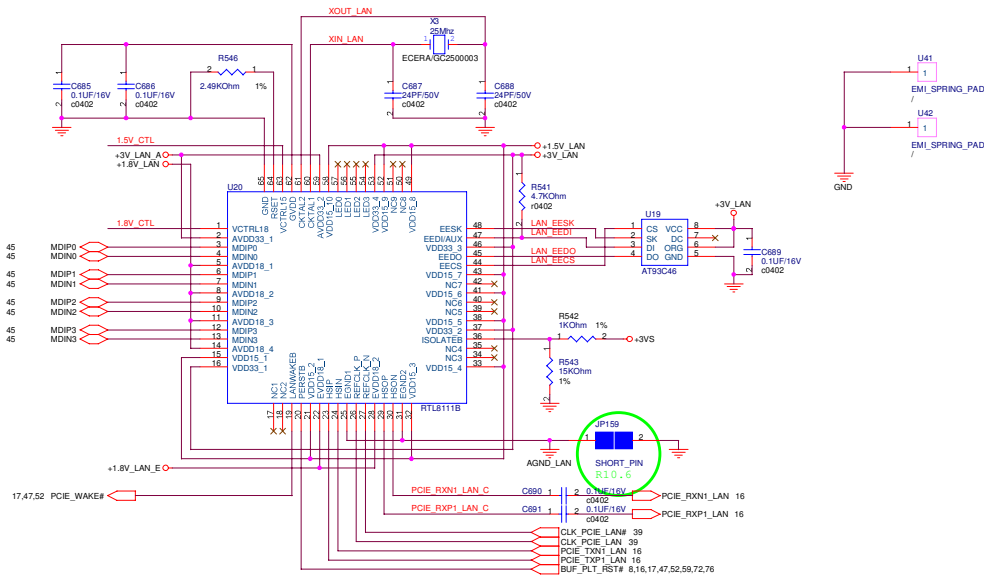
ASUS		Title : DISCHARGE & EMI CAP	
ASUSTeK COMPUTER INC. NB1		Engineer: Frank Xu	
Size	Project Name		Rev
Custom	F3Jr		2.0
Date: 2006.11.11	Sheet: 42	of 94	

<< Kennedy_Zhang >>

VF-CO-CC

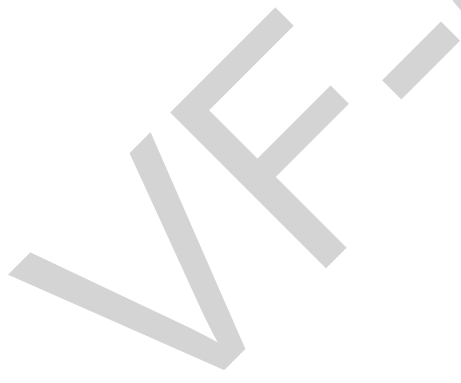
		Title : Schematic page name	
ASUSTeK COMPUTER INC.		Engineer: Frank Xu	
Size	Project Name	Rev	
Custom	F3Jr	2.0	
Date: 08/11/2006	Sheet		43 of 94

<< Kennedy_Zhang >>

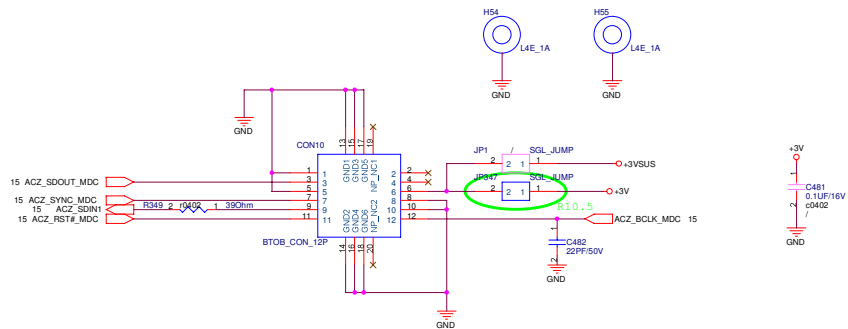


ASUS		Title : LAN-RTL8111B	
ASUSTeK COMPUTER INC. NB1		Engineer: Frank Xu	
Size	Project Name	Rev	
Custom	F3Jr	2.0	
Date: 11/11/2006	Sheet: 44	of	94

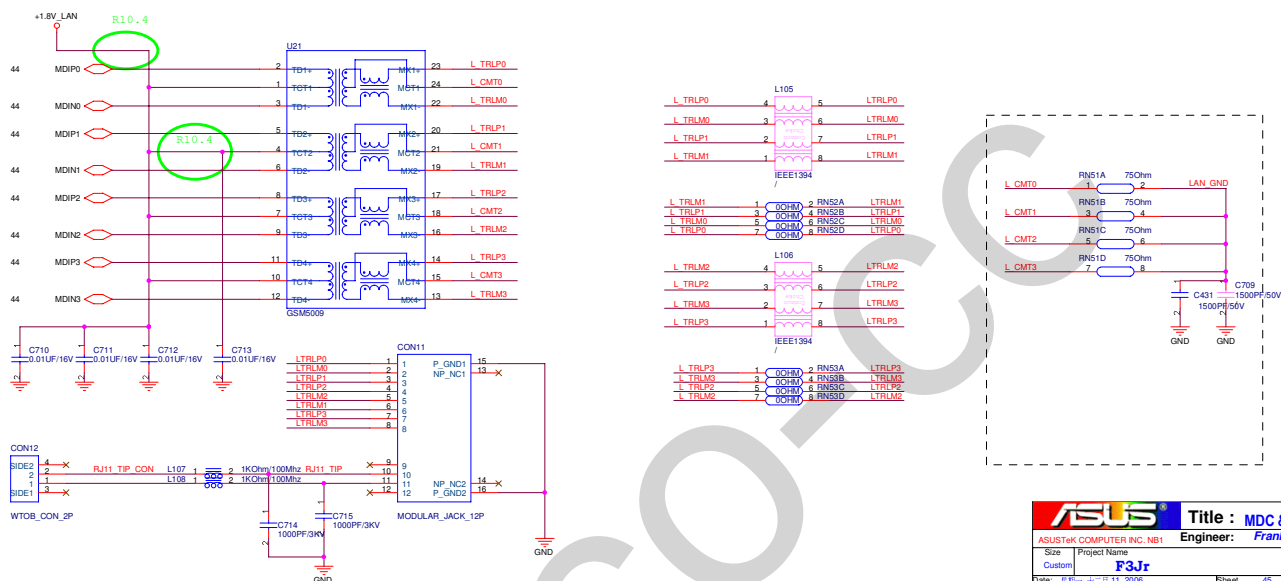
<< Kennedy_Zhang >>



MDC CONN.



LAN CONN.




ASUS		Title : MDC & RJ45+11	
ASUSTeK COMPUTER INC. NB1		Engineer: Frank Xu	
Size	Project Name		Rev
Custom	F3Jr		2.0
Date: 2008.11.11	Sheet: 45	of 94	

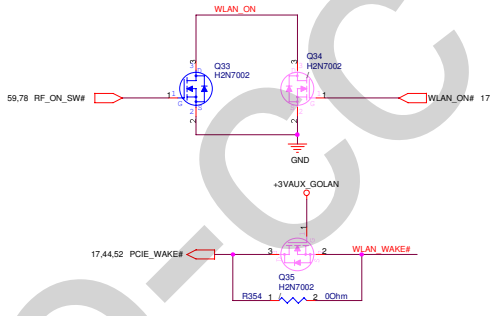
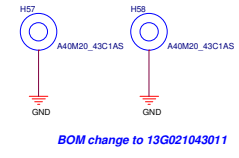
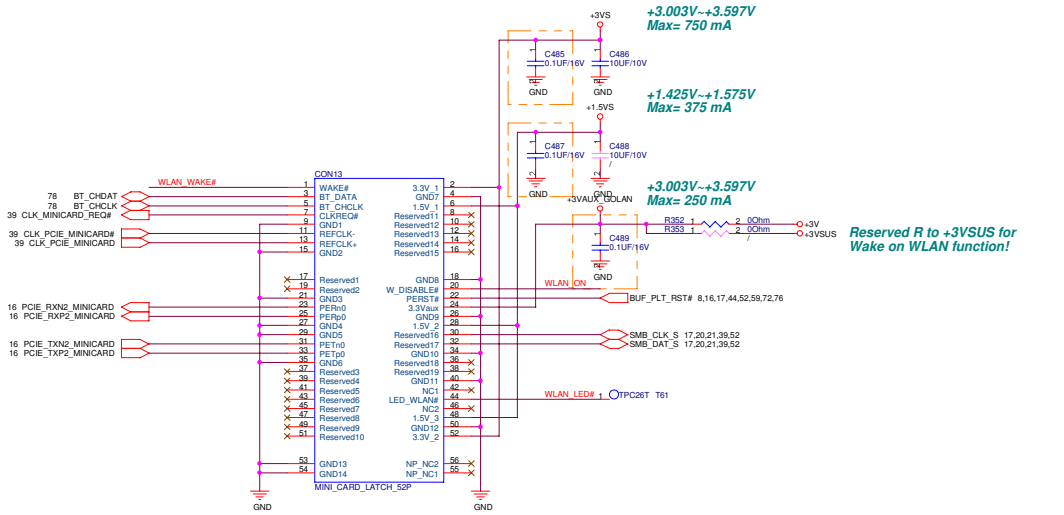
<< Kennedy_Zhang >>

W.F. CO.

V.F.-CO-CC

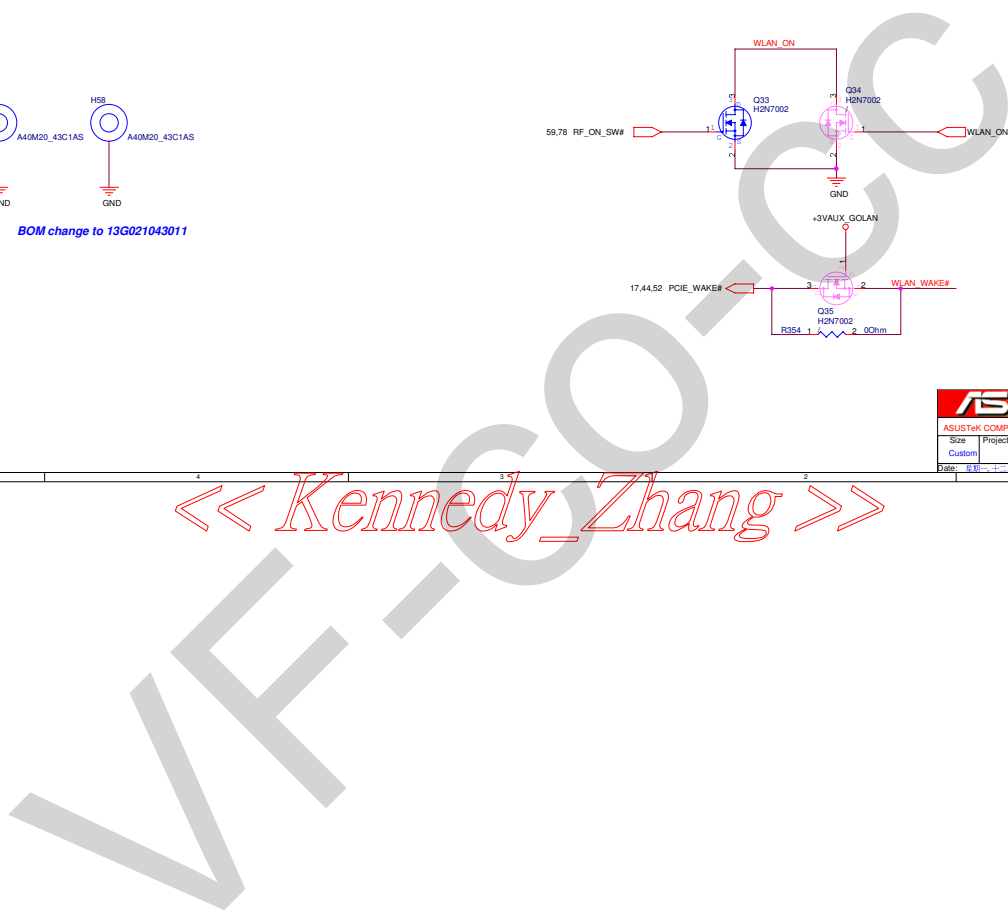
<< Kennedy_Zhang >>

		Title : Schematic page name	
ASUSTeK COMPUTER INC.		Engineer: Frank Xu	
Size	Project Name	Rev	
Custom	F3Jr	2.0	
Date: 2006.11.11		Sheet	46 of 94




ASUS		Title : MINICARD	
ASUSTeK COMPUTER INC. NB1		Engineer: Frank Xu	
Size	Project Name		Rev
Custom	F3Jr		2.0
Date: 11/11/2006		Sheet: 47	of 94

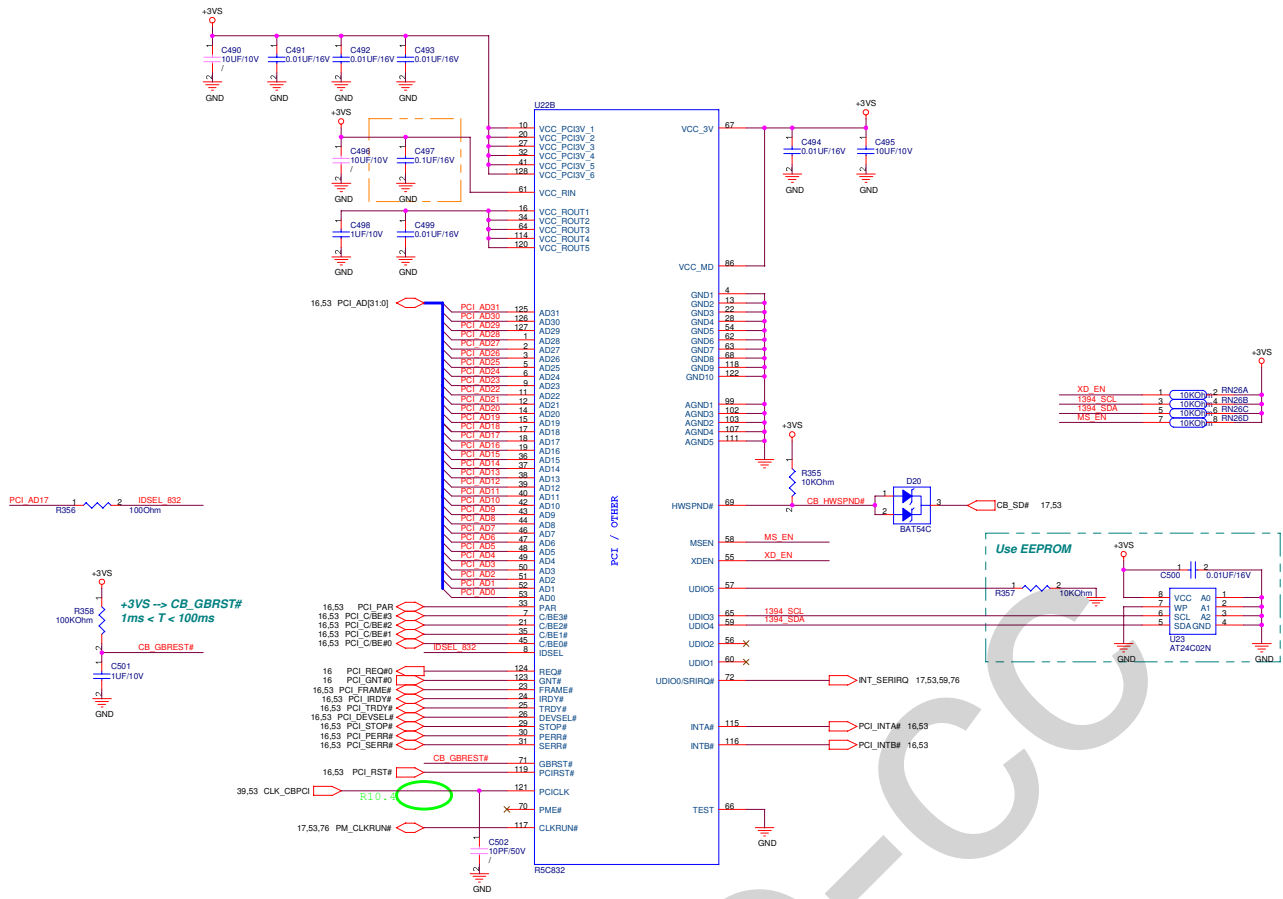
<< Kennedy_Zhang >>



VF-CO-CC

<< Kennedy_Zhang >>

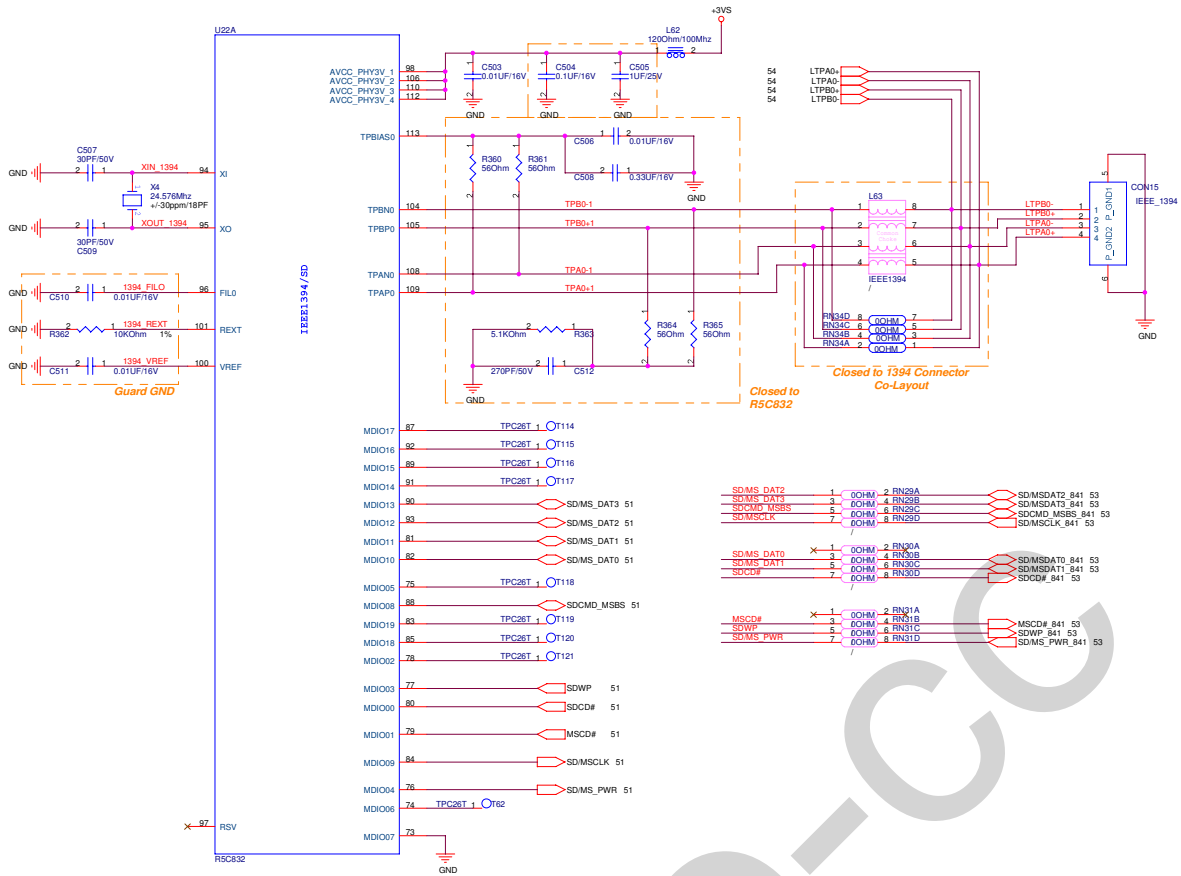
		Title : Schematic page name	
ASUSTeK COMPUTER INC.		Engineer: Frank Xu	
Size	Project Name	Rev	
Custom	F3Jr	2.0	
Date: 2006.11.11		Sheet 48 of 94	



ASUS		Title :CARD1394-R5C832(1)	
ASUSTeK COMPUTER INC. NB1		Engineer: Frank Xu	
Size	Project Name	Rev	
Custom	F3Jr	2.0	
Date: 11/11/2006	Sheet: 49	of	94

<< Kennedy_Zhang >>

VIEW

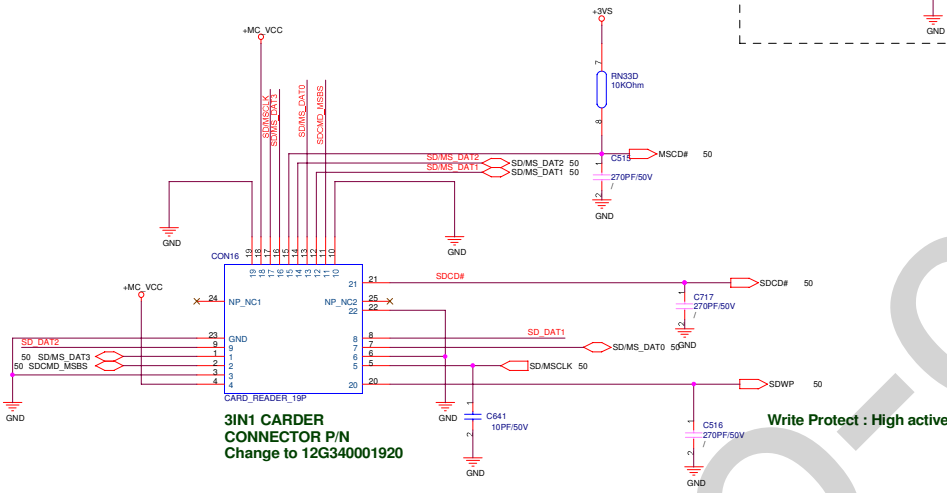
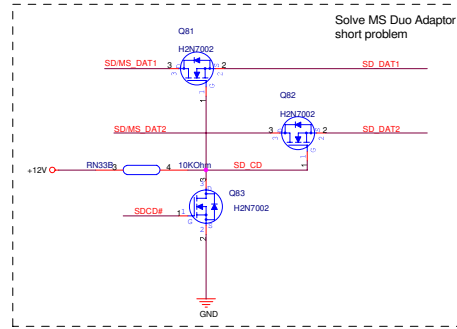
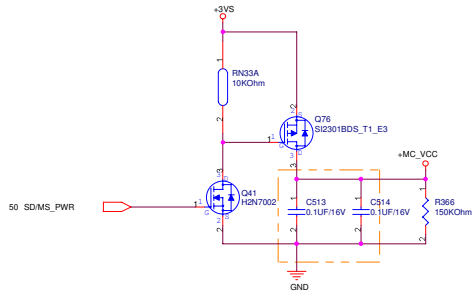


SDMS_DAT2	1	DOHV	2	RN29A	DOHV	2	RN29A	SDMSDAT2_841	53
SDMS_DAT3	2	DOHV	4	RN29B	DOHV	4	RN29B	SDMSDAT3_841	53
SDCMD_MSBS	5	DOHV	6	RN29C	DOHV	6	RN29C	SDCMD_MSBS_841	53
SDMSCLK	7	DOHV	8	RN29D	DOHV	8	RN29D	SDMSCLK_841	53
SDMS_DAT0	1	DOHV	2	RN30A	DOHV	2	RN30A	SDMSDAT0_841	53
SDMS_DAT1	3	DOHV	4	RN30B	DOHV	4	RN30B	SDMSDAT1_841	53
SDCMD#	7	DOHV	8	RN30D	DOHV	8	RN30D	SDCMD_841	53
MSCD#	1	DOHV	2	RN31A	DOHV	2	RN31A	MSCD#_841	53
SDMS_PWR	3	DOHV	4	RN31B	DOHV	4	RN31B	SDMS_PWR_841	53
	5	DOHV	6	RN31C	DOHV	6	RN31C		
	7	DOHV	8	RN31D	DOHV	8	RN31D		

ASUS		Title : CARD1394-R5C832(2)	
ASUSTeK COMPUTER INC. NB1		Engineer: Frank Xu	
Size	Project Name	Rev	
Custom	F3Jr	2.0	
Date: 11/11/2006	Sheet: 50	of	94

<< Kennedy_Zhang >>

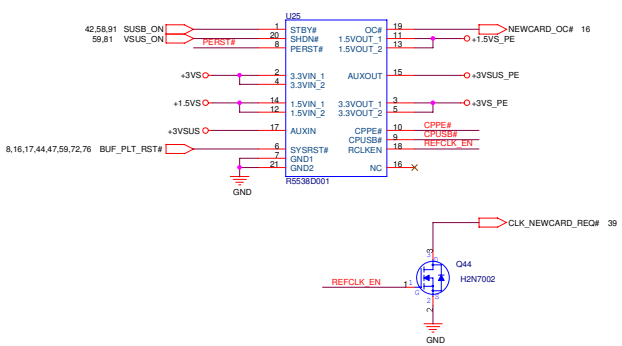
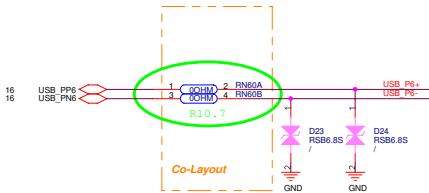
VF-CO-CC



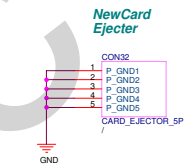
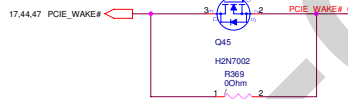
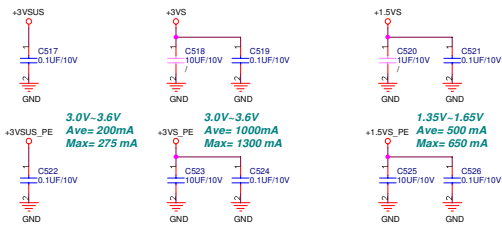
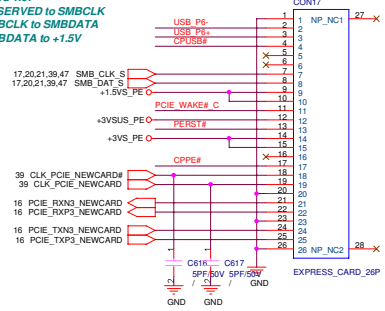
ASUS		Title 3 in 1 CARD READER	
ASUSTeK COMPUTER INC.		Engineer: Frank Xu	
Size	Project Name	Rev	
Custom	F3Jr	2.0	
Date	DATE	Sheet	61 of 94

<< Kennedy_Zhang >>

WATERMARC

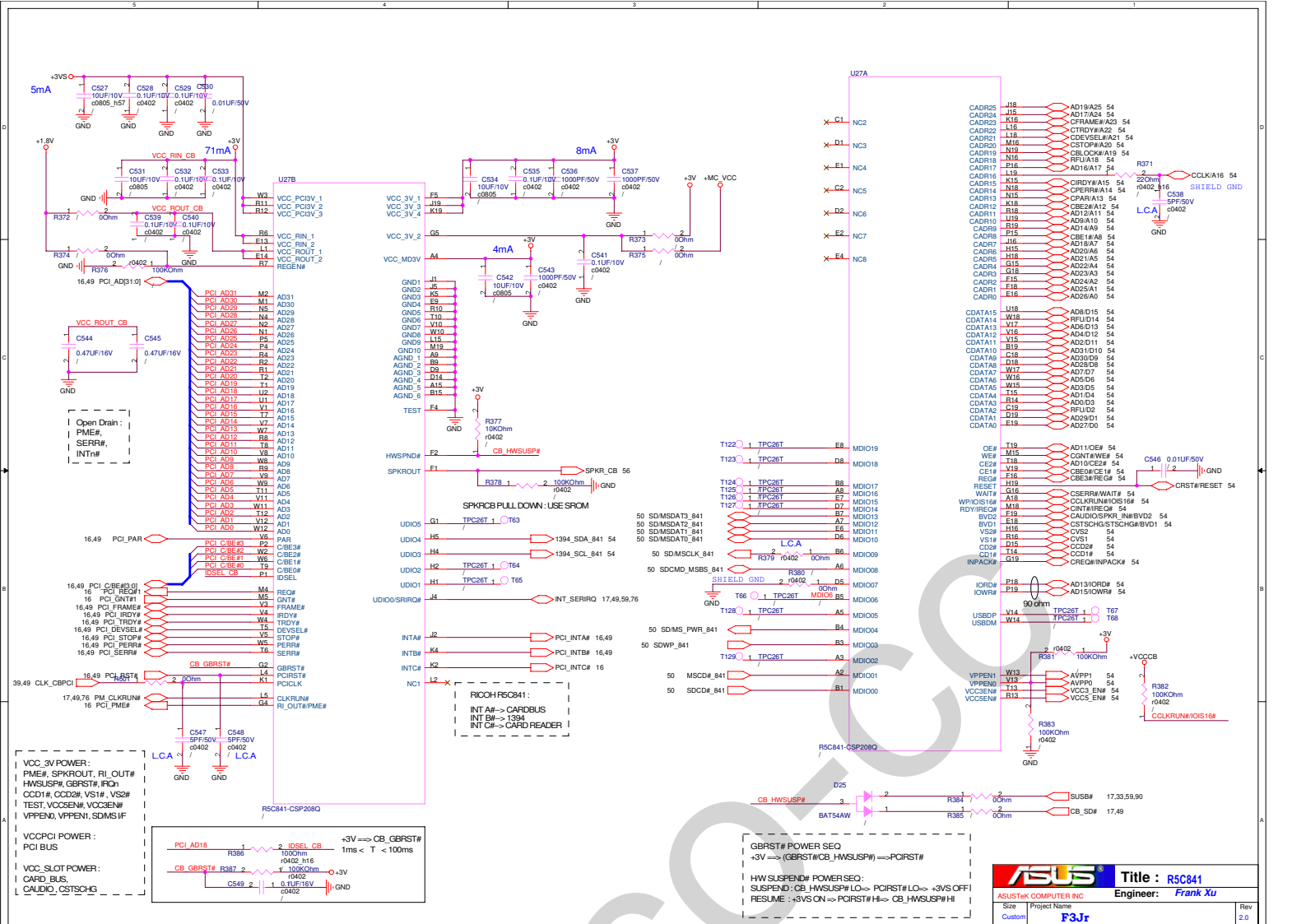


!! ExpressCard Standard 1.0:
 Change Pin7 from RESERVED to SMBCLK
 Change Pin8 from SMBCLK to SMBDATA
 Change Pin9 from SMBDATA to +1.5V

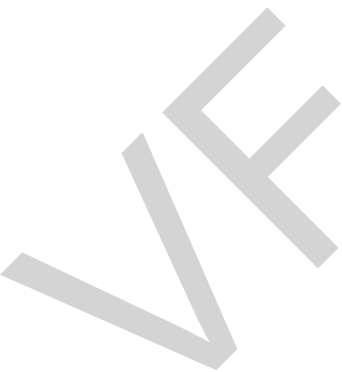


ASUS		Title : NEWCARD	
ASUSTeK COMPUTER INC. NB1		Engineer: Frank Xu	
Size	Project Name		Rev
Custom	F3Jr		2.0
Date: 11/11/2006	Sheet: 58	of 94	

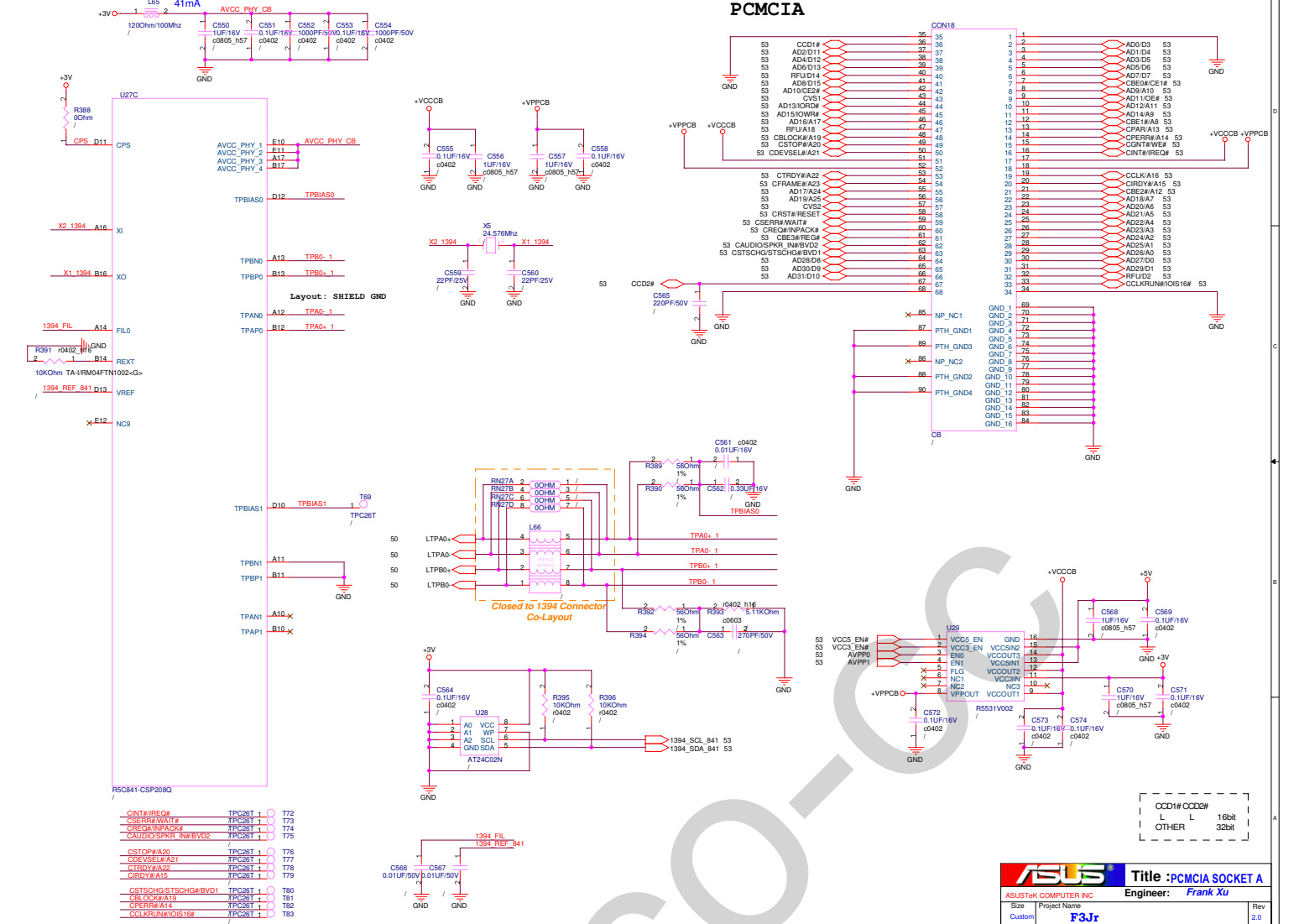
<< Kennedy_Zhang >>



<< Kennedy_Zhang >>




PCMCIA



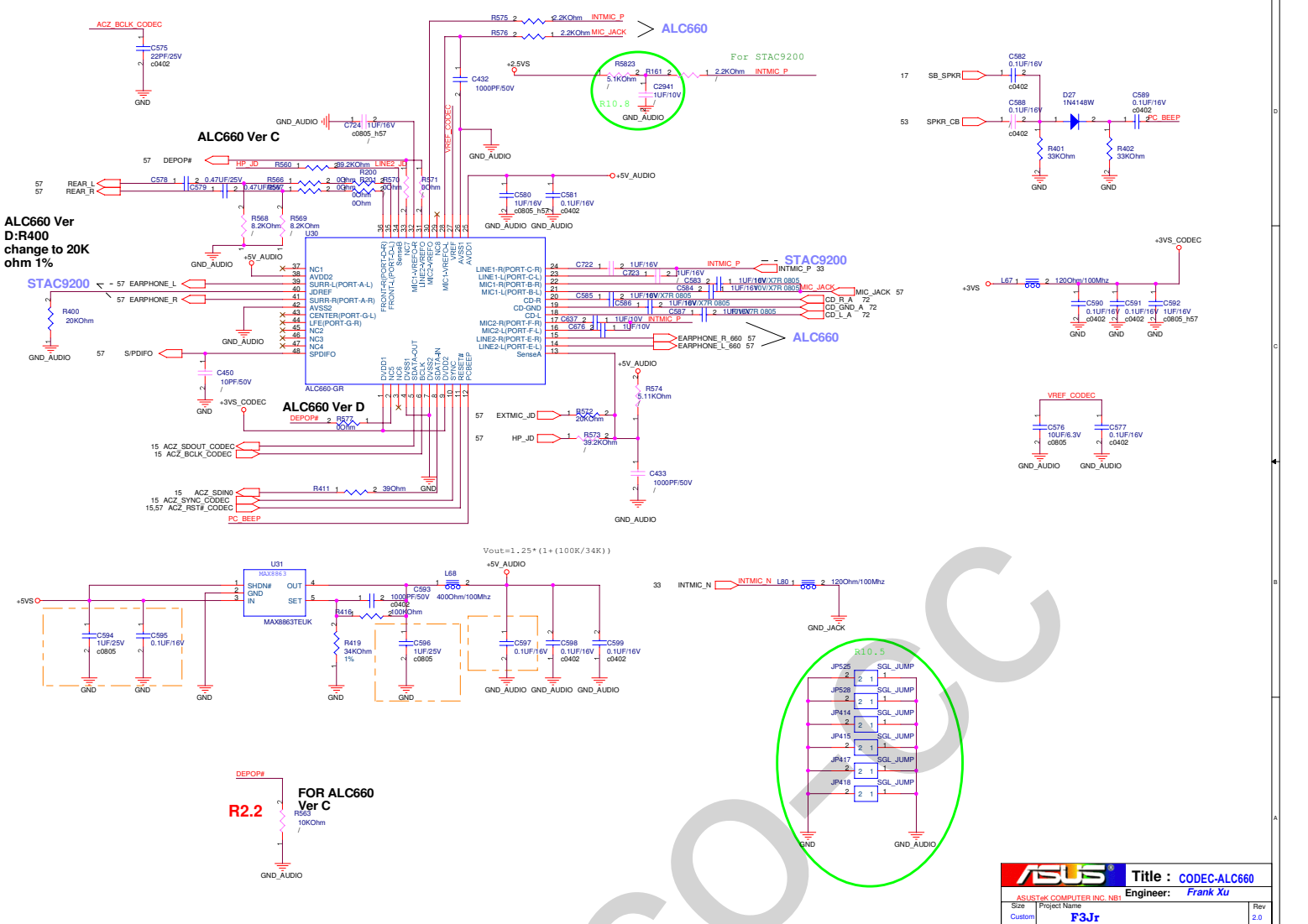
ASUS Title: PCMCIA SOCKET A
 ASUSTEK COMPUTER INC. Engineer: Frank Xu
 Size: Custom
 Product: F3Jr
 Date: 11/11/2006 Sheet: 54 of 94

<< Kennedy_Zhang >>

WATERM

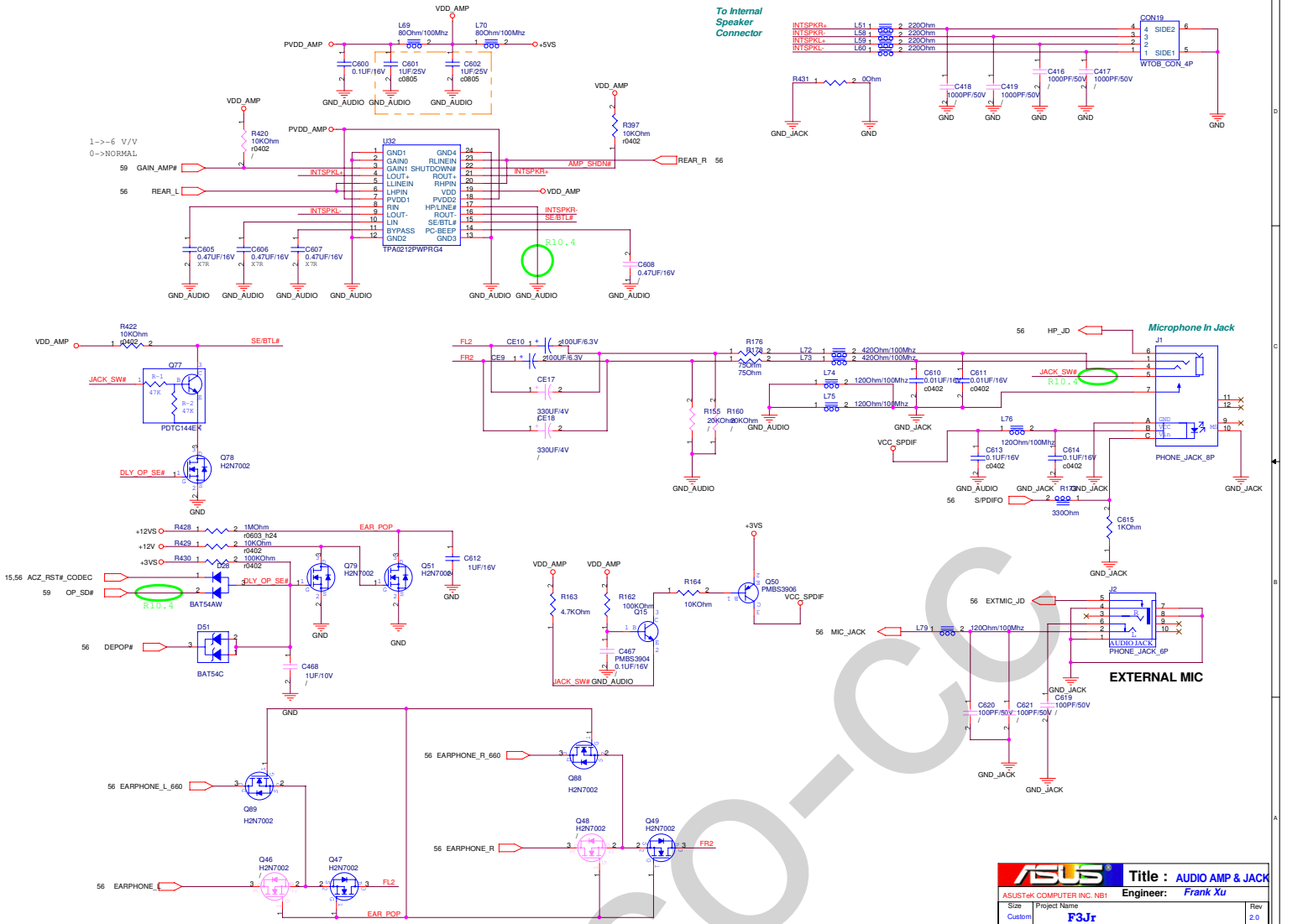
		Title : F3J	
ASUSTeK COMPUTER INC.		Engineer: Frank Xu	
Size	Project Name		Rev
Custom	F3Jr		2.0
Date: SEP 11 2006		Sheet	66 of 94

<< Kennedy_Zhang >>



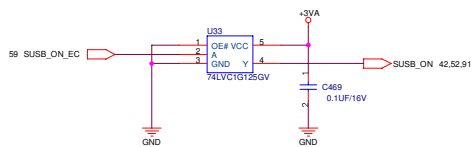
ASUS		Title : CODEC-ALC660	
ASUSTeK COMPUTER INC. (NBI) Engineer: Frank Xu			
Size	Project Name		Rev
Custom	F3Jr		2.0
Date: 11/11/2006	Sheet: 56	of 94	

<< Kennedy Zhang >>



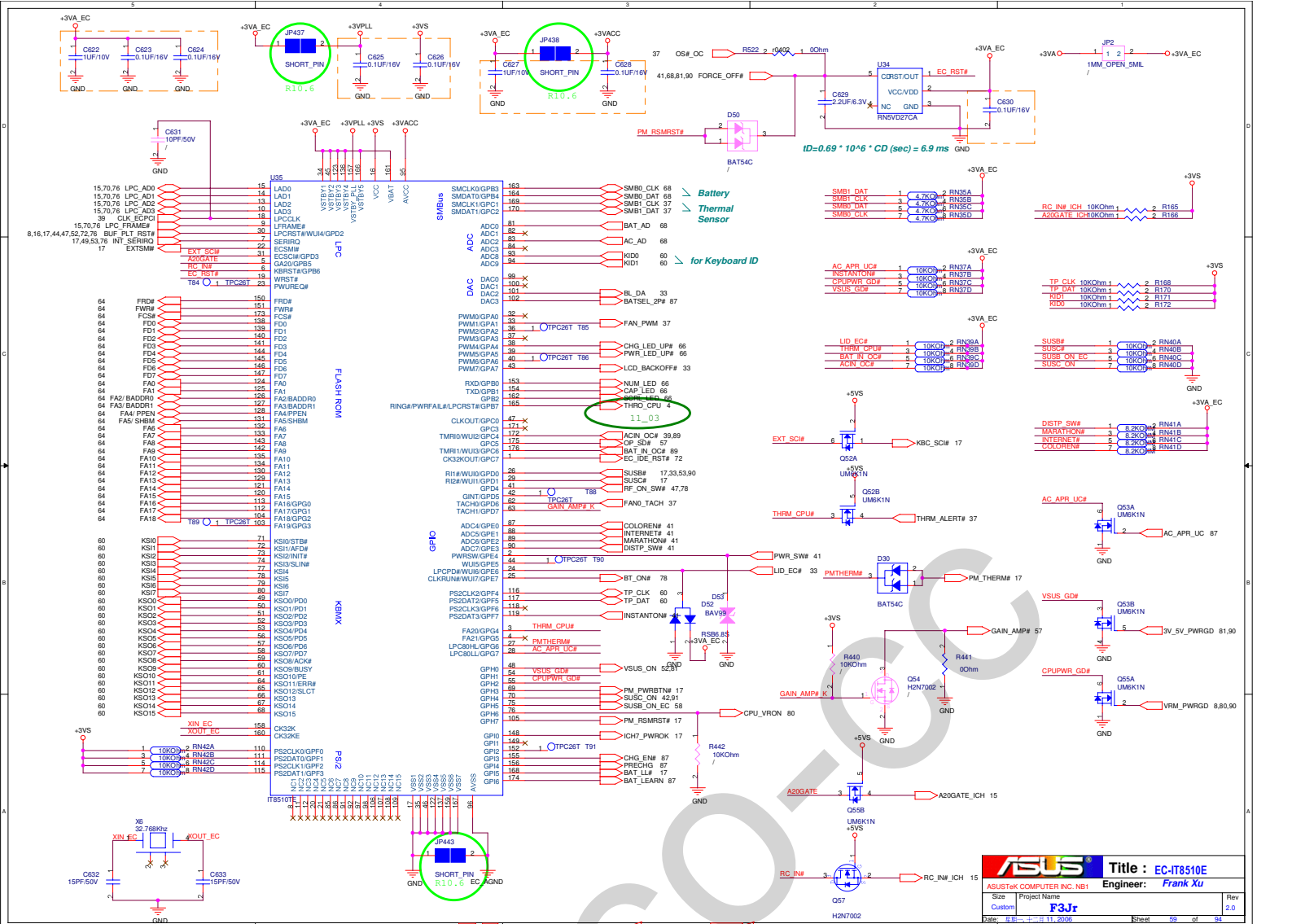
ASUS		Title : AUDIO AMP & JACK	
ASUSTek COMPUTER INC. (NBI)		Engineer: Frank Xu	
Size	Project Name	Rev	
Custom	F3Jr	2.0	
Date: 08/11/11 20:06	Sheet: 87	of 84	

<< Kennedy_Zhang >>



ASUS		Title : ON1 & ON2	
ASUSTeK COMPUTER INC.		Engineer: Frank Xu	
Size	Project Name		Rev
Custom	F3Jr		2.0
Date: 2006.11.11	DATE: 11/20/06	Sheet: 58	of 94

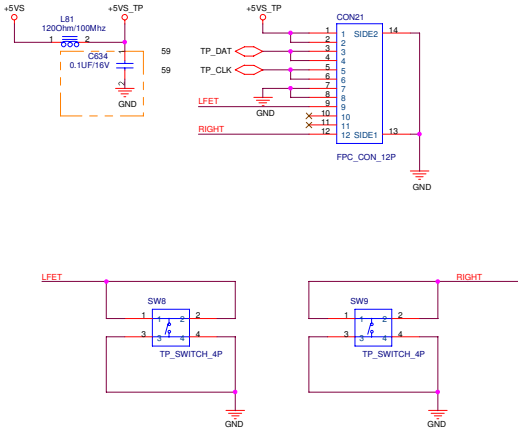
<< Kennedy_Zhang >>



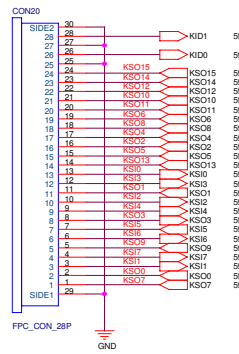
			Title : EC-IT8510E	
ASUSTeK COMPUTER INC. NB1			Engineer: Frank Xu	
Size	Project Name		Rev	
Custom	F3Jr		2.0	
Date: 11/11/2008	Sheet		59 of 94	

« Kennedy_Zhang »

For Touch-Pad




For Keyboard



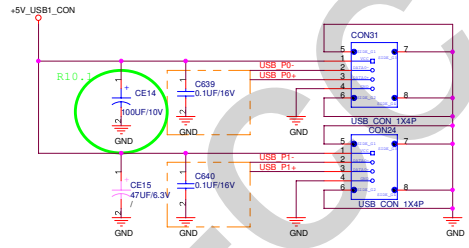
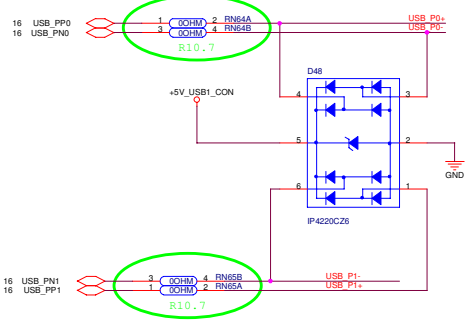
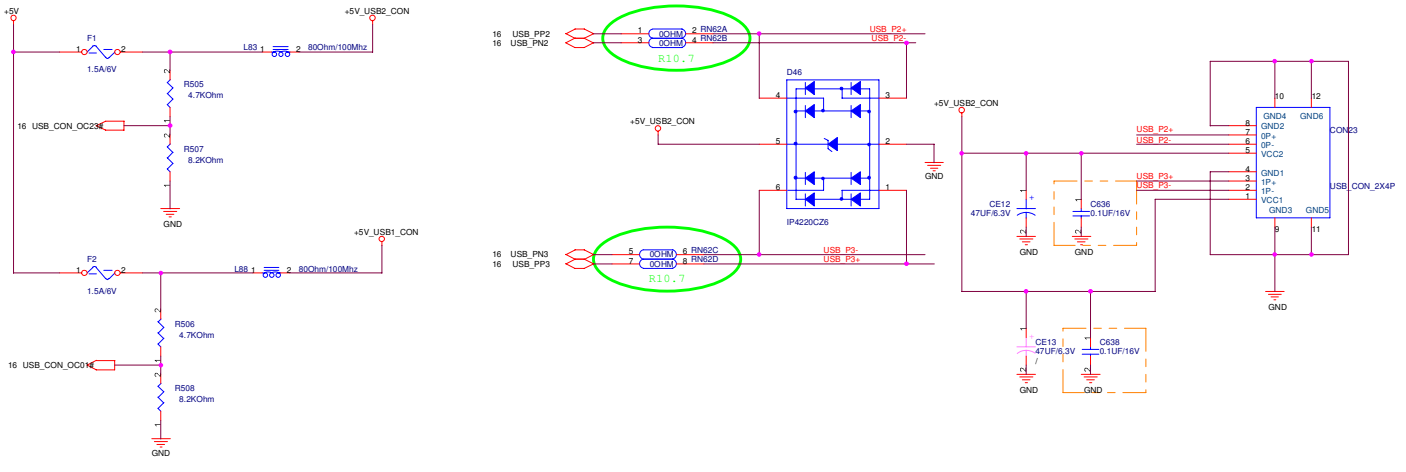
ASUS		Title : Touch Pad & KB	
ASUSTeK COMPUTER INC. NB1		Engineer: Frank Xu	
Size	Project Name		Rev
Custom	F3Jr		2.0
Date: 08/11/2006	Sheet: 60	of 94	

<< Kennedy_Zhang >>

W E - C O - I - C C

		Title : Schematic page name	
ASUSTeK COMPUTER INC.		Engineer: Frank Xu	
Size	Project Name	Rev	
Custom	F3Jr	2.0	
Date: SEP 11 2006		Sheet 61 of 94	

<< Kennedy_Zhang >>




ASUS		Title : USB CONN	
ASUSTeK COMPUTER INC.		Engineer: Frank Xu	
Size	Project Name		Rev
Custom	F3Jr		2.0
Date: 11/11/2006	Sheet: 66	of 94	

<< Kennedy_Zhang >>

WVF-0

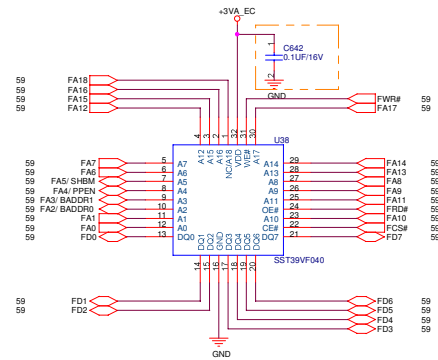
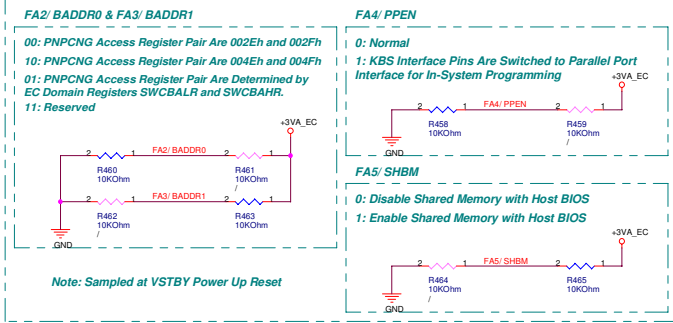
V.F.-CO-CC

<< Kennedy_Zhang >>

		Title : Schematic page name	
ASUSTeK COMPUTER INC.		Engineer: Frank Xu	
Size	Project Name	Rev	
Custom	F3Jr	2.0	
Date: 2006.11.11		Sheet: 63 of 94	

ISA ROM


EC Hardware Strapping



ASUS		Title :ISA ROM	
ASUSTeK COMPUTER INC. NB1		Engineer: Frank Xu	
Size	Project Name		Rev
Custom	F3Jr		2.0
Date: 11/11/2006	Sheet: 64	of 94	

<< Kennedy_Zhang >>

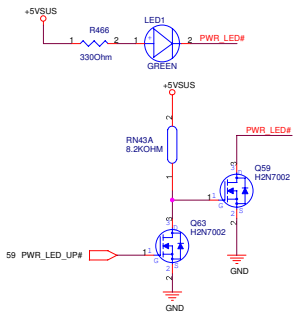
V.F.-GO-CC

		Title : Schematic page name	
ASUSTeK COMPUTER INC.		Engineer: Frank Xu	
Size	Project Name	Rev	
Custom	F3Jr	2.0	
Date: SEP 11 2006		Sheet 66 of 94	

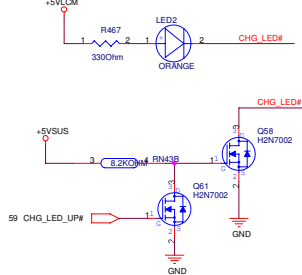
<< Kennedy_Zhang >>

For LED

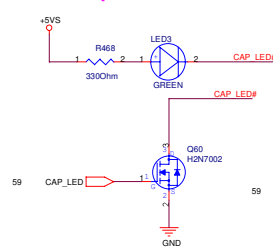
For POWER LED



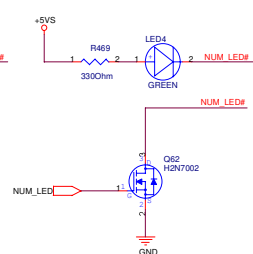
For BATTERY LED



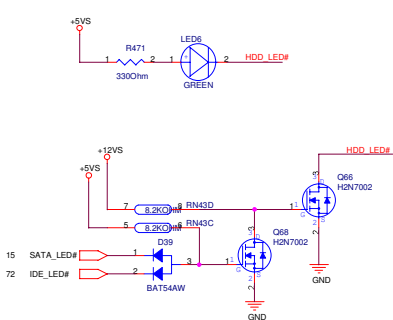
for Cap. Lock



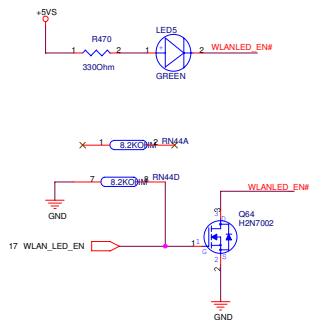
for Num Lock



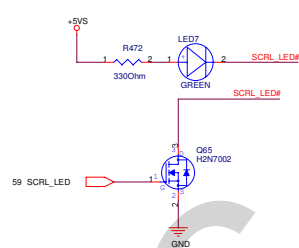
For SATA/IDE LED



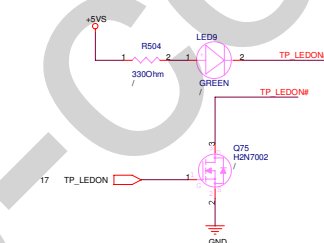
For WireLess LED



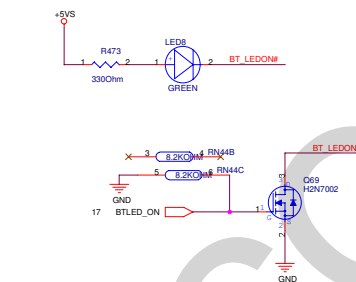
for Scroll Lock



for Touch Pad




For BT LED



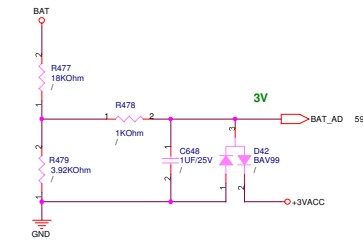
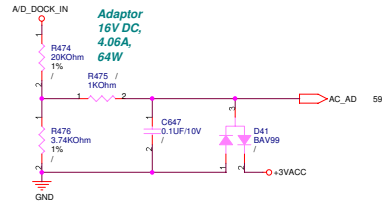
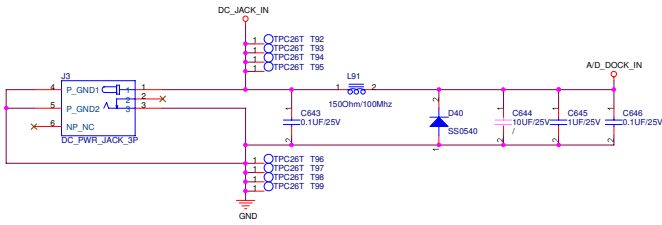
ASUS		Title : LED	
ASUSTeK COMPUTER INC		Engineer: Frank Xu	
Size	Project Name	Rev	
Custom	F3Jr	2.0	
Date: 11/11/2006	Sheet: 66	of 94	

<< Kennedy_Zhang >>

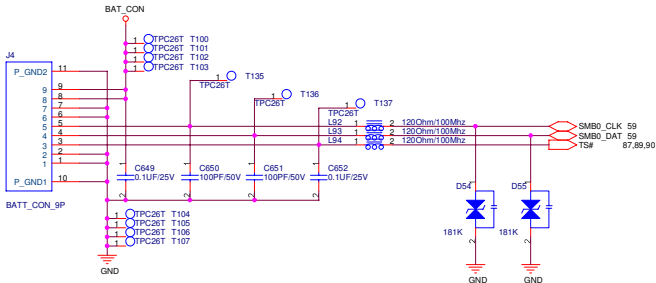
		Title : Schematic page name	
ASUSTeK COMPUTER INC.		Engineer: Frank Xu	
Size	Project Name		Rev
Custom	F3Jr		2.0
Date: 08/11/2006		Sheet	67 of 94

<< Kennedy_Zhang >>

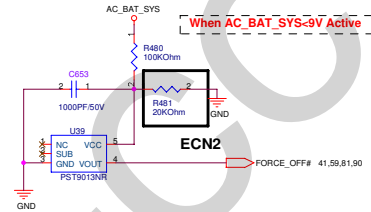
DC IN



BAT IN




Without Battery & Pull out Adaptor



ASUS		Title : DC & BAT IN	
ASUSTeK COMPUTER INC. NB1		Engineer: Frank Xu	
Size	Project Name	Rev	
Custom	F3Jr	2.0	
Date: 2006.11.11	Sheet: 68	of	94

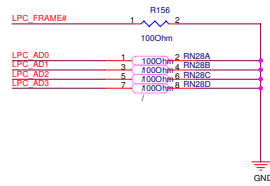
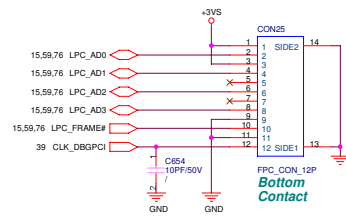
<< Kennedy_Zhang >>

WVF-001

		Title : Schematic page name	
ASUSTeK COMPUTER INC.		Engineer: Frank Xu	
Size	Project Name	Rev	
Custom	F3Jr	2.0	
Date: 08/11/2006	Sheet 69		of 94

<< Kennedy_Zhang >>


For Debug



ASUS		Title : Debug CONN.	
ASUSTeK COMPUTER INC.		Engineer: <i>Frank Xu</i>	
Size	Project Name	Rev	
Custom	F3Jr	2.0	
Date: 2006.11.11		Sheet: 70 of 94	

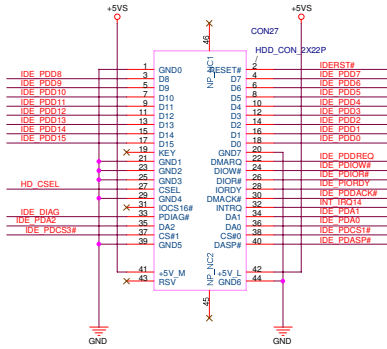
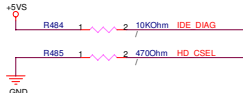
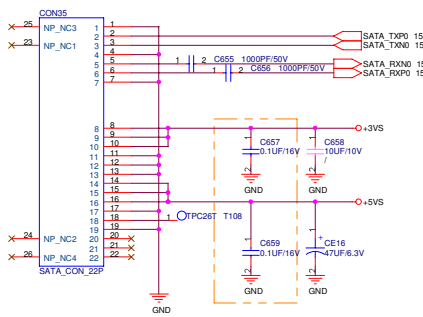
<< Kennedy_Zhang >>

VF-CO-CC

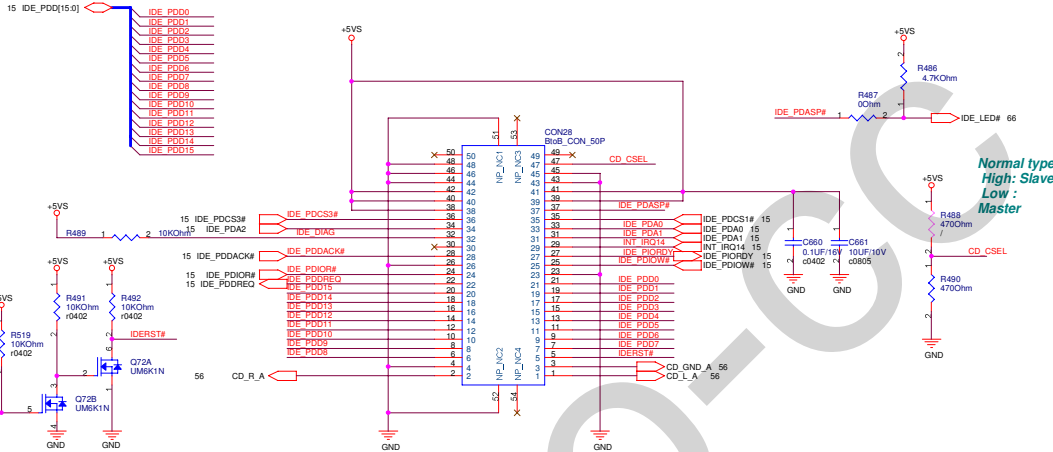
		Title : Schematic page name	
ASUSTeK COMPUTER INC.		Engineer: Frank Xu	
Size	Project Name	Rev	
Custom	F3Jr	2.0	
Date: 08/11/2006	Sheet 71		of 94

<< Kennedy_Zhang >>

HD_CSEL : Pull-Down, HDD as Master



SATA HDD
ODD




ASUS		Title : SATA-HDD & ODD		
		ASUSTeK COMPUTER INC. NB1 Engineer: Frank Xu		
Size	Project Name			Rev
Custom	F3Jr			2.0
Date:	11/11/2006	Sheet	72	of 94

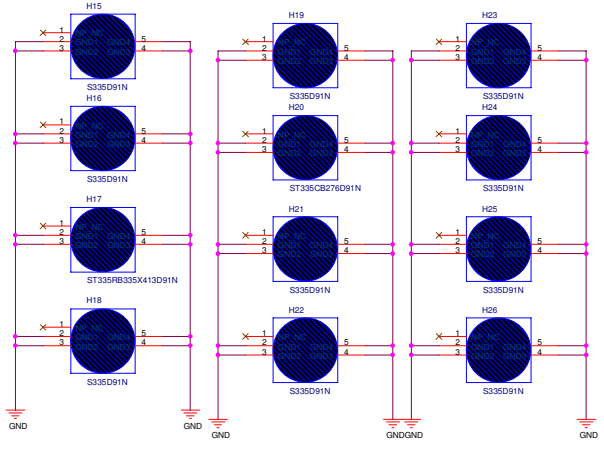
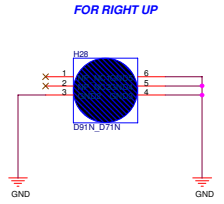
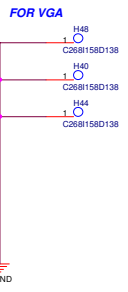
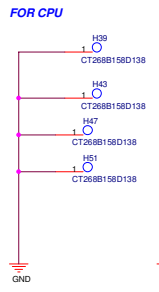
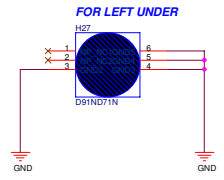
<< Kennedy_Zhang >>

VFE-000

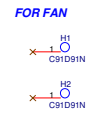
V.F.-CO-CC

<< Kennedy_Zhang >>

		Title : Schematic page name	
ASUSTeK COMPUTER INC.		Engineer: Frank Xu	
Size	Project Name	Rev	
Custom	F3Jr	2.0	
Date: 2006.11.11		Sheet	78 of 94



FOR SCREW HOLE




ASUS		Title : SREW HOLE	
ASUSTeK COMPUTER INC.		Engineer: Frank Xu	
Size	Project Name		Rev
Custom	F3Jr		2.0
Date: 11/11/2006		Sheet: 74	of 94

<< Kennedy_Zhang >>

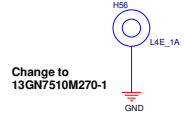
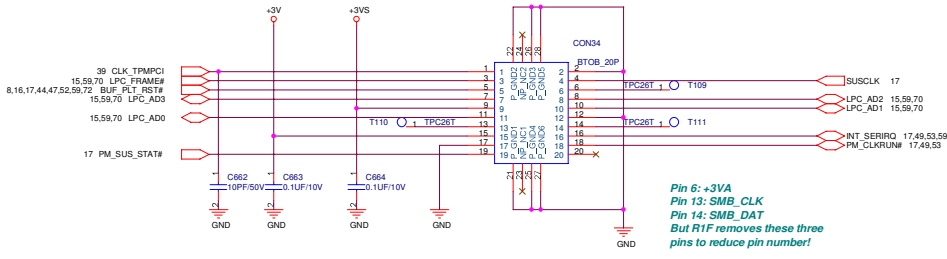
VFW-CC

V.F.-CO-CC

<< Kennedy_Zhang >>

		Title : Schematic page name	
ASUSTeK COMPUTER INC.		Engineer: Frank Xu	
Size	Project Name	Rev	
Custom	F3Jr	2.0	
Date	FILE: L:\E 11-2006	Sheet	78 of 94

For TPM Module



ASUS		Title : TPM	
ASUSTeK COMPUTER INC.		Engineer: Frank Xu	
Size	Project Name		Rev
Custom	F3Jr		2.0
Date: 2006.11.11	Sheet: 76	of 94	

<< Kennedy_Zhang >>

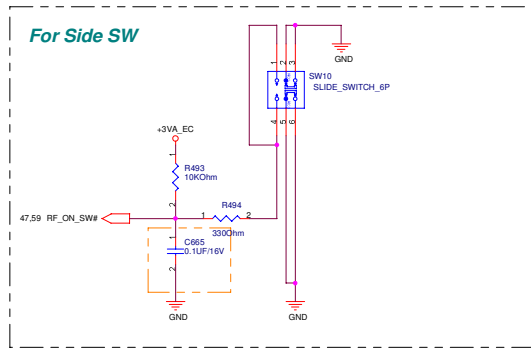
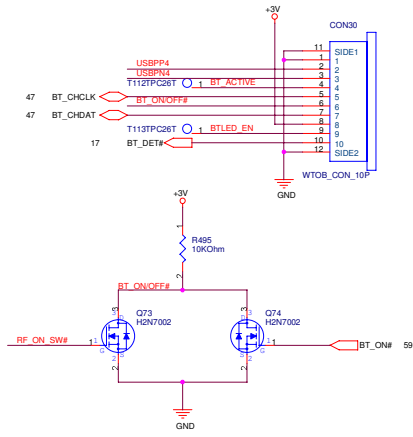
VF-CO-CC

V.F.-CO-CC

<< Kennedy_Zhang >>

		Title: schematic page name	
ASUSTeK COMPUTER INC.		Engineer: Frank Xu	
Size	Project Name		Rev
Custom	F3Jr		2.0
Date: 08/11/2006		Sheet: 77	of 94


For Bluetooth



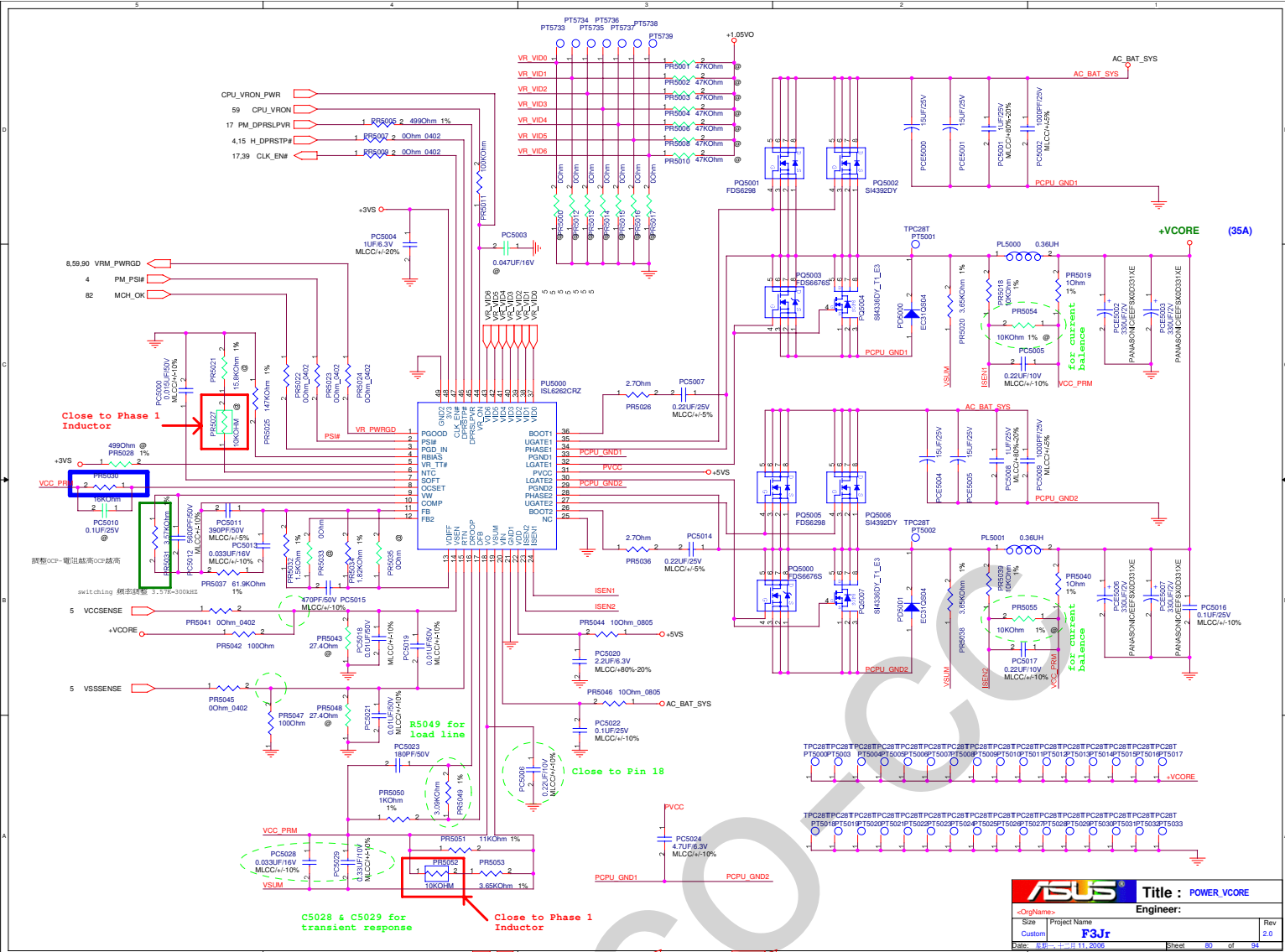
ASUS		Title : Blue Tooth	
ASUSTeK COMPUTER INC.		Engineer: Frank Xu	
Size	Project Name		Rev
Custom	F3Jr		2.0
Date: 2006.11.11	Sheet: 78	of 94	

<< Kennedy_Zhang >>

W E - C O - C C

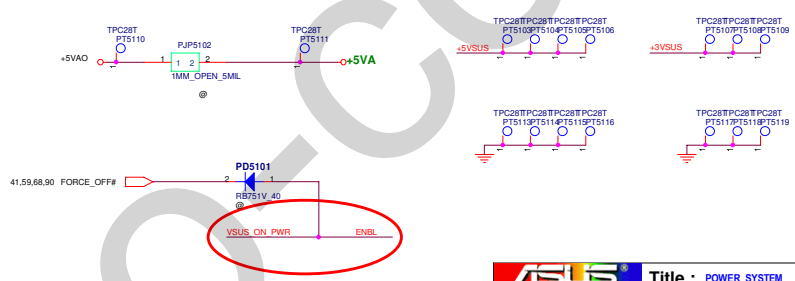
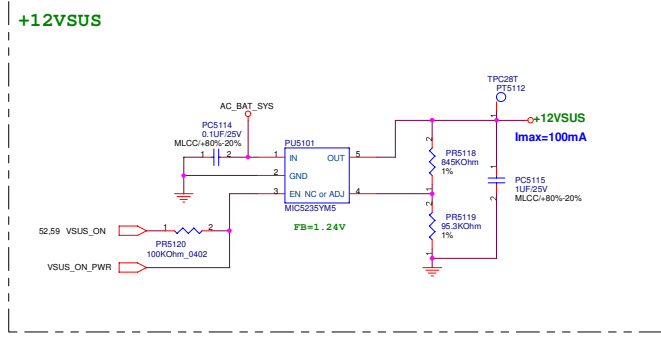
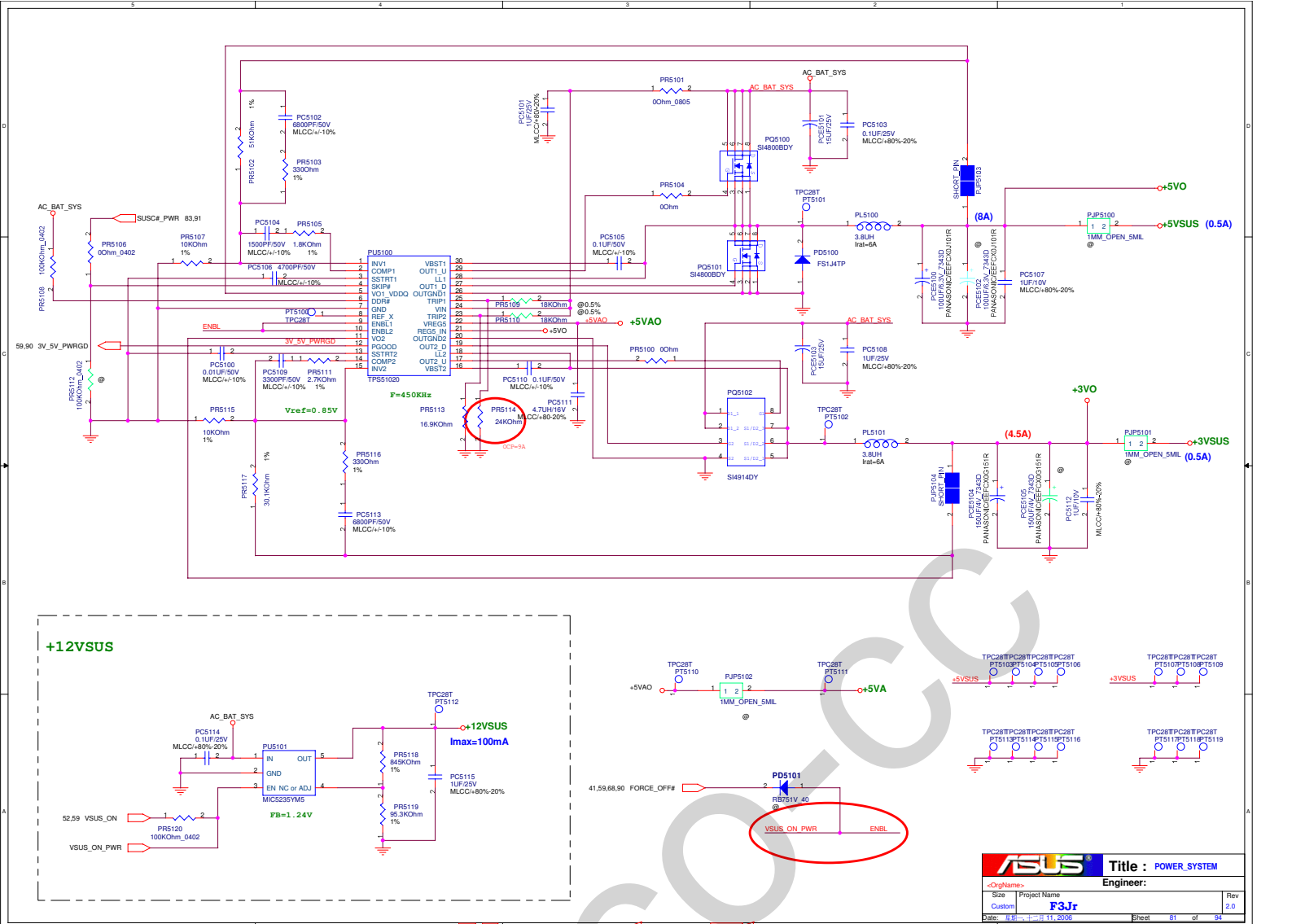
		Title : Schematic page name	
ASUSTeK COMPUTER INC.		Engineer: Frank Xu	
Size	Project Name		Rev
Custom	F3Jr		2.0
Date: 08/11/2006		Sheet	79 of 94

<< Kennedy_Zhang >>



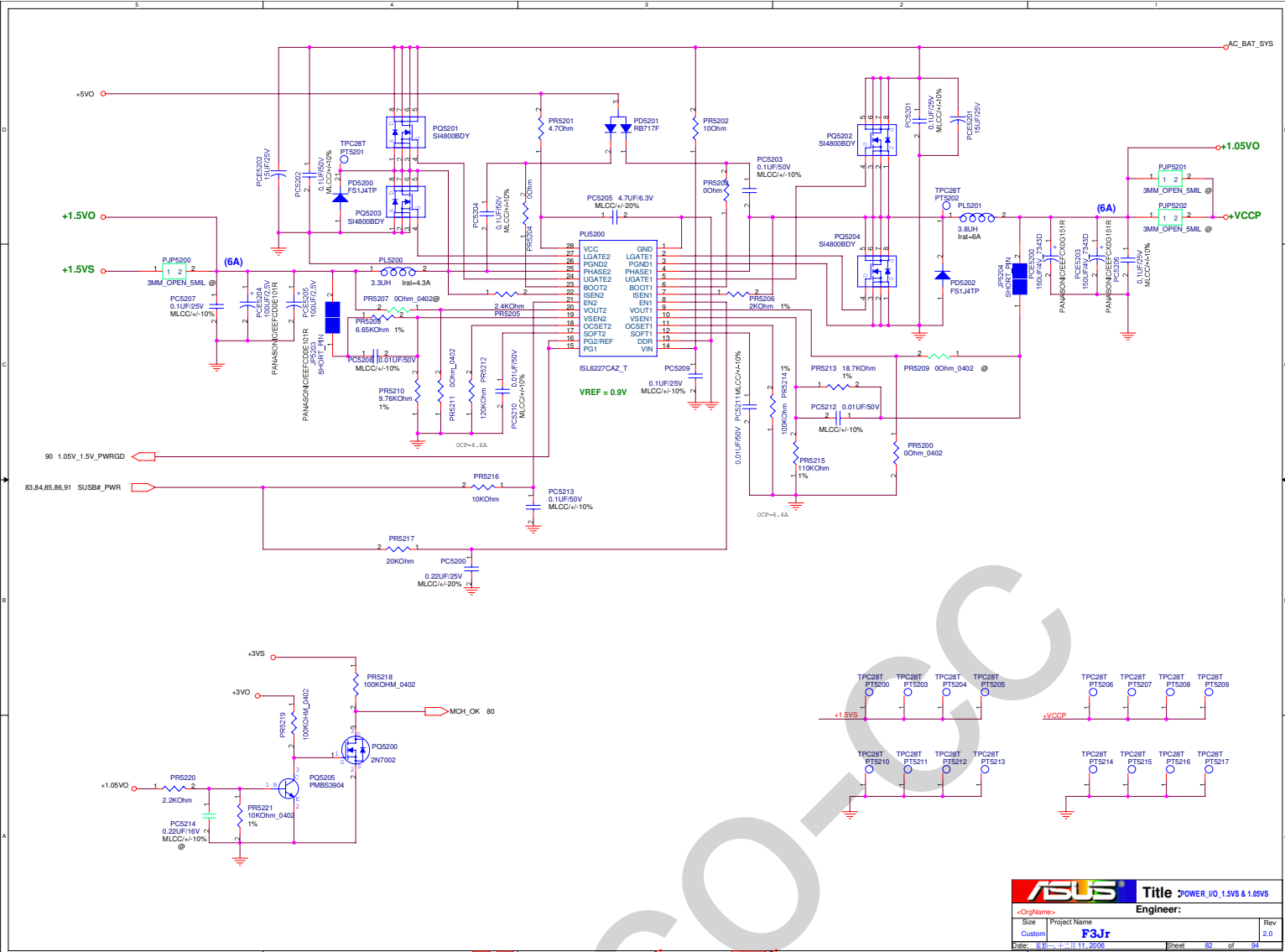
ASUS		Title : POWER_VCORE	
-<OrigName>		Engineer:	
Size	Project Name	Rev	
Custom	F3Jr	2.0	
Date: 11月11, 2008	Sheet: 80	of	94

<< Kennedy_Zhang >>



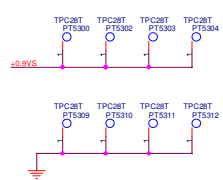
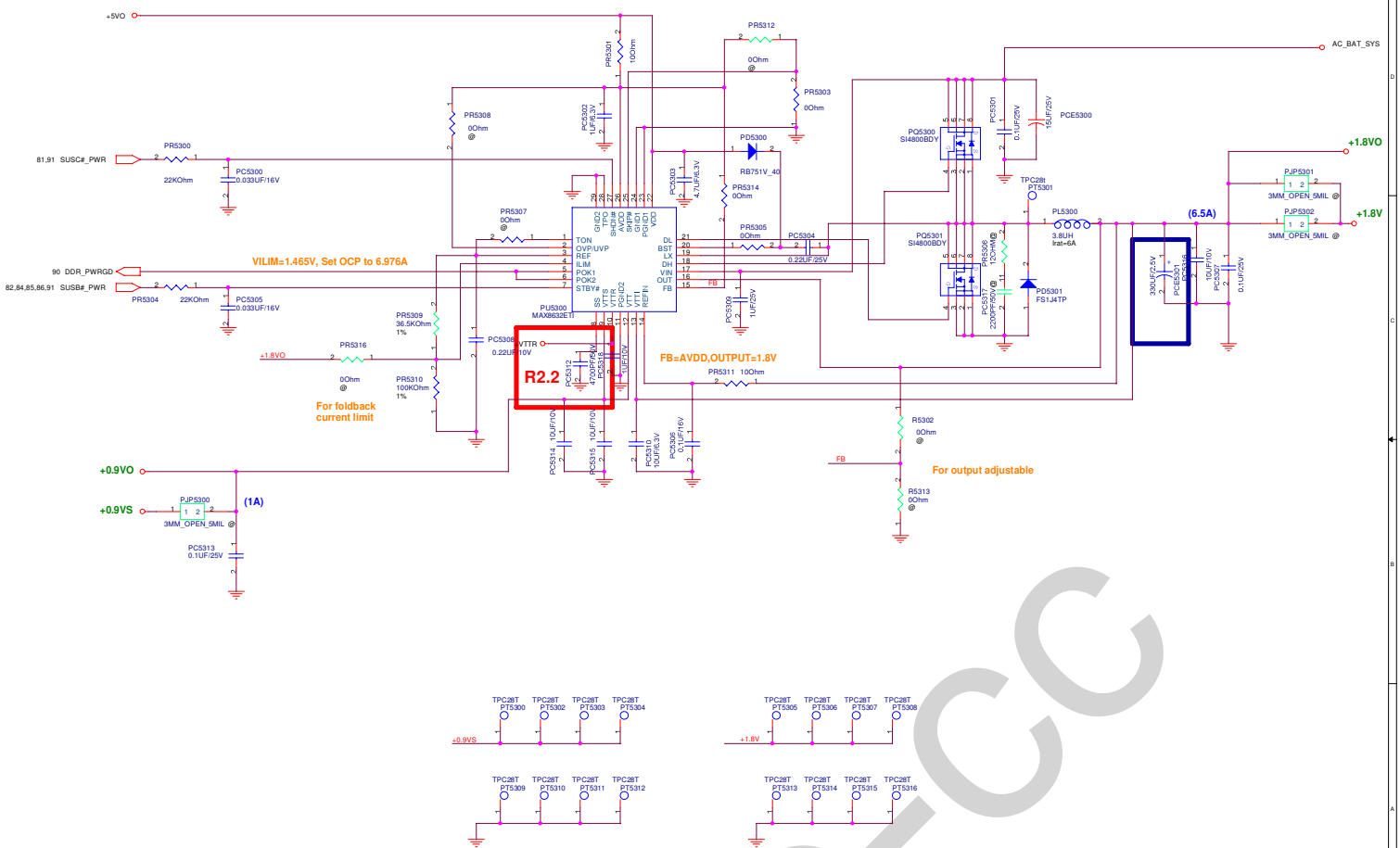
ASUS		Title : POWER_SYSTEM	
Engineer:			
Size	Project Name	Rev	
Custom	F3Jr	2.0	
Date	11/11/2008	Sheet	81 of 94

<< Kennedy_Zhang >>



ASUS		Title POWER_I/O_1.5VS & 1.0VS	
<OrigName>		Engineer:	
Size	Project Name		Rev
Custom	F3Jr		2.0
Date	11/11/2008	Sheet	82 of 94

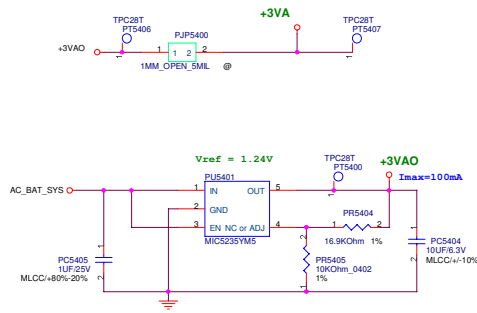
<< Kennedy_Zhang >>



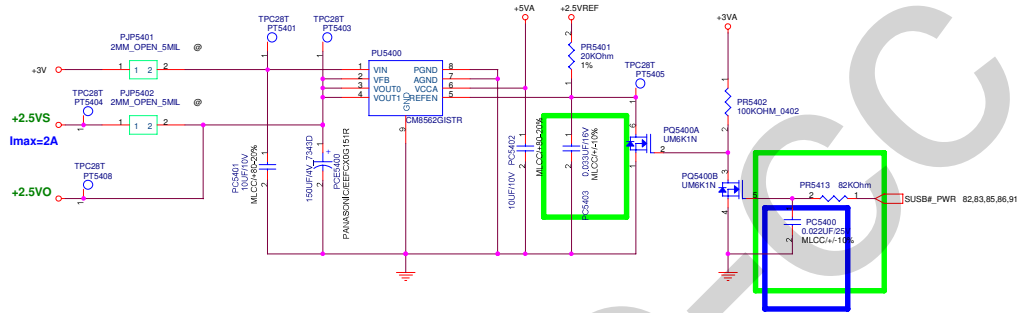
ASUS		Title : POWER_IO_DDR & VTT	
<<OrigName>>		Engineer:	
Size	Project Name	Rev	
Custom	F3Jr	# 0	
Date: 02/11/2008		Sheet: 03	of 04

<< Kennedy_Zhang >>

+3VAO



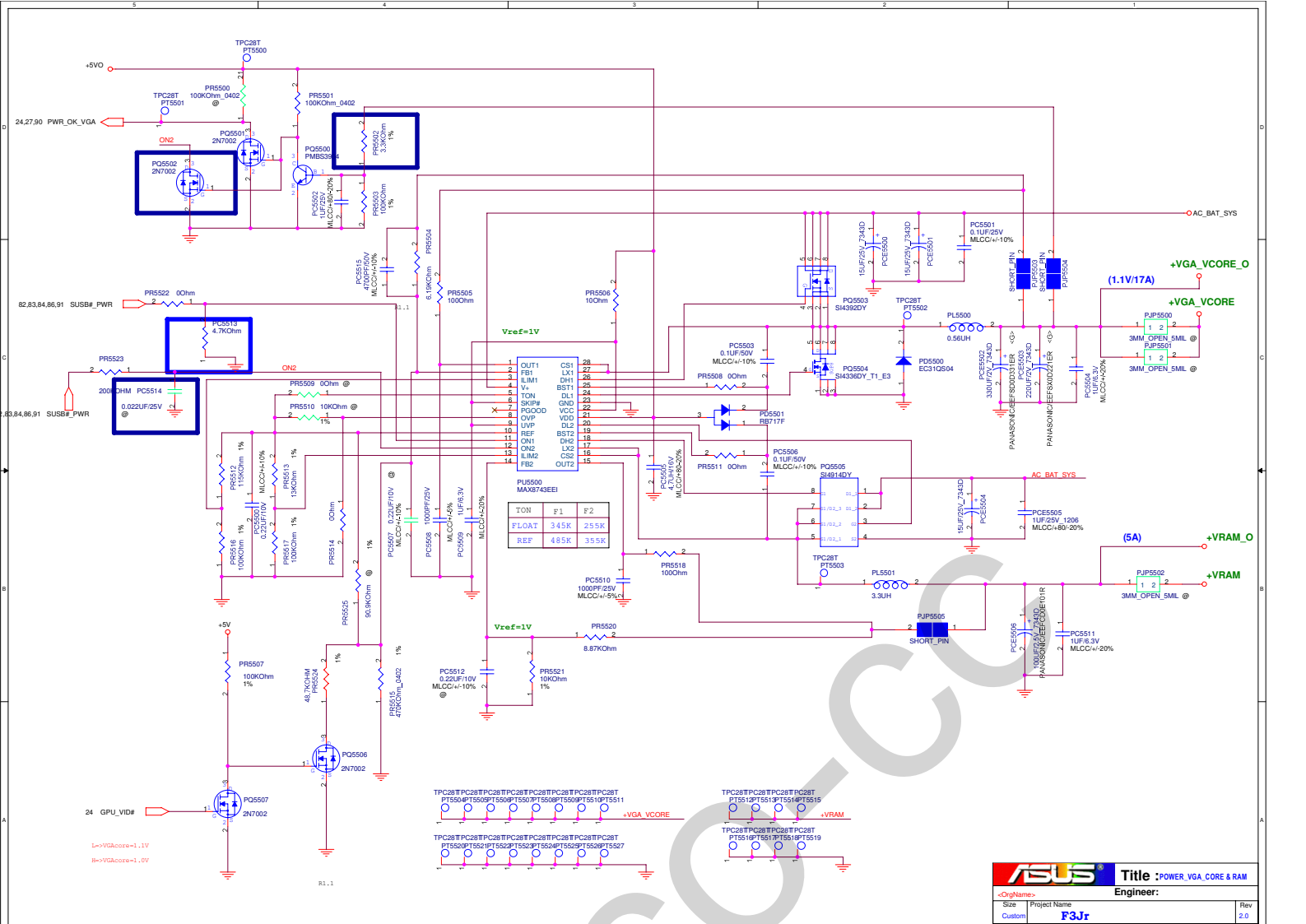
+2.5VS



ASUS		Title : POWER_IO_+3VA & +2.5V	
-OrigName:		Engineer:	
Size	Project Name		Rev
Custom	F3Jr		2.0
Date:	11/11/2006	Sheet	84 of 84

<< Kennedy_Zhang >>

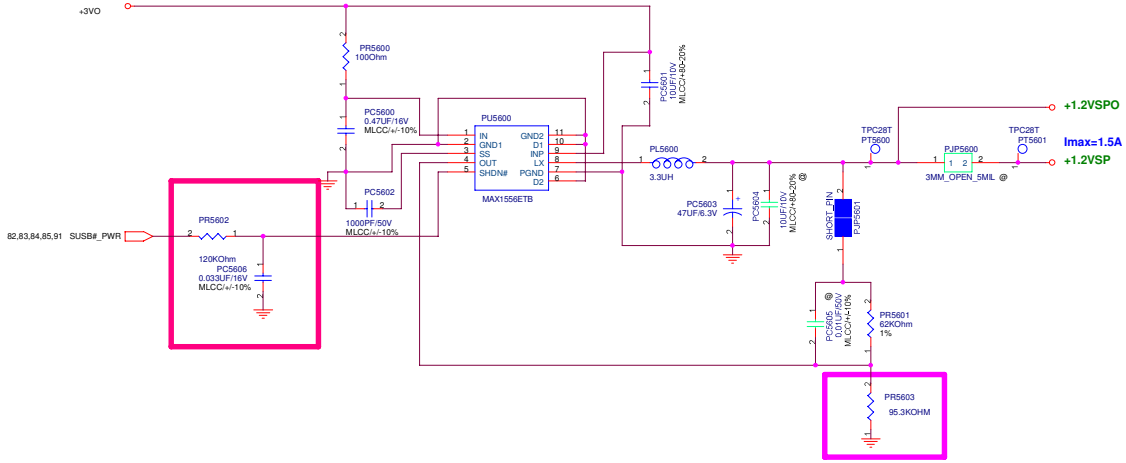
WVF-CONF



ASUS		Title : POWER_VGA_CORE & RAM	
<OrigName>	Project Name	Engineer:	Rev
Custom	F3Jr		2.0
Date: 11/11/2008	Sheet: 85	of	94

<< Kennedy_Zhang >>

+1.2VSP

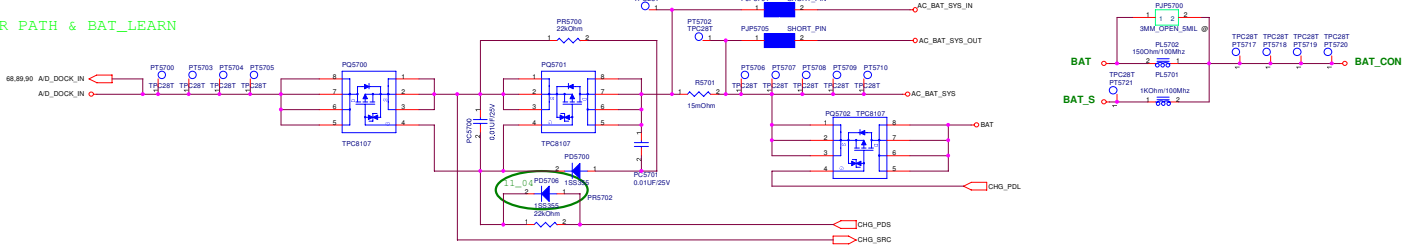


ASUS		Title : POWER_VGA_+1.2VSP	
-<OrigName>		Engineer:	
Size	Project Name		Rev
Custom	F3Jr		2.0
Date: 11/11/2008		Sheet 86	of 94

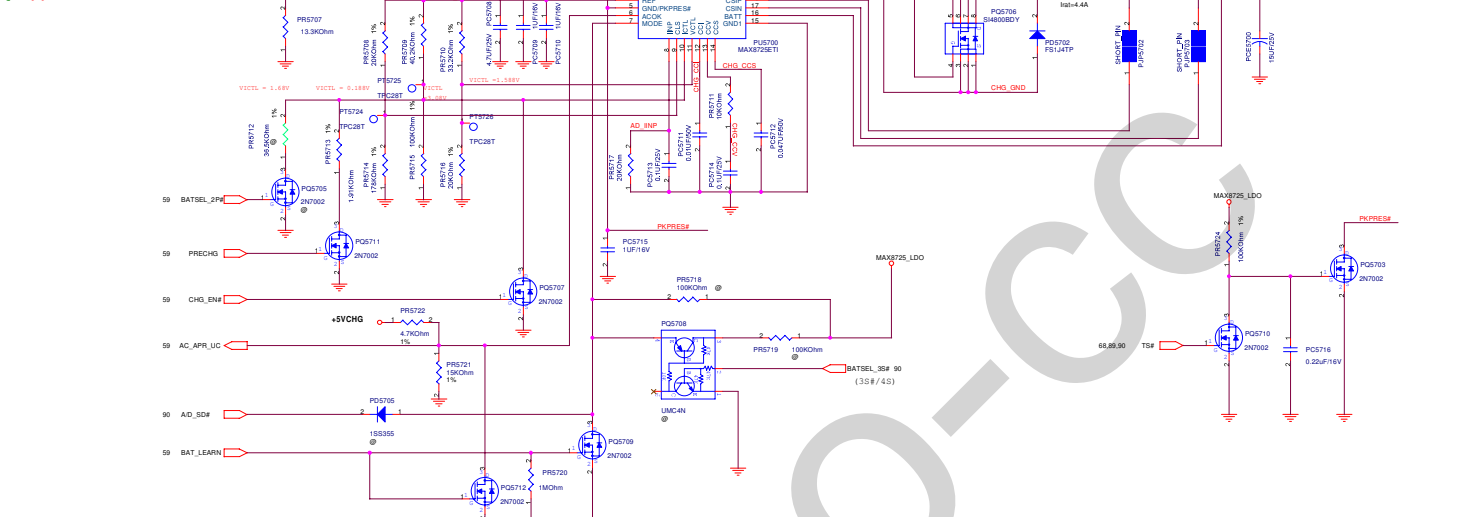
<< Kennedy_Zhang >>

VF-CC-CC

POWER PATH & BAT_LEARN




- AC_IN Threshold $2.049V_{max} AID_DOCK_IN > 17.44V$ active
 Adapter (nominal) $= (0.75V/Rsense/ADm)[(VCL5/VREF) - Rsense/ADm] \times 0.05 \text{ ohm}$
 $VCL5 = 3.885V$
 $\Rightarrow 1000mA/4.5A$
 \Rightarrow Constant Power = $19 \times 3.27 = 65W$
 $\Rightarrow R237a=20k, R237b=170k$
- Charge Current $kIq = (0.075V/Rsense)/CHG[VICTL3.5V]$
 $Rsense(CHG)=0.025 \text{ ohm}$
 $VICTL3.58V \Rightarrow Iq = 2.215A$
 $VICTL1.68V \Rightarrow Iq = 1.4A$
- $V_{bat} = Cell \times [1 - (VICTL - 1.8V) / 9.52]$
 $VCTL = 1.88V$
 $\Rightarrow V_{bat} = 4.2V$
- Mode pin: $V_{mode} > 2.8V$ (to LDO pin) \Rightarrow 4 Cells
 $2.8 > V_{mode} > 1.8V$ (Roading) \Rightarrow 3 Cells
 $0.8 > V_{mode}$ (to to DND) \Rightarrow Learning mode
- $VICTL < 0.8V$ or $DCIN = 7V \Rightarrow$ Charger Disable
- Precharge current=150mA



ASUS		Title : POWER CHARGER	
Design	Project Name	Engineer	
Sdc	F3Jr		Rev
C			2.0
DATE	11-11-2008		

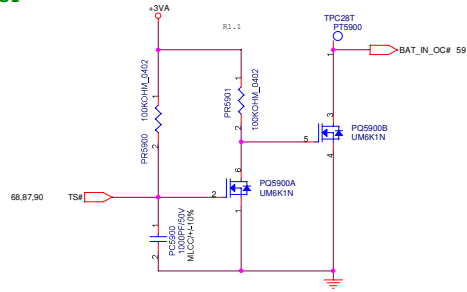
« Kennedy_Zhang »

W.F.

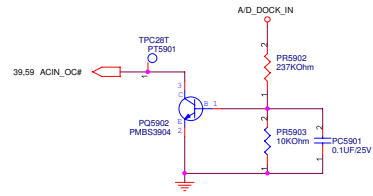
		Title : POWER_PIC	
<OrigName>		Engineer:	
Size	Project Name		Rev
Custom	F3Jr		2.0
Date: 11/11/2008		Sheet	88 of 94

<< Kennedy_Zhang >>

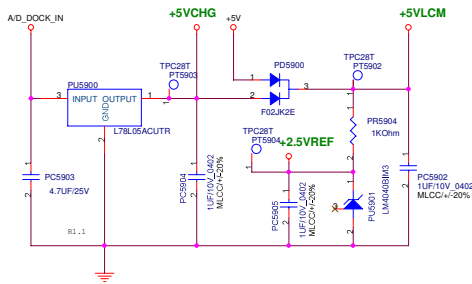
BATTERY IN DETECT



ADAPTER IN DETECT



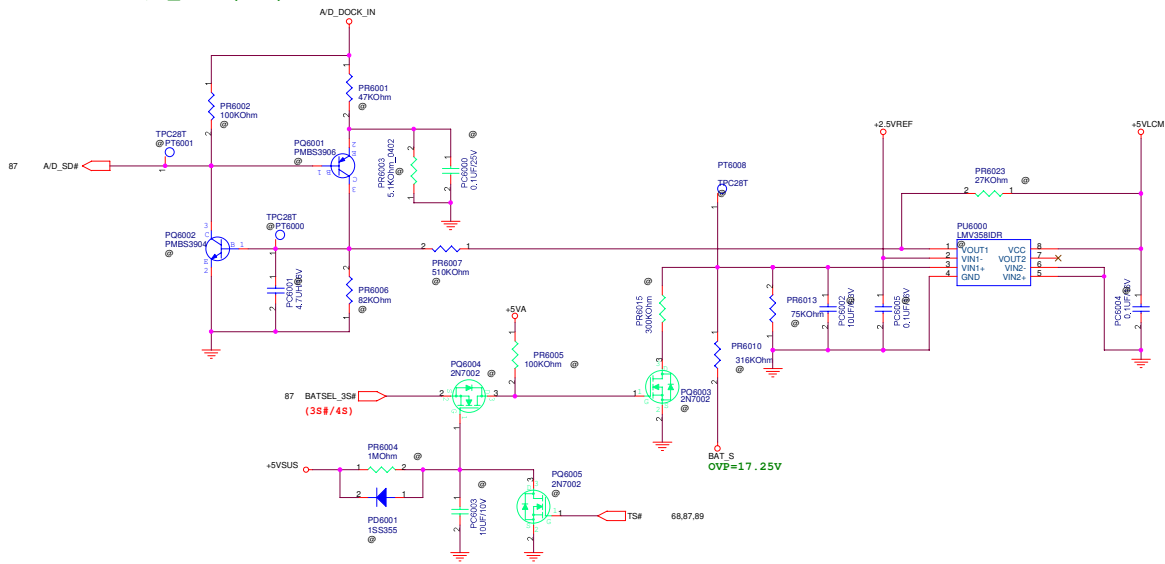
+5VLCM, +5VCHG & +2.5VREF



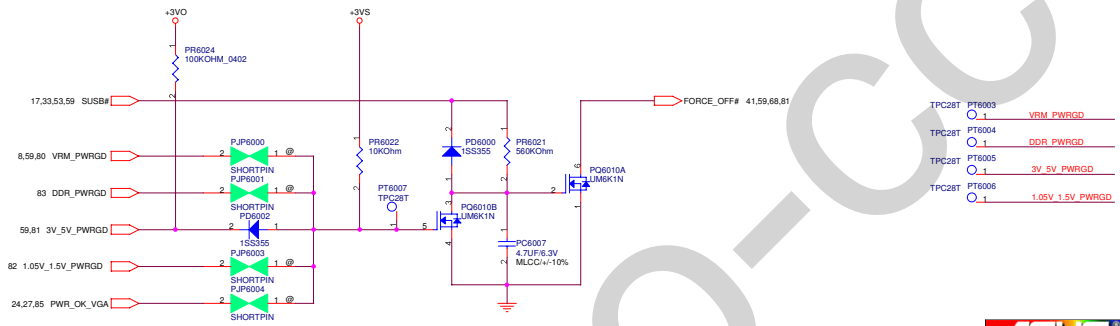
ASUS		Title : POWER_DETECT	
-<OrigName>		Engineer:	
Size	Project Name		Rev
Custom	F3Jr		2.0
Date: 11/11/2008		Sheet: 89	of 94

<< Kennedy_Zhang >>

BATTERY A/D_SD# (OVP)



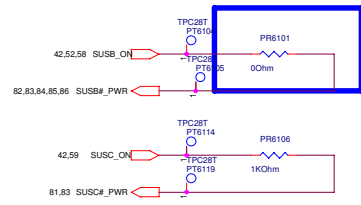
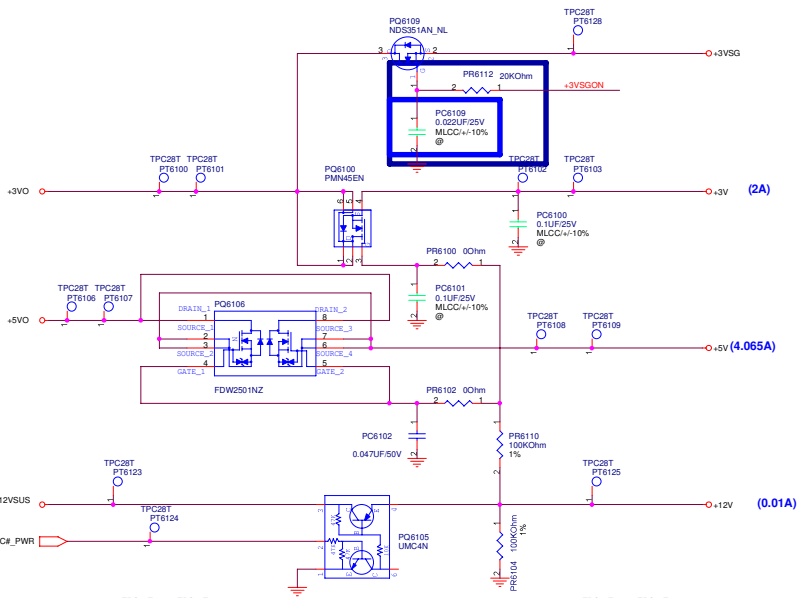
POWER GOOD DETECTER



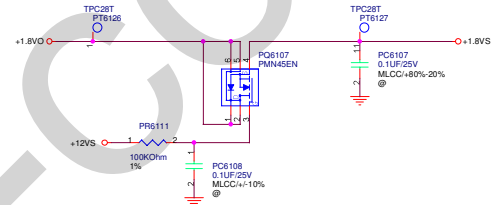
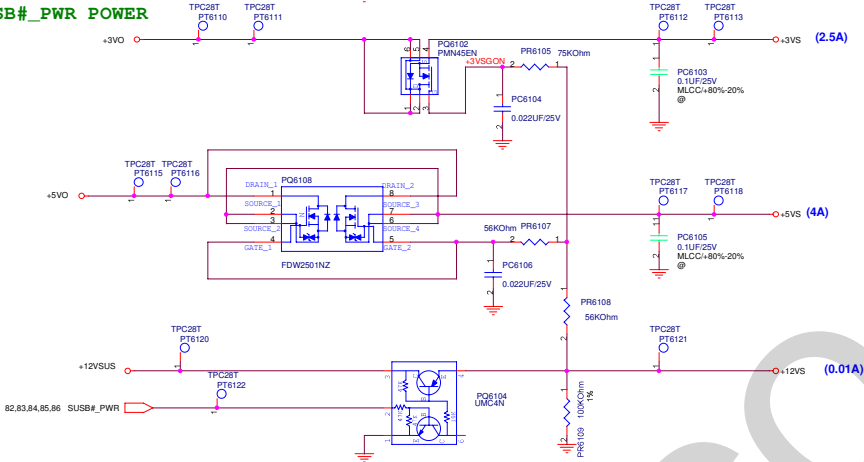
ASUS		Title : POWER_PROTECT	
<small><OrigName></small>		Engineer:	
Size	Project Name		Rev
Custom	F3Jr		2.0
Date: 11/11/2008		Sheet	90 of 94

<< Kennedy_Zhang >>

SUSC#_PWR POWER

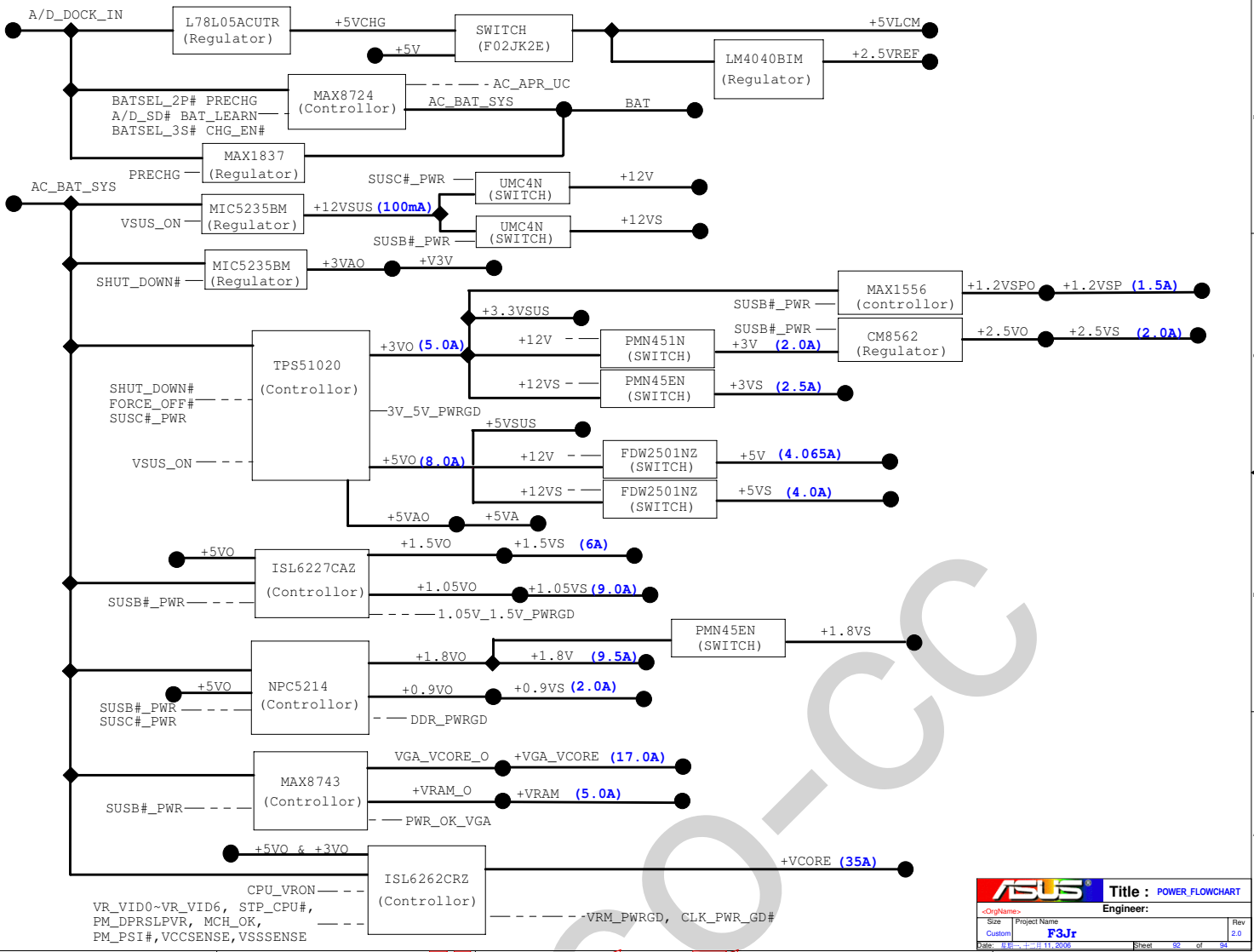


SUSB#_PWR POWER



ASUS		Title : POWER_LOAD_SWITCH	
Size	Project Name	Engineer:	Rev
Custom	F3Jr		2.0
Date: 11/11/2008	Sheet: 91	of 94	

<< Kennedy_Zhang >>



ASUS		Title : POWER_FLOWCHART	
Engineer:		Rev	
Size	Project Name	2.0	
Custom	F3Jr	Date: 11/11/2008	
Date: 11/11/2008		Sheet 88 of 94	

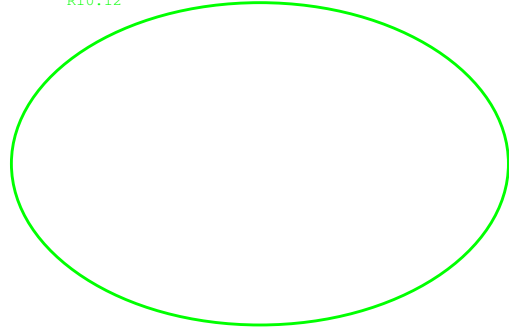
<< Kennedy_Zhang >>

W.F.C.C.

AC_BAT_SYS	AC_BAT_SYS	33,68,80,81,82,83,84,85,87
+3VA	+3VA	15,33,41,42,58,59,84,89
+5VA	+5VA	81,84,90
+5VO	+5VO	81,82,83,85,91
+3VO	+3VO	81,82,86,90,91
+3VSUS	+3VSUS	16,17,18,44,45,47,52,81
+5VSUS	+5VSUS	18,66,81,90
+3V	+3V	33,42,44,45,47,53,54,76,78,84,91
+3VS	+3VS	8,12,15,16,17,18,20,21,31,32,33,35,37,39,42,44,47,49,50,51,52,53,56,57,59,70,72,76,80,82,90,91
+12VSUS	+12VSUS	81,91
+12V	+12V	42,51,57,91
+12VS	+12VS	27,32,33,57,68,91
+5V	+5V	33,42,54,62,85,89,91
+5VS	+5VS	17,18,32,35,37,42,56,57,59,60,66,72,80,91
+2.5VO	+2.5VO	84
+2.5VS	+2.5VS	8,12,24,27,42,56,84
+1.8VO	+1.8VO	83,91
+1.8V	+1.8V	8,11,20,21,22,42,53,83
+1.8VS	+1.8VS	27,91
+VCCP	+VCCP	4,5,7,9,11,12,15,18,39,42,82
+0.9VS	+0.9VS	22,28,29,42,83
BAT	BAT	68,87
+5VCHG	+5VCHG	87,89
+5VLCM	+5VLCM	66,89,90
+2.5VREF	+2.5VREF	84,89,90
+VSCORE	+VSCORE	5,80
+VGA_VCORE	+VGA_VCORE	24,27,85
+VRAM	+VRAM	24,25,27,28,29,42,85
+1.2VSP	+1.2VSP	24,26,27,86
+3VSG	+3VSG	24,27,30,91
BAT_CON	BAT_CON	68,87

FOR POWER TEST

R10.12



ASUS		Title : POWER_SIGNAL	
-<OrigName>		Engineer:	
Size	Project Name		Rev
Custom	F3Jr		2.0
Date: 11/11/2008		Sheet	93 of 94

<< Kennedy_Zhang >>

VF-CO-CC

Rev	Date	Description
1.0	10/12/06	1. Initial release.
1.1	11/03/06	1. Change L2412 Power from +3VSG to +3VSG_Delay and add JP3 default open. Page 24,27. 2. LVDDR power add L2717 connect to 1.8V for M8X. Page 27. 3. Add Q16 and THRO_CPU signal for battery temperature protection. Page 4,59. 4. Add PD5706 for power request. Page 87.
2.0	12/05/06	1. Add VGA Thermal Sensor connect to VGA GPIO17. Page 24.

Rev	Date	Description
1.0	10/12/06 Change from F3Ja R2.2	1. Change CE8,CE14 from 47uF to 100uF CAP EL 5*5.4 for cost down. Page 37,62. 2. Remove R231,R530,R232,R529 for Pannel ID. Page 33. 3. Change PCB_ID [2:0] to 000. Page 17. 4. Remove RN2, RN3, RN22, R225, R226, R547, R548, R174, R421, R565, R500 for cost down. Page 5,39,32,45,57,49. 5. Change R347, R525, R528, R414, R415, R417, R418 to Short Pad and default Open. Page 45, 56. 6. Change R437, R438, L5, L6, R257, R259, R266, R443, R159 to Short Pad and default Short. Page 59,12,39,44. 7. Change R531, R532, L85, R367, R368, L64, R535, R536, L99, R444, R446, L84, R449, R450, L86, R451, R453, L87, R454, R457, L90 to RN55, RN60, RN61, RN62, RN64, RN65. Page 33,35,52,78,62. 8. Add R5824,C2941 for sigmatel internal MIC. pull up power. Page 56. 9. Add R5824, R5825, R5826, R5827, R5828, R5829, L2905, L2906, L2907 for DVI EMI. Page 35. 10. USB of Finger Print Add C168, C619 0603 Size for EMI Request. Page 31. 11. Add R82 for support Clock Gen. ICS9LPR363. Page 39. 12. Remove PJP6300,PJP6301,PJP6302,PJP6303. Page 93.

		Title : History	
ASUSTek COMPUTER INC		Engineer: Frank Xu	
Size	Project Name		Rev
Custom	F3Jr		2.0
Date: 11/11/2006		Sheet	64 of 94

<< Kennedy_Zhang >>

VF-CC